



US00D749248S

(12) **United States Design Patent**  
**Gorsten Schuenemann et al.**

(10) **Patent No.:** **US D749,248 S**  
(45) **Date of Patent:** **\*\* Feb. 9, 2016**

(54) **TAILLIGHT FOR A VEHICLE**

(71) Applicant: **Daimler AG**, Stuttgart (DE)

(72) Inventors: **Felipe Gorsten Schuenemann**, Stuttgart (DE); **Oliver Stick**, Aidlingen (DE); **Benoit Tallec**, Boeblingen (DE); **Gorden Wagener**, Gaeufelden (DE)

(73) Assignee: **Daimler AG**, Stuttgart (DE)

(\*\*) Term: **14 Years**

(21) Appl. No.: **29/488,973**

(22) Filed: **Apr. 25, 2014**

(30) **Foreign Application Priority Data**

Oct. 25, 2013 (EM) ..... 002333468-0007

(51) **LOC (10) Cl.** ..... **26-06**

(52) **U.S. Cl.**  
USPC ..... **D26/28**

(58) **Field of Classification Search**  
USPC ..... D26/28-36; 362/459-468, 475-478, 362/485-487  
CPC ... F21S 48/1159; F21S 48/00; F21S 48/1241; F21S 48/10; F21S 48/1329; F21S 48/20; F21S 48/2225; F21S 48/1266  
See application file for complete search history.

(56) **References Cited**

**U.S. PATENT DOCUMENTS**

D282,923 S *	3/1986	Soederberg	.....	D12/183
D592,336 S *	5/2009	Hsu	.....	D26/28
D614,329 S *	4/2010	Ectors et al.	.....	D26/28
D641,505 S *	7/2011	Futschik et al.	.....	D26/28
D646,814 S *	10/2011	Goplen	.....	D26/28
D674,934 S *	1/2013	Sakakibara	.....	D26/28

D683,876 S *	6/2013	Platto et al.	.....	D26/28
D708,770 S *	7/2014	Lai	.....	D26/28
D714,976 S *	10/2014	Lee et al.	.....	D26/28
D714,978 S *	10/2014	Lee et al.	.....	D26/28
D725,805 S *	3/2015	Dickman et al.	.....	D26/28
D726,351 S *	4/2015	Kato	.....	D26/28
2014/0252949 A1 *	9/2014	Ko et al.	.....	362/518

**OTHER PUBLICATIONS**

“Mercedes-Benz Vans, World premiere of the new Mercedes-Benz V-Class,” Press Information, Mercedes-Benz, Jan. 30, 2014.

\* cited by examiner

*Primary Examiner* — Cynthia Ramirez

*Assistant Examiner* — Llorellys Martinez-Rivera

(74) *Attorney, Agent, or Firm* — Crowell & Moring LLP

(57) **CLAIM**

The ornamental design for a taillight for a vehicle, as shown and described.

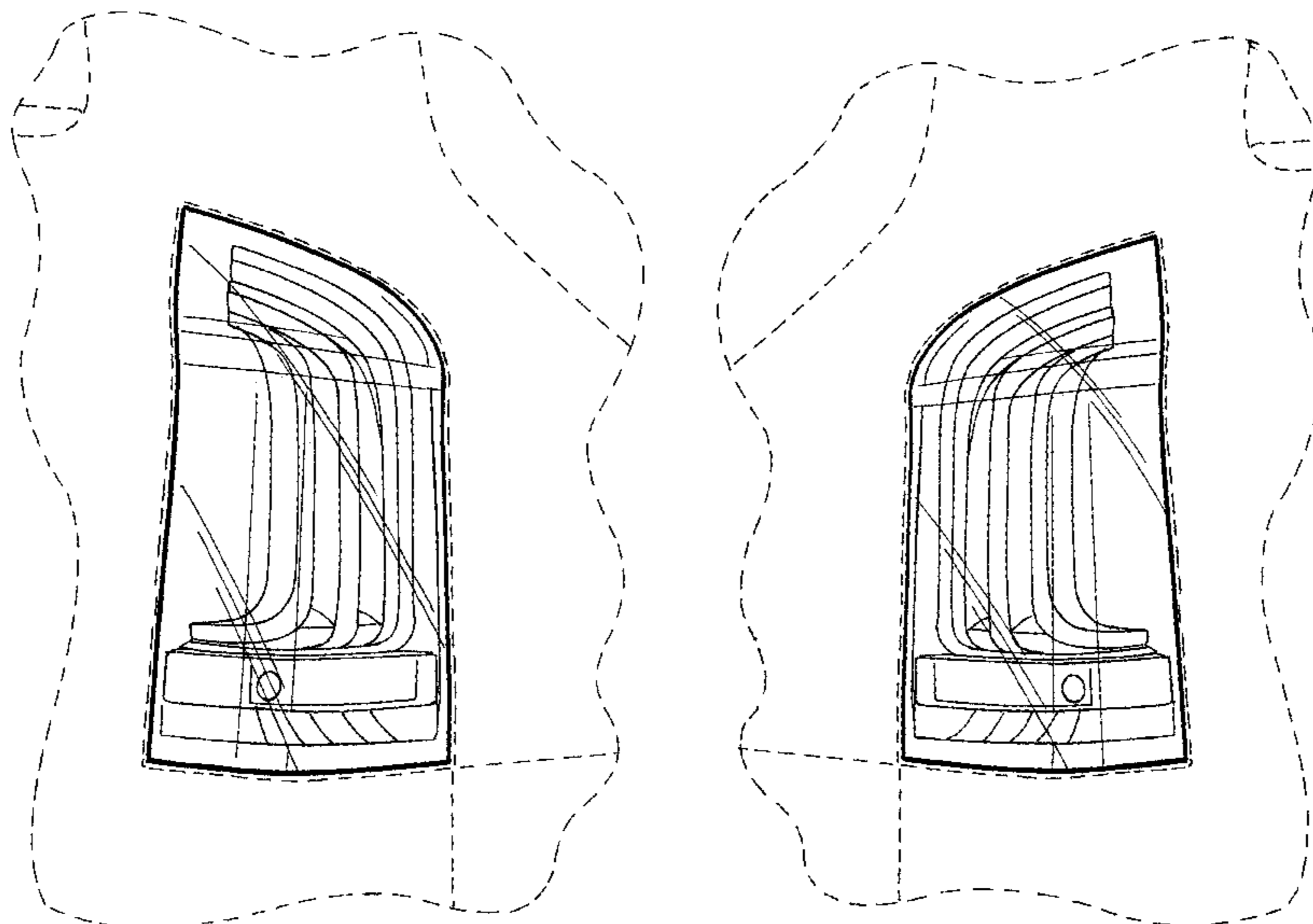
**DESCRIPTION**

This application contains subject matter related to the following co-pending U.S. design patent application: Application Ser. No. 29/488,972, filed herewith and entitled “Taillight for a Vehicle”.

FIG. 1 is a left perspective view of a first embodiment of a taillight for a vehicle according to the design; FIG. 2 is a front view thereof; and FIG. 3 is a left side view thereof. FIG. 4 is a right perspective view of a second embodiment of the taillight for a vehicle according to the design; FIG. 5 is a front view thereof; and, FIG. 6 is a right side view thereof.

The broken line portions shown in FIGS. 1 through 6 illustrate portions of the taillight for a vehicle which form no part of the claimed design.

**1 Claim, 4 Drawing Sheets**



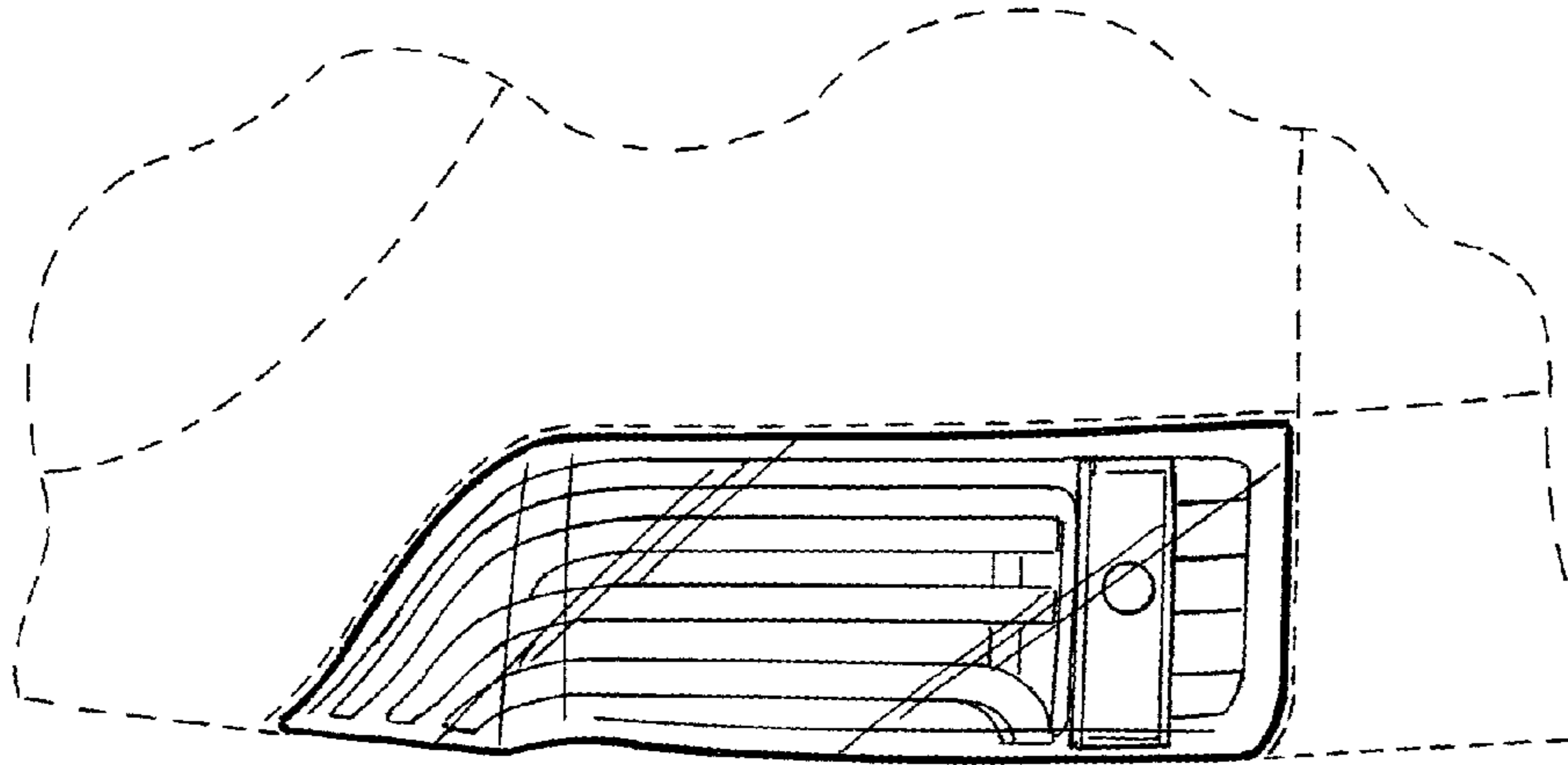


FIG. 2

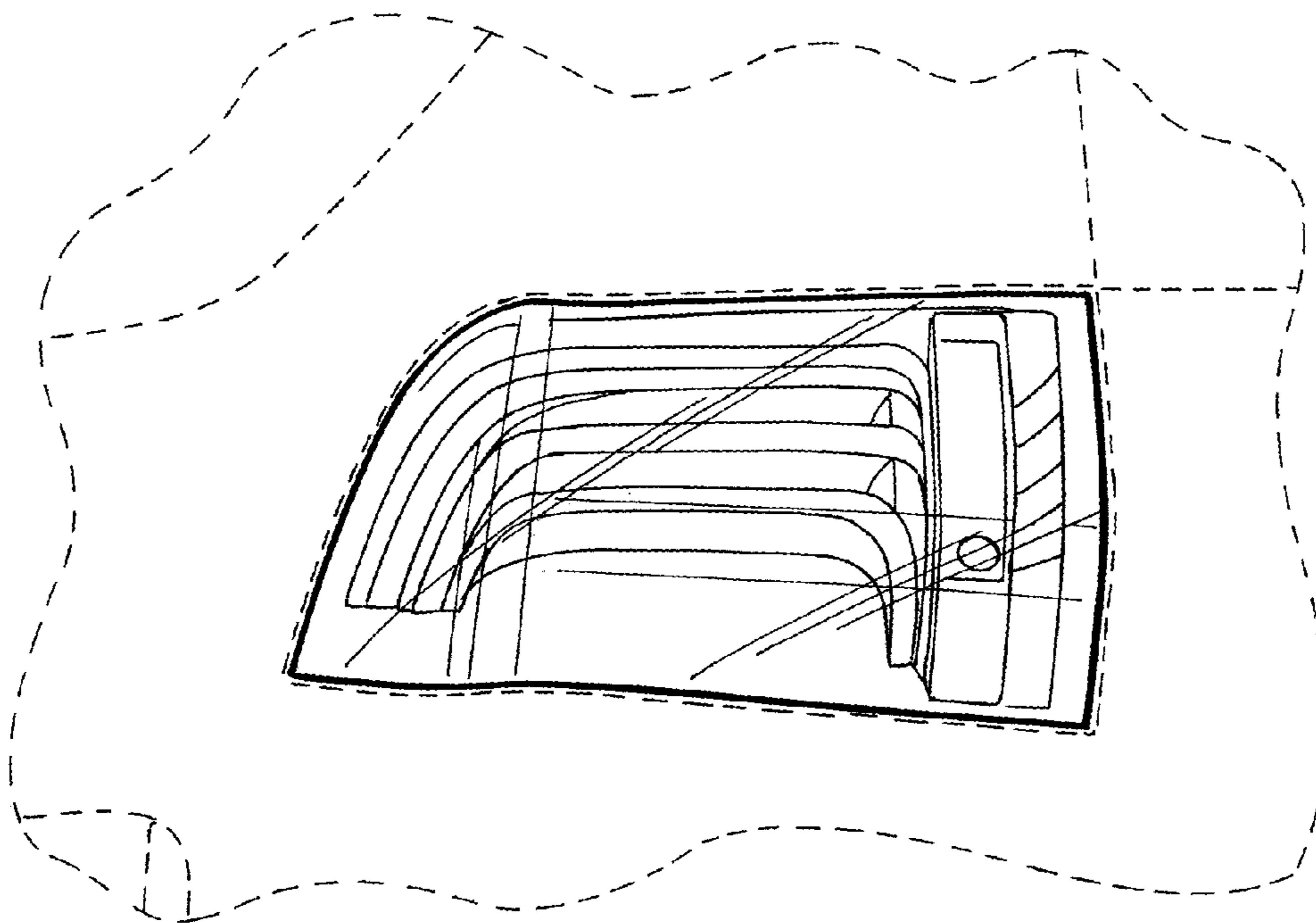


FIG. 1

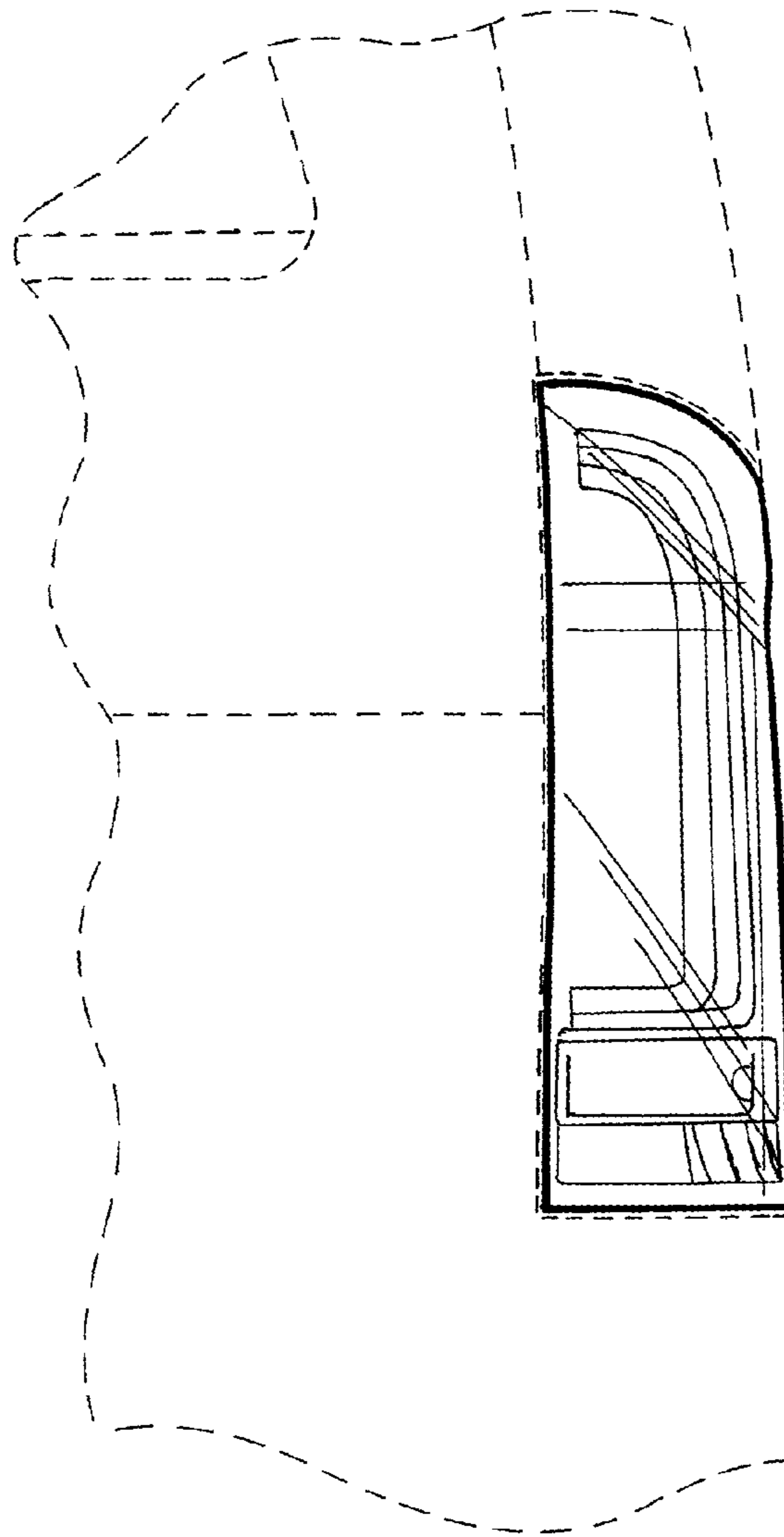


FIG. 3

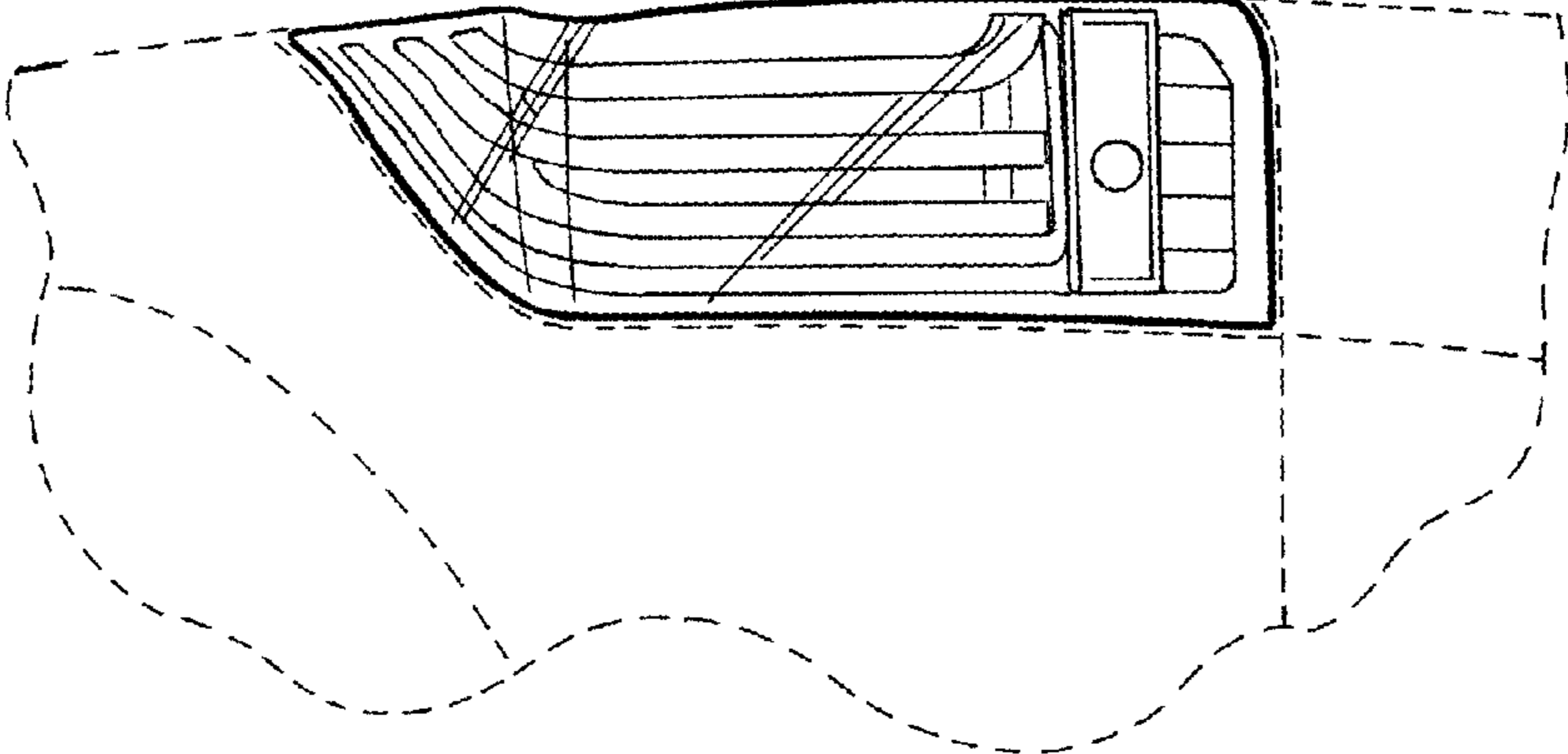


FIG. 5

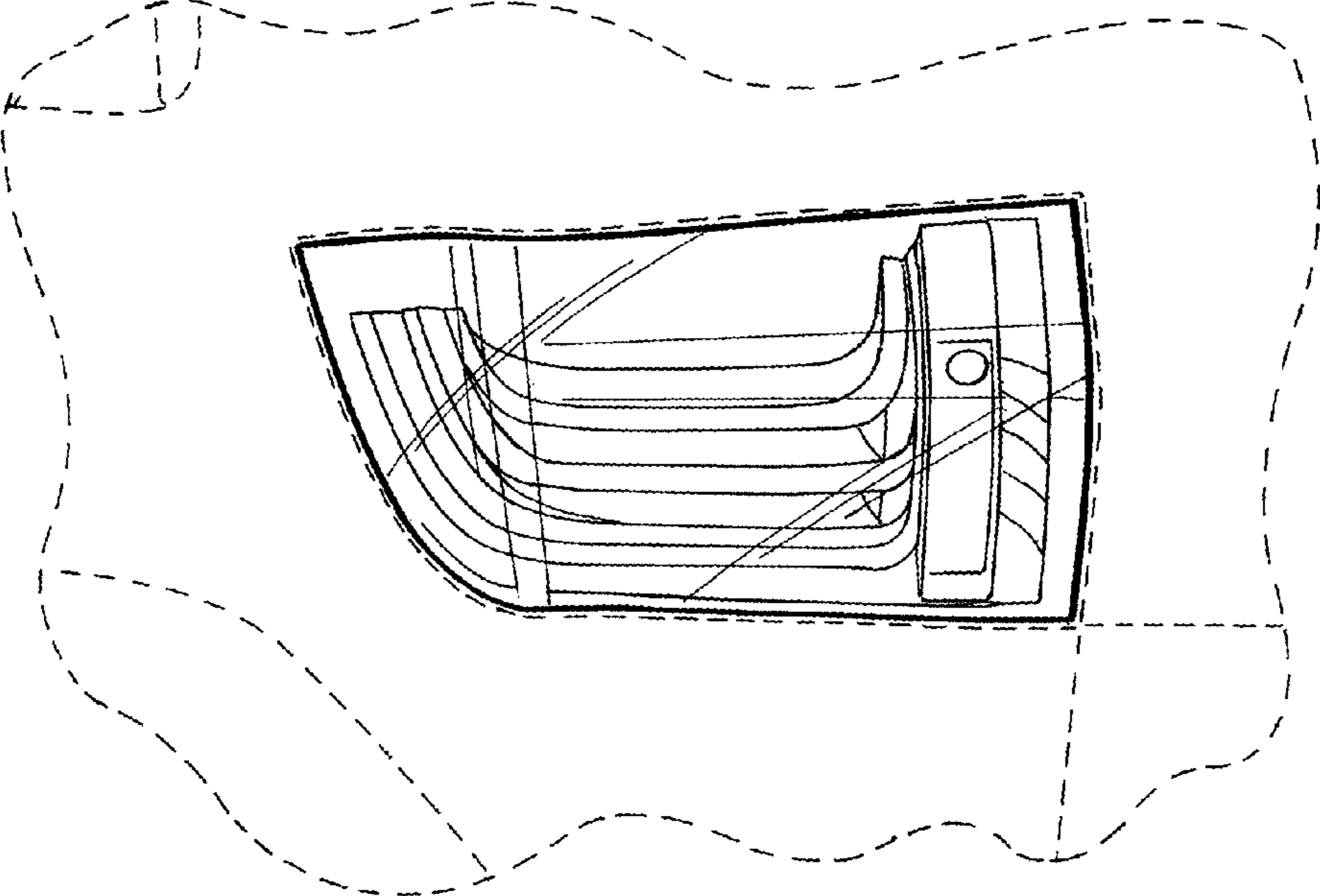


FIG. 4

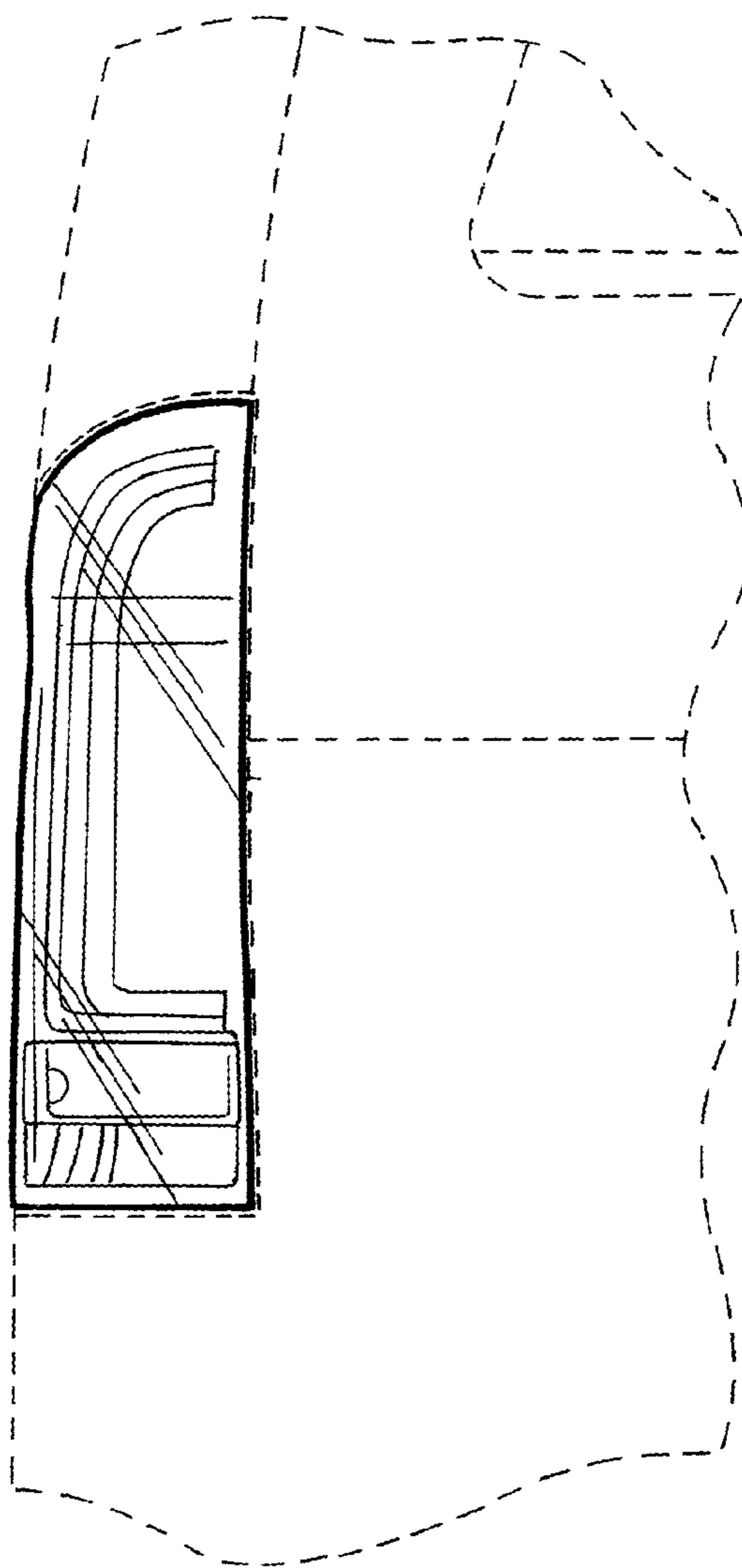


FIG. 6