



US00D749244S

(12) **United States Design Patent**  
**Miyamichi**

(10) **Patent No.:** **US D749,244 S**  
(45) **Date of Patent:** **\*\* Feb. 9, 2016**

(54) **LED LAMP**

(71) Applicant: **M-SYSTEM CO., LTD.**, Abeno-ku,  
Osaka-shi, Osaka (JP)

(72) Inventor: **Saburo Miyamichi**, Osaka (JP)

(73) Assignee: **M-SYSTEM CO., LTD.**, Osaka-Shi,  
Osaka (JP)

(\*\*) Term: **14 Years**

(21) Appl. No.: **29/497,667**

(22) Filed: **Jul. 28, 2014**

(30) **Foreign Application Priority Data**

Jan. 30, 2014 (JP) ..... D2014-001842

(51) **LOC (10) Cl.** ..... **26-04**

(52) **U.S. Cl.**  
USPC ..... **D26/3**

(58) **Field of Classification Search**  
USPC ..... D26/1-4; 313/313, 315, 316, 317, 318,  
313/493; 315/52, 53, 56, 57, 58  
CPC ..... H01J 5/48; H01J 5/50; H01J 19/54;  
F21V 5/00  
See application file for complete search history.

(56) **References Cited**

**U.S. PATENT DOCUMENTS**

D584,429 S \* 1/2009 Pei ..... D26/3  
D606,673 S \* 12/2009 Kao ..... D26/3

**FOREIGN PATENT DOCUMENTS**

JP D1347329 12/2008  
JP D1509993 10/2014  
TW D145693 3/2012

**OTHER PUBLICATIONS**

TW office action of Appln. No. 103304467 dated Mar. 11, 2015.

*Primary Examiner* — Marcus Jackson

(74) *Attorney, Agent, or Firm* — Fitch, Even, Tabin and  
Flannery LLP

(57) **CLAIM**

The ornamental design for an LED lamp, as shown and  
described.

**DESCRIPTION**

FIG. 1 is a front view of a light emitting diode (LED) lamp of  
the present invention.

FIG. 2 is a rear view of the LED lamp of FIG. 1.

FIG. 3 is a top plan view of the LED lamp of FIG. 1.

FIG. 4 is a bottom view of the LED lamp of FIG. 1.

FIG. 5 is a right side view of the LED lamp of FIG. 1.

FIG. 6 is a left side view of the LED lamp of FIG. 1.

FIG. 7 is a top perspective view of the LED lamp of FIG. 1.

FIG. 8 is a bottom perspective view of the LED lamp of FIG.  
1.

FIG. 9 is an enlarged front view of the LED lamp, taken along  
the line 9-9 of FIG. 1.

FIG. 10 is an enlarged rear view of the LED lamp, taken along  
the line 10-10 of FIG. 2.

FIG. 11 is an enlarged top plan view of the LED lamp, taken  
along the line 11-11 of FIG. 3.

FIG. 12 is an enlarged bottom view of the LED lamp, taken  
along the line 12-12 of FIG. 4.

FIG. 13 is an enlarged right side view of the LED lamp of FIG.  
1.

FIG. 14 is an enlarged top perspective view of the LED lamp,  
taken along the line 14-14 of FIG. 7.

FIG. 15 is an enlarged bottom perspective view of the LED  
lamp, taken along the line 15-15 of FIG. 8.

FIG. 16 is an enlarged front view of the LED lamp, taken  
along the line 16-16 of FIG. 9.

FIG. 17 is an enlarged bottom view of the LED lamp, taken  
along the line 17-17 of FIG. 12.

FIG. 18 is a front view of the LED lamp of FIG. 1, with the  
sliding tube 2 in a rotated position.

FIG. 19 is an enlarged view of the LED lamp, taken along the  
line 19-19 of FIG. 18.

FIG. 20 is a front view of the LED lamp of FIG. 1, with the  
sliding tube 2 in a rotated position and the main tube 2 in a  
shortened position.

FIG. 21 is an enlarged view of the LED lamp, taken along the  
line 21-21 of FIG. 20.

FIG. 22 is a front view of the LED lamp of FIG. 1, with the  
main tube 2 in a shortened position.

FIG. 23 is an enlarged view of the LED lamp, taken along the line 23-23 of FIG. 22.

FIG. 24 is a front view of the LED lamp of FIG. 1, with the main tube 2 and the cap in a shortened position.

FIG. 25 is an enlarged view of the LED lamp, taken along the line 25-25 of FIG. 24.

FIG. 26 is an enlarged sectional view of the LED lamp, taken along the lines 26-26 of FIG. 24, with some parts of inner mechanisms omitted.

The features shown in broken lines of FIGS. 1-26 depict environmental subject matter only and form no part of the claimed design.

FIG. 27 is a reference front view of the LED lamp of FIG. 1, wherein the name of each part are shown and the semi-transparent parts are shown by oblique parallel lines; and,

FIG. 28 is a reference bottom view of the LED lamp of FIG. 1, wherein the name of each part are shown and the semi-transparent parts are shown by oblique parallel lines.

FIGS. 27 and 28 are for illustrative purpose only and form no part of the claimed design.

**1 Claim, 28 Drawing Sheets**

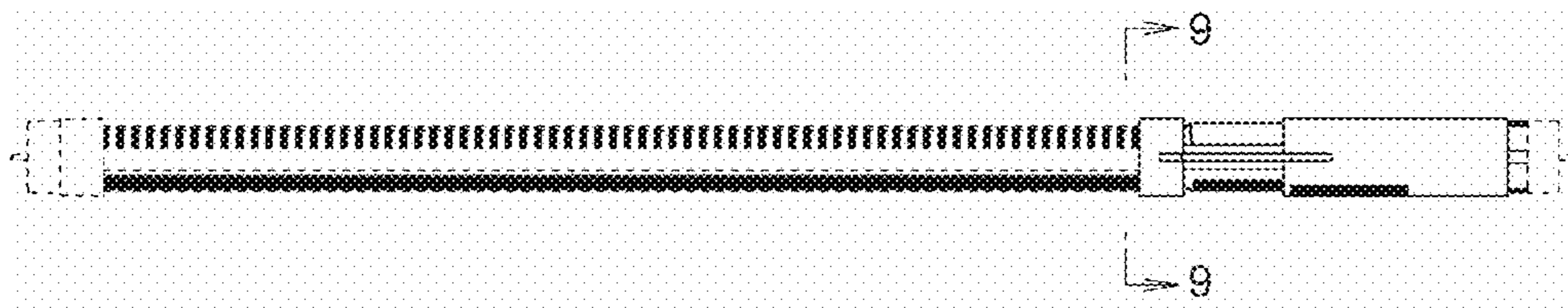


FIG. 1

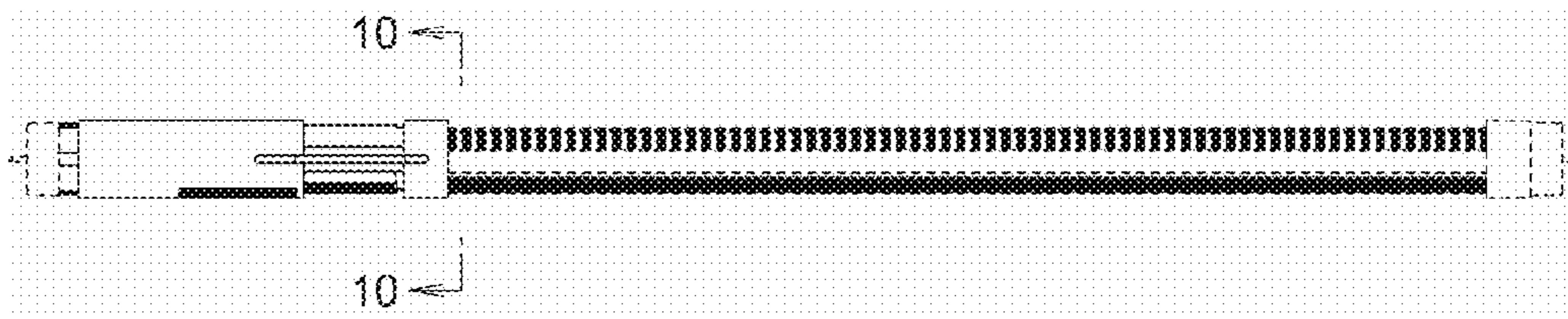


FIG. 2

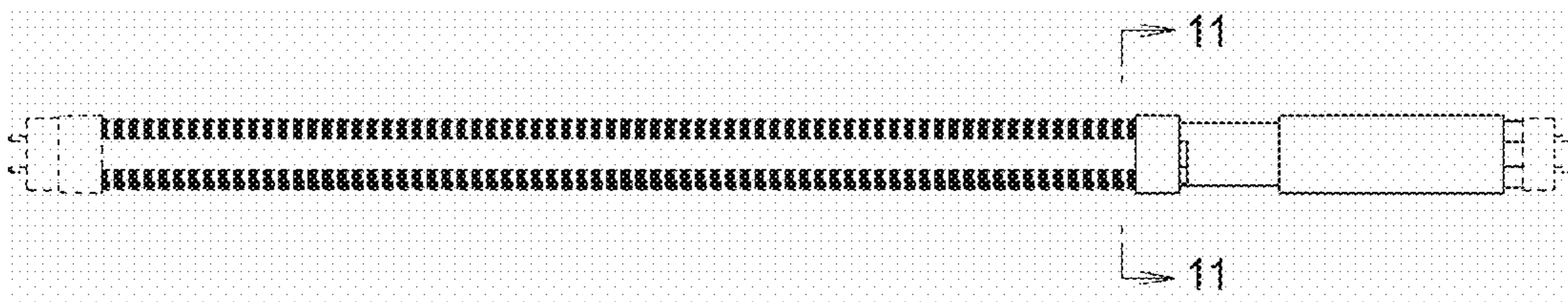


FIG. 3

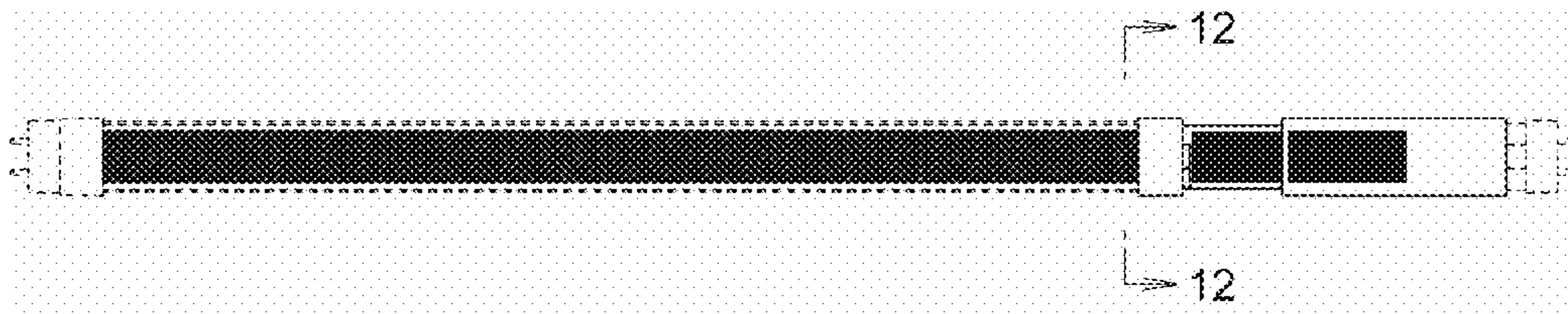


FIG. 4



FIG. 5



FIG. 6



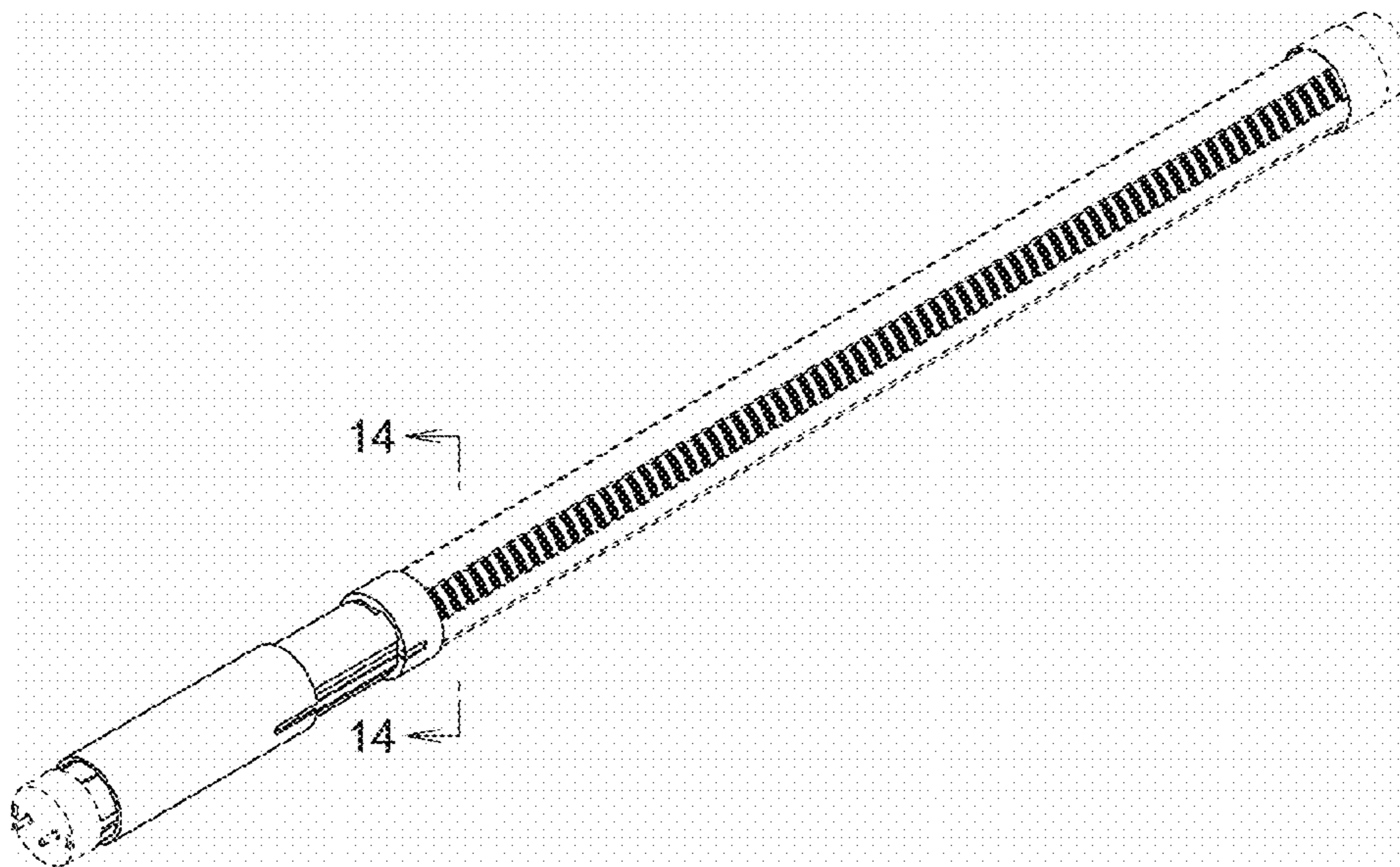


FIG. 7

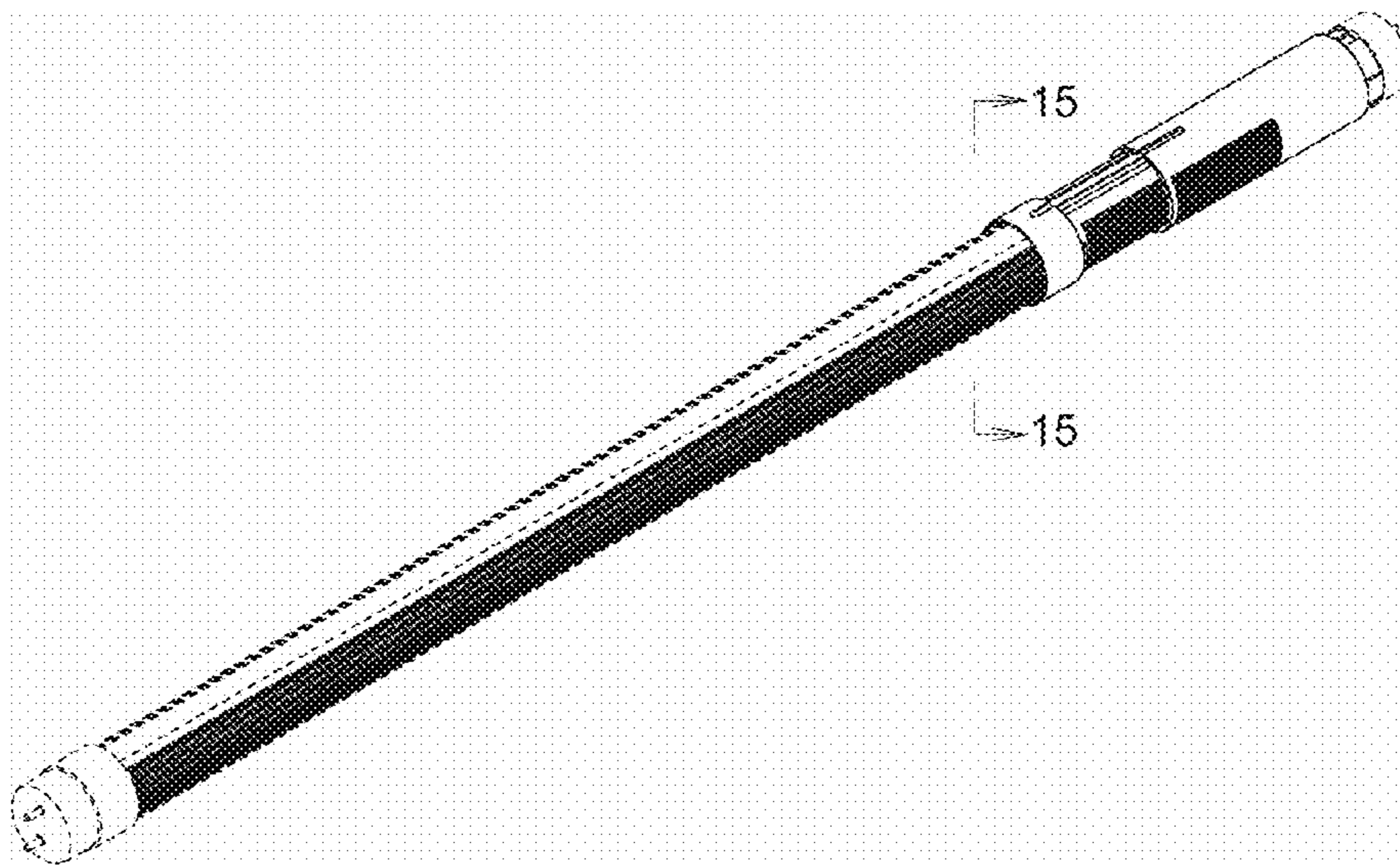


FIG. 8

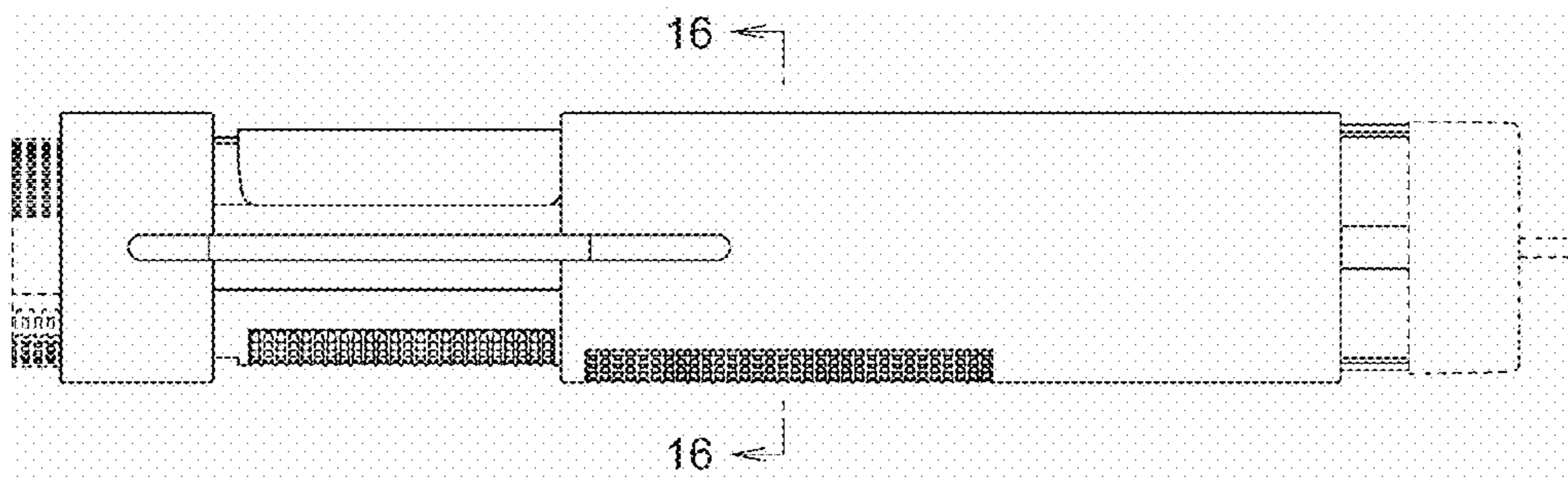


FIG. 9

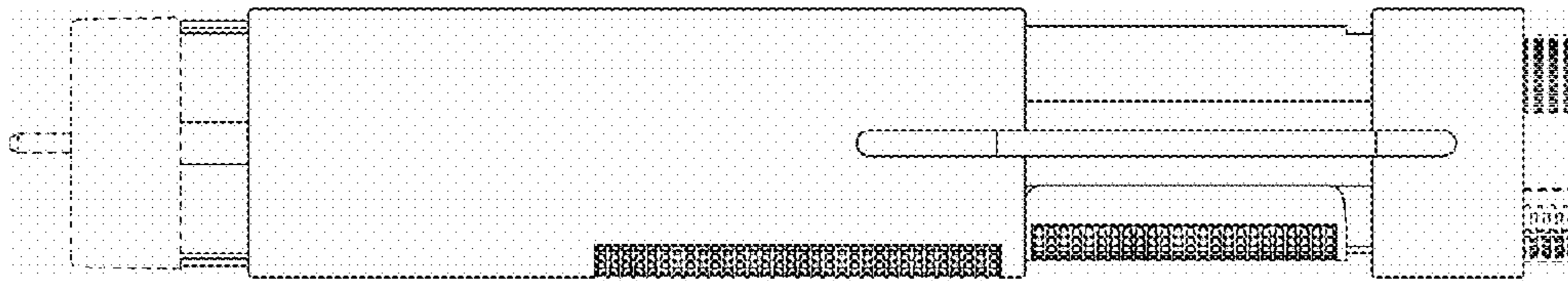


FIG. 10

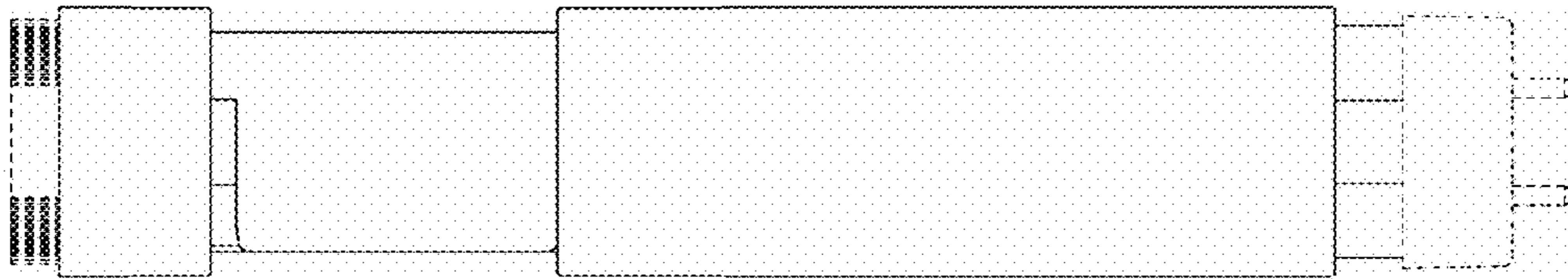


FIG. 11

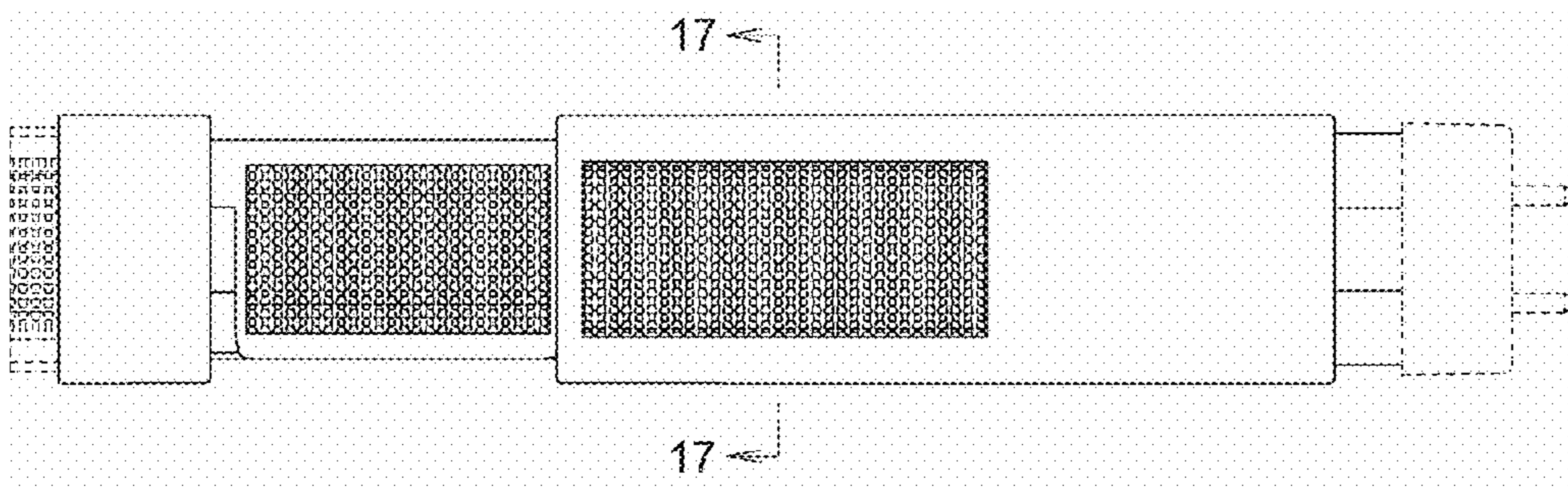


FIG. 12

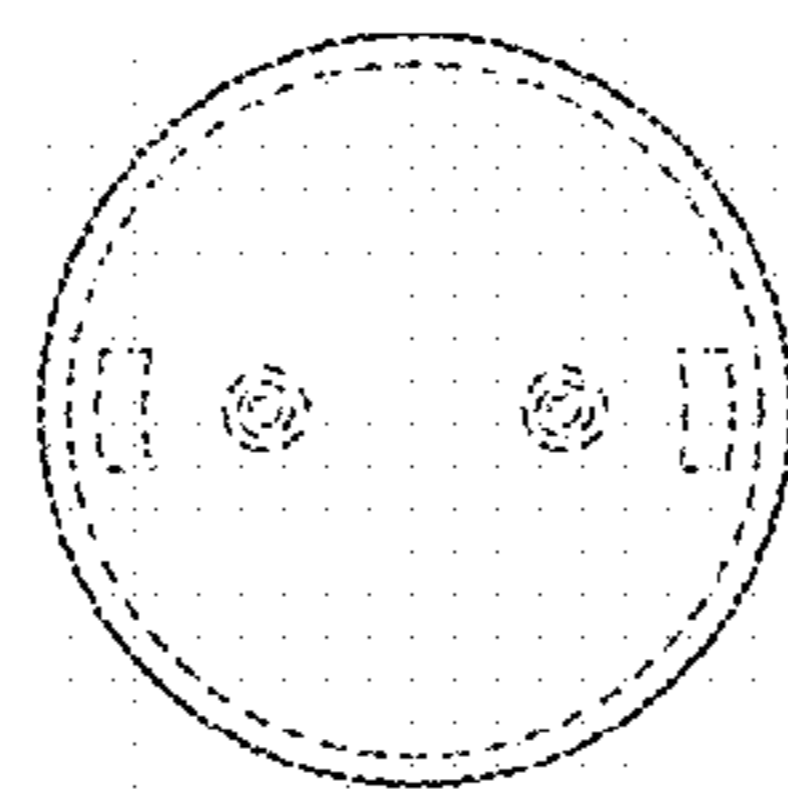


FIG. 13

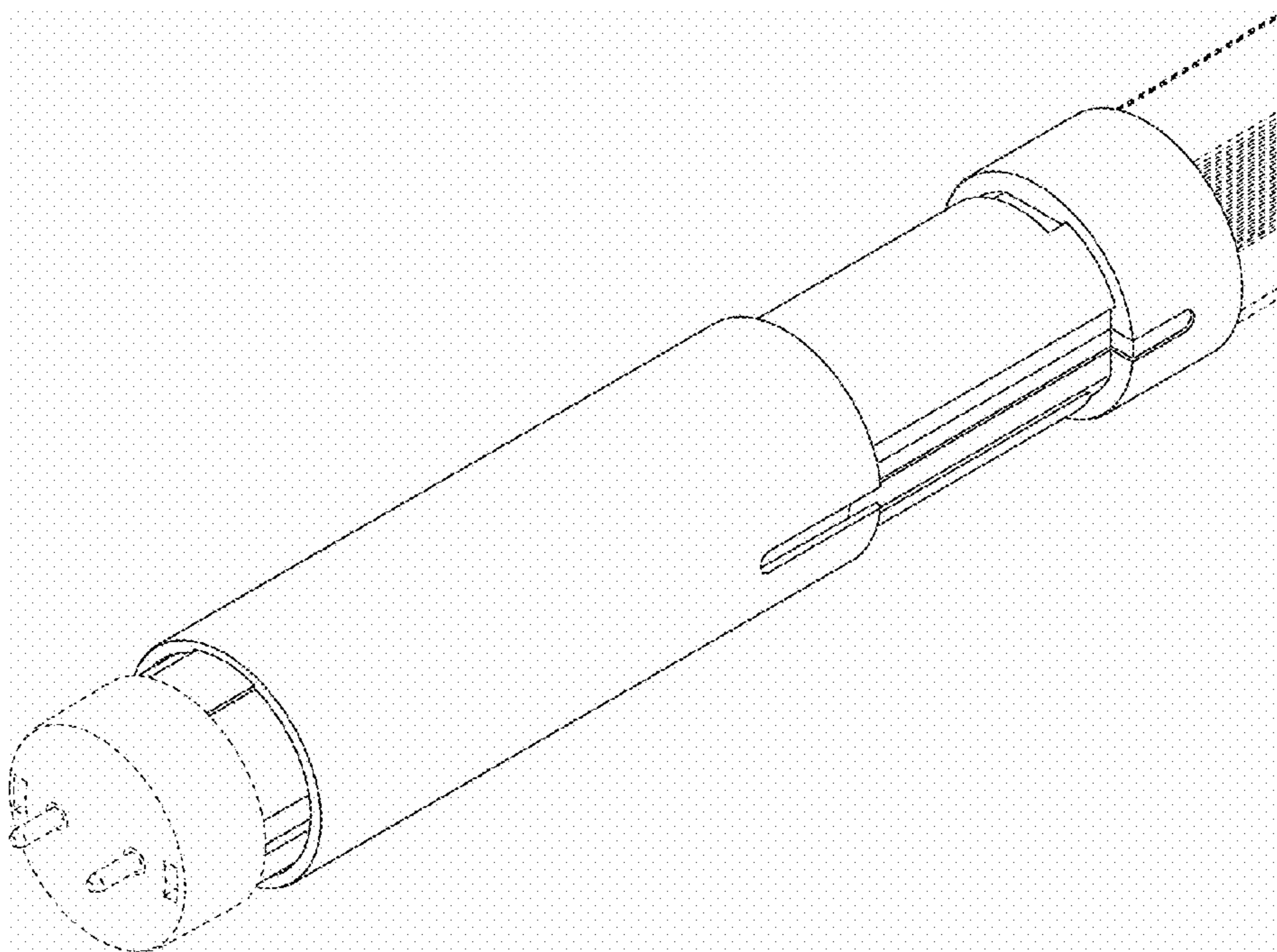


FIG. 14



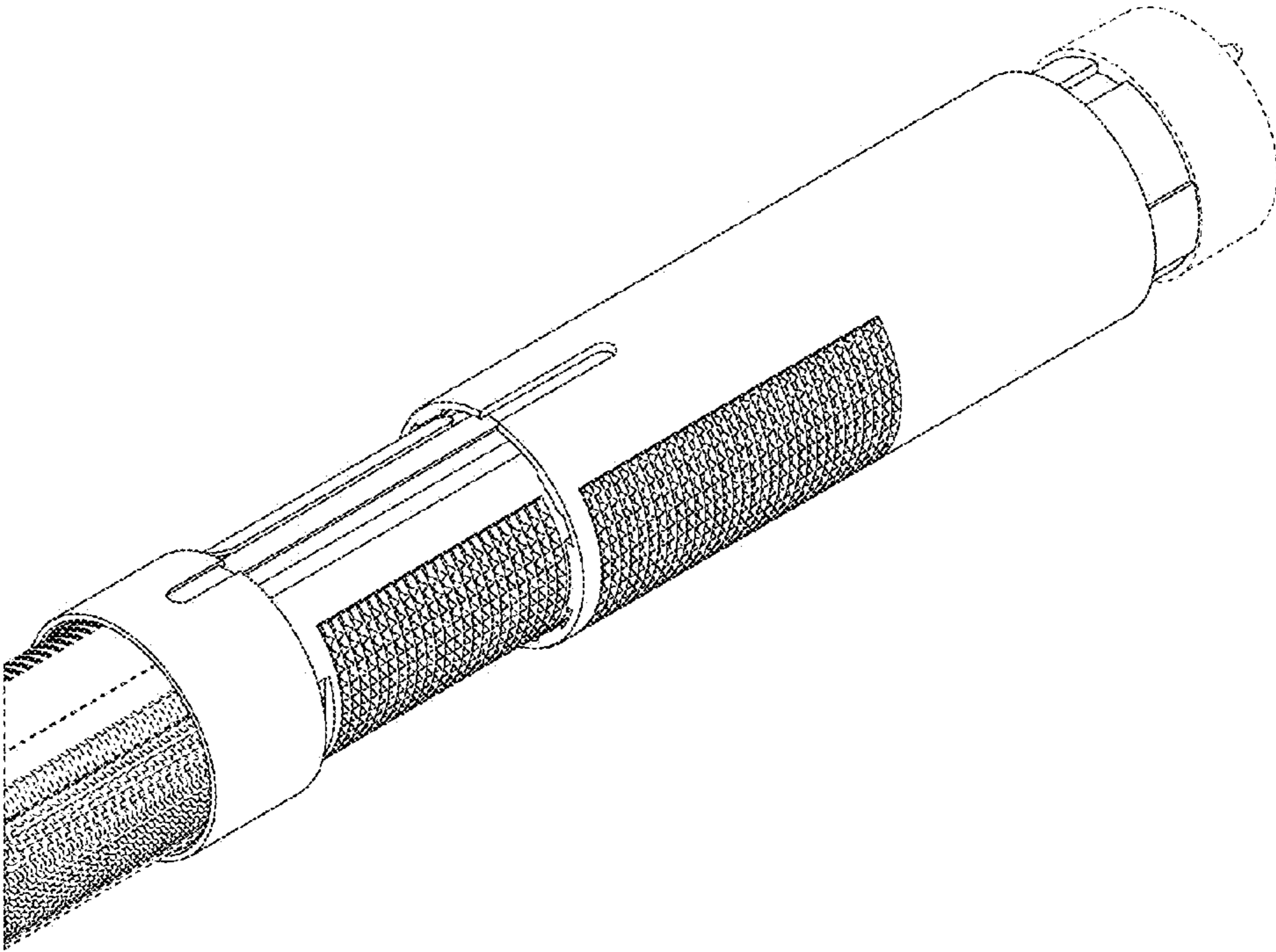


FIG. 15

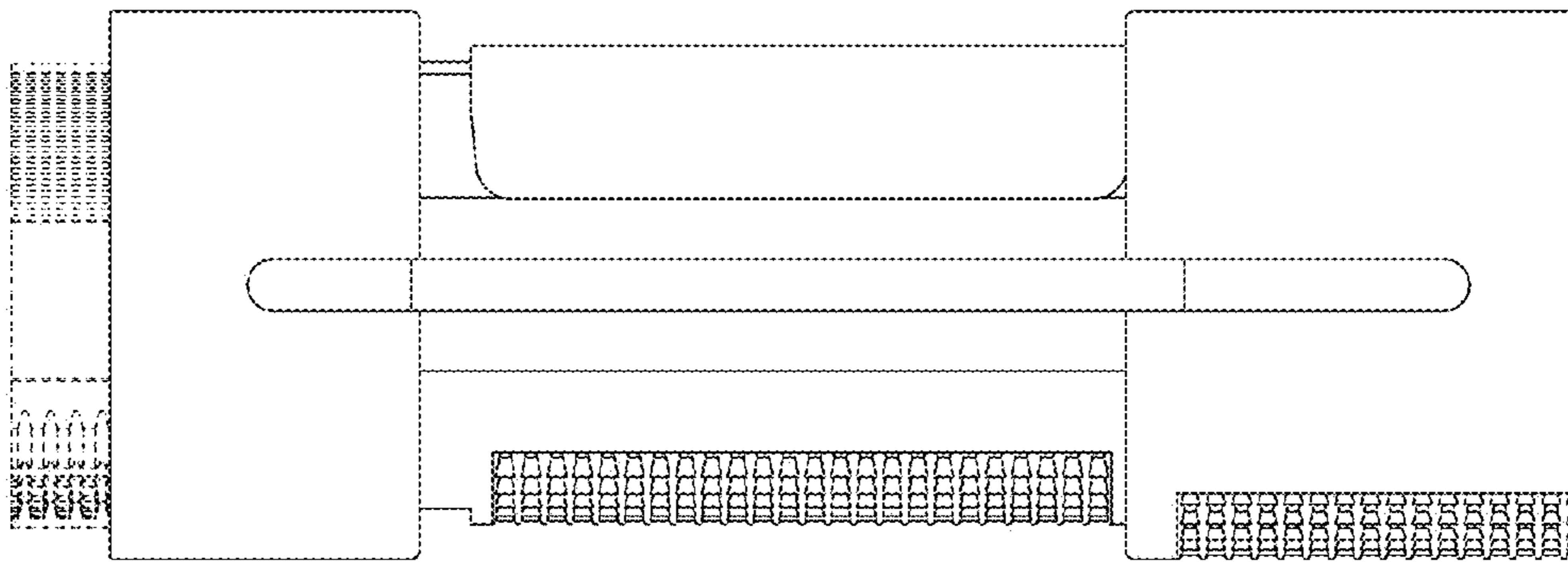


FIG. 16

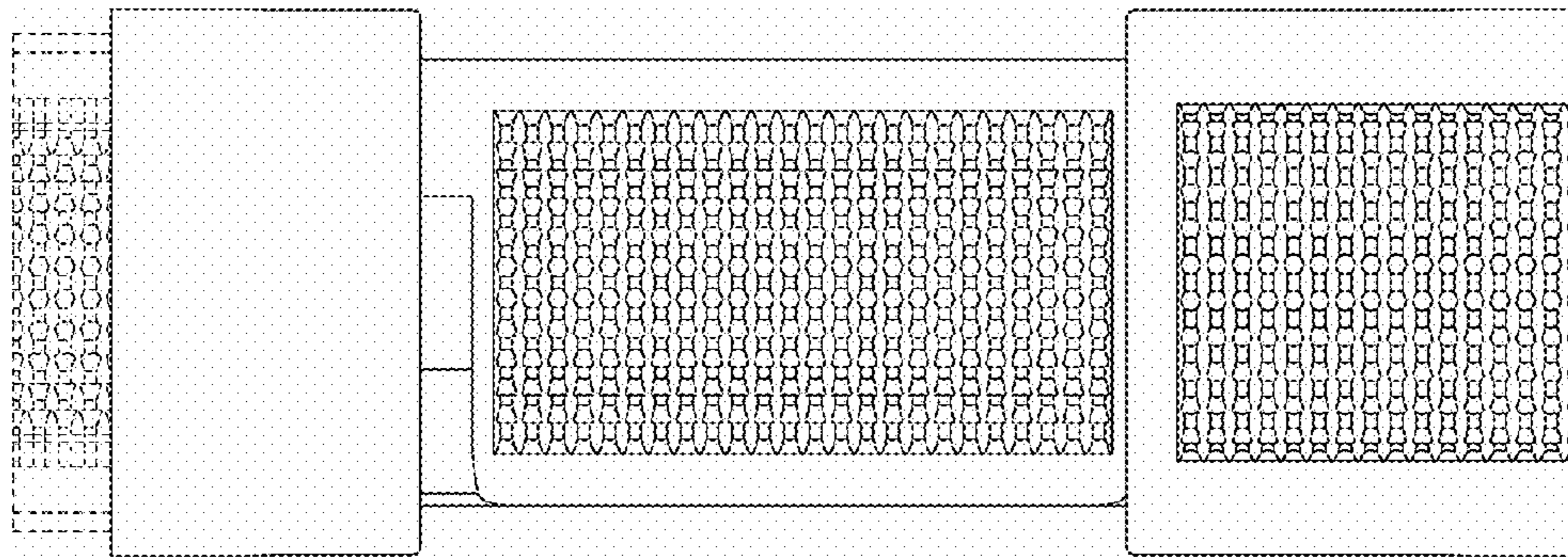


FIG. 17

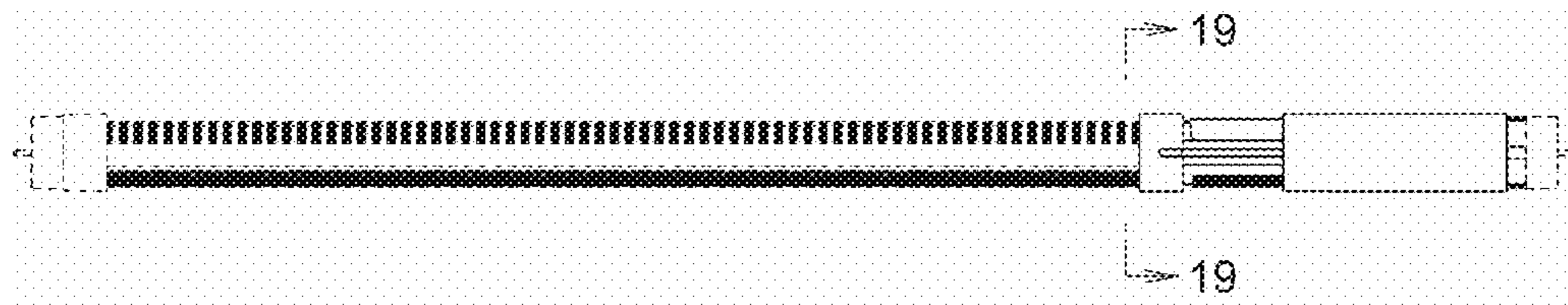


FIG. 18

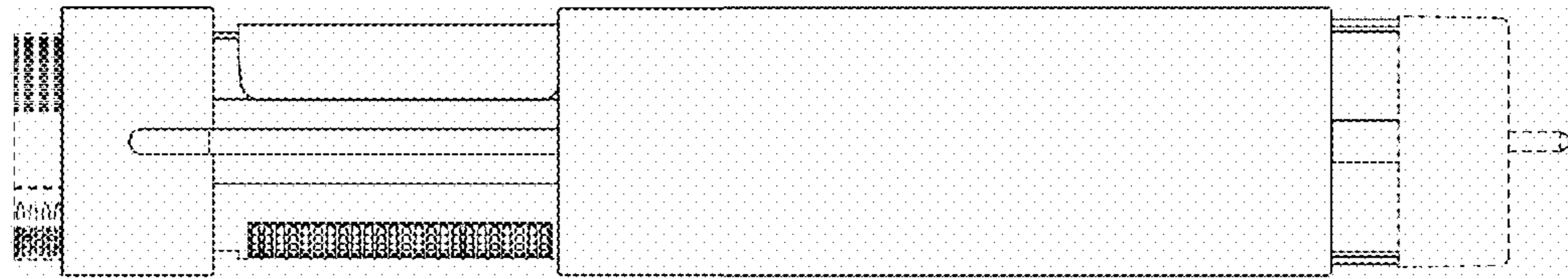


FIG. 19

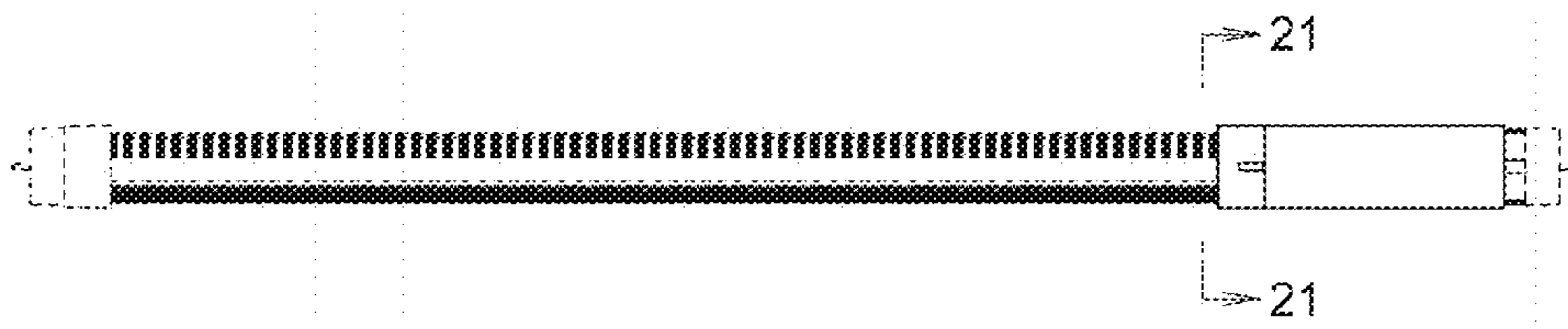


FIG. 20

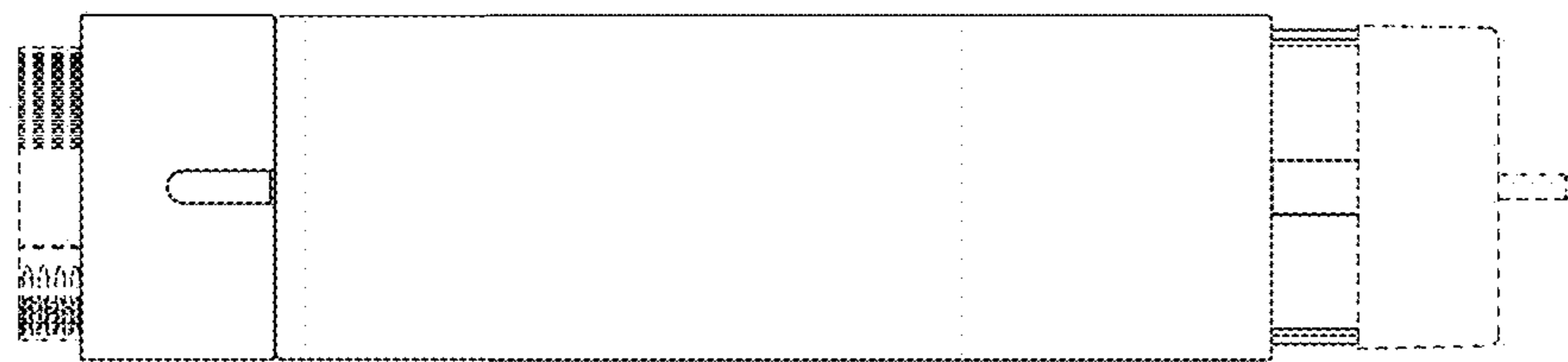


FIG. 21

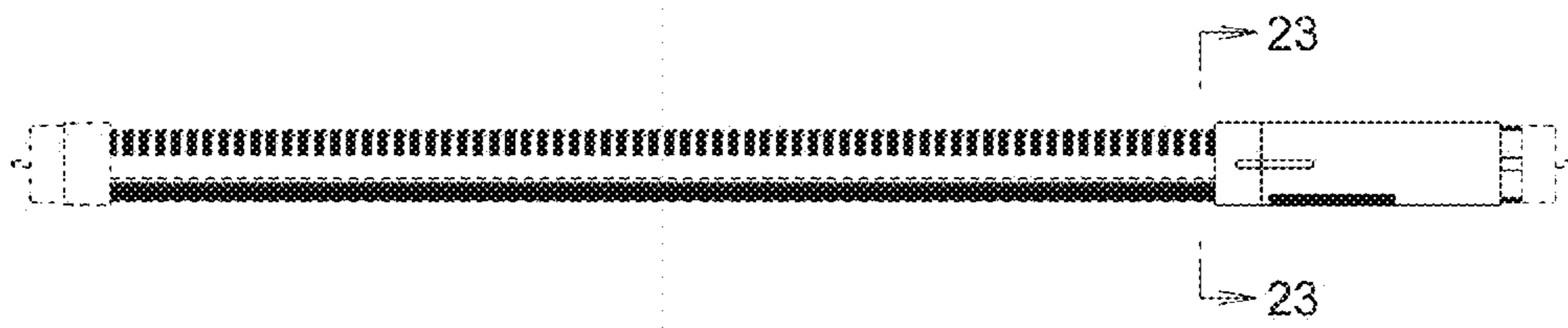


FIG. 22



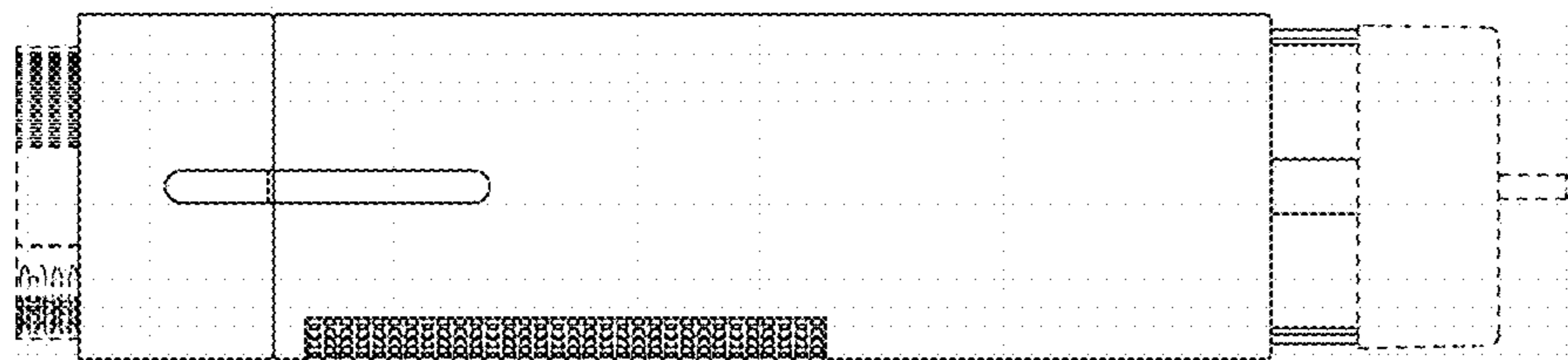


FIG. 23

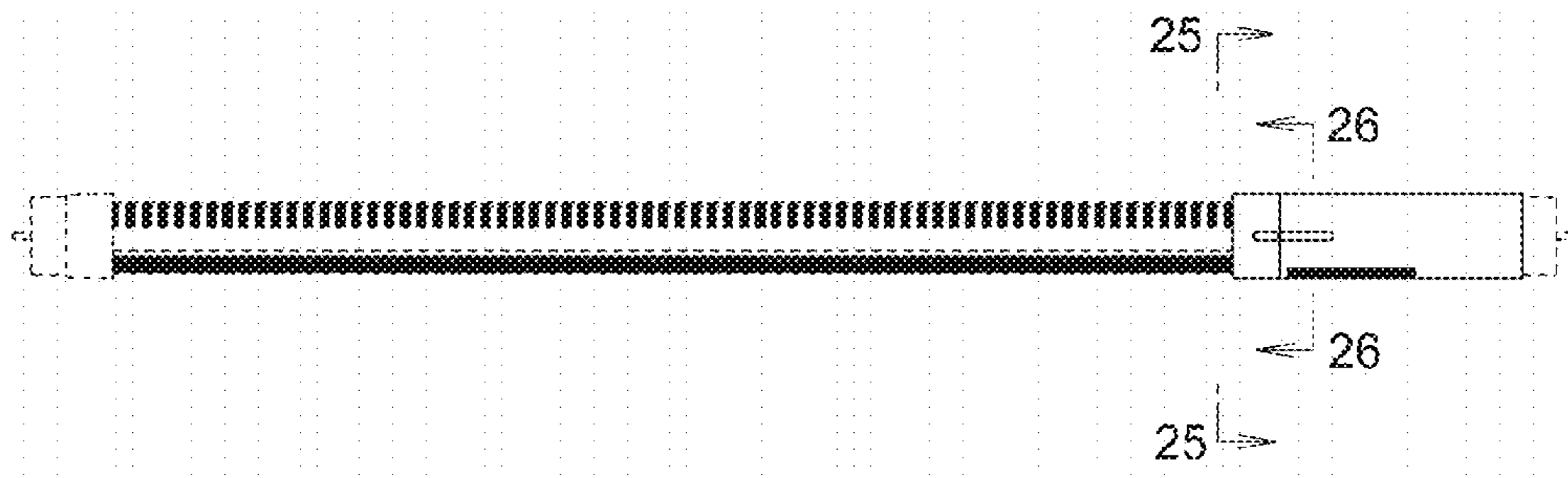


FIG. 24

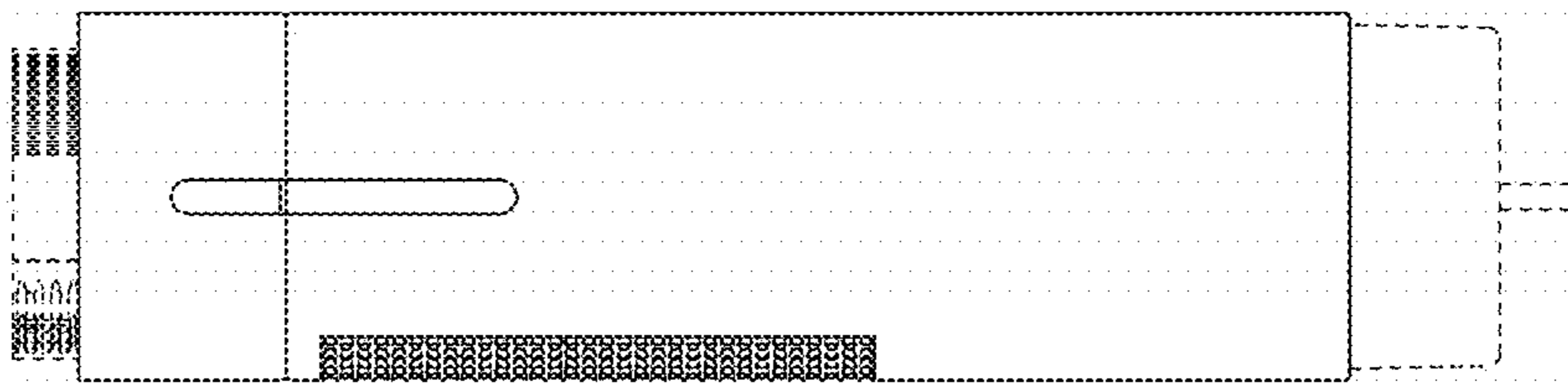


FIG. 25

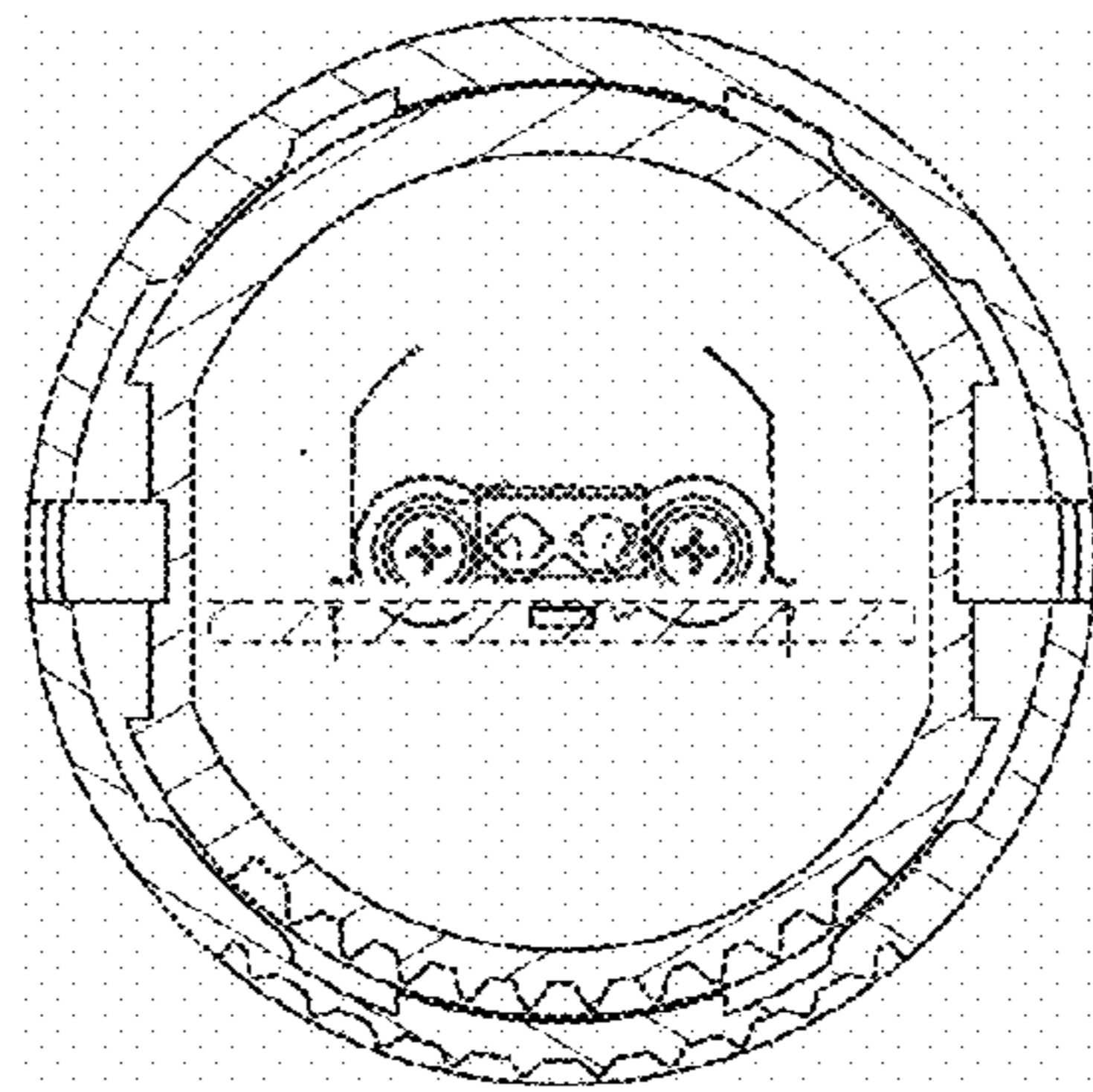


FIG. 26

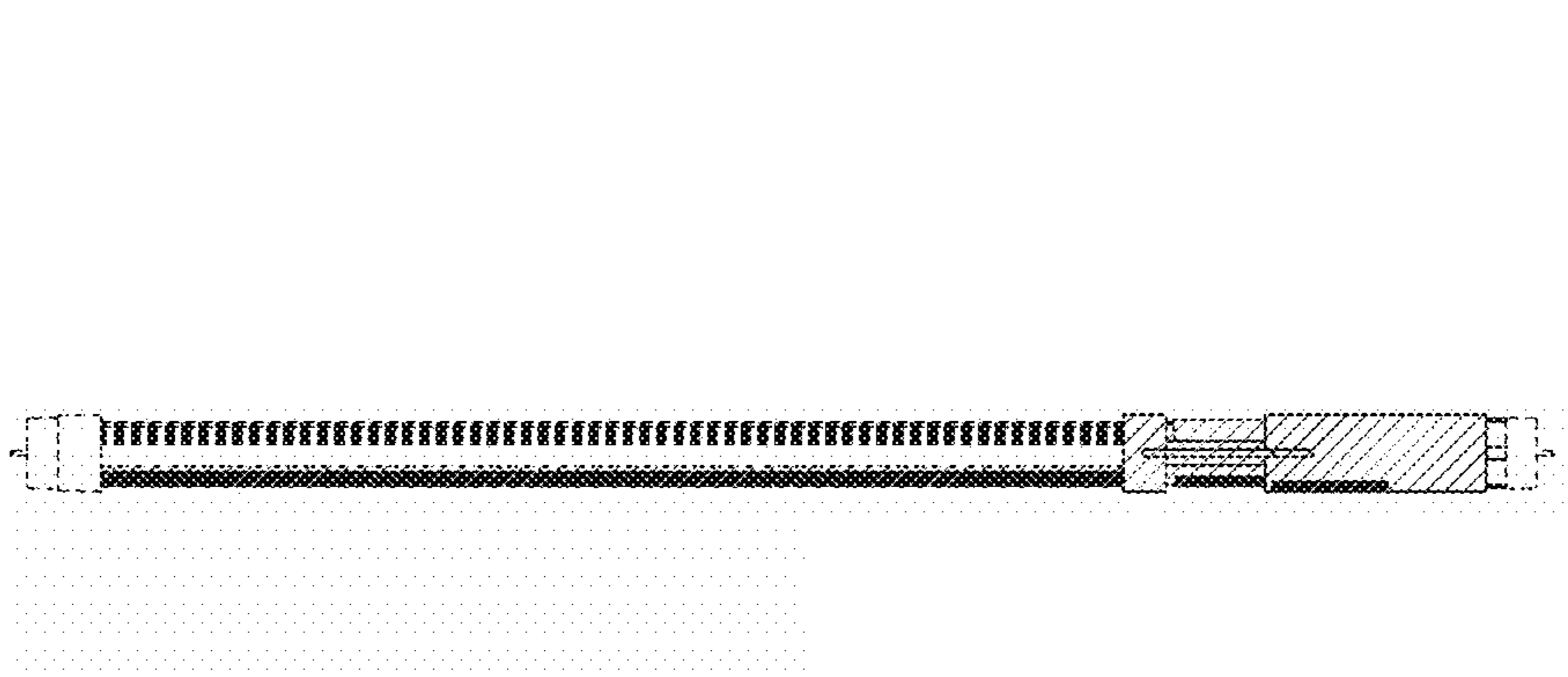


FIG. 27

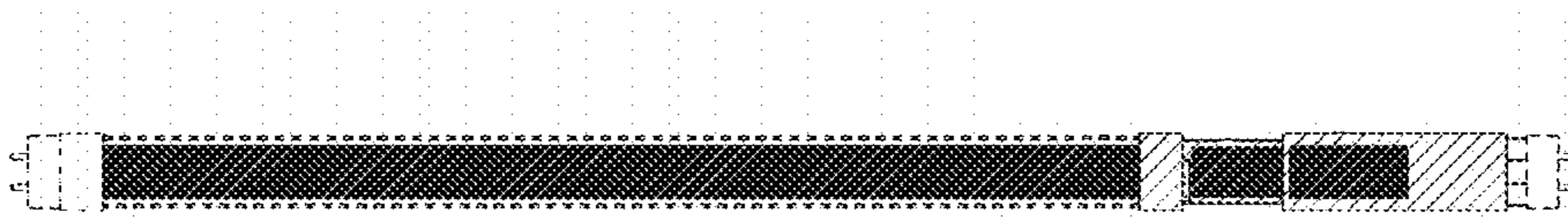


FIG. 28