



US00D749241S

(12) **United States Design Patent**
Zhang

(10) **Patent No.:** **US D749,241 S**
(45) **Date of Patent:** **** Feb. 9, 2016**

(54) **LED LAMP**

(71) Applicant: **OSRAM GmbH**, Munich (DE)

(72) Inventor: **HongWei Zhang**, Guangdong (CN)

(73) Assignee: **OSRAM GmbH**, Munich (DE)

(**) Term: **14 Years**

(21) Appl. No.: **29/482,024**

(22) Filed: **Feb. 13, 2014**

(30) **Foreign Application Priority Data**

Aug. 20, 2013 (EM) 001382139

(51) **LOC (10) Cl.** **26-04**

(52) **U.S. Cl.**
USPC **D26/2**

(58) **Field of Classification Search**
USPC D26/1-4, 113, 118; 313/313, 315, 316,
313/317, 318, 493; 315/52, 53, 56, 57, 58
CPC F21K 9/135; F21K 9/1375; F21K 9/13
See application file for complete search history.

(56) **References Cited**

U.S. PATENT DOCUMENTS

D657,075 S * 4/2012 Guohui D26/2
D659,862 S * 5/2012 Tsai D26/2
D665,107 S * 8/2012 Tu D26/2
D667,148 S * 9/2012 Chun et al. D26/2

D675,367 S * 1/2013 Maxik D26/118
D687,983 S * 8/2013 Guo et al. D26/2
D688,389 S * 8/2013 Lee D26/2
D695,425 S * 12/2013 Su D26/2
D703,843 S * 4/2014 Cheng D26/2
D707,859 S * 6/2014 Yang et al. D26/2
D709,640 S * 7/2014 Maxik et al. D26/113
D725,801 S * 3/2015 Lee et al. D26/2
D728,130 S * 4/2015 Hockemeyer D26/2

* cited by examiner

Primary Examiner — Ian Simmons

Assistant Examiner — Harold Blackwell, II

(74) *Attorney, Agent, or Firm* — Viering, Jentschura & Partner

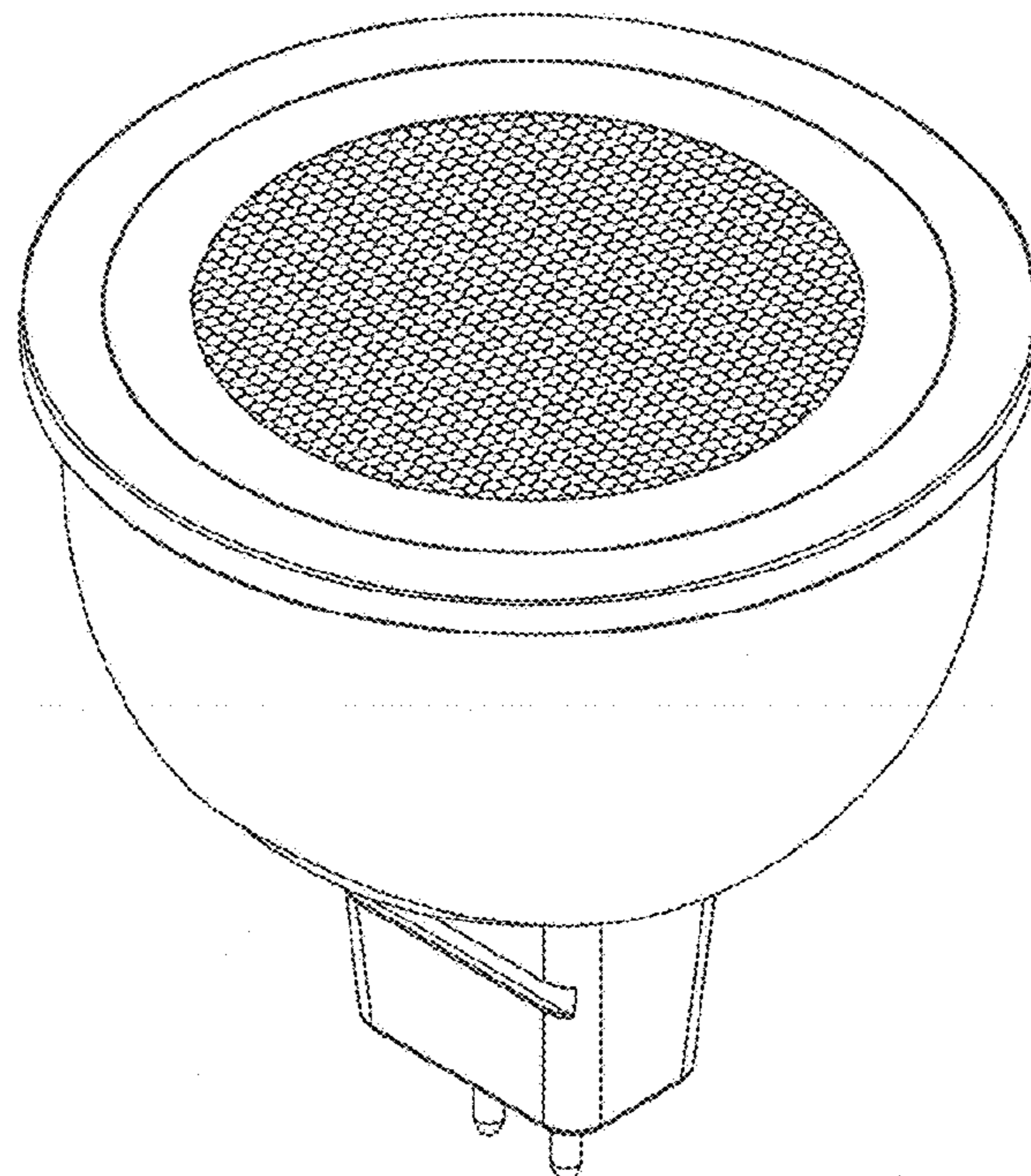
(57) **CLAIM**

The ornamental design for a LED lamp, as shown and described.

DESCRIPTION

FIG. 1 is a perspective view of a LED lamp showing our new design,
FIG. 2 is a front view of the LED lamp according to FIG. 1;
FIG. 3 is a right side view of the LED lamp according to FIG. 1;
FIG. 4 is a back view of the LED lamp according to FIG. 1;
FIG. 5 is a left side view of the LED lamp according to FIG. 1;
FIG. 6 is a top view of the LED lamp according to FIG. 1; and,
FIG. 7 is a bottom view of the LED lamp according to FIG. 1.

1 Claim, 4 Drawing Sheets



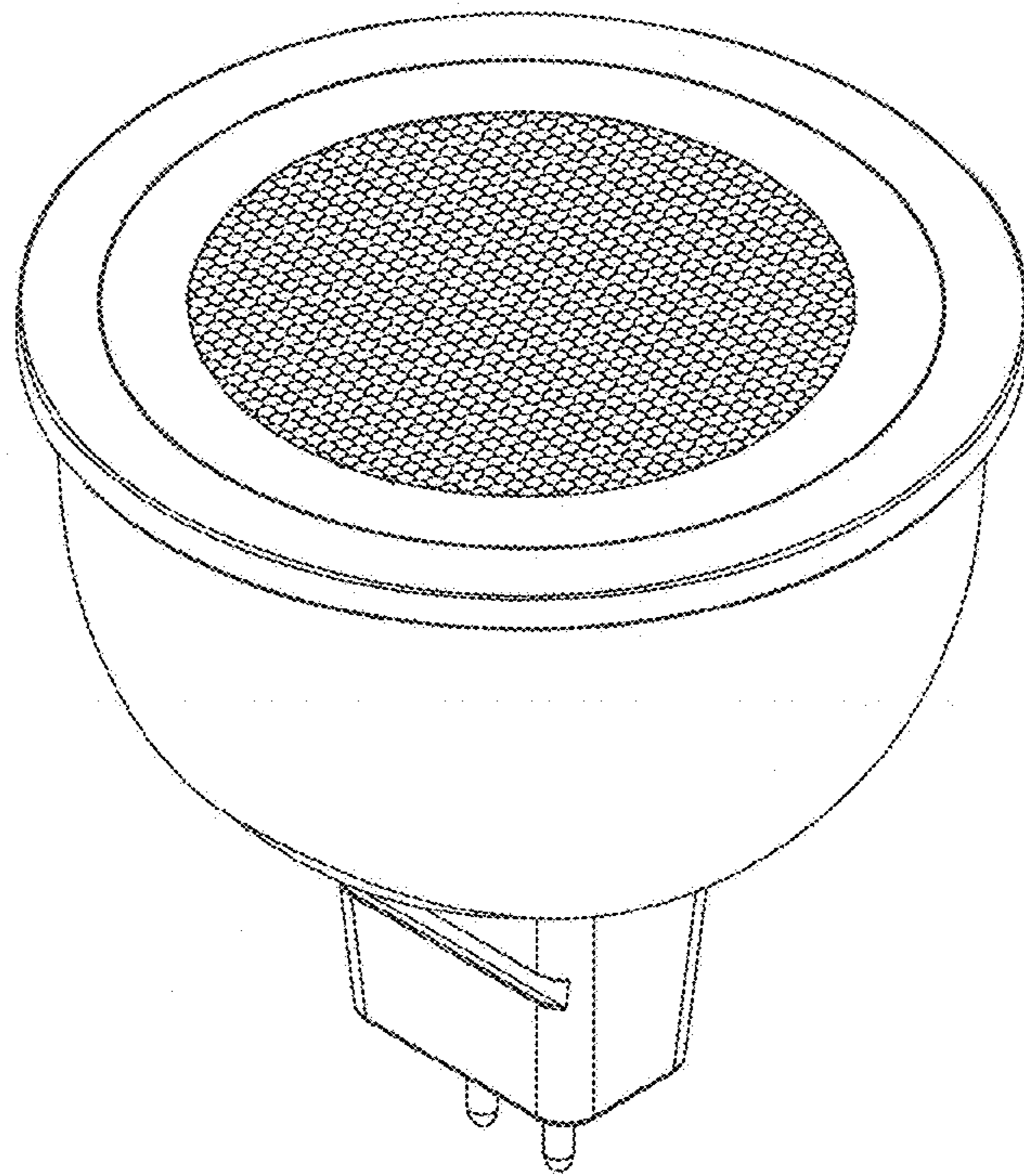


Fig. 1

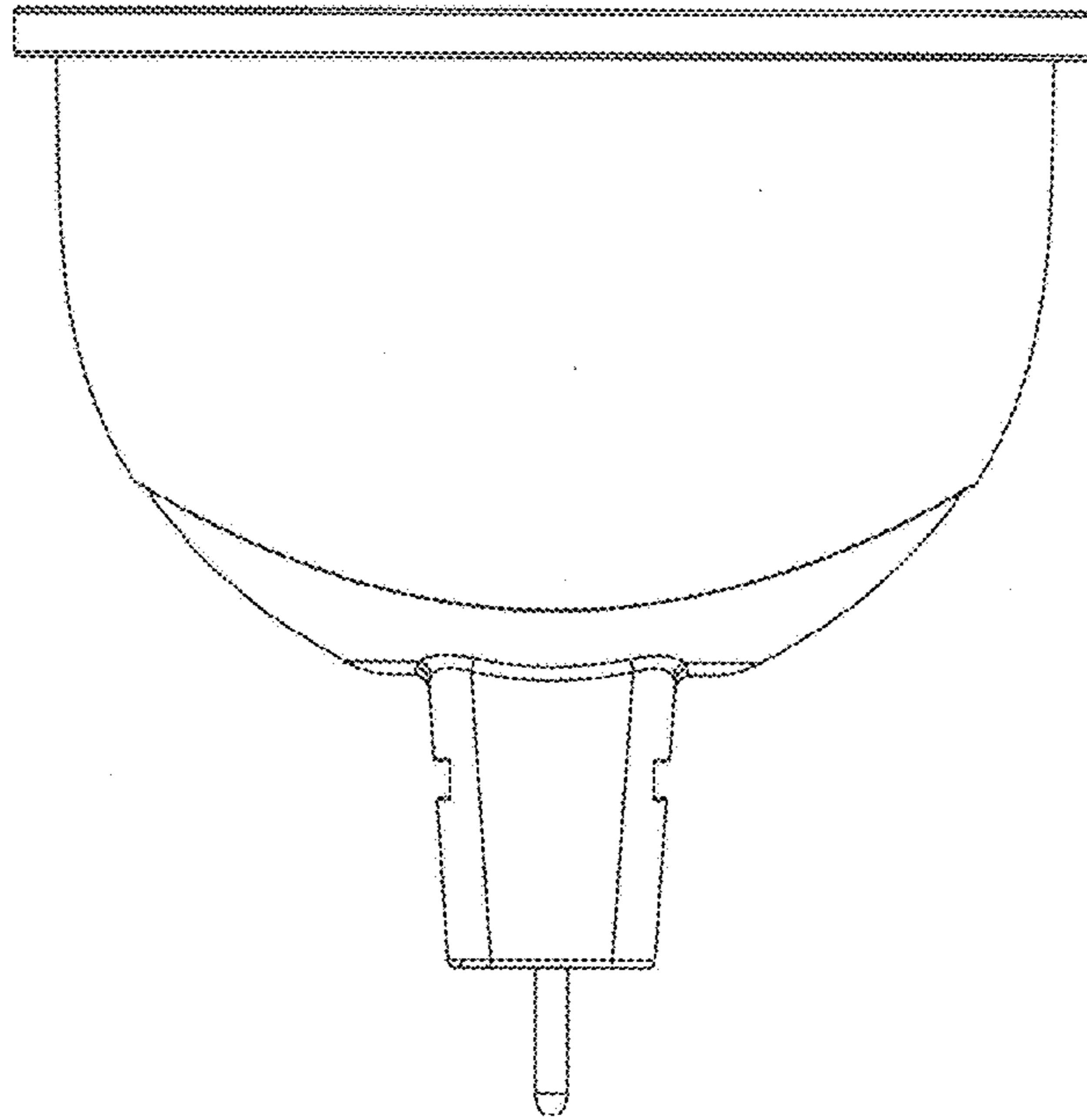


Fig. 2

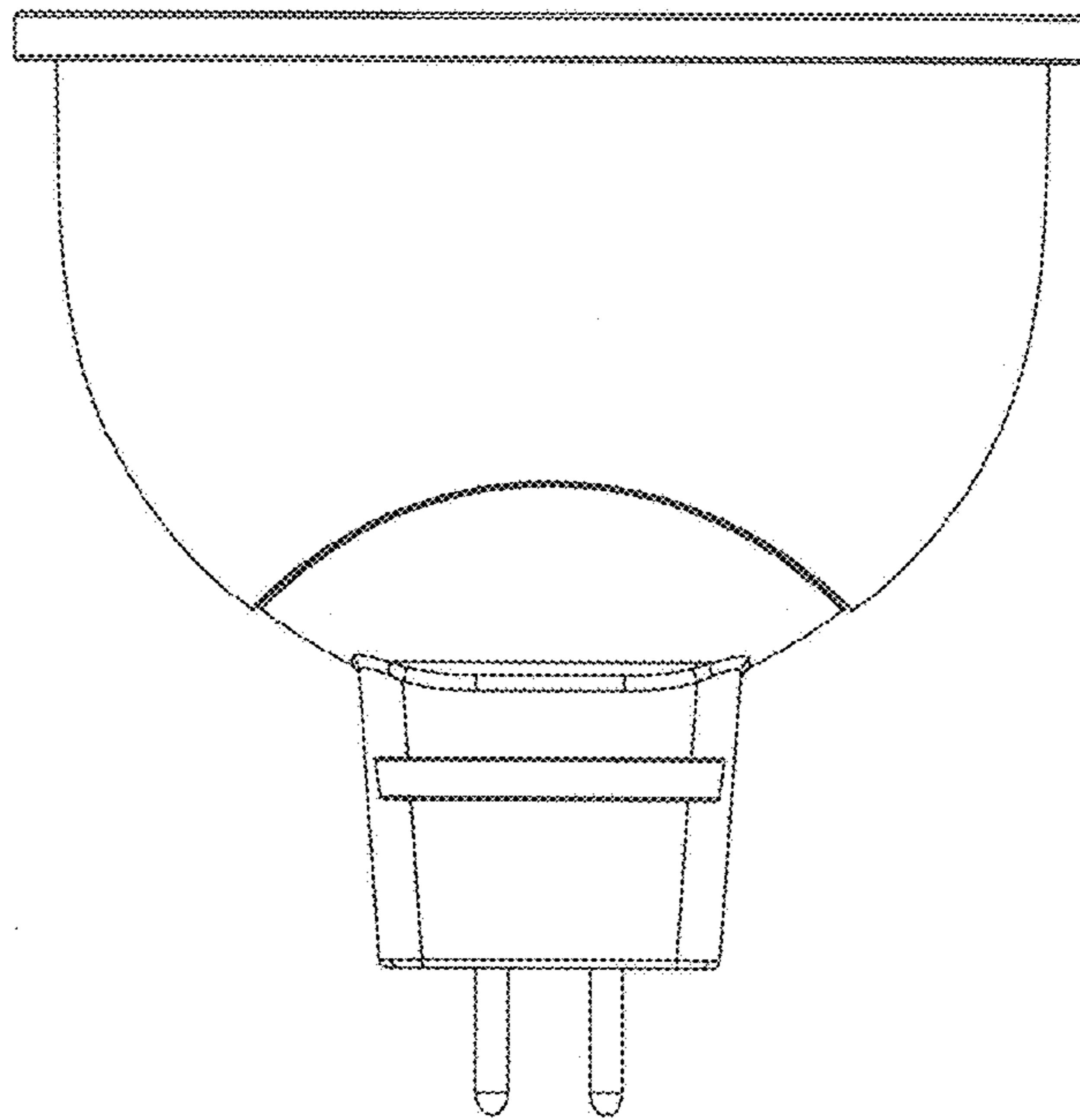


Fig. 3

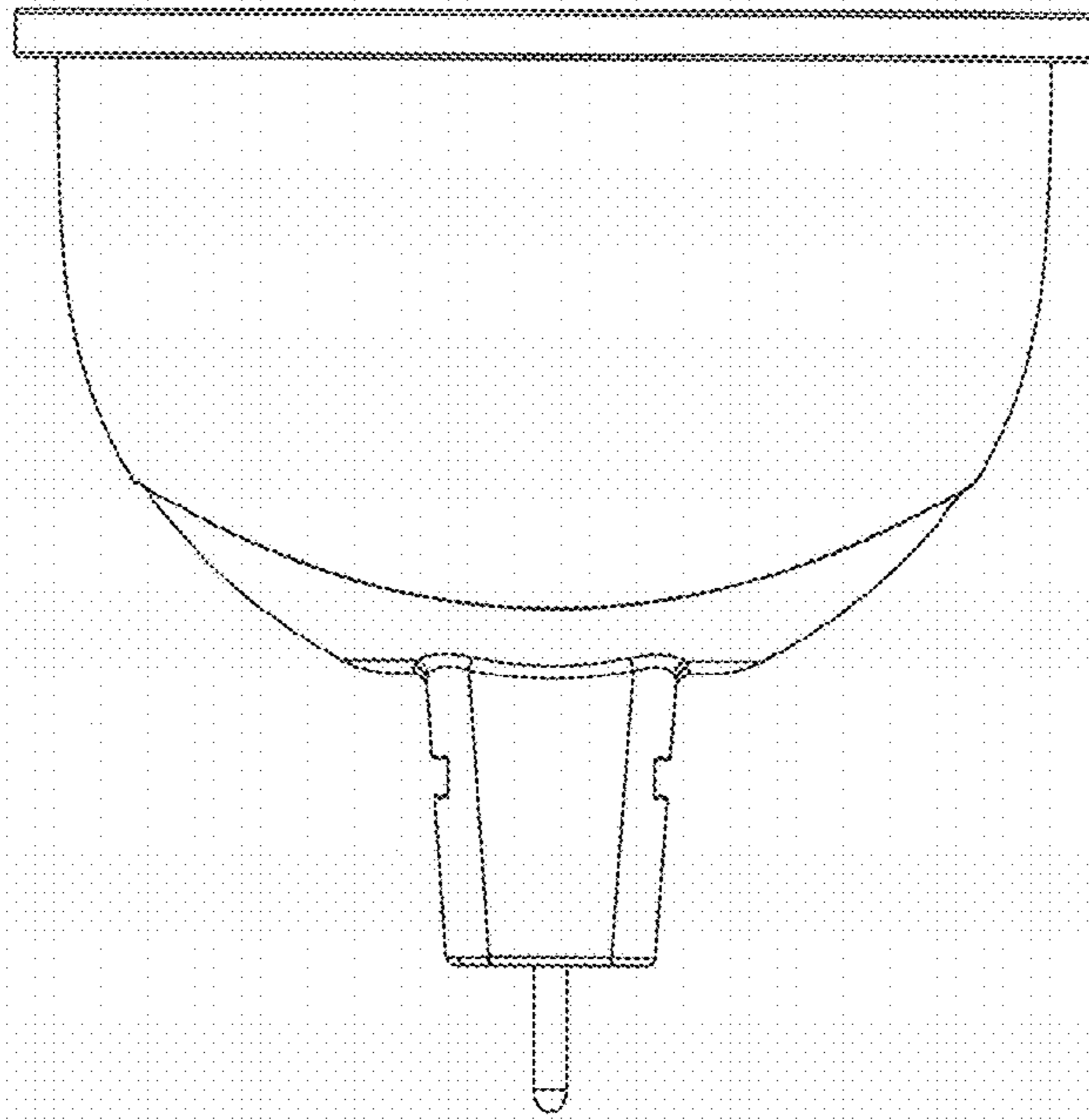


Fig. 4

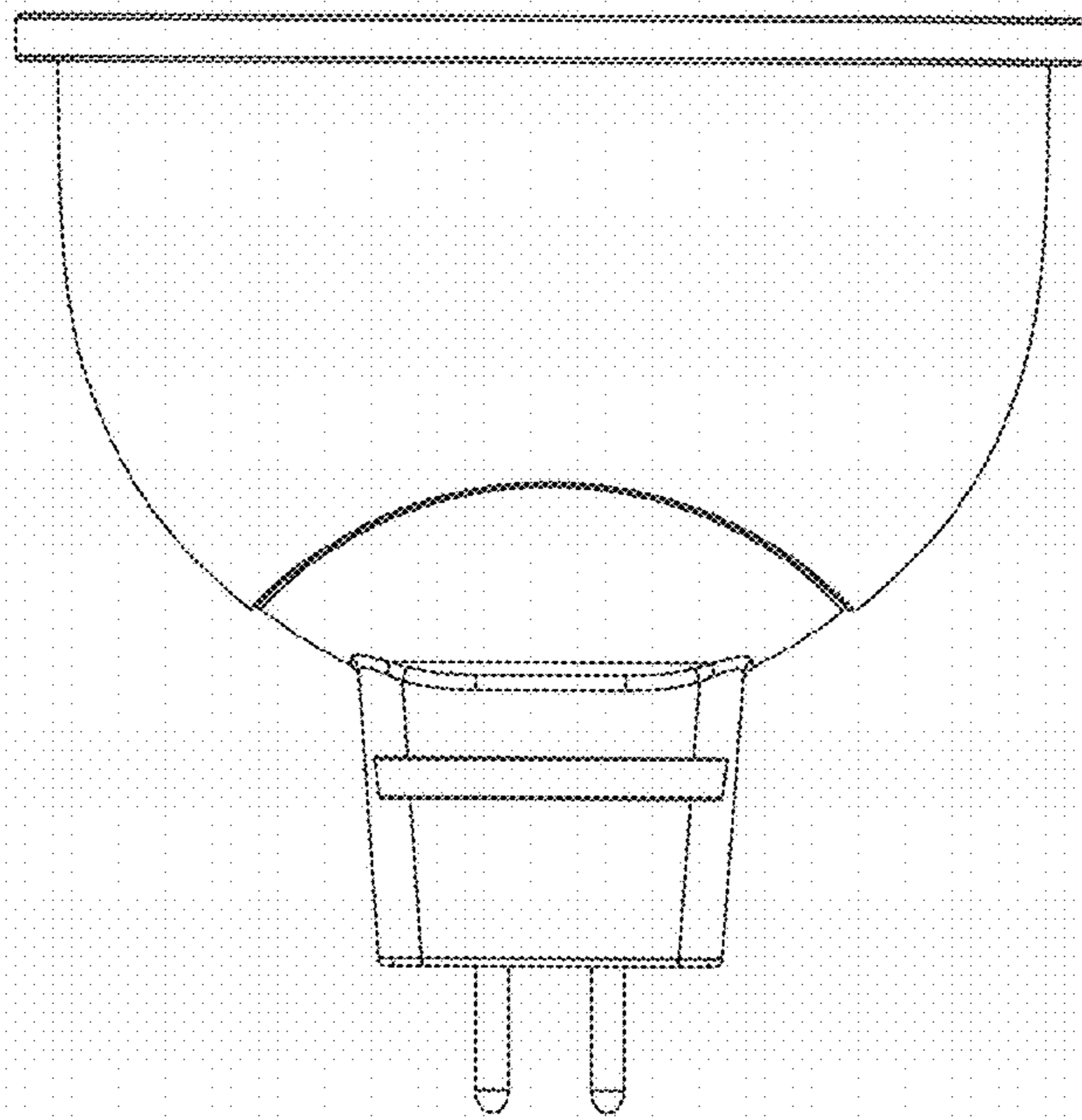


Fig. 5

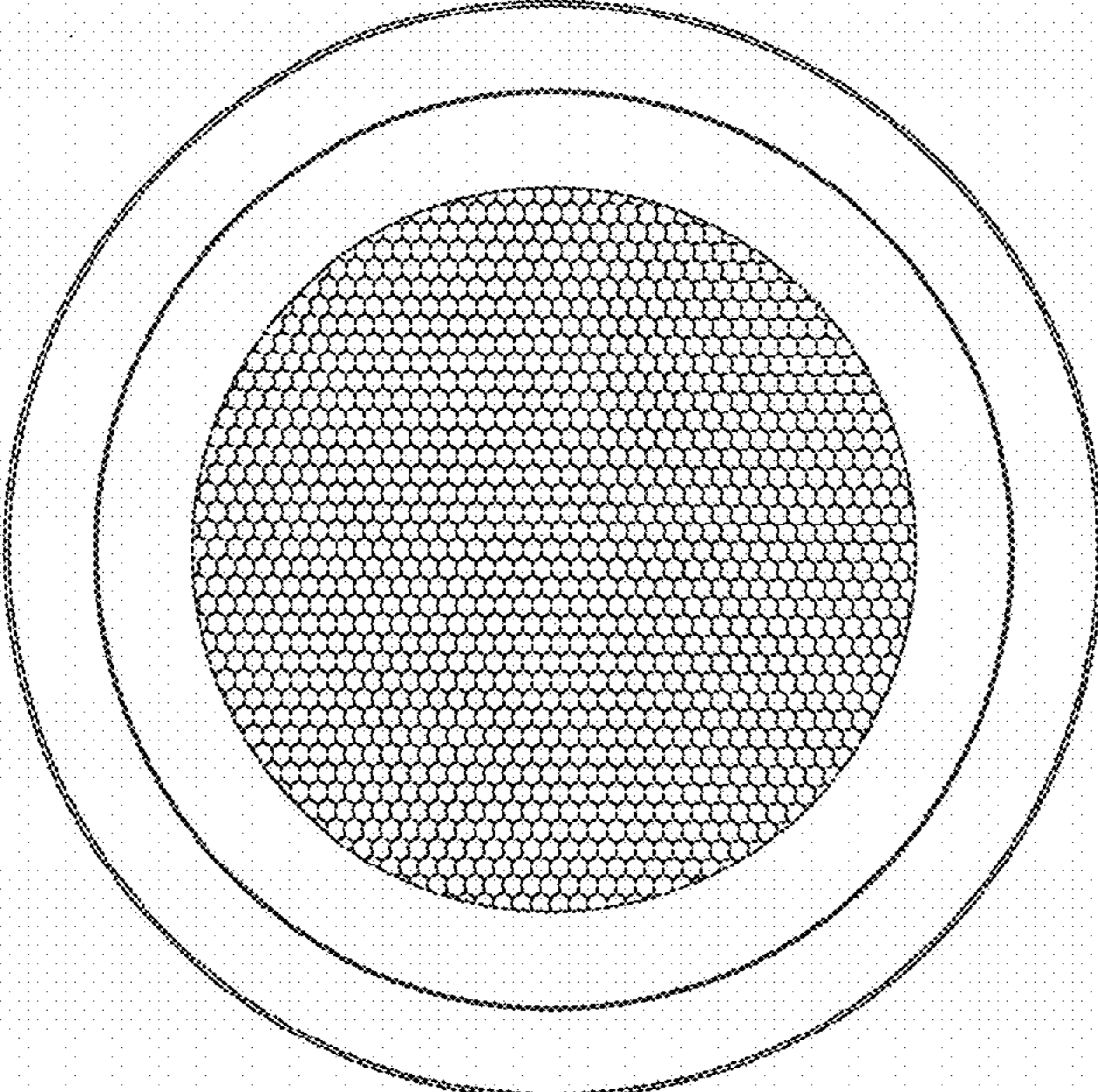


Fig. 6

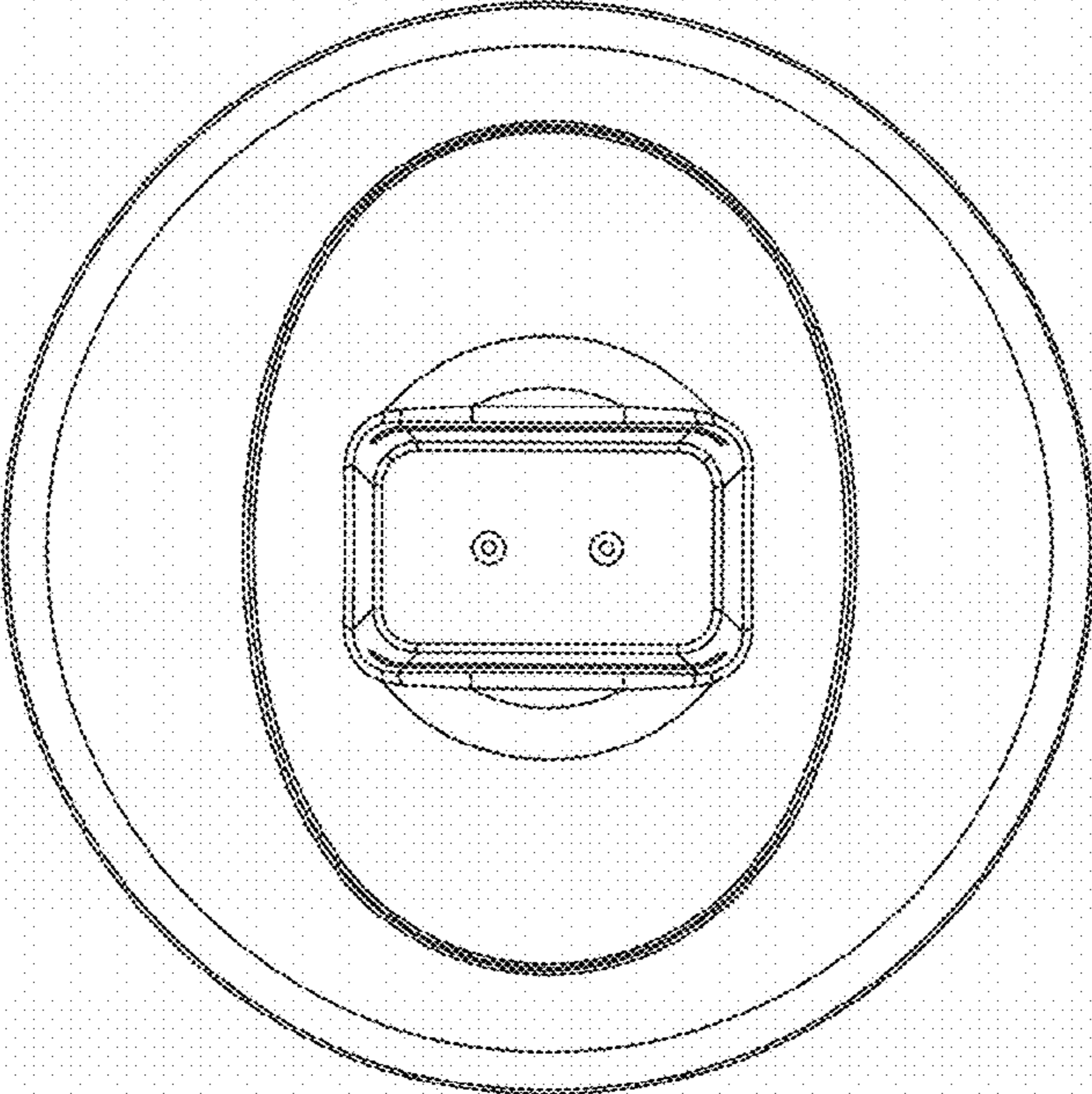


Fig. 7