



US00D749238S

(12) **United States Design Patent**  
**Reinthal**

(10) **Patent No.:** **US D749,238 S**

(45) **Date of Patent:** **\*\* Feb. 9, 2016**

(54) **WEATHERSTRIP PORTION FOR DOORS AND WINDOWS**

D638,958 S \* 5/2011 Van Camp ..... D25/119  
8,673,424 B2 3/2014 Abramson et al.  
2007/0264466 A1\* 11/2007 DeMello ..... E06B 7/16  
428/89

(71) Applicant: **William Reinthal**, Oakland, CA (US)

\* cited by examiner

(72) Inventor: **William Reinthal**, Oakland, CA (US)

*Primary Examiner* — Doris Clark

(\*\*) Term: **14 Years**

(74) *Attorney, Agent, or Firm* — Adams Law Office; Sharon Adams

(21) Appl. No.: **29/492,464**

(22) Filed: **May 30, 2014**

(51) **LOC (10) Cl.** ..... **25-01**

(52) **U.S. Cl.**

USPC ..... **D25/119; D25/48.2**

(58) **Field of Classification Search**

USPC ..... D25/119, 48.2

CPC ..... E06B 1/70; E06B 1/702; E06B 7/098;

E06B 7/16; E06B 7/22; E06B 7/2312; E06B

3/30; E06B 3/9616; E06B 2001/707; E06B

2001/702

See application file for complete search history.

(56) **References Cited**

**U.S. PATENT DOCUMENTS**

D182,784 S	5/1958	Bancroft	
3,224,047 A	12/1965	Horton	
D228,748 S	10/1973	Littman	
4,034,511 A *	7/1977	Bursk	..... E06B 7/2316 49/489.1
D300,464 S	3/1989	Davidson	
D320,089 S	9/1991	Boer	
6,530,190 B2	3/2003	Conachen	
D537,173 S	2/2007	Westphal et al.	

(57) **CLAIM**

The ornamental design for weatherstrip portion for doors and windows, as shown and described.

**DESCRIPTION**

FIG. 1 is perspective view of weatherstripping showing the invention. The appearance of any portion of the invention between the brackets forms no part of the claimed invention. The broken lines are for illustrative purposes and form no part of the claimed invention.

FIG. 2 is a side elevational view of the invention, wherein the left and right sides are mirror images of each other, and the broken lines are for illustrative purposes and form no part of the claimed invention.

FIG. 3 is a front elevational view thereof.

FIG. 4 is a top plan view thereof.

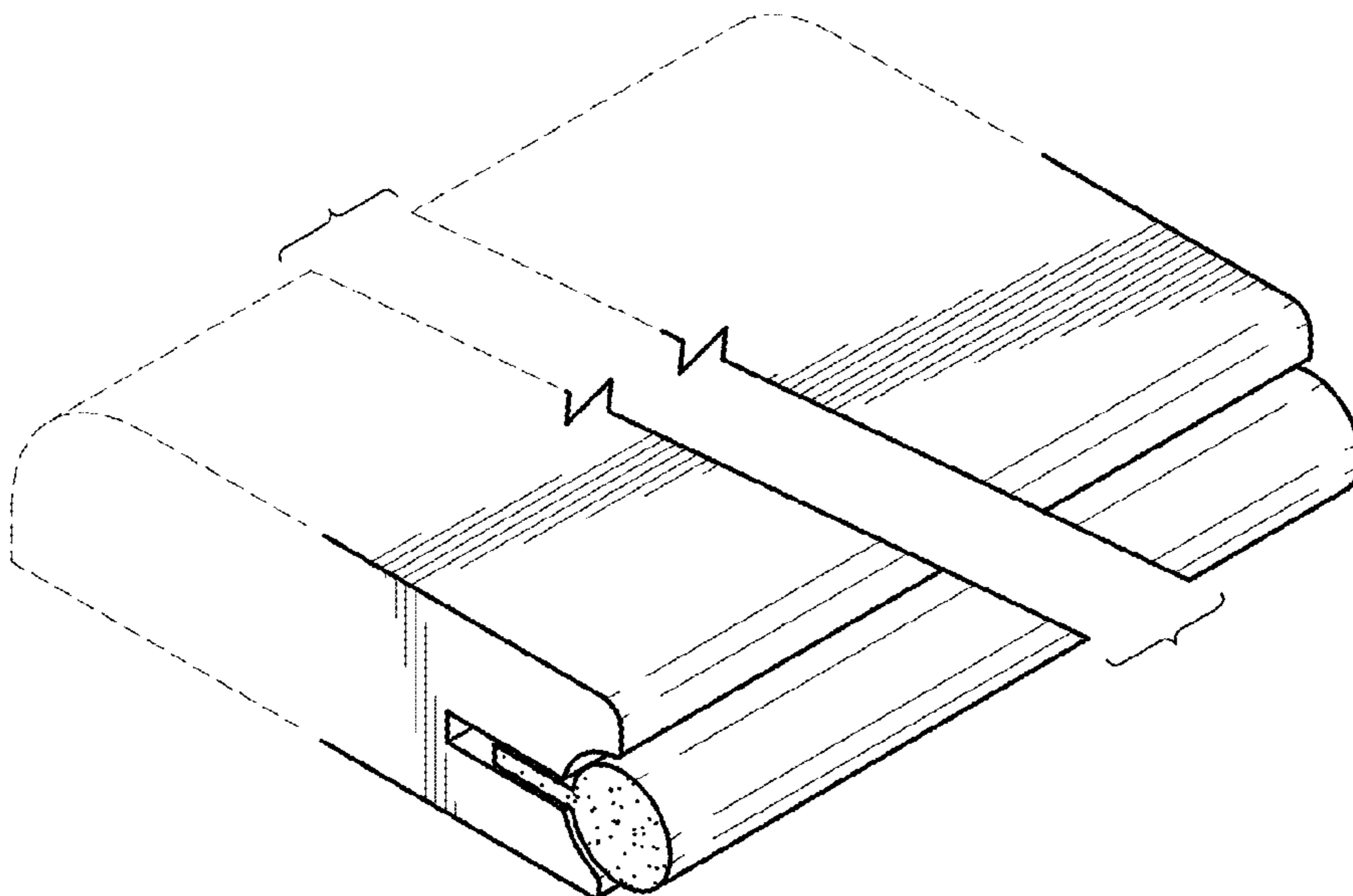
FIG. 5 is a bottom plan view thereof.

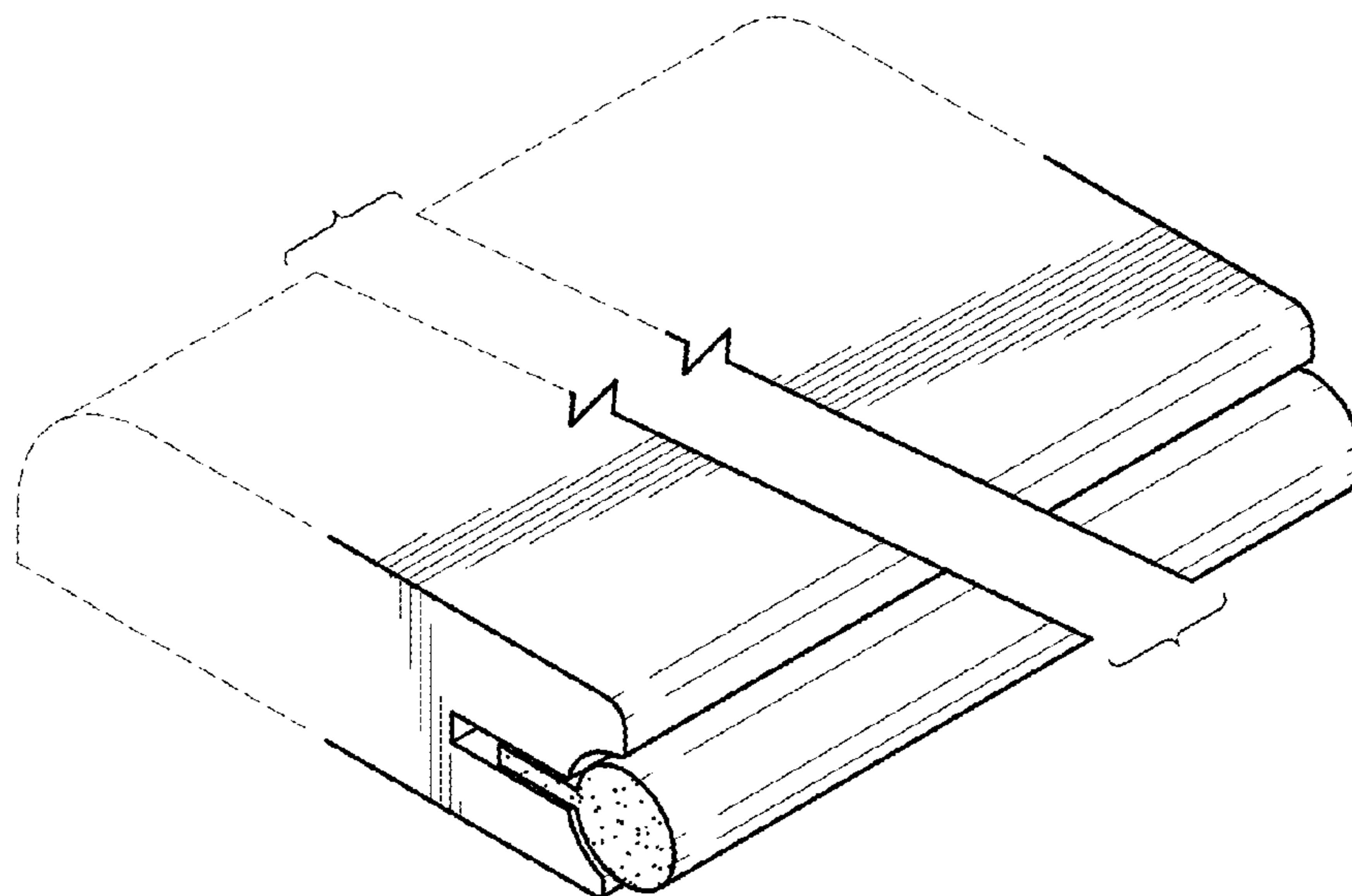
FIG. 6 is an exploded view of the invention.

FIG. 7 is a perspective view of the invention in a door, with broken lines showing the environmental structure, and forming no part of the claimed invention; and,

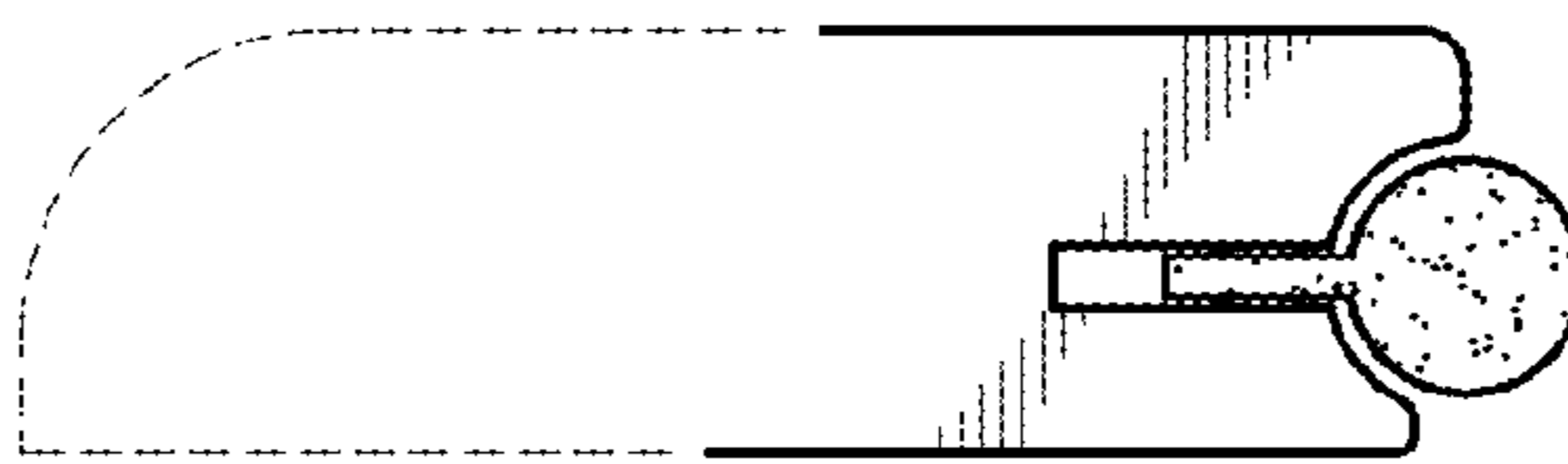
FIG. 8 is a detail view of the inside the circle formed out of broken lines in FIG. 7.

**1 Claim, 5 Drawing Sheets**

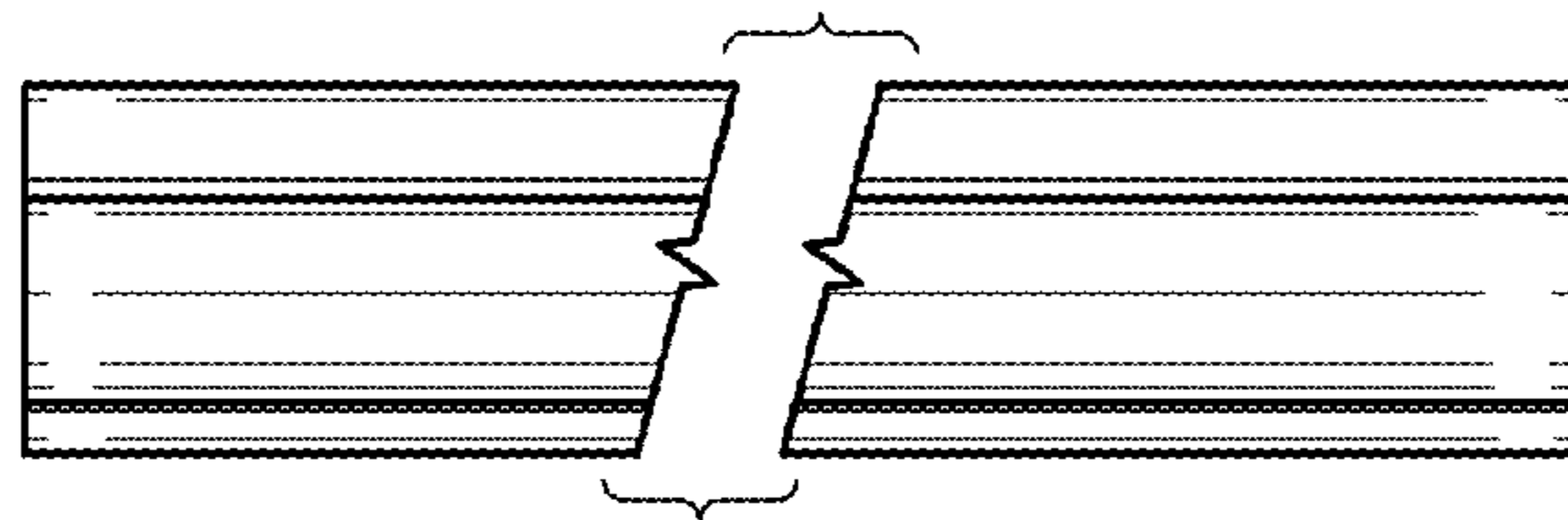




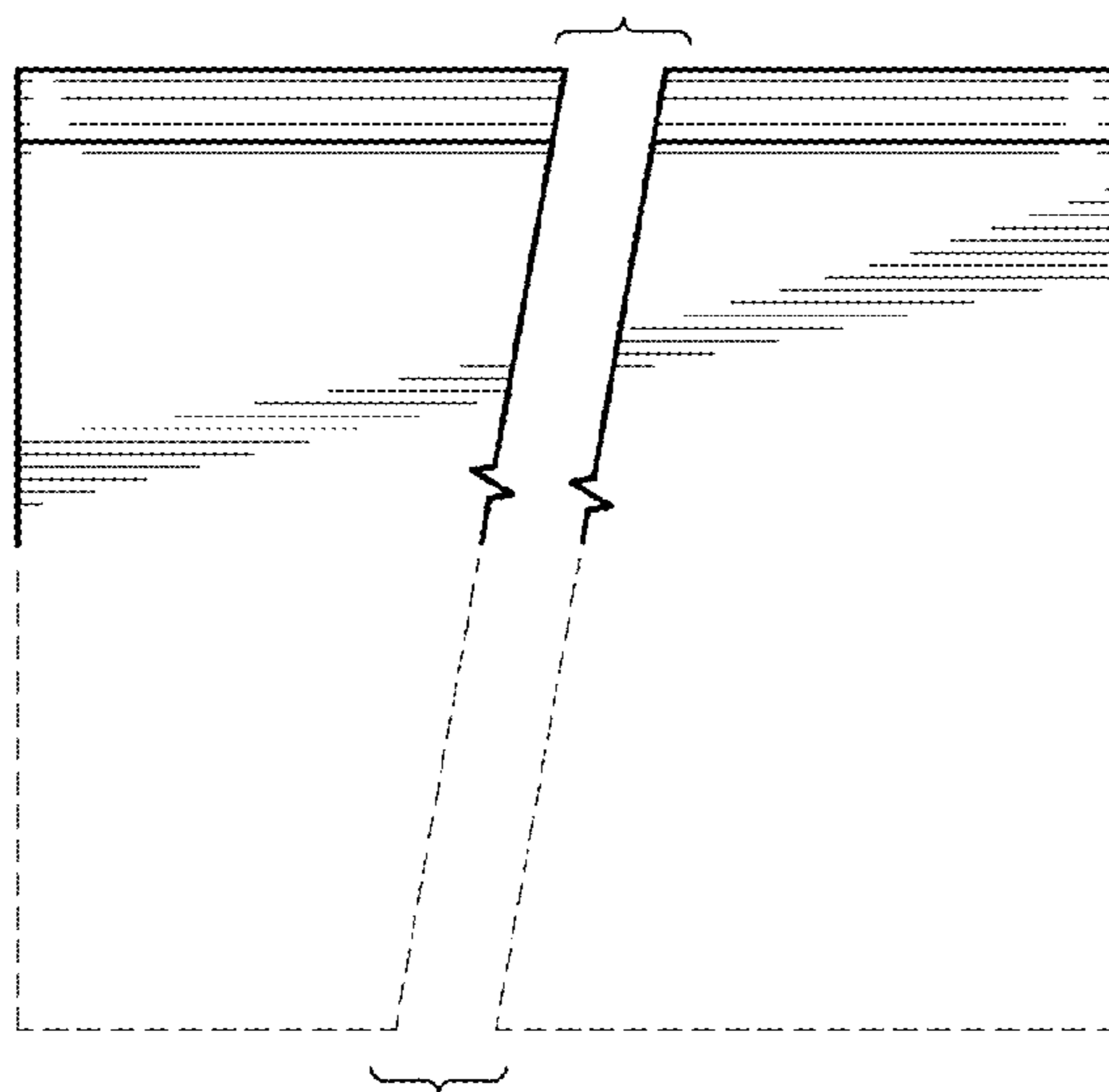
*FIG. 1*



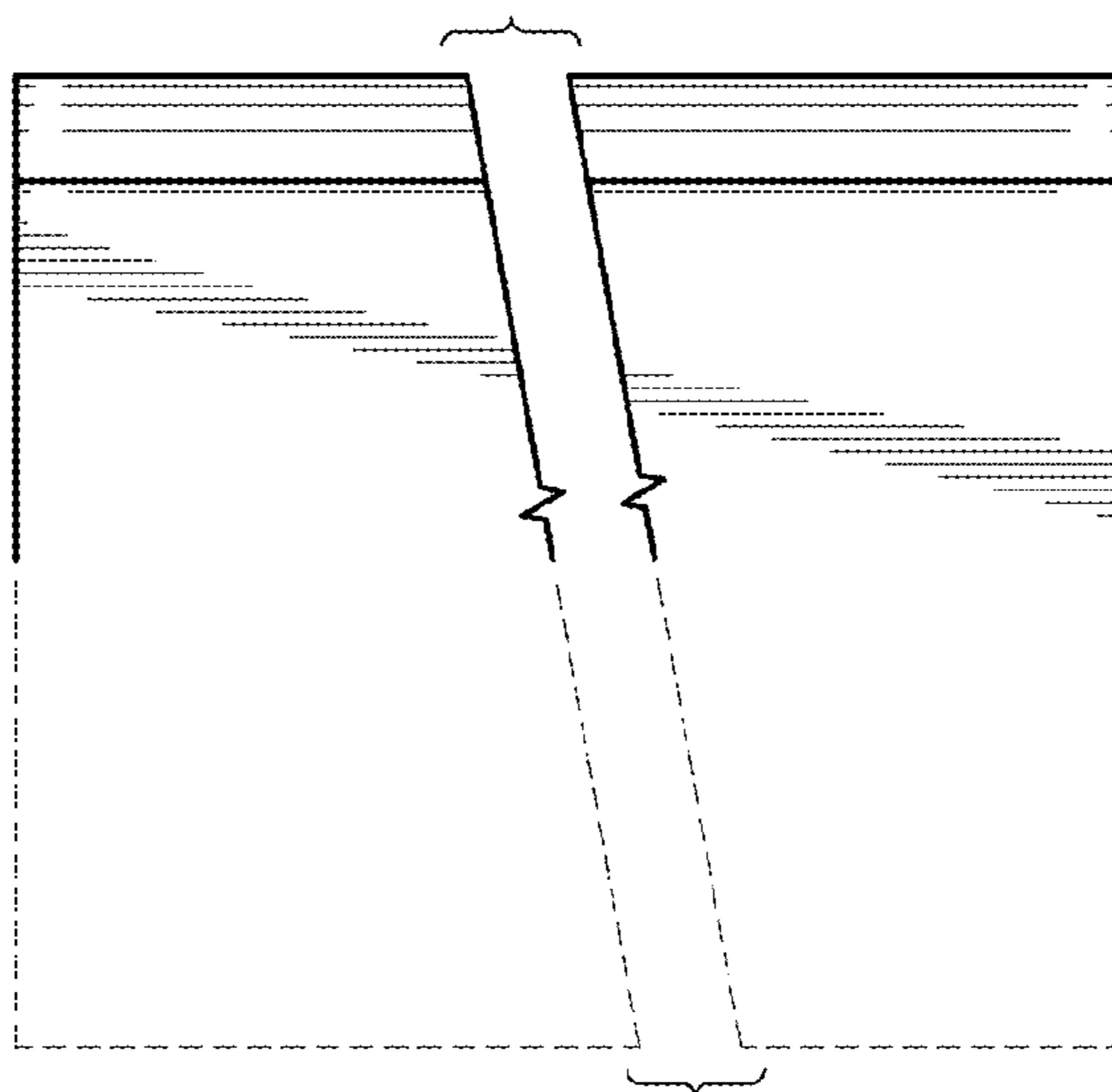
**FIG. 2**



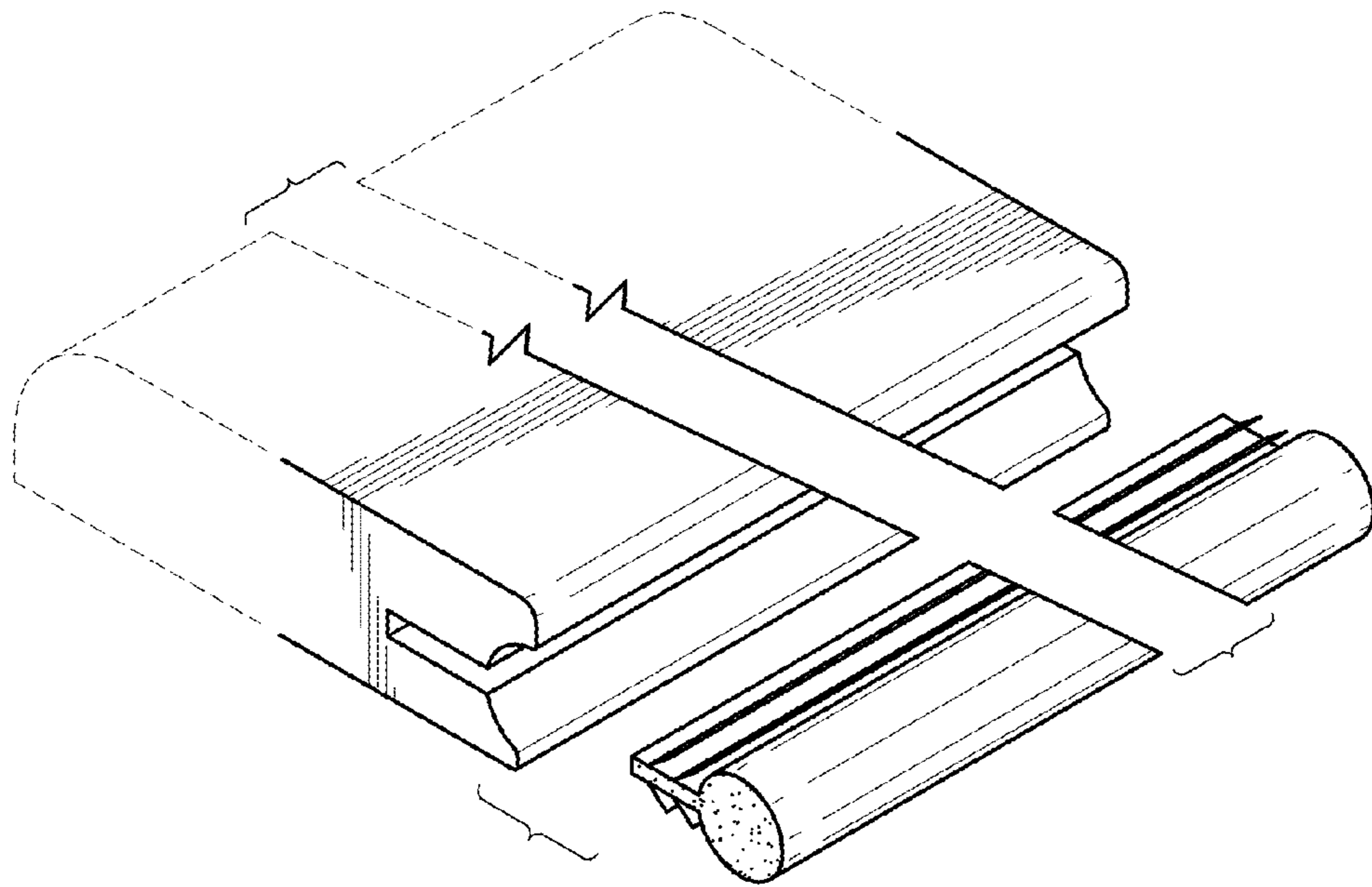
**FIG. 3**



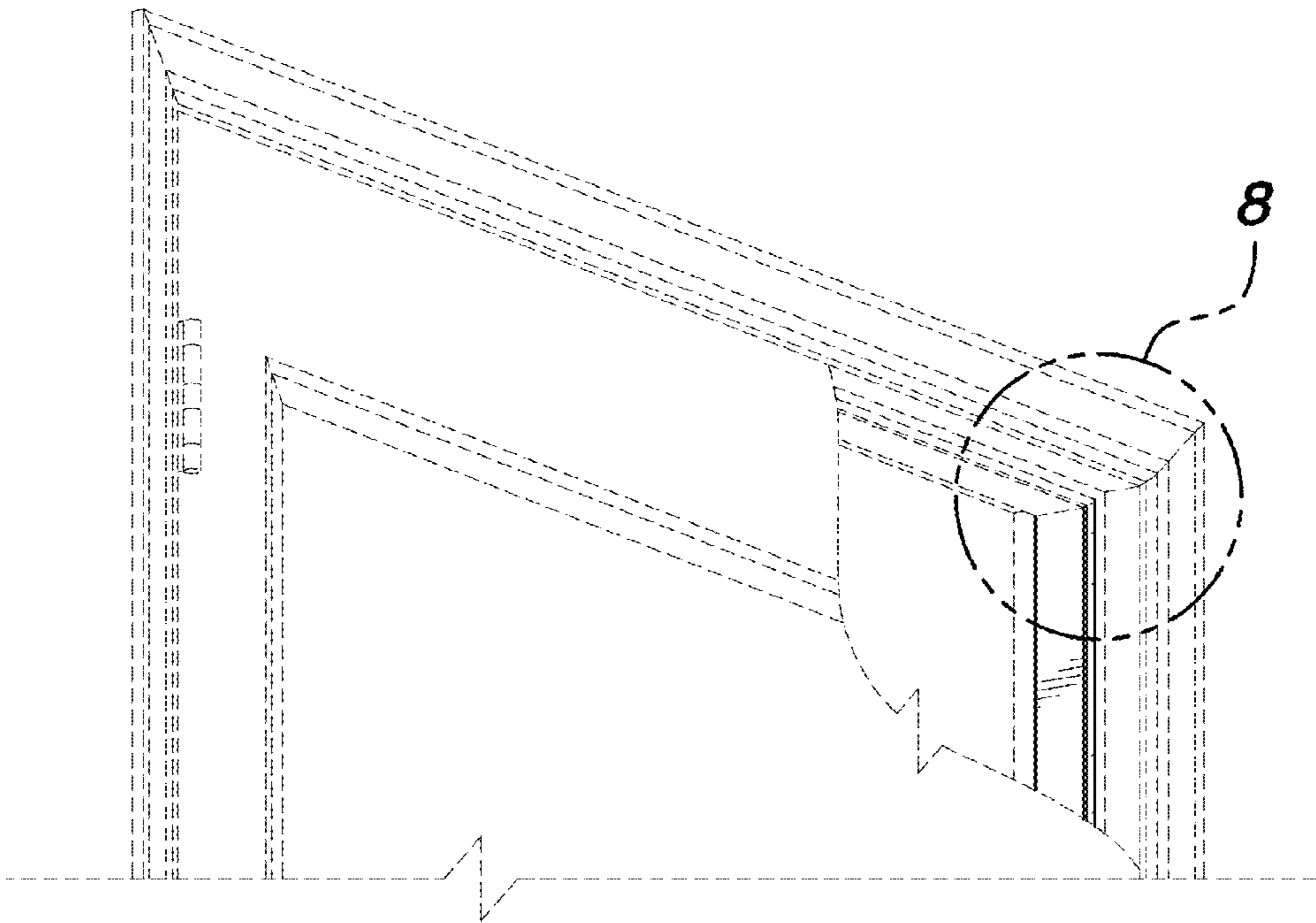
**FIG. 4**



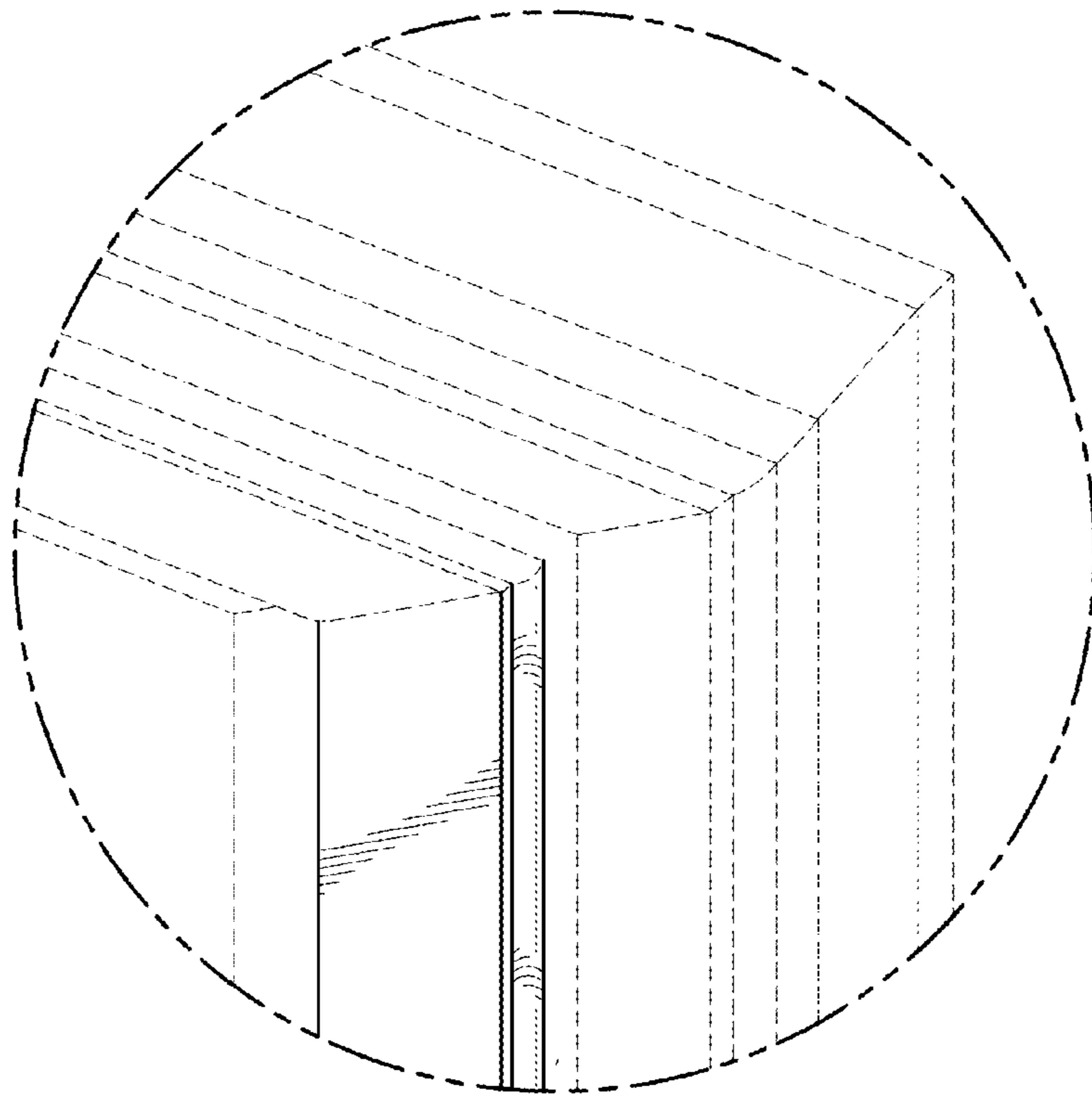
**FIG. 5**



**FIG. 6**



**FIG. 7**



**FIG. 8**