



US00D749235S

(12) **United States Design Patent**  
**Murray et al.**

(10) **Patent No.:** **US D749,235 S**

(45) **Date of Patent:** **\*\* Feb. 9, 2016**

(54) **ELECTROPHORESIS APPARATUS**

(71) Applicant: **Edvotek Inc.**, Washington, DC (US)

(72) Inventors: **Thomas William Murray**, Philadelphia, PA (US); **John Depler Coleman**, Philadelphia, PA (US); **Christopher John Murray**, Philadelphia, PA (US)

(73) Assignee: **Edvotek Inc.**, Washington, DC (US)

(\*\*) Term: **14 Years**

(21) Appl. No.: **29/510,834**

(22) Filed: **Dec. 3, 2014**

(51) **LOC (10) Cl.** ..... **24-01**

(52) **U.S. Cl.**  
USPC ..... **D24/233**

(58) **Field of Classification Search**  
USPC ..... D24/233, 216; D10/81; 204/606,  
204/616-621, 466-467  
CPC ..... G01N 27/447; G01N 27/44704; G01N  
27/44756; G01N 27/44773; G01N 27/44769;  
G01N 27/44786  
See application file for complete search history.

(56) **References Cited**

**U.S. PATENT DOCUMENTS**

4,194,963 A \* 3/1980 Denckla ..... G01N 27/44756  
204/616  
D266,150 S \* 9/1982 Borsos ..... D24/233

D282,352 S \* 1/1986 Hoefer ..... D24/233  
4,624,768 A \* 11/1986 Yoshida ..... G01N 27/44708  
204/616  
5,106,477 A \* 4/1992 Coleman ..... G01N 27/44704  
204/616  
D510,770 S \* 10/2005 Emerson ..... D24/233  
D511,386 S \* 11/2005 Emerson ..... D24/233  
2015/0160156 A1 \* 6/2015 Otonashi ..... G01N 27/447  
204/466

**OTHER PUBLICATIONS**

Edvotek Product Research Guide 2013-2014, pp. 104-106.

\* cited by examiner

*Primary Examiner* — Wan Laymon

(74) *Attorney, Agent, or Firm* — Panitch Schwarze Belisario & Nadel LLP

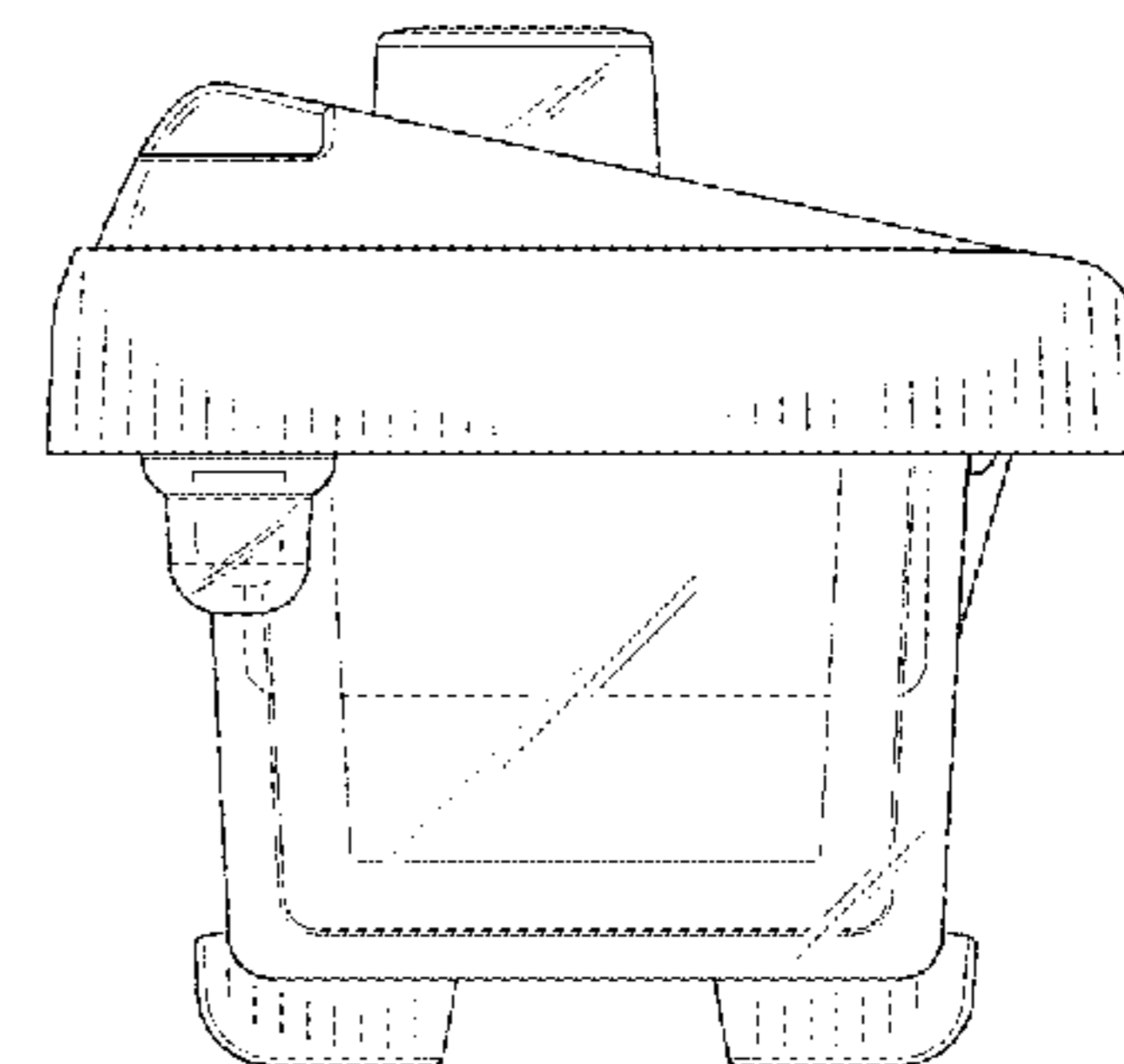
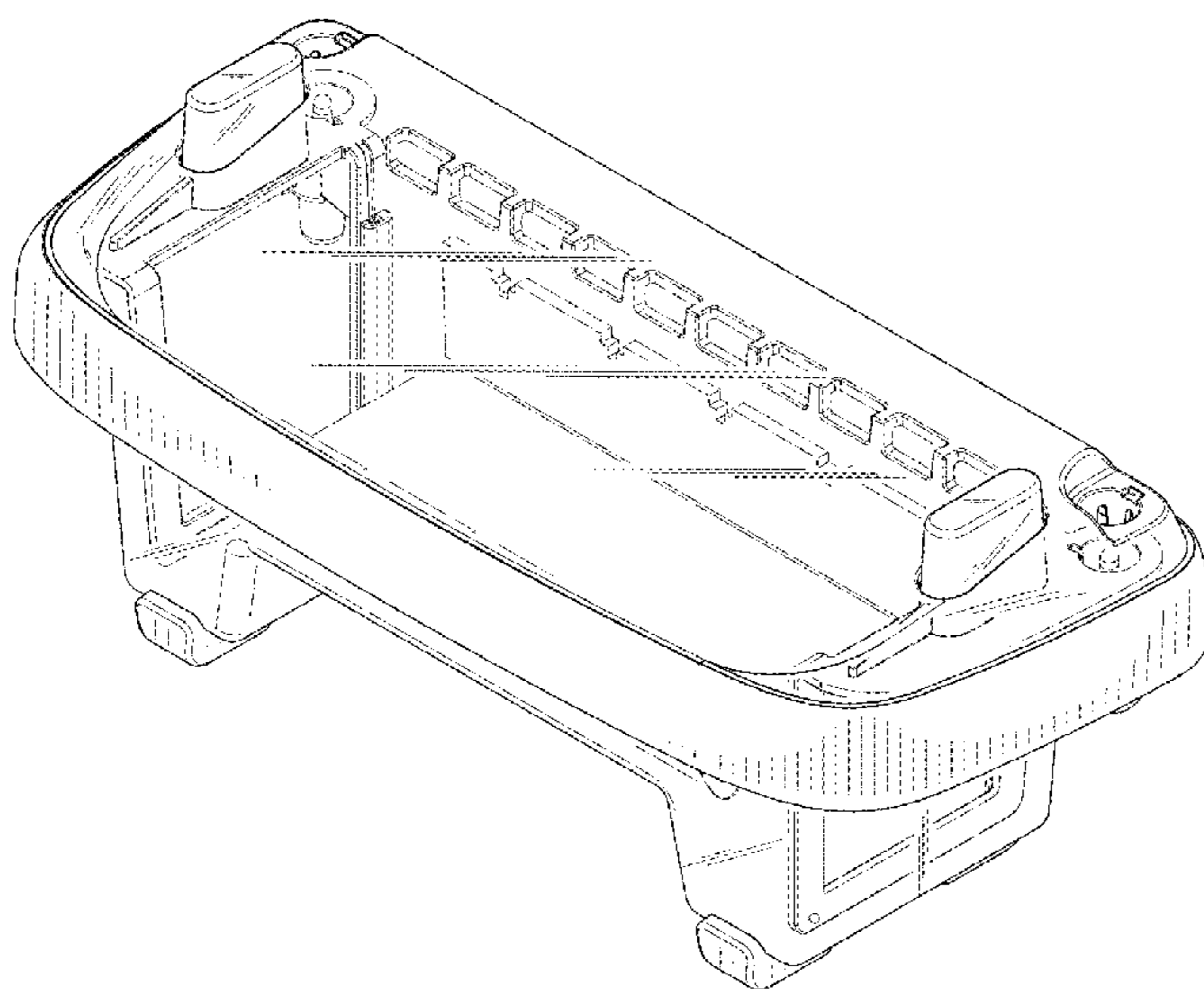
(57) **CLAIM**

The ornamental design for an electrophoresis apparatus, as shown and described.

**DESCRIPTION**

FIG. 1 is a top, front isometric view of an electrophoresis apparatus in accordance with our new design; FIG. 2 is a front elevation view thereof; FIG. 3 is a rear elevation view thereof; FIG. 4 is a left side elevation view thereof; FIG. 5 is a right side elevation view thereof; FIG. 6 is a top plan view thereof; and, FIG. 7 is a bottom plan view thereof.

**1 Claim, 3 Drawing Sheets**



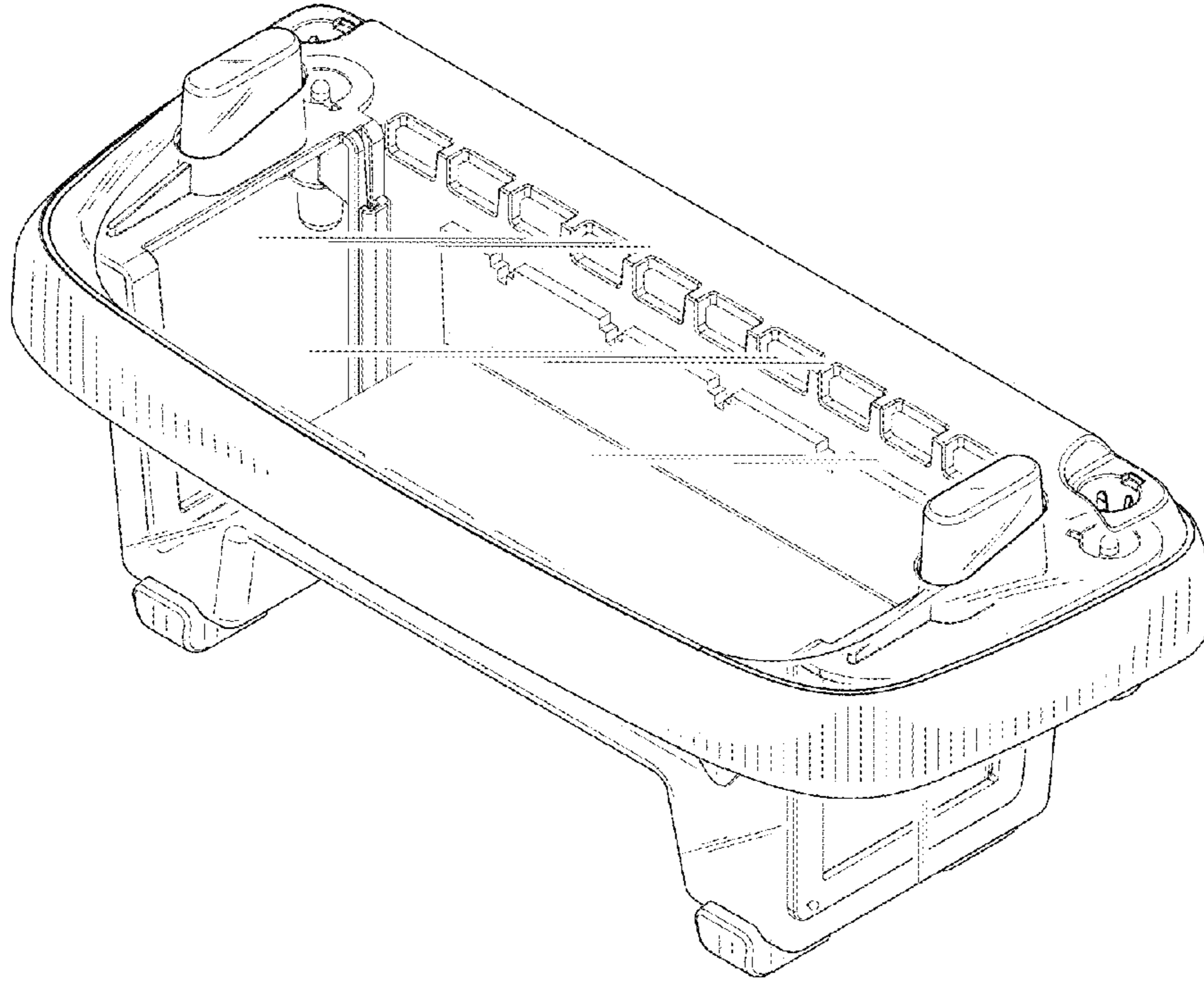


FIG. 1

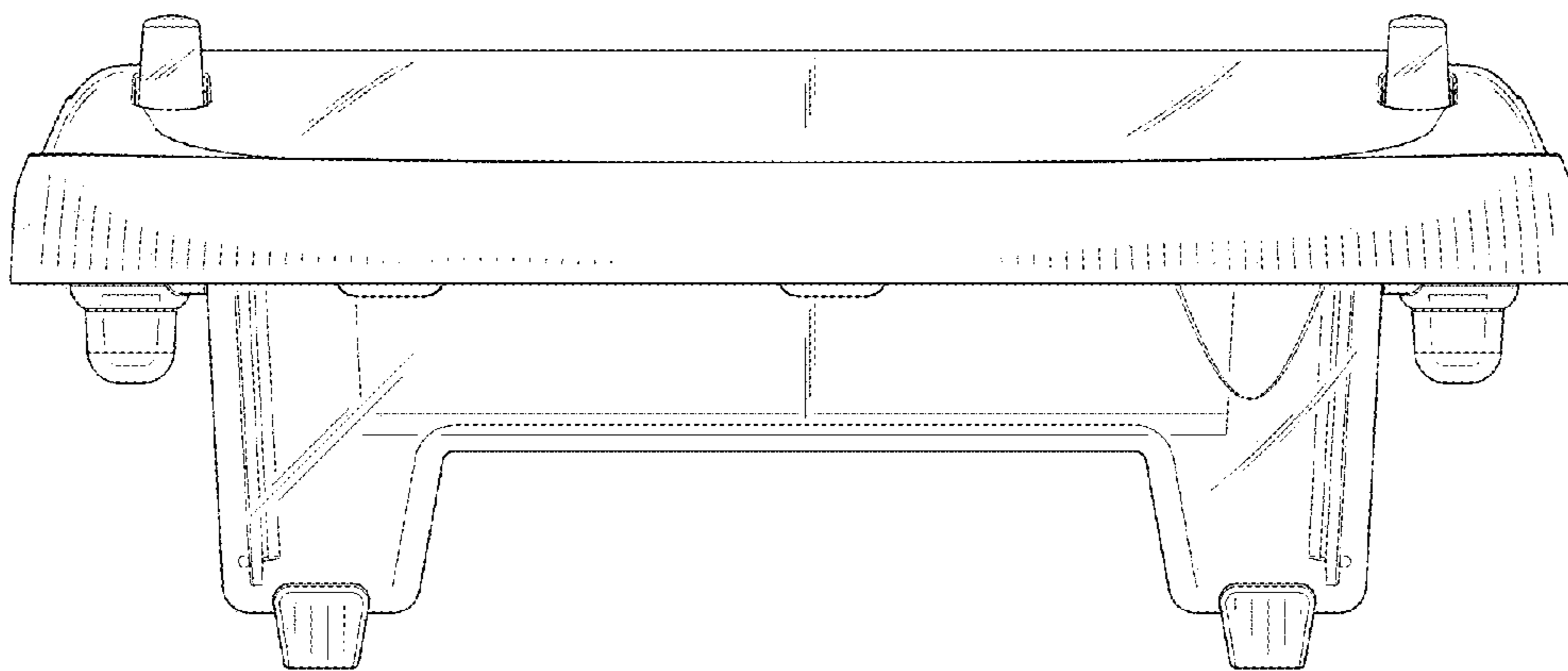


FIG. 2

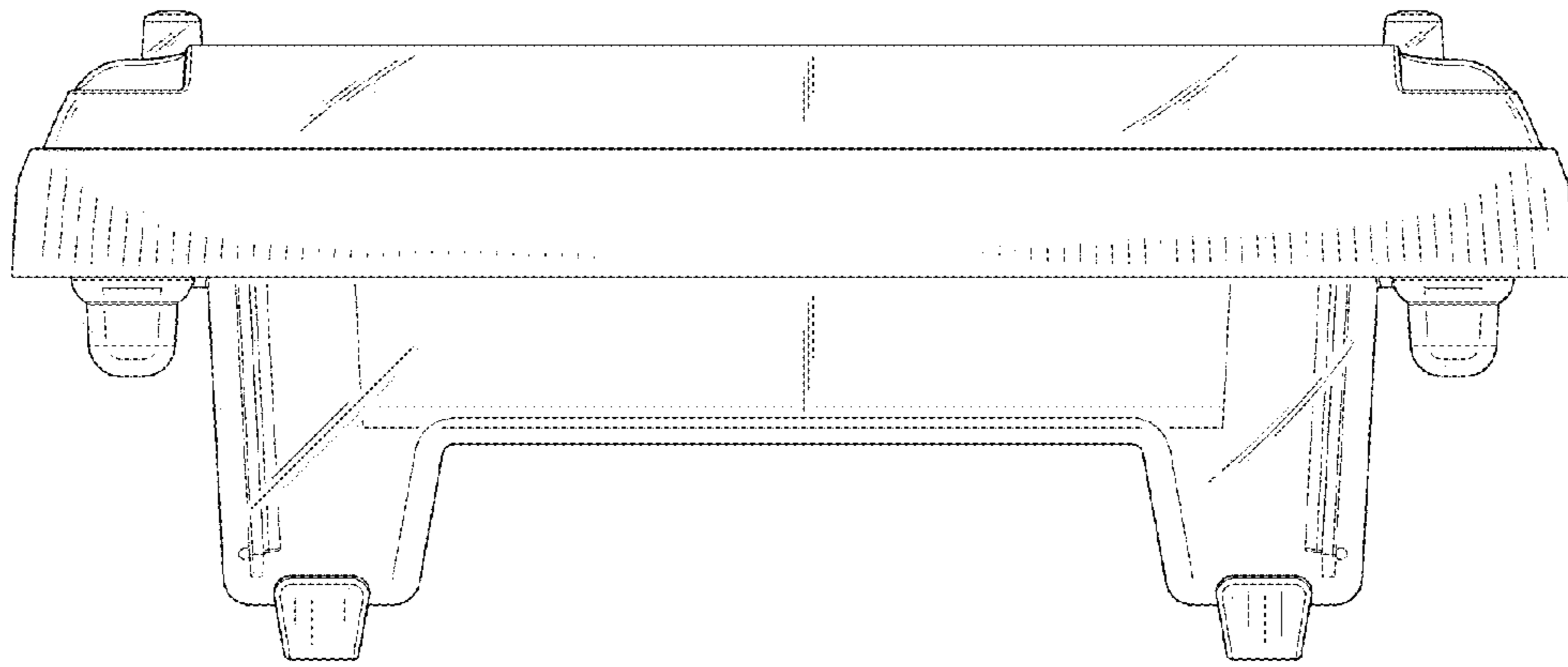


FIG. 3

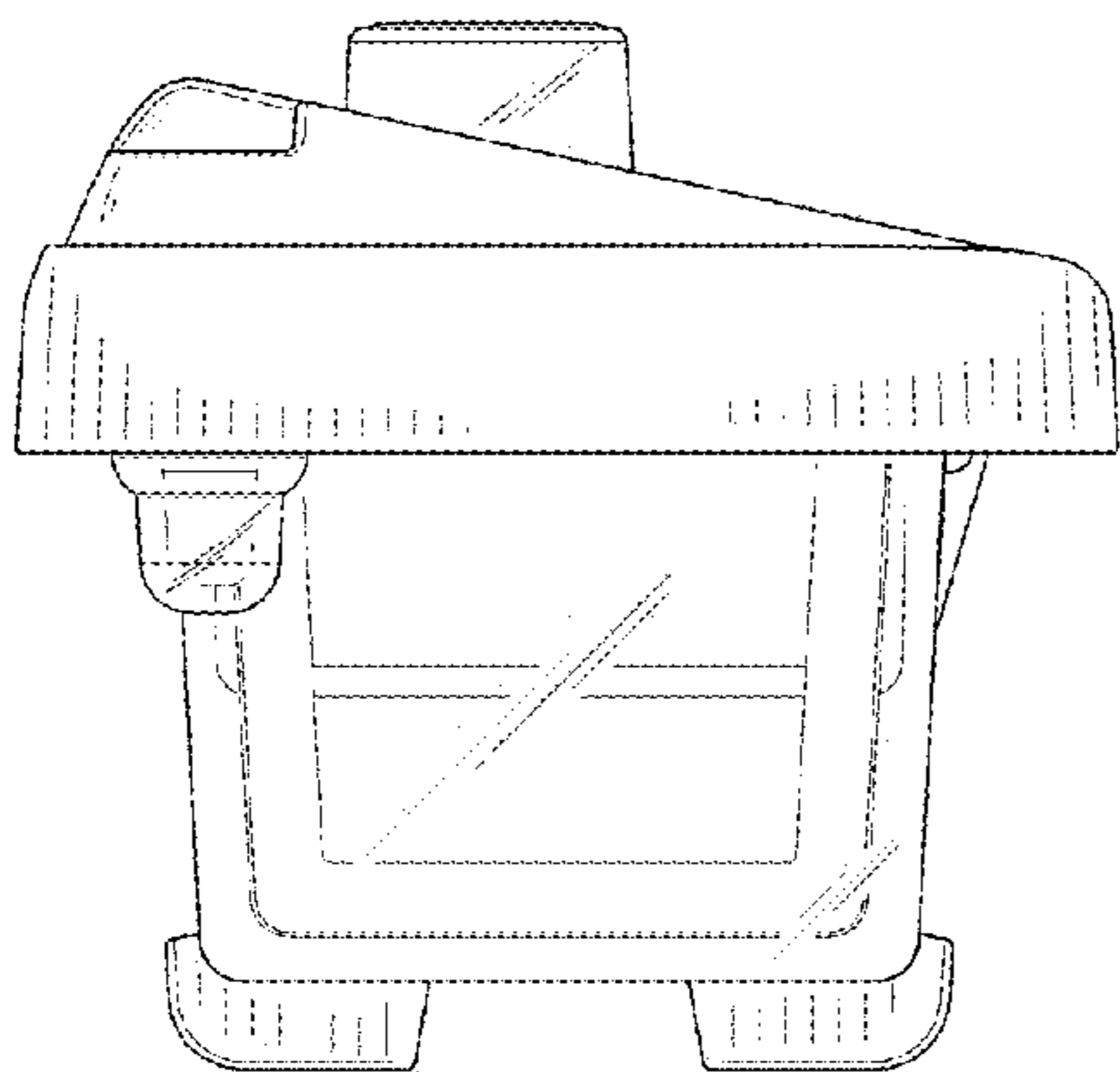


FIG. 4

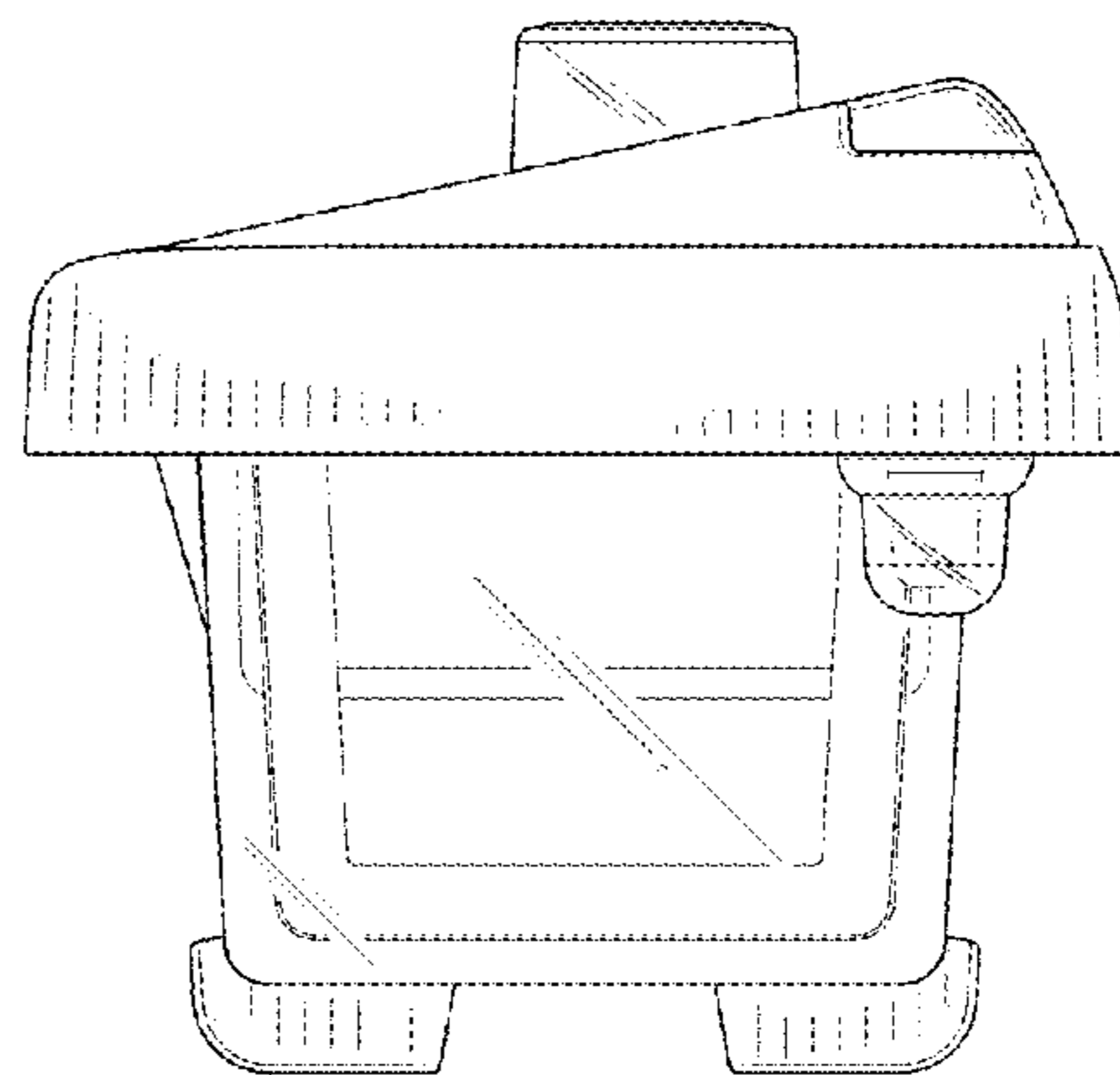


FIG. 5

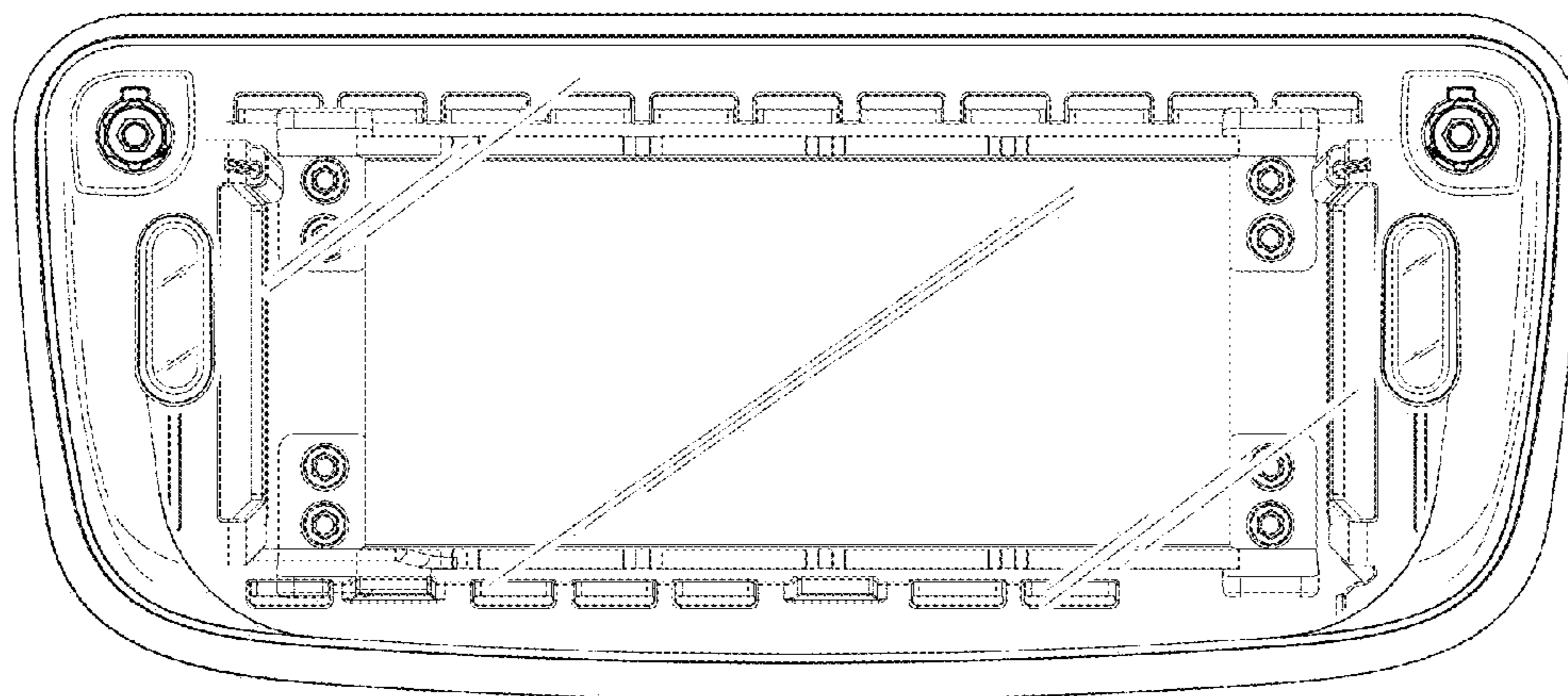


FIG. 6

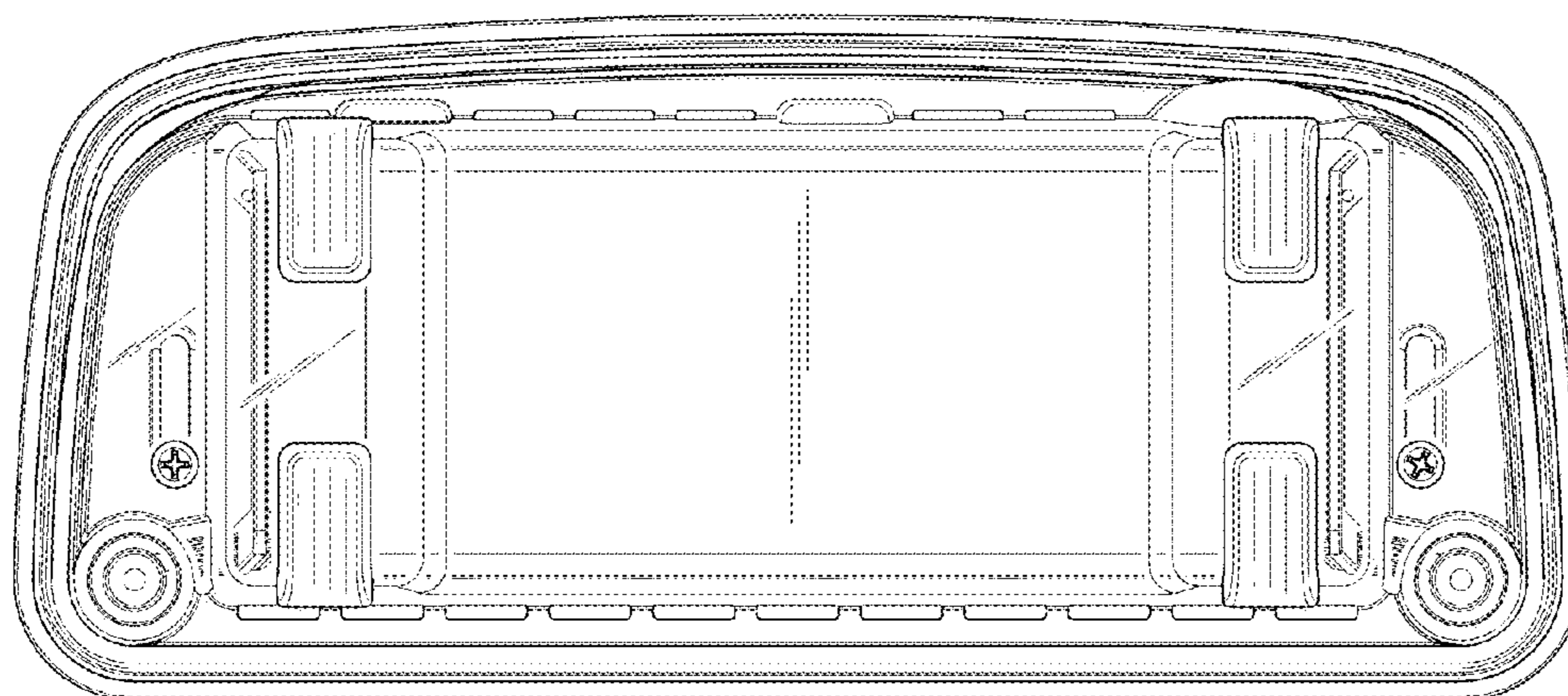


FIG. 7