



US00D749234S

(12) **United States Design Patent**
Fonseca

(10) **Patent No.:** **US D749,234 S**
(45) **Date of Patent:** **** Feb. 9, 2016**

- (54) **BIOLOGICAL ARRAY HOLDER**
- (71) Applicant: **LIFE TECHNOLOGIES CORPORATION**, Carlsbad, CA (US)
- (72) Inventor: **Jorge Fonseca**, East Palo Alto, CA (US)
- (73) Assignee: **Life Technologies Corporation**, Carlsbad, CA (US)
- (**) Term: **14 Years**
- (21) Appl. No.: **29/481,244**
- (22) Filed: **Feb. 3, 2014**

Primary Examiner — Anhdao Doan

(57) **CLAIM**
The ornamental design for a biological array holder, as shown and described.

DESCRIPTION

FIG. 1 is a front perspective view of a first embodiment of a biological array holder.
 FIG. 2 is a front view of the biological array holder shown in FIG. 1.
 FIG. 3 is a back view of the biological array holder shown in FIG. 1.
 FIG. 4 is a side view of the biological array holder shown in FIG. 1.
 FIG. 5 is a side view of the biological array holder shown in FIG. 1.
 FIG. 6 is a top view of the biological array holder shown in FIG. 1.
 FIG. 7 is a bottom view of the biological array holder shown in FIG. 1.
 FIG. 8 is a front perspective view of a second embodiment of a biological array holder.
 FIG. 9 is a front view of the biological array holder shown in FIG. 8.
 FIG. 10 is a back view of the biological array holder shown in FIG. 8.
 FIG. 11 is a side view of the biological array holder shown in FIG. 8.
 FIG. 12 is a side view of the biological array holder shown in FIG. 8.
 FIG. 13 is a top view of the biological array holder shown in FIG. 8; and,
 FIG. 14 is a bottom view of the biological array holder shown in FIG. 8.

Related U.S. Application Data

- (62) Division of application No. 29/436,636, filed on Nov. 7, 2012, now Pat. No. Des. 698,938.
- (51) **LOC (10) Cl.** **24-01**
- (52) **U.S. Cl.**
USPC **D24/224**
- (58) **Field of Classification Search**
USPC D24/216, 223, 224, 225, 226, 186;
D10/81; 435/288.7, 308.1, 287.1,
435/287.3, 288.3, 287.2, 287.7, 287.9,
435/288.5, 810, 973; 422/547, 549, 500,
422/556, 557, 554, 565, 68.1, 401, 402,
422/408, 420, 425, 430; 436/514, 518, 810
See application file for complete search history.

(56) **References Cited**

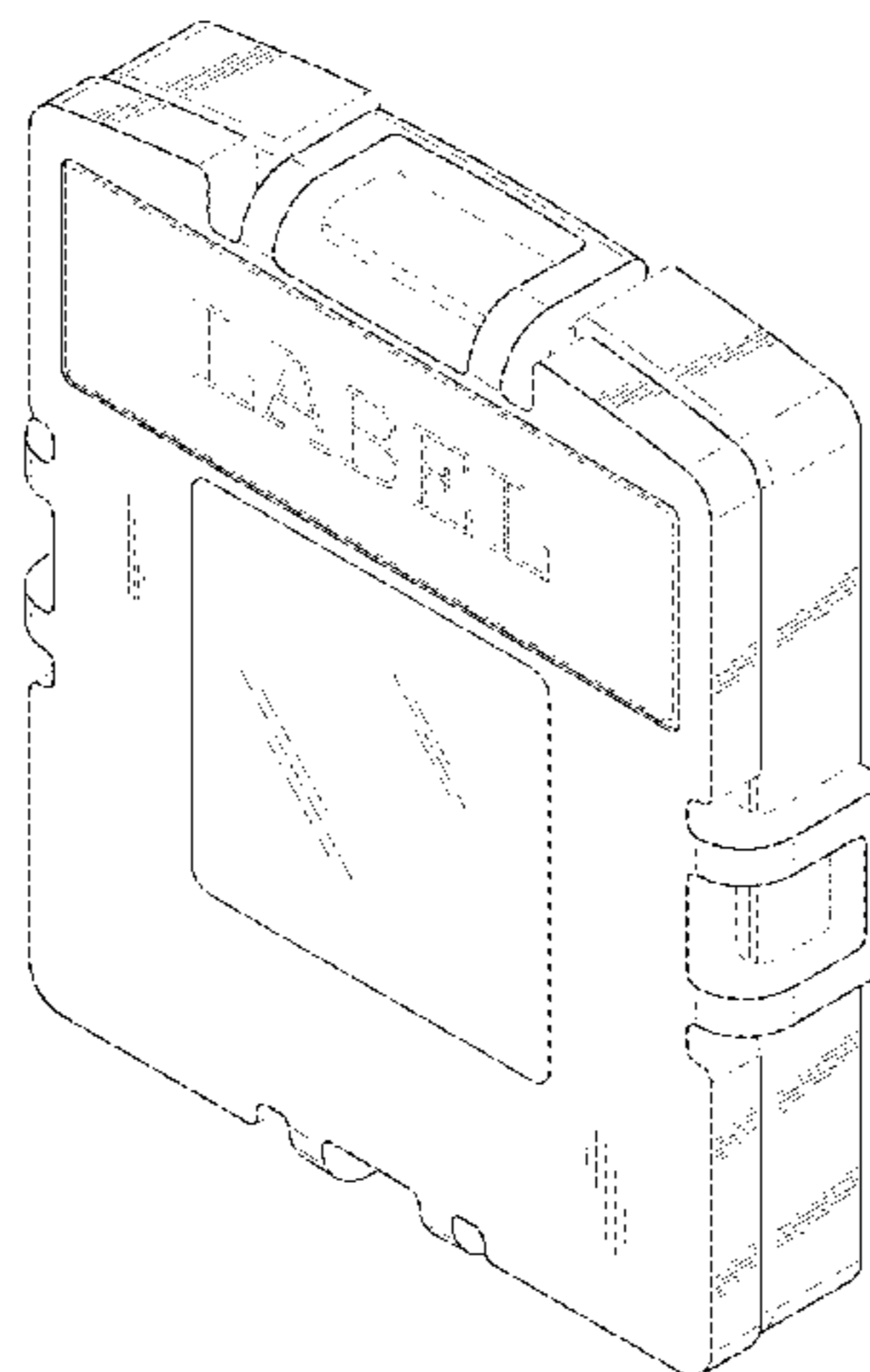
U.S. PATENT DOCUMENTS

- 4,495,289 A * 1/1985 Lyman C12M 23/38
422/504
- D324,426 S * 3/1992 Fan et al. D24/226
- D329,096 S * 9/1992 Herring D24/226
- D378,941 S * 4/1997 Lahm D24/224
- D380,554 S * 7/1997 Leiva et al. D24/224
- D384,164 S * 9/1997 Leiva et al. D24/223

(Continued)

The broken lines immediately adjacent the shaded areas represent the bounds of the claim, and all other broken lines represent unclaimed portions of the biological array holder. None of the broken lines form a part of the claimed design. The ornamental design for a biological array holder capable of being used for analysis of biological samples.

1 Claim, 10 Drawing Sheets



US D749,234 S

Page 2

(56)

References Cited

U.S. PATENT DOCUMENTS

D430,939 S * 9/2000 Zukor et al. D24/216
D473,318 S * 4/2003 Barbera-Guillem D24/225
D491,273 S * 6/2004 Biegler et al. D24/216

D547,879 S * 7/2007 Lee D24/223
D561,905 S * 2/2008 Ramel et al. D24/216
D637,733 S * 5/2011 Wei D24/226
D681,843 S * 5/2013 Nemeth D24/224

* cited by examiner

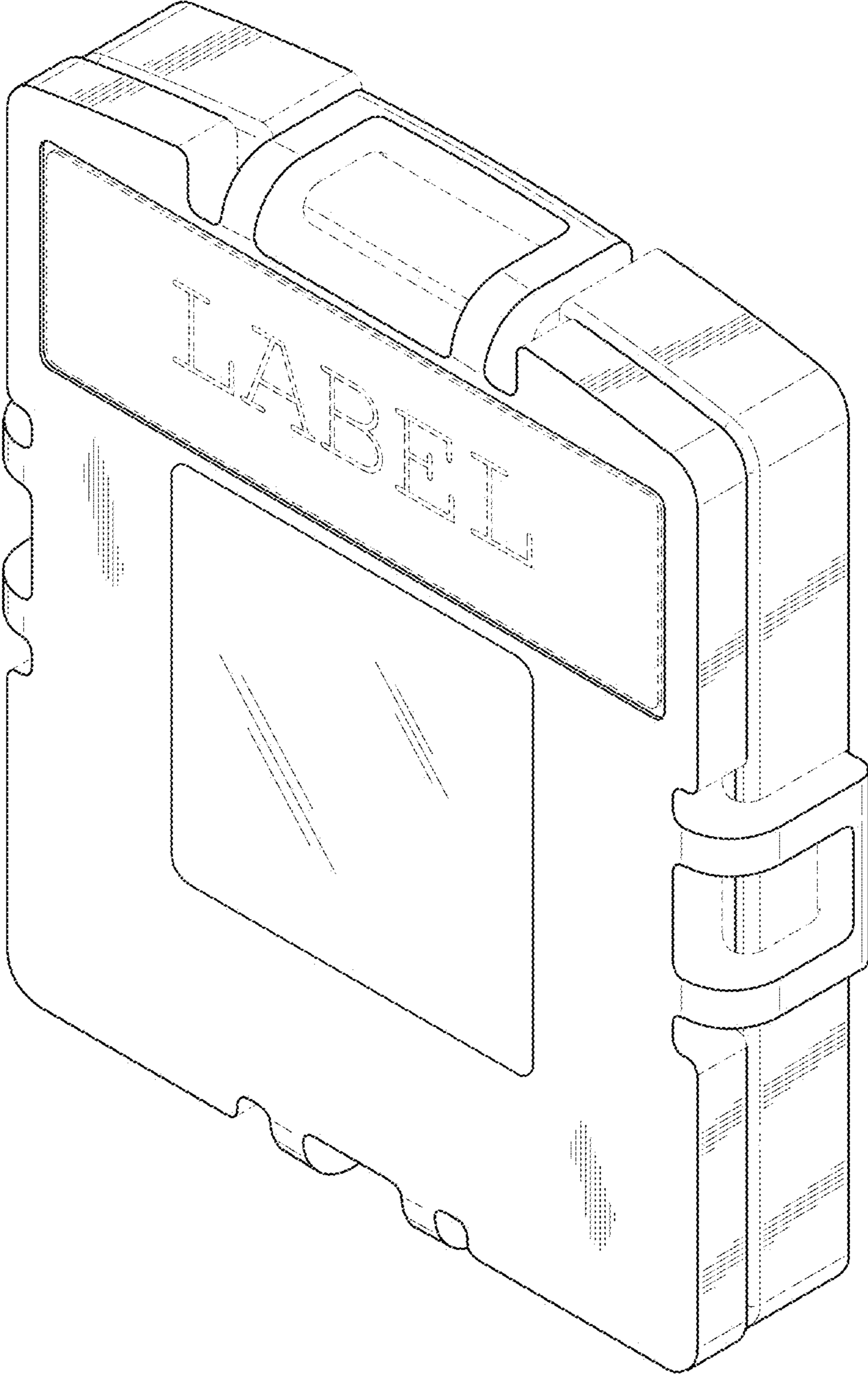


FIG. 1

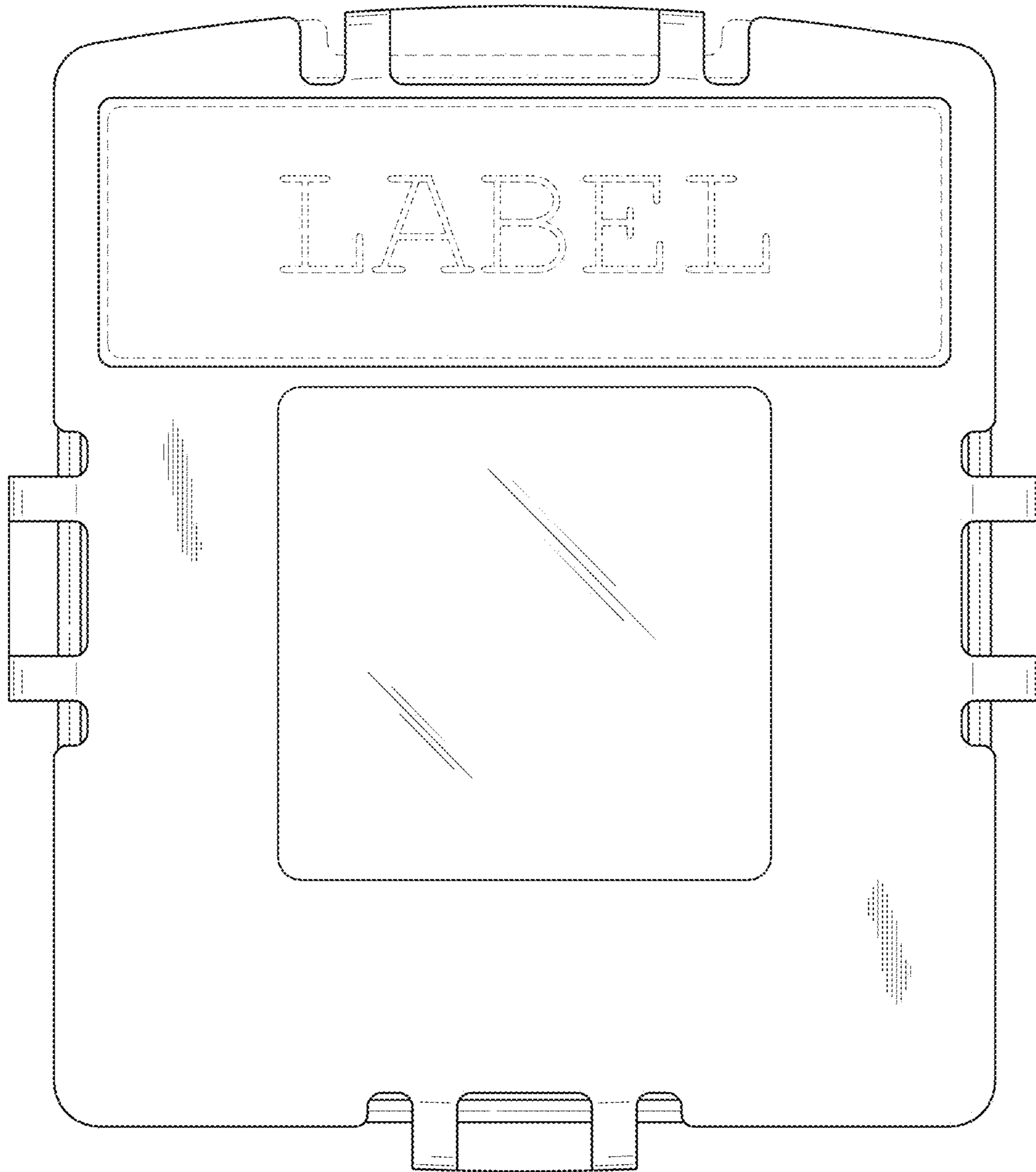


FIG. 2

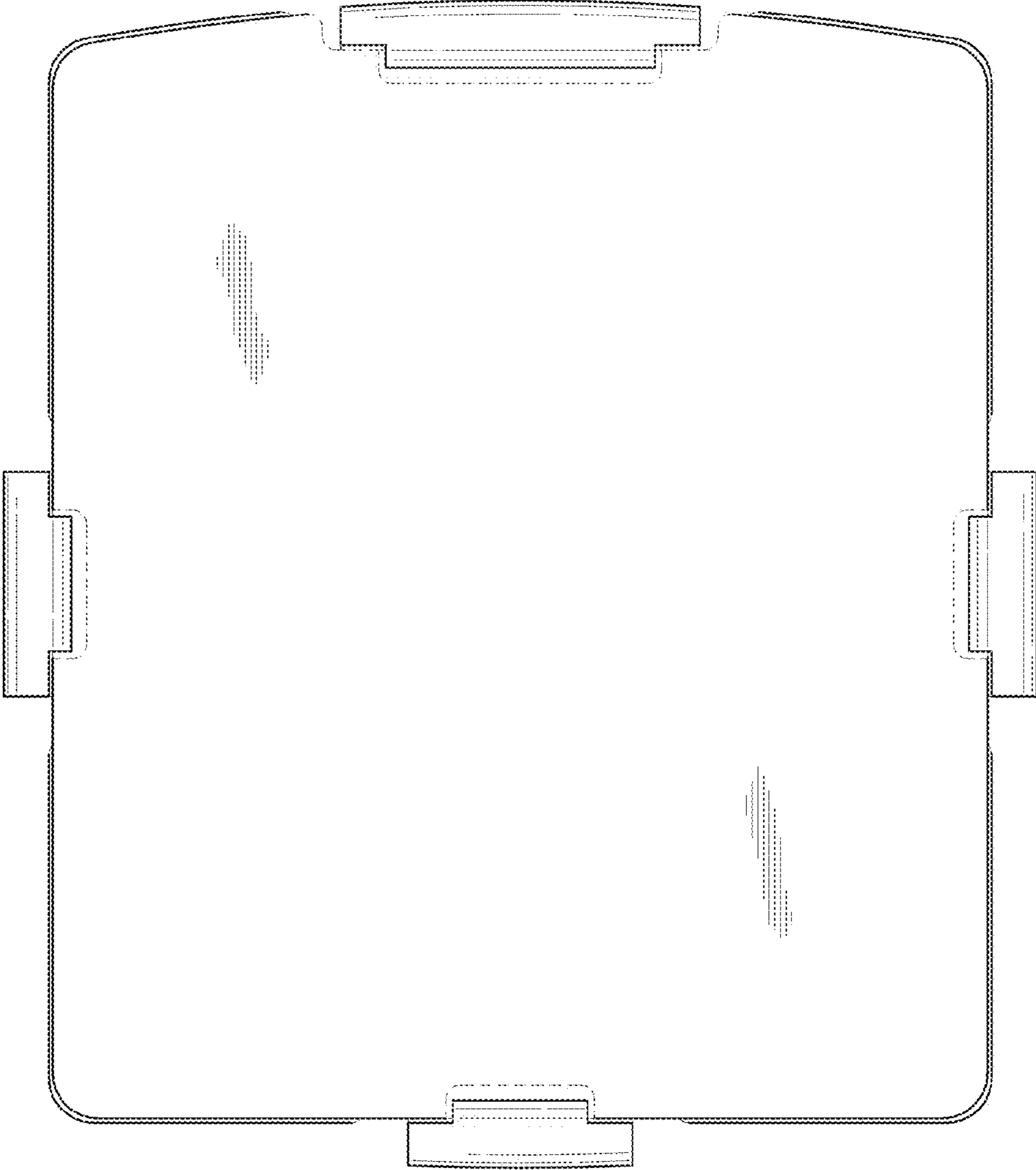


FIG. 3

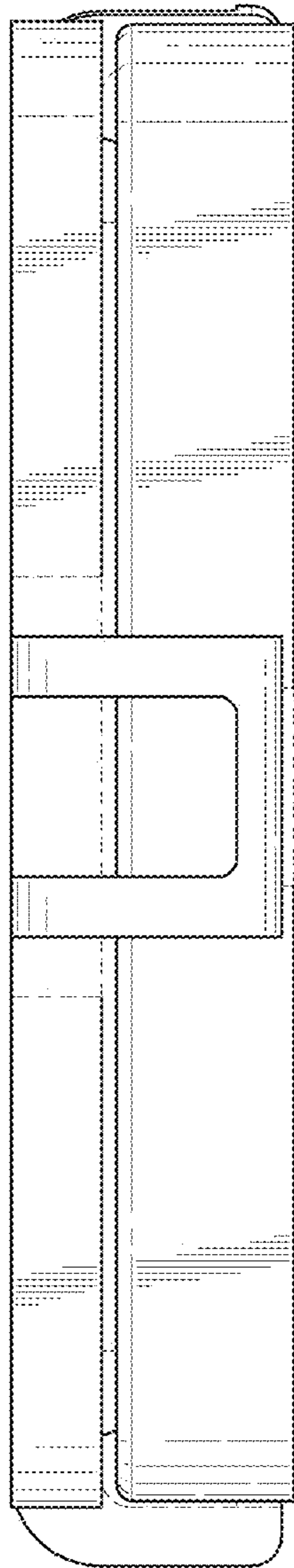


FIG. 4

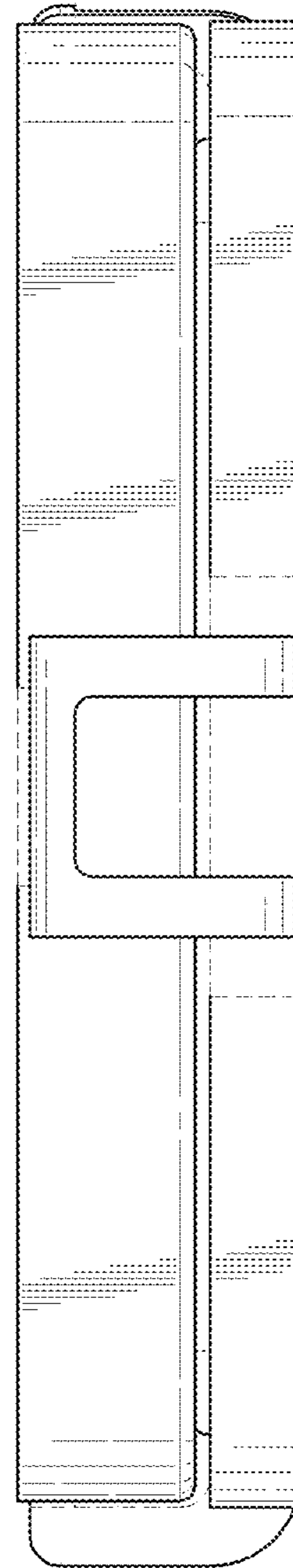


FIG. 5

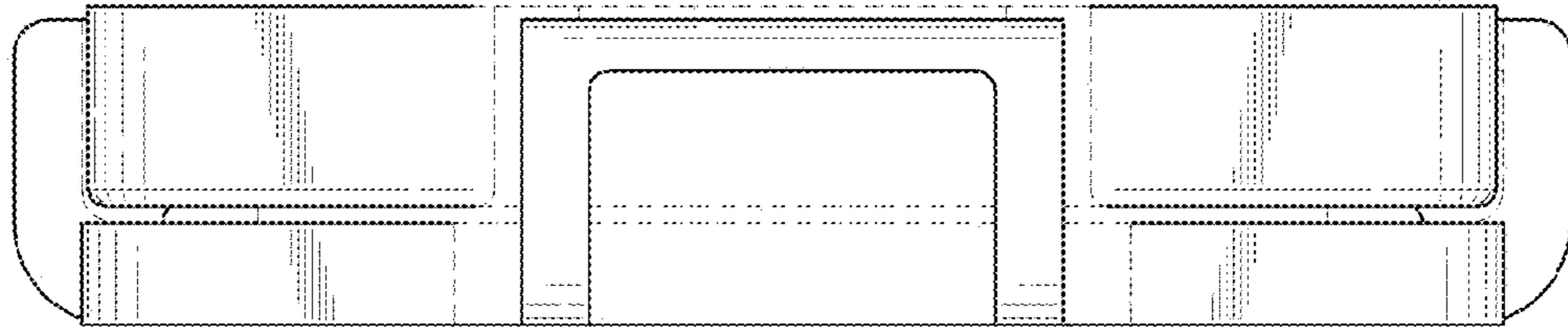


FIG. 6

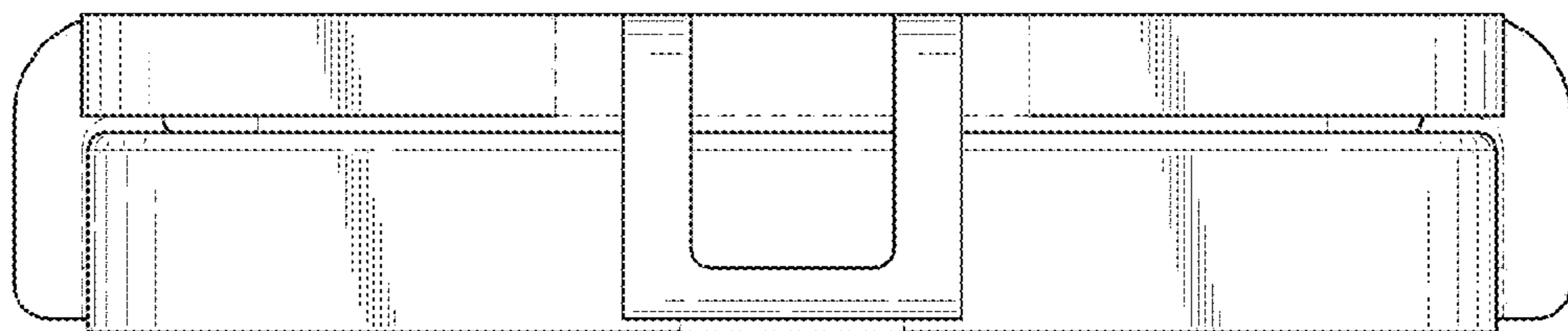


FIG. 7

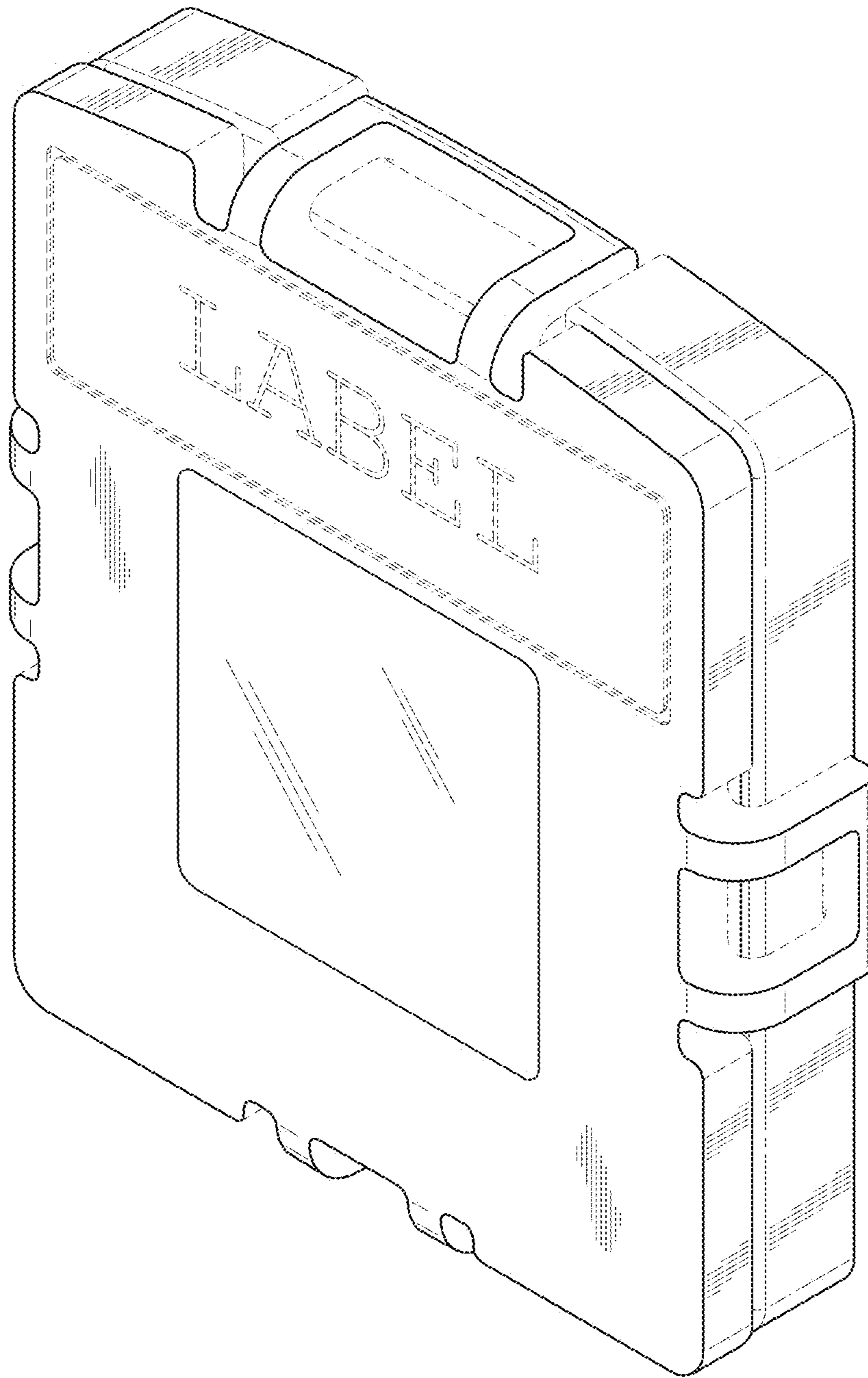


FIG. 8

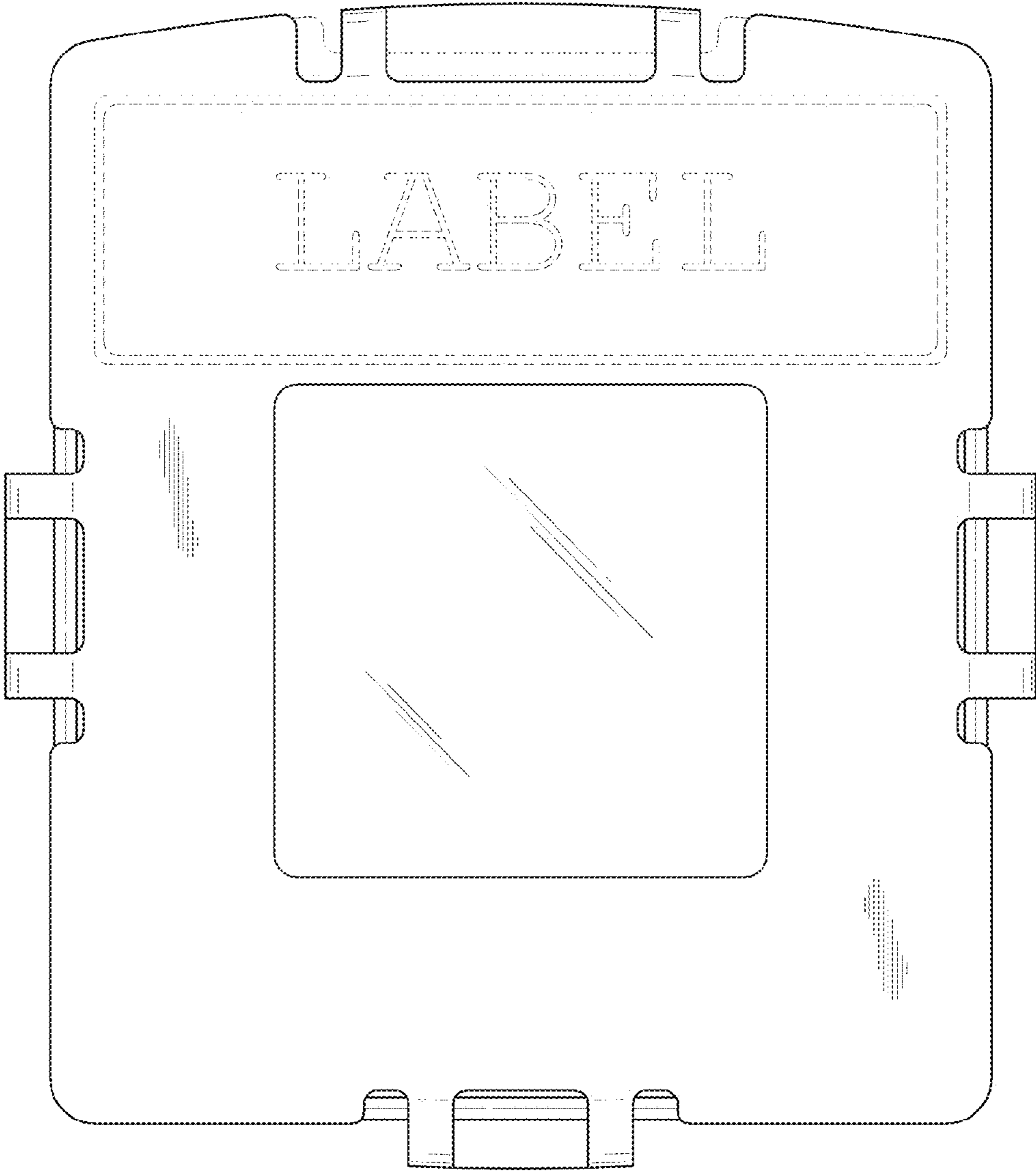


FIG. 9

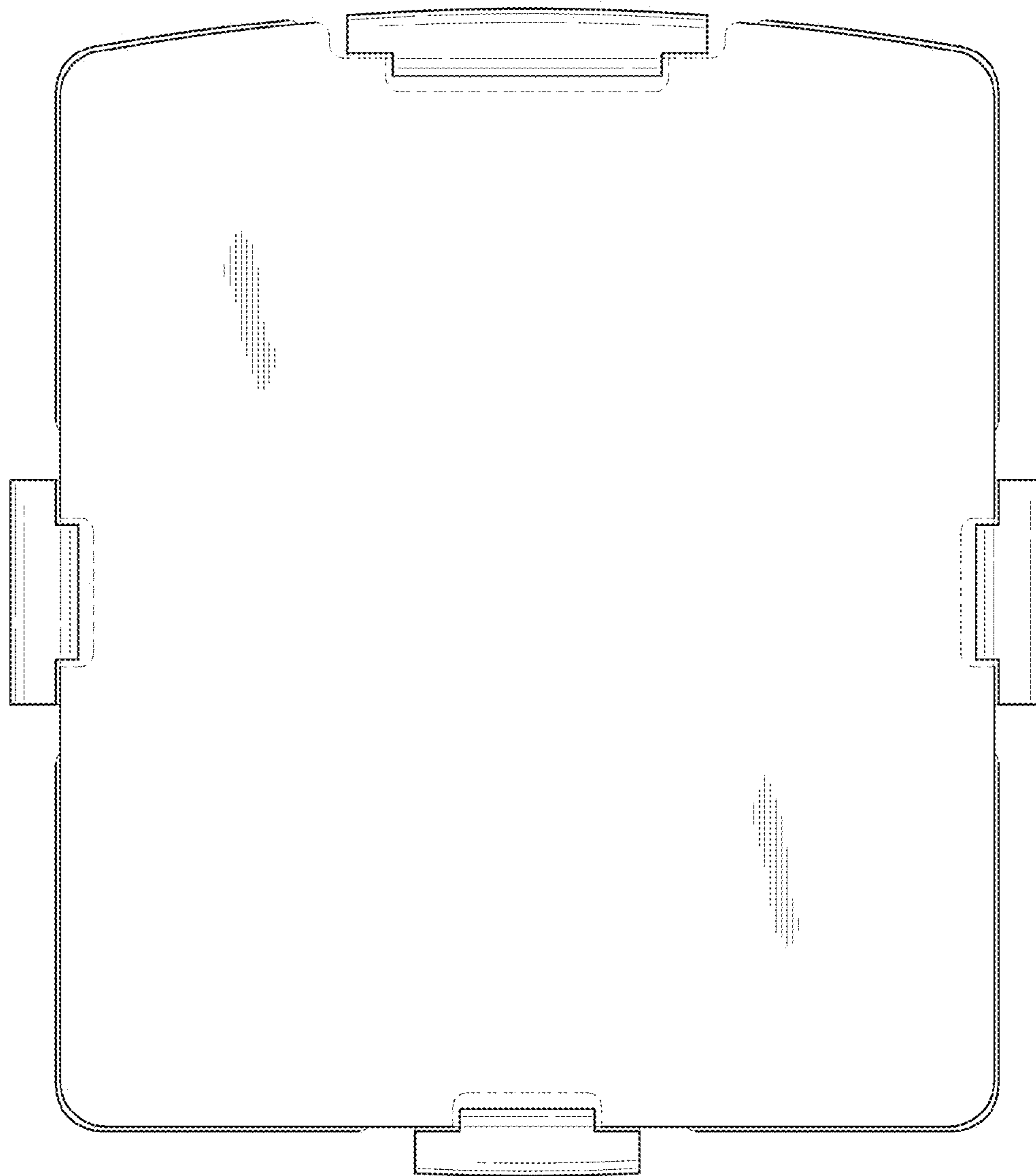


FIG. 10

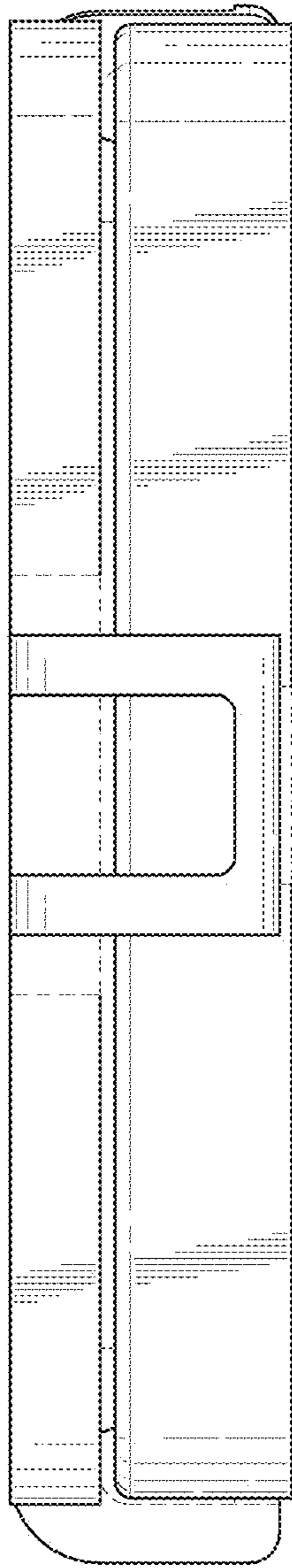


FIG. 11

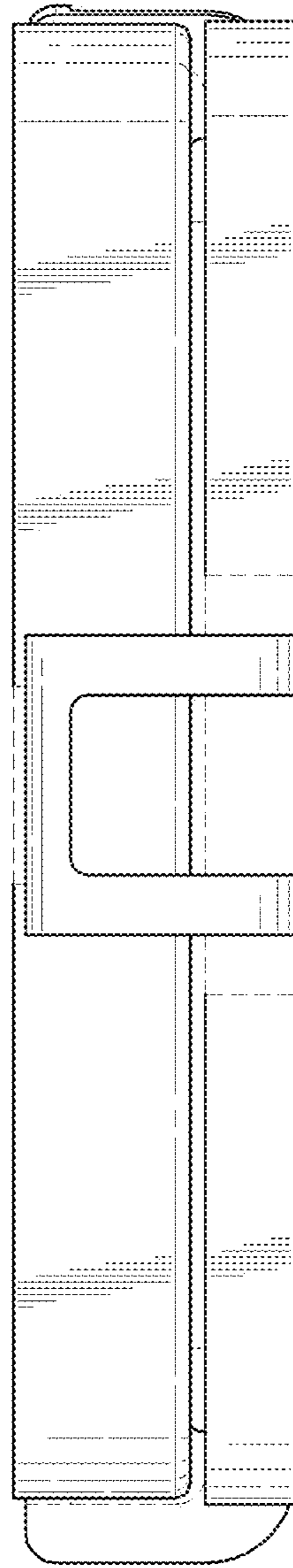


FIG. 12

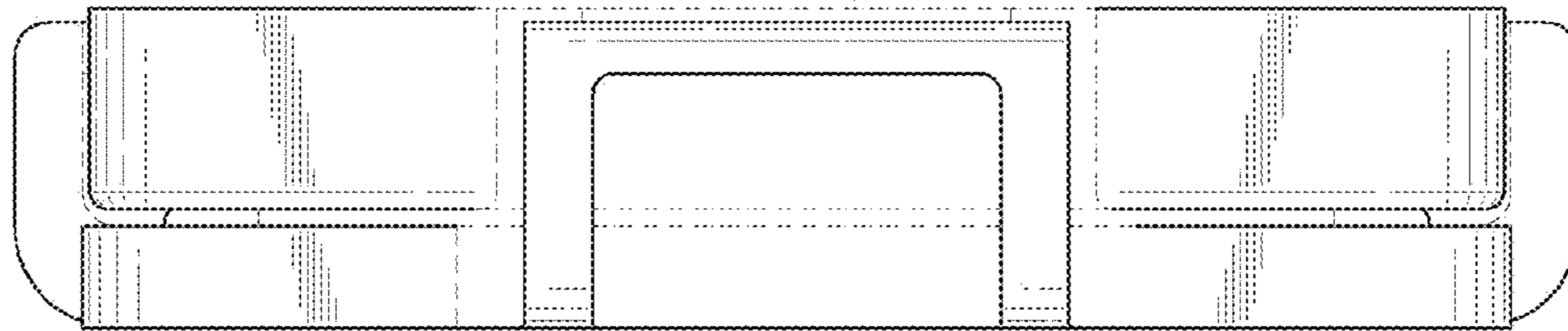


FIG. 13

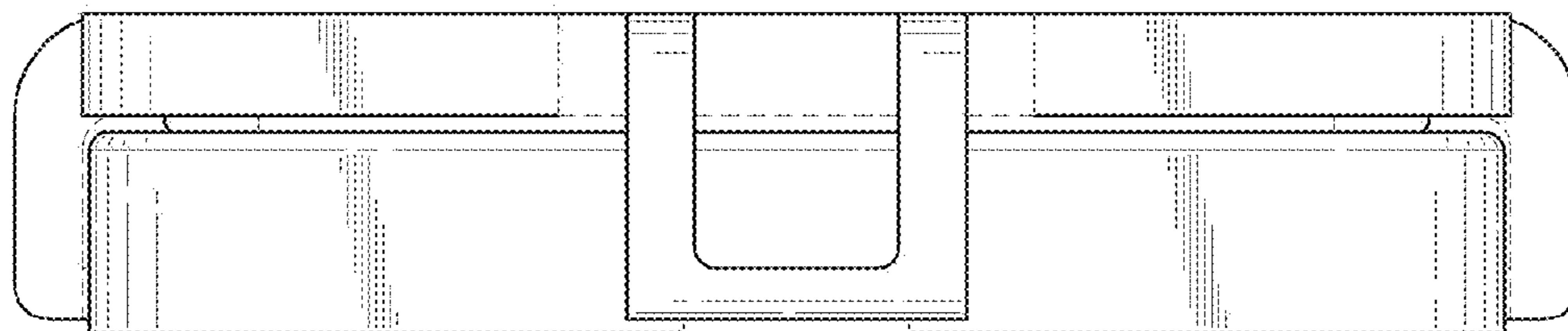


FIG. 14