



US00D749233S

(12) **United States Design Patent**  
**Phillips**

(10) **Patent No.:** **US D749,233 S**  
(45) **Date of Patent:** **\*\* Feb. 9, 2016**

- (54) **MESSAGE ROLLER**
- (71) Applicant: **IMPLUS FOOTCARE, LLC**, Durham, NC (US)
- (72) Inventor: **Peter L. Cassidy Phillips**, Austin, TX (US)
- (73) Assignee: **IMPLUS FOOTCARE, LLC**, Durham, NC (US)
- (\*\*) Term: **14 Years**
- (21) Appl. No.: **29/523,680**
- (22) Filed: **Apr. 13, 2015**

- 1,111,427 A 9/1914 Archibald
- 1,688,764 A 10/1928 Trankowski et al.
- 1,780,479 A 11/1930 Griffith
- 2,079,311 A 5/1937 Blumenthal
- 2,266,859 A 12/1941 Grampp
- 2,345,438 A 3/1944 Tompkins
- 2,546,095 A 3/1951 Gustlin
- 2,728,926 A 1/1956 Emery

(Continued)

**OTHER PUBLICATIONS**

The Grid foam roller, "Roll With It: Self-Massage Never Felt So Good" article, 1 pg. Competitor.com, Jan. 2010.\*

(Continued)

*Primary Examiner* — Sandra Snapp

(74) *Attorney, Agent, or Firm* — Buchanan Ingersoll & Rooney PC

**Related U.S. Application Data**

- (63) Continuation of application No. 12/657,111, filed on Jan. 13, 2010, now Pat. No. 9,005,146.
- (60) Provisional application No. 61/204,822, filed on Jan. 13, 2009.
- (51) **LOC (10) Cl.** ..... **28-03**
- (52) **U.S. Cl.**  
USPC ..... **D24/211**
- (58) **Field of Classification Search**  
USPC ..... D24/200, 211, 212, 213, 214, 215;  
601/19, 27-32, 46, 49, 52, DIG. 12,  
601/DIG. 14, DIG. 15, DIG. 16, DIG. 17;  
D21/685  
CPC ..... A61H 19/30; A61H 19/32; A61H 19/34;  
A61H 19/40; A61H 19/44; A61H 19/50;  
A61H 19/00; A61H 2201/0153; A61H  
2201/0207; A61H 2201/0263; A61H  
2201/0111; A61H 2201/1253; A61H  
2205/082; A61H 2205/085; A61H 15/0085  
See application file for complete search history.

(57) **CLAIM**

The ornamental design for a massage roller, as shown and described.

**DESCRIPTION**

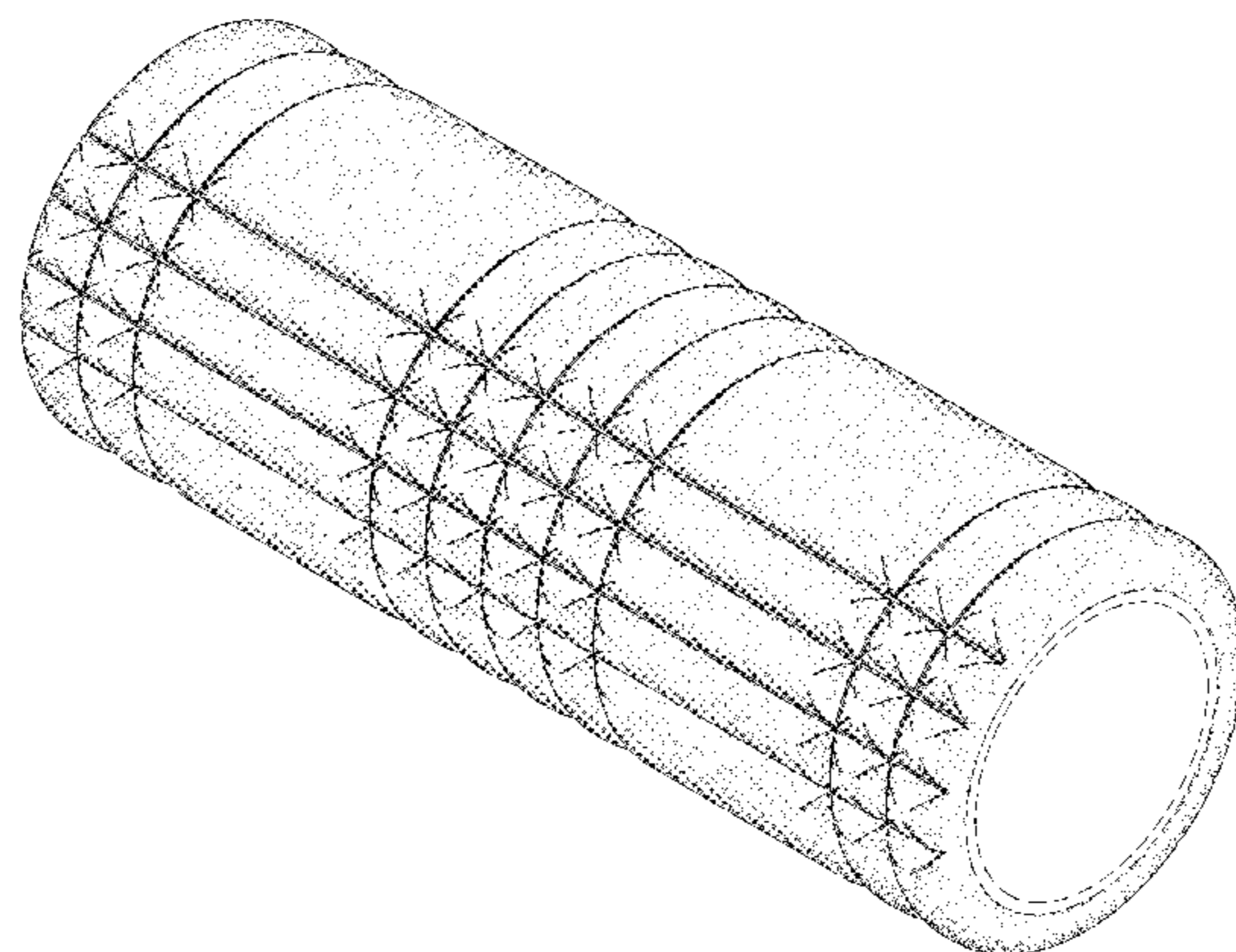
FIG. 1 is a perspective view of a massage roller showing a first embodiment of my new design.  
 FIG. 2 is a front elevational view thereof.  
 FIG. 3 is rear elevational view thereof.  
 FIG. 4 is a top plan view thereof.  
 FIG. 5 is a bottom plan view thereof.  
 FIG. 6 is a right end elevational view thereof.  
 FIG. 7 is a left end elevational view thereof.  
 FIG. 8 is a perspective view of a massage roller showing a second embodiment of my new design.  
 FIG. 9 is a front elevational view thereof.  
 FIG. 10 is rear elevational view thereof.  
 FIG. 11 is a top plan view thereof.  
 FIG. 12 is a bottom plan view thereof.  
 FIG. 13 is a right end elevational view thereof; and,  
 FIG. 14 is a left end elevational view thereof.  
 The use of broken lines in the drawings illustrate environmental structure that forms no part of the claimed design.

(56) **References Cited**

**U.S. PATENT DOCUMENTS**

- 444,597 A 1/1891 Lichtenstadt et al.
- 718,594 A 1/1903 Bailey

**1 Claim, 12 Drawing Sheets**



(56)

References Cited

U.S. PATENT DOCUMENTS

2,773,498 A 12/1956 Himmelman  
 2,785,739 A 3/1957 McGregor, Jr. et al.  
 D180,564 S 7/1957 Nakamura  
 3,196,868 A 7/1965 Johnston  
 3,205,888 A 9/1965 Stroop  
 3,312,583 A 4/1967 Rochlis  
 3,389,699 A 6/1968 Mathers  
 3,415,514 A 12/1968 Weihs  
 3,419,268 A 12/1968 Bellet  
 3,548,814 A 12/1970 Montgomery et al.  
 3,604,026 A 9/1971 Scheips  
 3,645,256 A 2/1972 Morrison  
 3,662,748 A 5/1972 Thurman  
 3,664,334 A 5/1972 O'Neil  
 3,684,618 A 8/1972 Geschwender  
 3,722,113 A 3/1973 Birkenstock  
 3,885,257 A 5/1975 Rogers  
 4,020,519 A 5/1977 Robison  
 4,037,591 A 7/1977 Sarno  
 4,052,982 A 10/1977 Ozeryansky  
 4,067,324 A \* 1/1978 Greenawalt ..... A61H 15/0092  
 601/120  
 4,070,719 A 1/1978 Morgan  
 4,109,649 A 8/1978 Iyomasa  
 4,127,116 A 11/1978 Pannetier  
 4,167,940 A 9/1979 Ruf  
 4,207,878 A 6/1980 Duncan  
 D256,841 S \* 9/1980 Corbett ..... D24/211  
 4,421,110 A 12/1983 DeLisle et al.  
 D274,649 S \* 7/1984 Shiu ..... D24/212  
 D280,337 S 8/1985 Hood  
 D285,117 S 8/1986 Snyder  
 4,741,058 A 5/1988 Williams et al.  
 4,744,350 A 5/1988 Sato  
 4,755,408 A 7/1988 Noel  
 4,782,823 A 11/1988 Yamasaki  
 4,845,863 A 7/1989 Yung-Mao  
 4,896,441 A 1/1990 Galasso  
 4,901,387 A 2/1990 Luke  
 4,936,294 A 6/1990 Chu  
 D310,610 S 9/1990 Dixon  
 D317,236 S 6/1991 Dixon  
 5,111,542 A 5/1992 Farley  
 5,123,406 A 6/1992 Masuda  
 5,131,383 A 7/1992 Juarez  
 5,135,455 A 8/1992 King et al.  
 D329,566 S 9/1992 Davidson, Jr.  
 5,160,785 A 11/1992 Davidson, Jr.  
 5,228,158 A 7/1993 Park  
 D343,661 S 1/1994 Hur  
 D346,450 S 4/1994 Bruno  
 5,345,990 A 9/1994 Potts  
 D355,322 S 2/1995 Ackley et al.  
 5,389,063 A 2/1995 Wu  
 D357,952 S 5/1995 Chen  
 5,411,470 A 5/1995 Liptak et al.  
 D361,132 S 8/1995 Lee  
 5,488,755 A 2/1996 Chang  
 5,533,953 A 7/1996 Lui et al.  
 5,554,102 A 9/1996 Chiou  
 5,575,760 A 11/1996 Masuda  
 5,588,953 A 12/1996 Chang  
 5,643,181 A 7/1997 Lin  
 5,675,850 A 10/1997 Schmitt  
 5,735,804 A 4/1998 Chan  
 5,766,210 A 6/1998 Komoroczy et al.  
 5,845,350 A 12/1998 Beemiller et al.  
 D414,875 S 10/1999 Sirois et al.  
 5,960,497 A 10/1999 Castellino et al.  
 D417,319 S 11/1999 Weiss, Jr.  
 6,065,210 A 5/2000 Bove  
 6,098,313 A 8/2000 Skaja  
 6,105,279 A 8/2000 Bouchoms  
 6,129,687 A \* 10/2000 Powell ..... A61H 15/02  
 220/4.07

6,165,145 A 12/2000 Noble  
 6,176,841 B1 1/2001 Tso  
 6,269,500 B1 8/2001 Saringer  
 6,306,109 B1 10/2001 Polychronis  
 6,312,400 B1 11/2001 Itikawa et al.  
 6,360,388 B2 3/2002 Langer  
 6,378,152 B1 4/2002 Washburn et al.  
 6,398,694 B1 \* 6/2002 Bountourakis .. A63B 21/00069  
 482/109  
 6,419,650 B1 7/2002 Ryan et al.  
 6,449,788 B1 9/2002 Nichols  
 6,764,456 B1 7/2004 Doherty  
 D495,422 S 8/2004 Chen  
 6,988,286 B2 1/2006 Schecter et al.  
 7,037,278 B2 5/2006 Dabir  
 D527,830 S \* 9/2006 Chien ..... D24/211  
 D529,326 S 10/2006 Martin et al.  
 7,124,520 B2 10/2006 Galbraith et al.  
 7,203,983 B1 4/2007 Reeves et al.  
 7,250,033 B2 7/2007 Beirut  
 7,254,852 B2 8/2007 Martin  
 D567,955 S 4/2008 Fink  
 7,387,599 B1 6/2008 Hsu  
 D572,417 S 7/2008 McKay  
 D573,262 S \* 7/2008 Soucy ..... D24/211  
 D577,467 S 9/2008 McKay  
 7,500,282 B1 3/2009 Park  
 D592,313 S 5/2009 Levine  
 D598,562 S \* 8/2009 Chen ..... D24/211  
 D605,778 S 12/2009 Moon  
 D613,349 S \* 4/2010 Metti ..... D21/662  
 D617,131 S 6/2010 Sprouse, II  
 7,819,828 B2 10/2010 Anderson  
 D626,706 S 11/2010 Ragonetti  
 7,914,471 B2 3/2011 Chen  
 7,918,774 B2 4/2011 Dye  
 D637,244 S \* 5/2011 Davis ..... D21/662  
 D643,540 S 8/2011 Jian et al.  
 D647,980 S \* 11/2011 Davis ..... D21/662  
 D655,056 S 2/2012 Blair  
 D657,065 S 4/2012 Matsushita  
 D660,450 S 5/2012 Johnson  
 D670,817 S 11/2012 Narevsky  
 D674,107 S \* 1/2013 Prudent ..... D24/211  
 D682,436 S \* 5/2013 Lowsky ..... D24/193  
 D692,569 S 10/2013 Samurin  
 D693,934 S 11/2013 Lin  
 D694,896 S 12/2013 Tai  
 D700,709 S 3/2014 Khodabakhshian  
 D713,050 S 9/2014 Kao  
 2002/0119270 A1 8/2002 Daniel, Jr.  
 2002/0193714 A1 12/2002 Pecora  
 2003/0212352 A1 11/2003 Kahn  
 2004/0204664 A1 10/2004 Chu  
 2004/0254508 A1 12/2004 Lee  
 2005/0049532 A1 3/2005 Lee  
 2005/0085749 A1 4/2005 Baerwalde et al.  
 2005/0102756 A1 5/2005 Martin  
 2005/0148910 A1 7/2005 Skover et al.  
 2005/0245851 A1 11/2005 Ferber et al.  
 2006/0211962 A1 9/2006 Ferber et al.  
 2006/0241537 A1 10/2006 Liu  
 2008/0090707 A1 4/2008 Dye  
 2008/0255484 A1 10/2008 Gueret  
 2008/0262398 A1 10/2008 Ferber et al.  
 2009/0131234 A1 5/2009 Dye  
 2009/0312691 A1 12/2009 Kim et al.  
 2013/0231594 A1 9/2013 Bennett  
 2013/0261517 A1 10/2013 Rodgers  
 2014/0128786 A1 5/2014 Ross

OTHER PUBLICATIONS

Vasa Ergometer, "Beat The Winter Blues" article, 1 pg. USA Triathlon, Winter, 2010.\*  
 The Grid Foam Roller, Athlet's OcikL Kara Lawson, WNBA Player (Connecticut Sun) article, ESPN, Dec. 2011.\*

\* cited by examiner

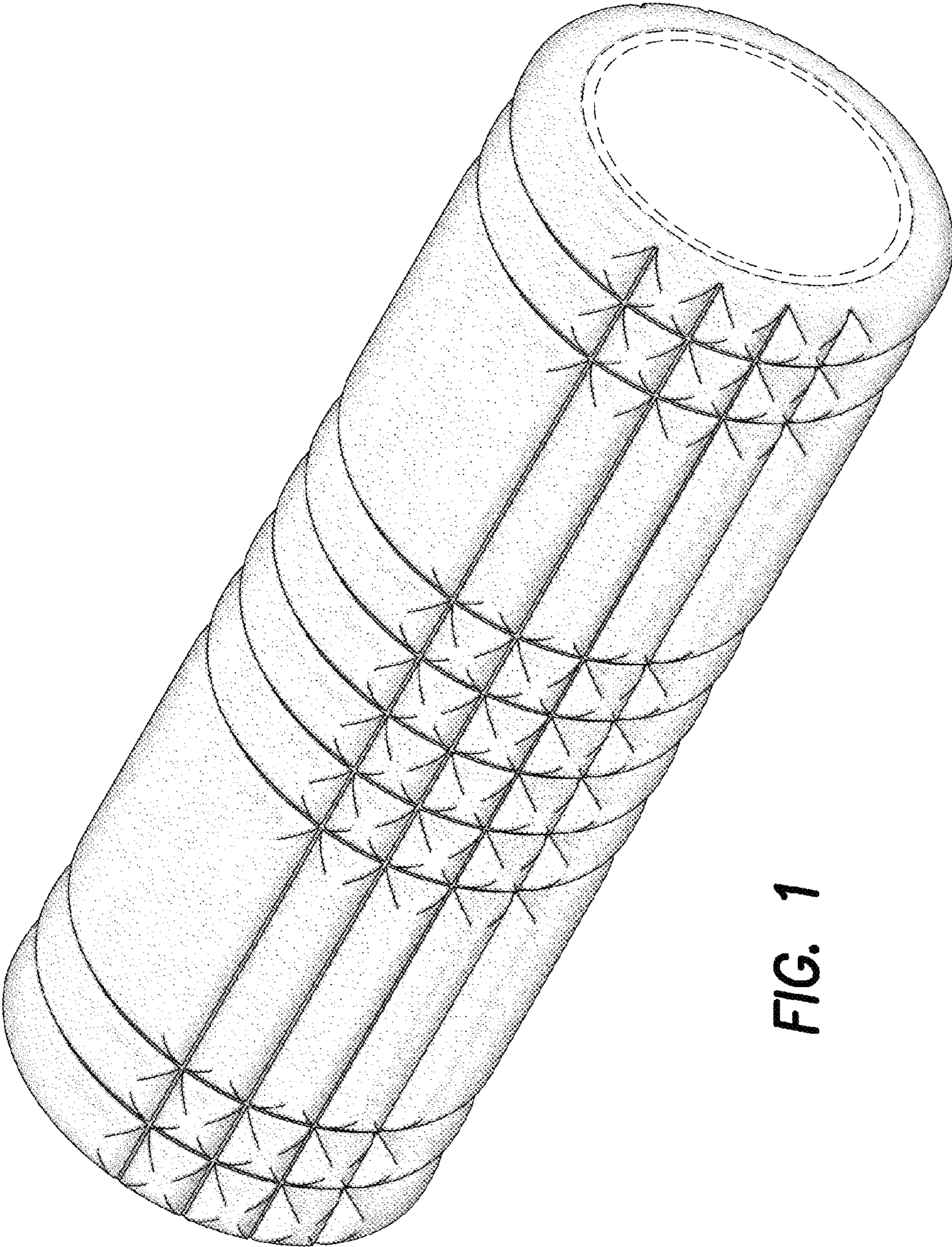
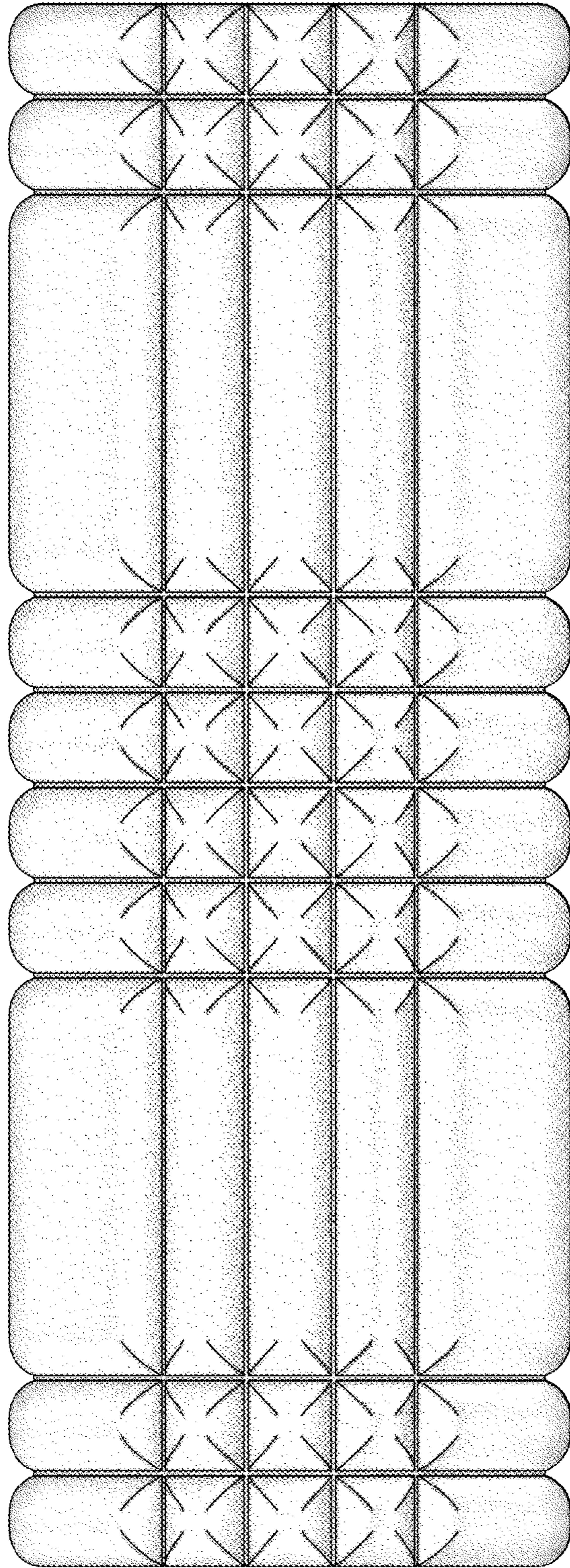
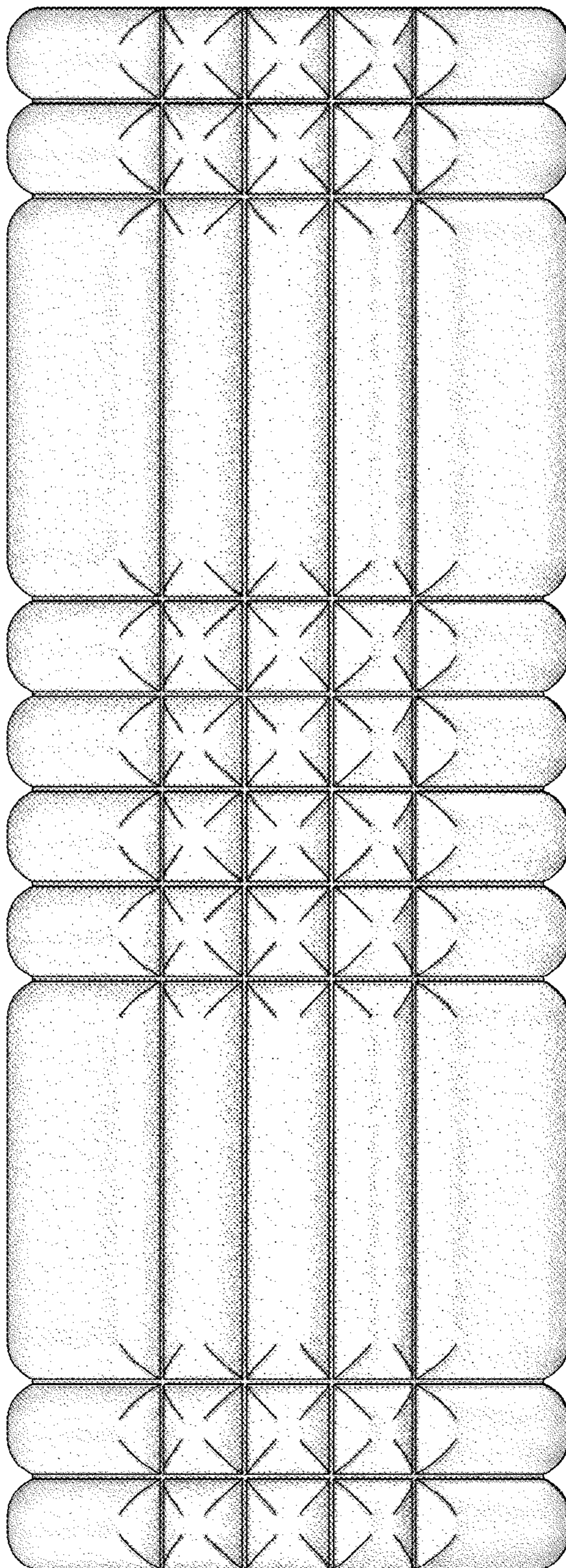


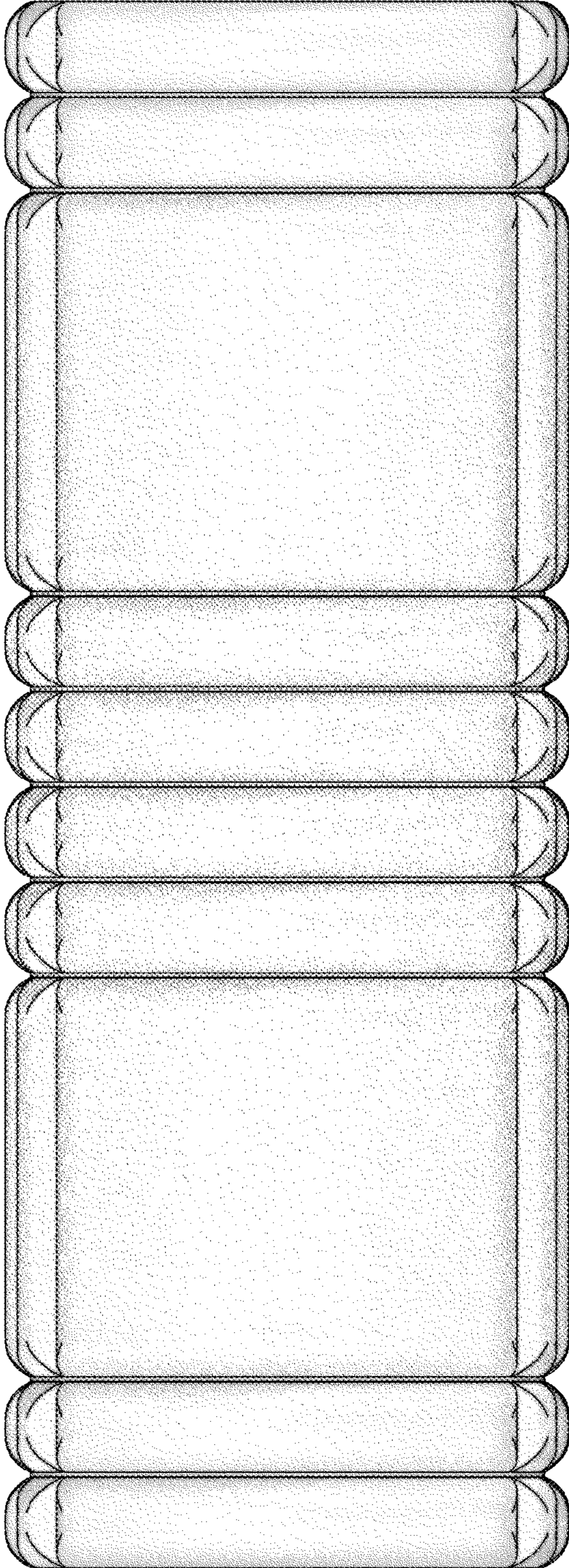
FIG. 1



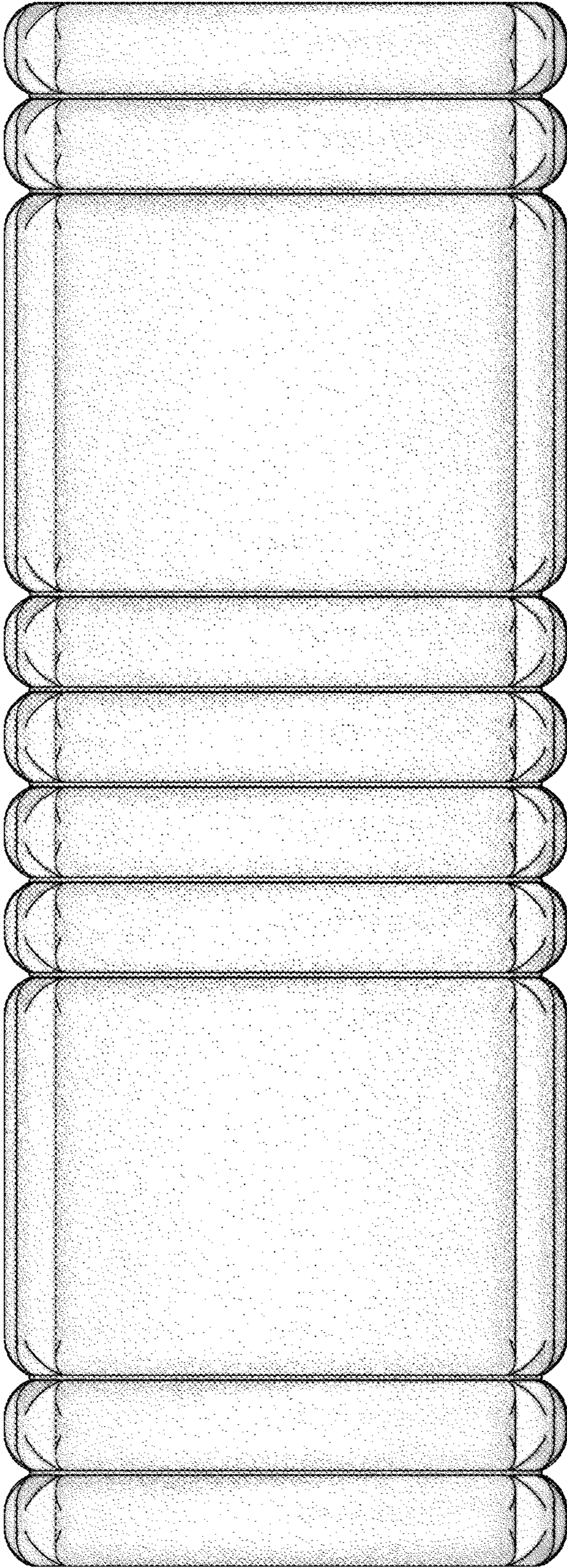
**FIG. 2**



**FIG. 3**



**FIG. 4**



**FIG. 5**

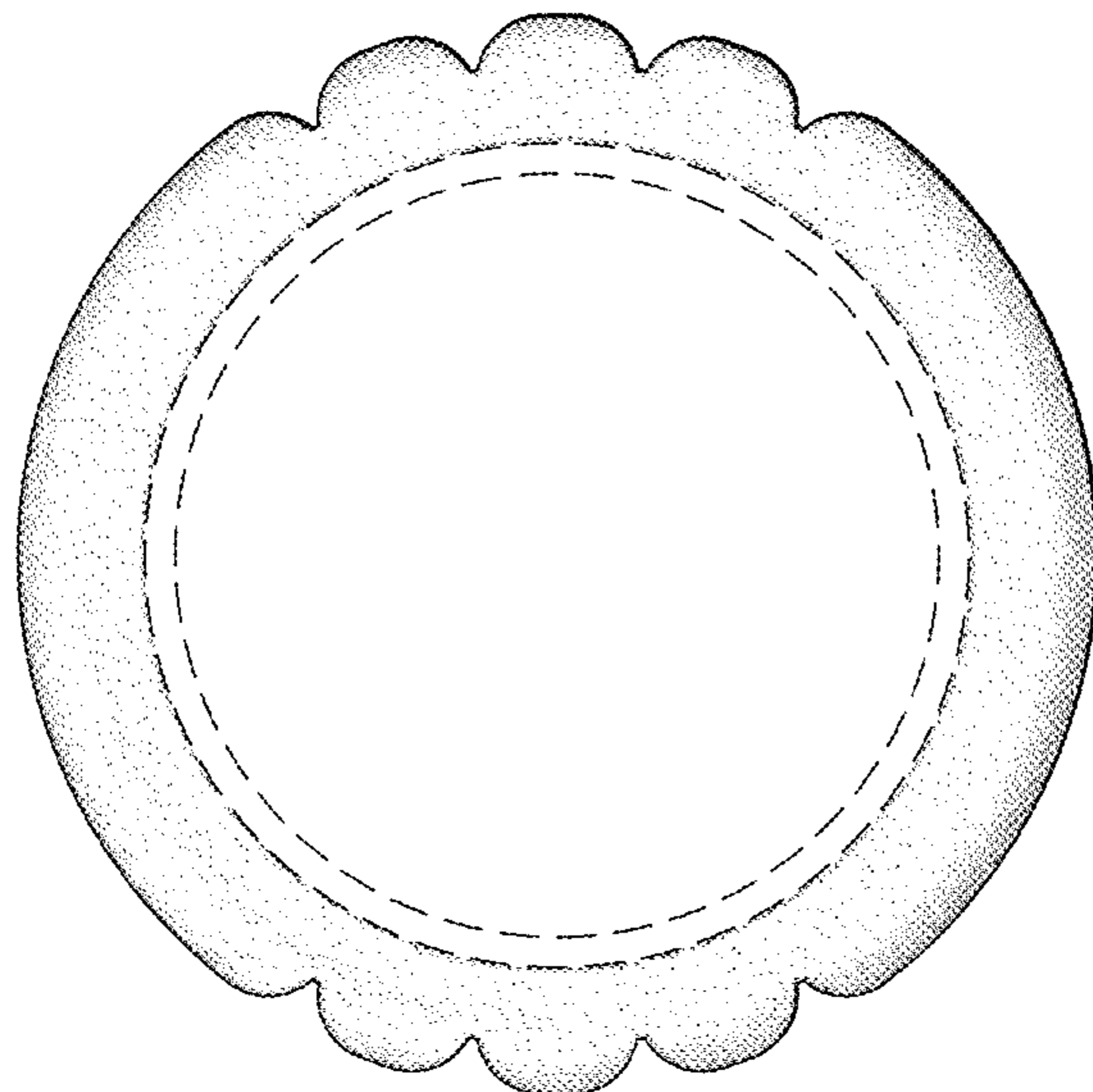


FIG. 7

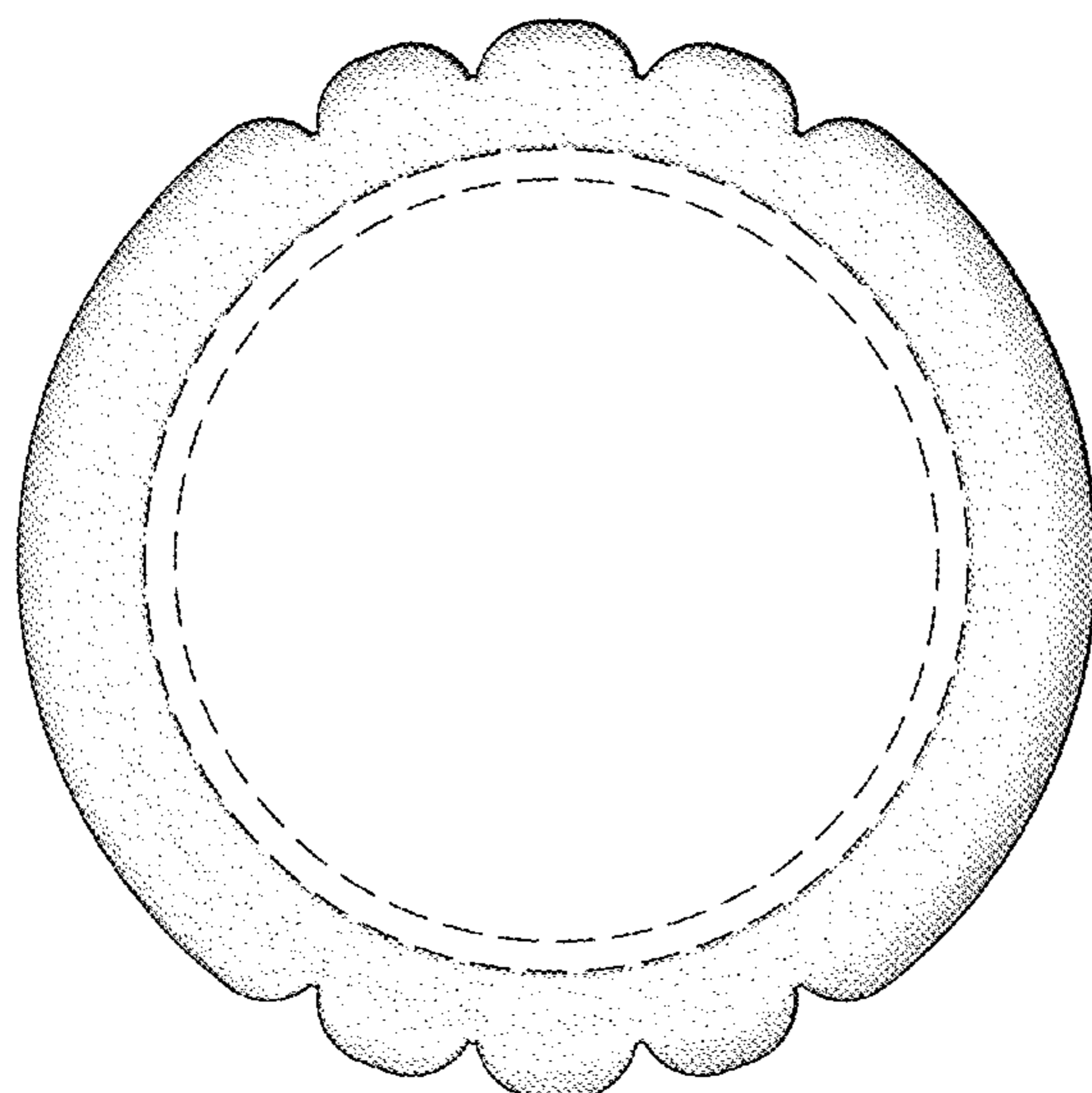
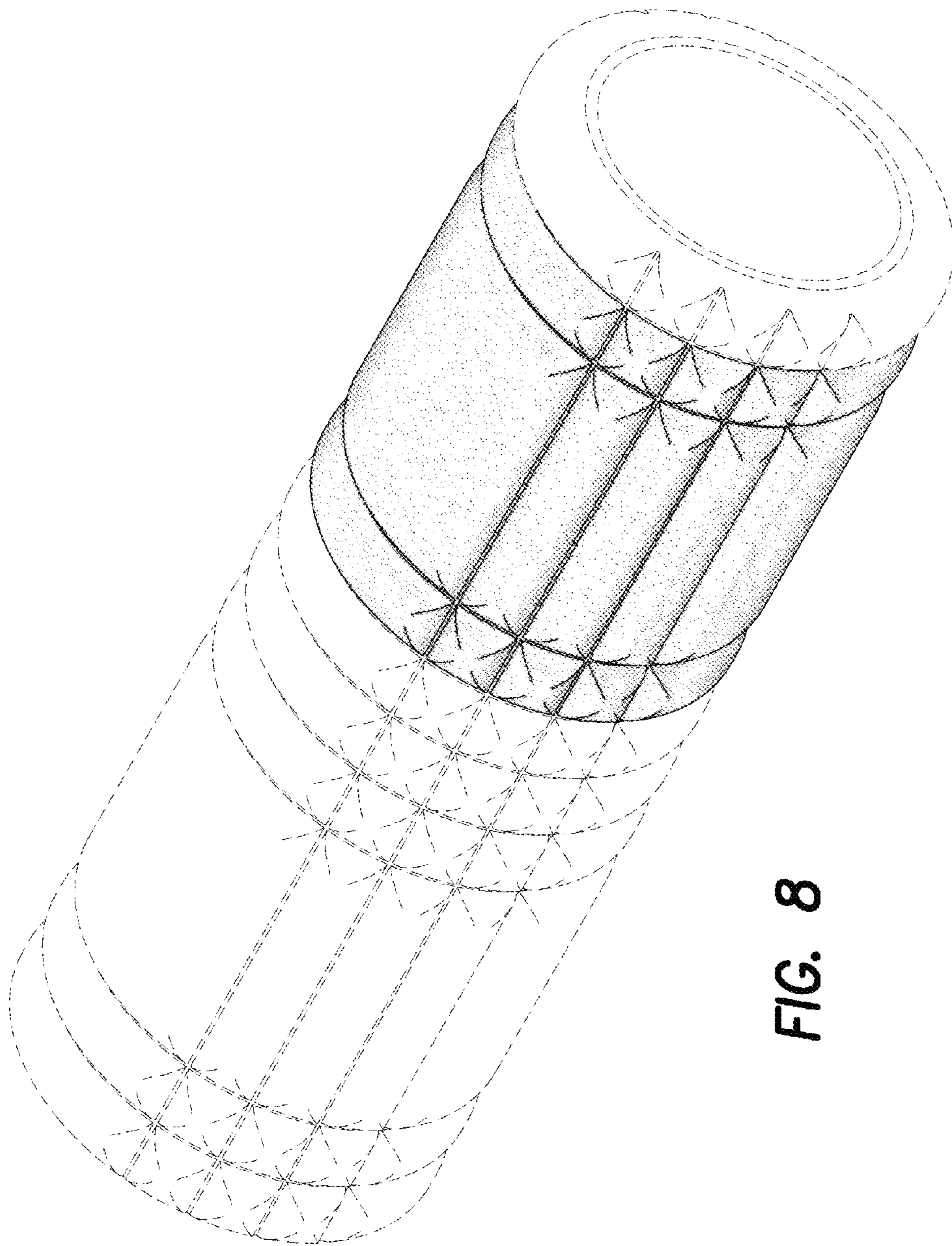
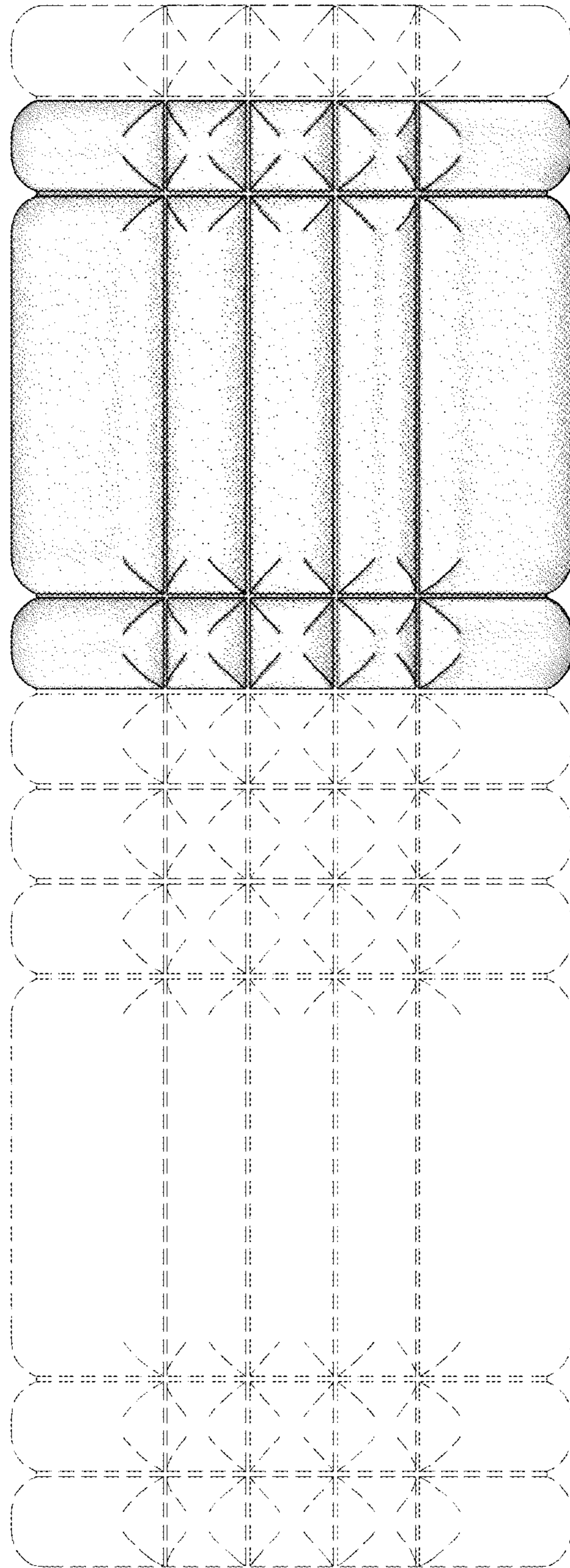


FIG. 6

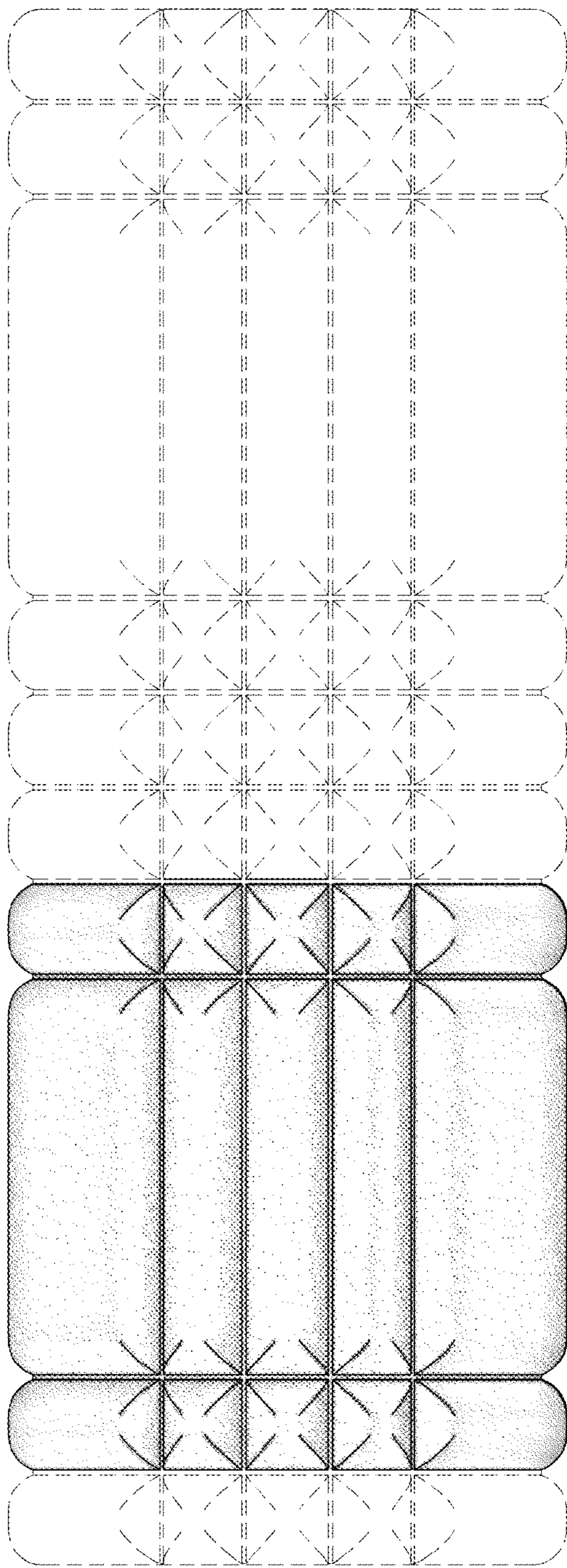




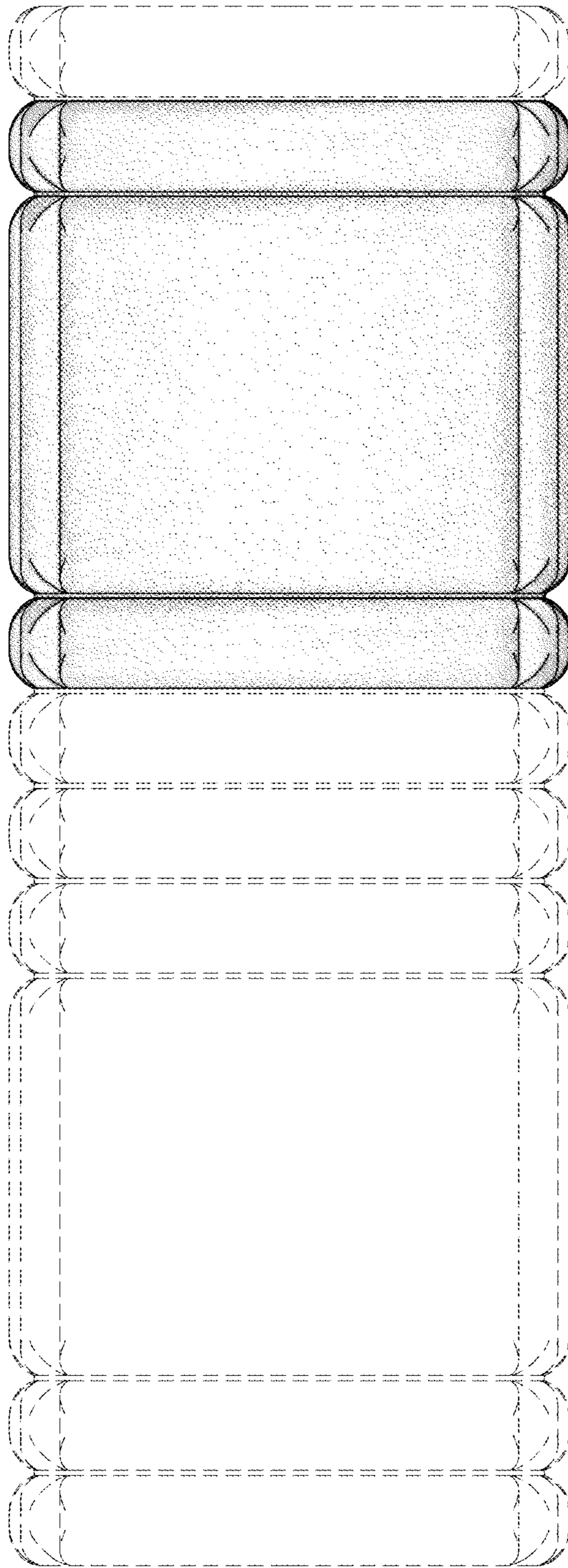
**FIG. 8**



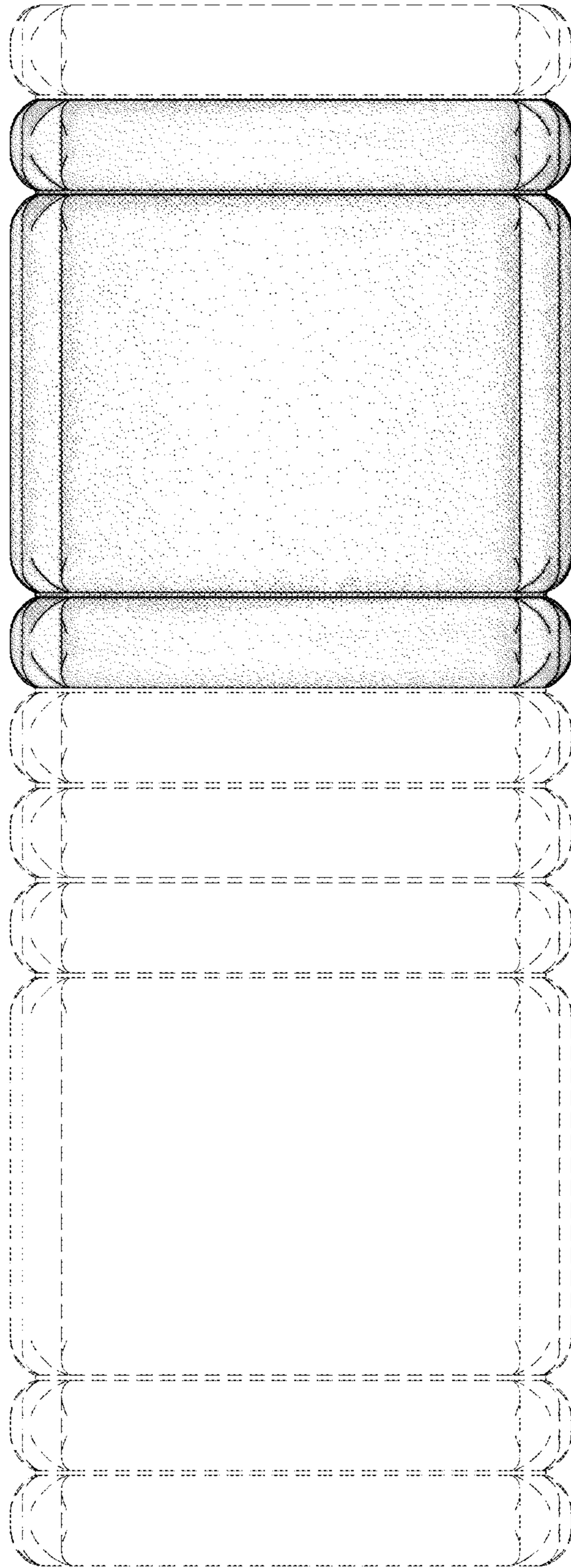
**FIG. 9**



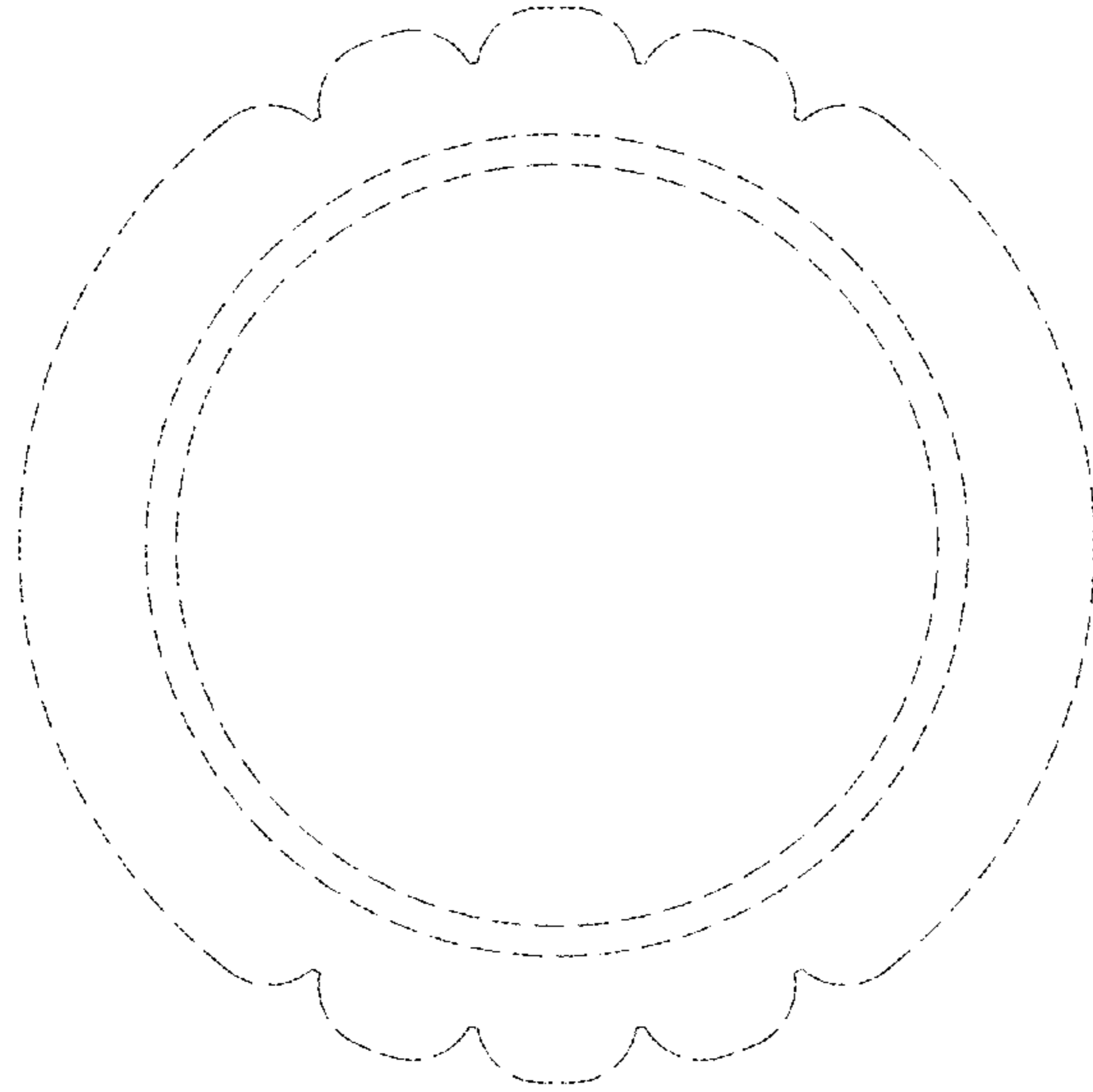
**FIG. 10**



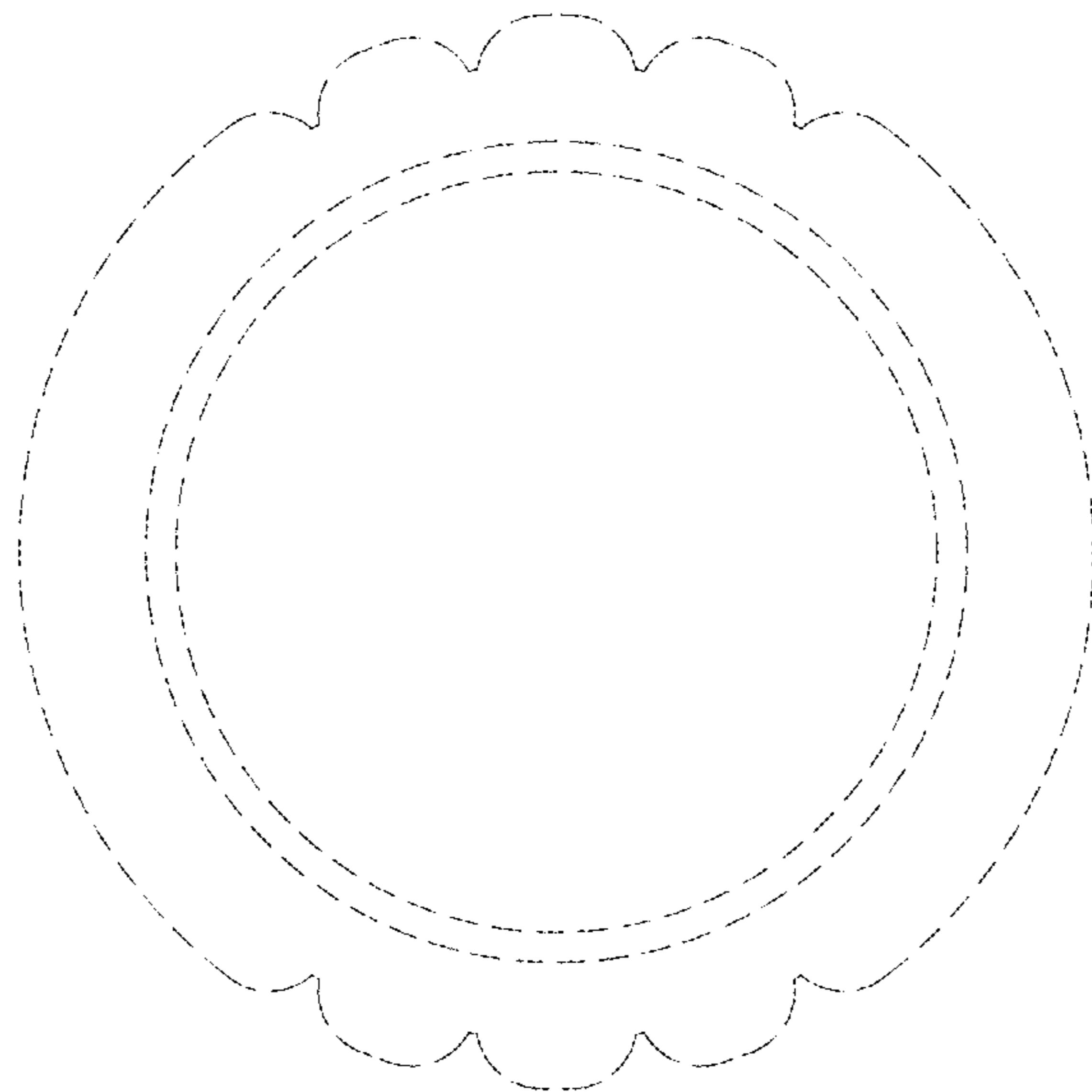
**FIG. 11**



**FIG. 12**



**FIG. 14**



**FIG. 13**