



US00D749227S

(12) **United States Design Patent**
Takama

(10) **Patent No.:** **US D749,227 S**

(45) **Date of Patent:** **** Feb. 9, 2016**

(54) **MAIN BODY OF A WEARABLE
HUMAN-MOTION-SUPPORT APPARATUS**

(71) Applicant: **CYBERDYNE Inc.**, Tsukuba-shi,
Ibaraki (JP)

(72) Inventor: **Masahiro Takama**, Tsukuba (JP)

(73) Assignee: **CYBERDYNE Inc.**, Tsukuba-Shi (JP)

(**) Term: **14 Years**

(21) Appl. No.: **29/465,826**

(22) Filed: **Aug. 30, 2013**

(30) **Foreign Application Priority Data**

Aug. 2, 2013 (JP) 2013-17706

(51) **LOC (10) Cl.** **24-04**

(52) **U.S. Cl.**
USPC **D24/190; D15/199**

(58) **Field of Classification Search**
USPC D24/190, 192; D29/121.1
See application file for complete search history.

(56) **References Cited**

U.S. PATENT DOCUMENTS

4,817,588	A *	4/1989	Bledsoe	602/16
D346,028	S *	4/1994	Lengyel	D24/190
5,980,435	A *	11/1999	Joutras et al.	482/114
6,436,065	B1 *	8/2002	Mitchell	602/19
D530,426	S *	10/2006	Muehlenberend	D24/190
D546,955	S *	7/2007	Bauerfiend et al.	D24/190
D660,971	S *	5/2012	Franke et al.	D24/192
D693,930	S *	11/2013	Manalo	D24/190
D726,925	S *	4/2015	Fraser et al.	D24/190
D731,663	S *	6/2015	Jung et al.	D24/190
2002/0188238	A1 *	12/2002	Townsend et al.	602/26
2006/0052732	A1 *	3/2006	Shimada et al.	602/5
2006/0155232	A1 *	7/2006	Ceriani	602/23
2008/0188784	A1 *	8/2008	Ceriani et al.	602/16

2010/0262052	A1 *	10/2010	Lunau et al.	602/5
2011/0009786	A1 *	1/2011	Chan	602/16
2011/0082402	A1 *	4/2011	Oddou et al.	602/16
2011/0282255	A1 *	11/2011	Nace	602/16
2013/0006159	A1 *	1/2013	Nakashima et al.	602/23
2013/0012852	A1 *	1/2013	Imaida et al.	602/16

OTHER PUBLICATIONS

Hannah Davidsson, Dagens Medicin, "Drakroboten Knut testas av stokedrabbade", Sep. 6, 2012 <http://www.dagensmedicin.se/Pages/PrintNewsArticle.aspx?printPageId=130335>.

Franck Robichon, Washington Post, "Photos of the day", Aug. 5, 2013, http://www.washingtonpost.com/world/photos-of-the-day/2013/08/05/e8432068-fd8e-11e2-9711-3708310f6f4d_gallery.html#photo=4.

* cited by examiner

Primary Examiner — Patricia Palasik

(74) *Attorney, Agent, or Firm* — Procopio, Cory, Hargreaves & Savitch LLP

(57) **CLAIM**

The ornamental design for a main body of a wearable human-motion-support apparatus, as shown and described.

DESCRIPTION

FIG. 1 is a perspective view of the main body of a wearable human-motion-support apparatus;

FIG. 2 is a front view thereof;

FIG. 3 is a rear view thereof;

FIG. 4 is a left side view thereof, the right side view being a mirror image of the left side view;

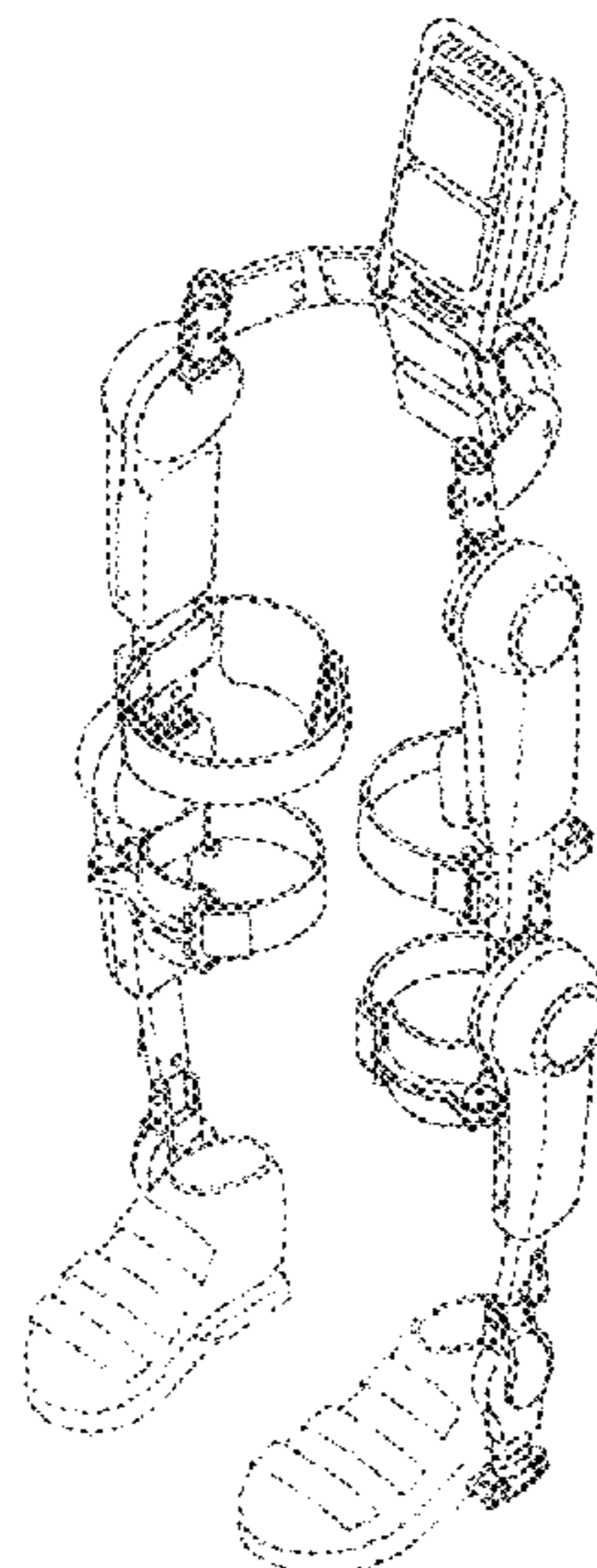
FIG. 5 is a top plan view thereof;

FIG. 6 is a bottom plan view thereof; and,

FIG. 7 is a reference view.

The broken lines showing the environment are provided in the drawing views for illustrative purposes only and form no part of the claimed design.

1 Claim, 7 Drawing Sheets



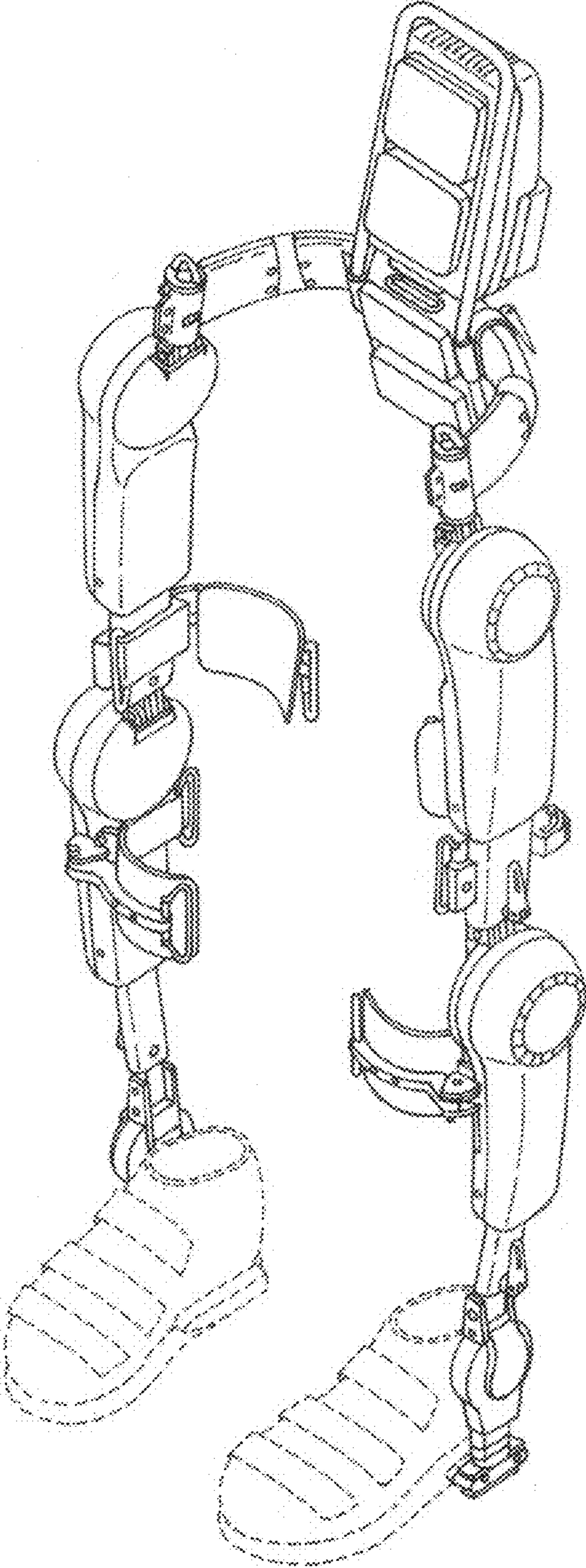


FIG. 1

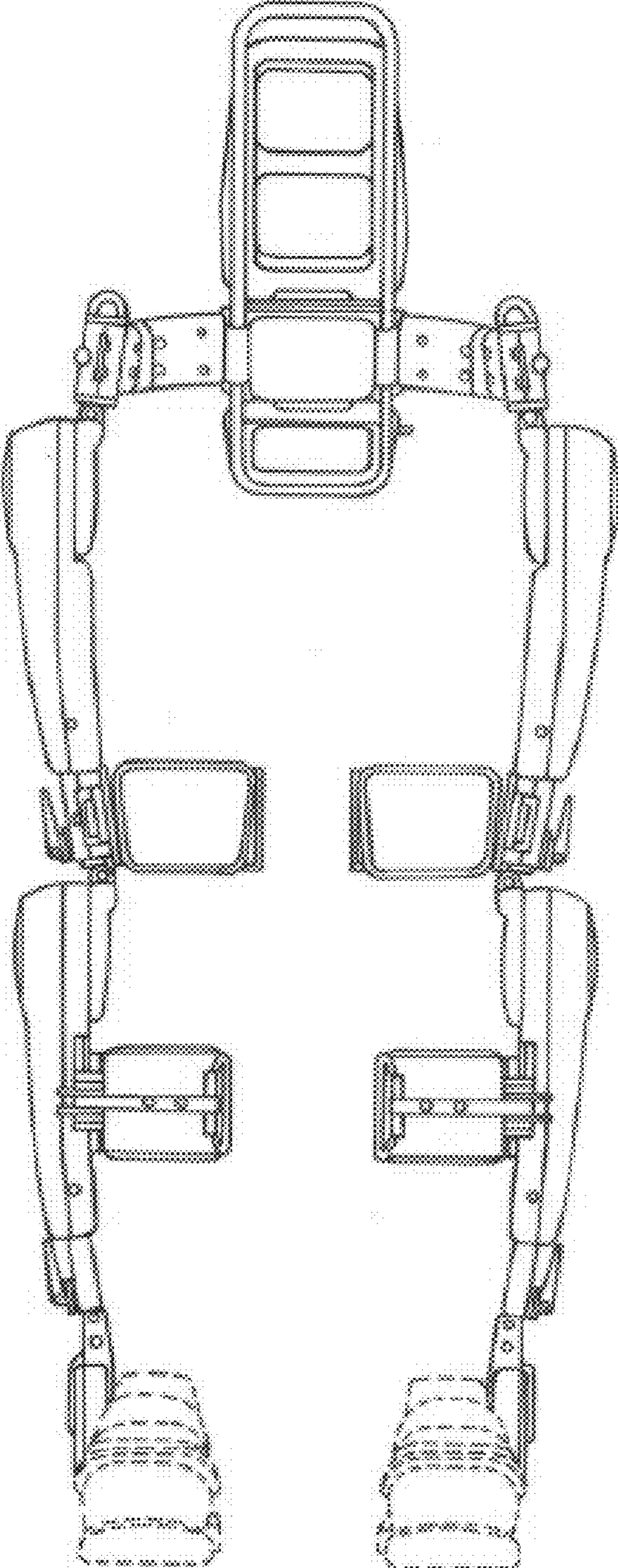


FIG. 2

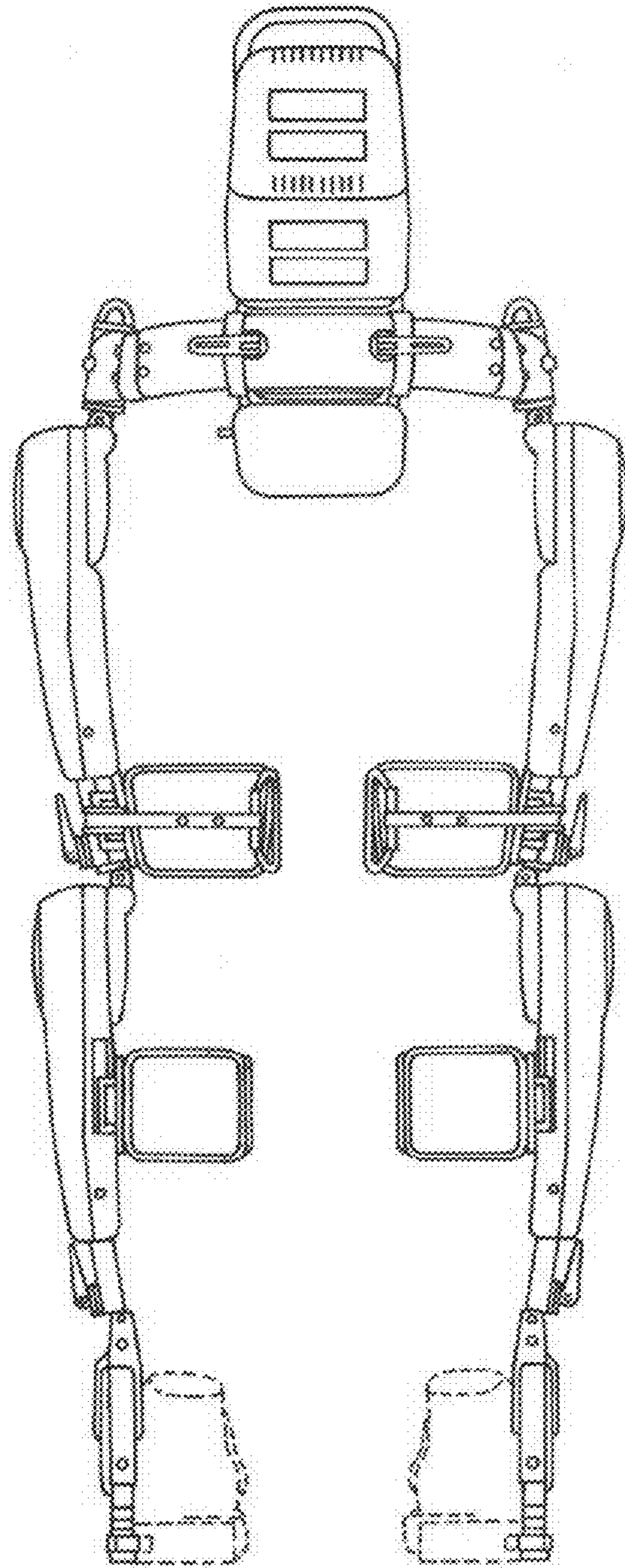


FIG. 3

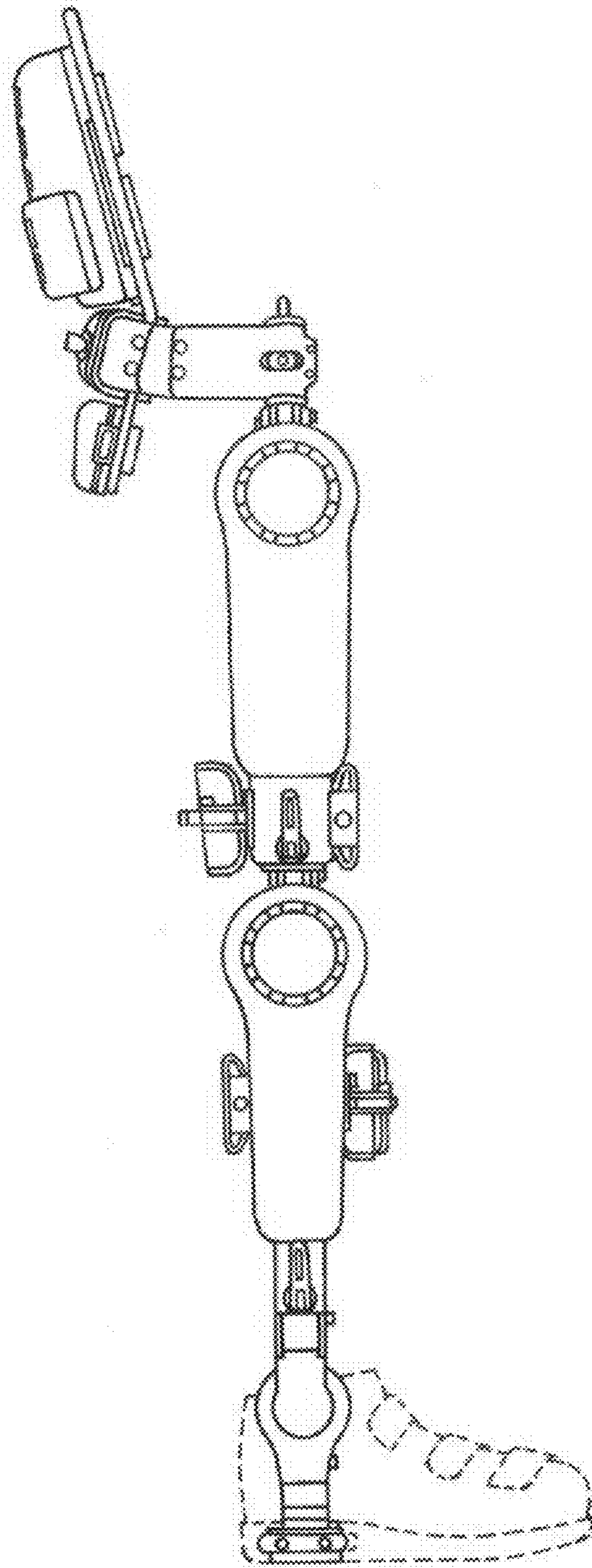


FIG. 4

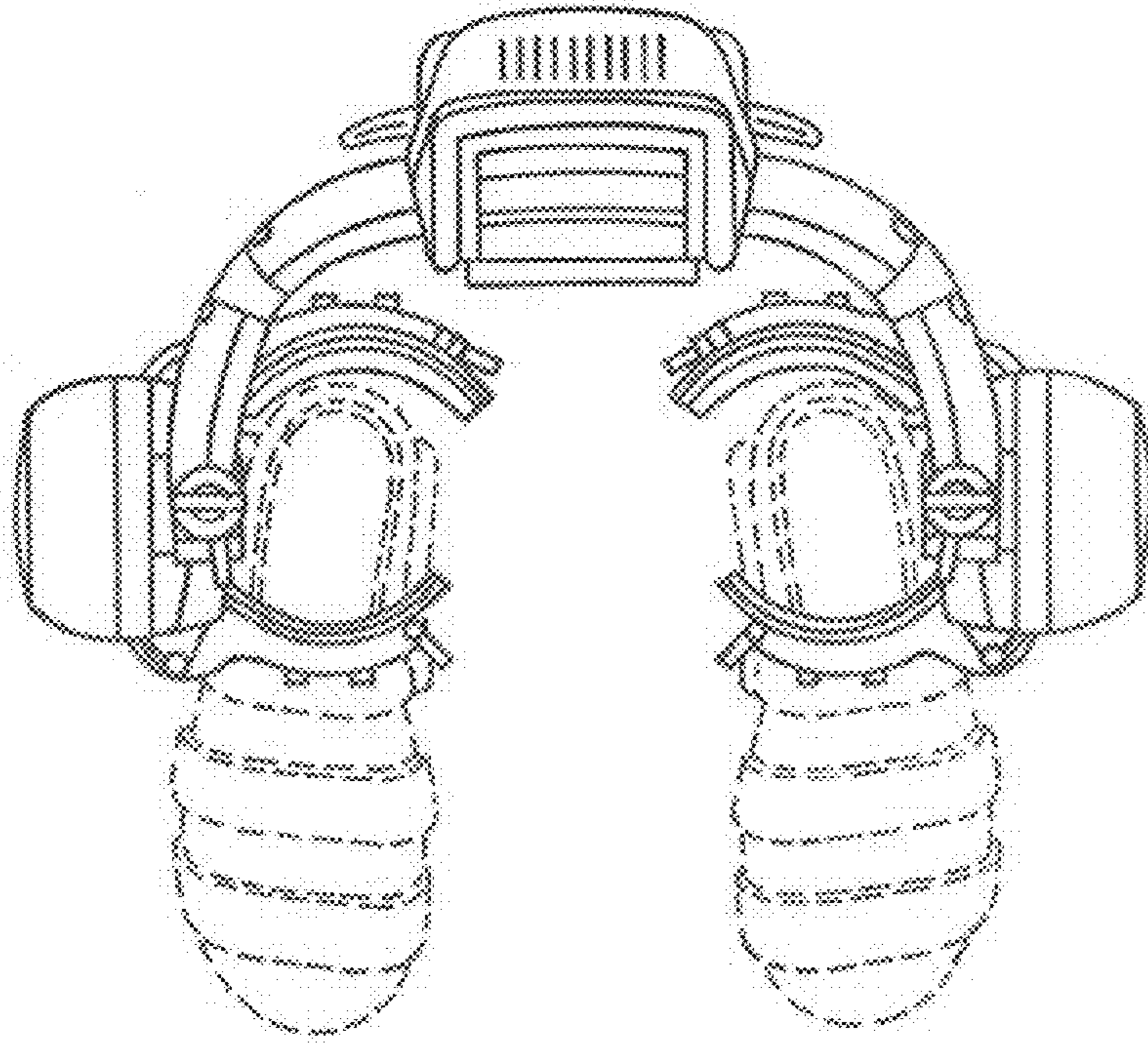


FIG. 5

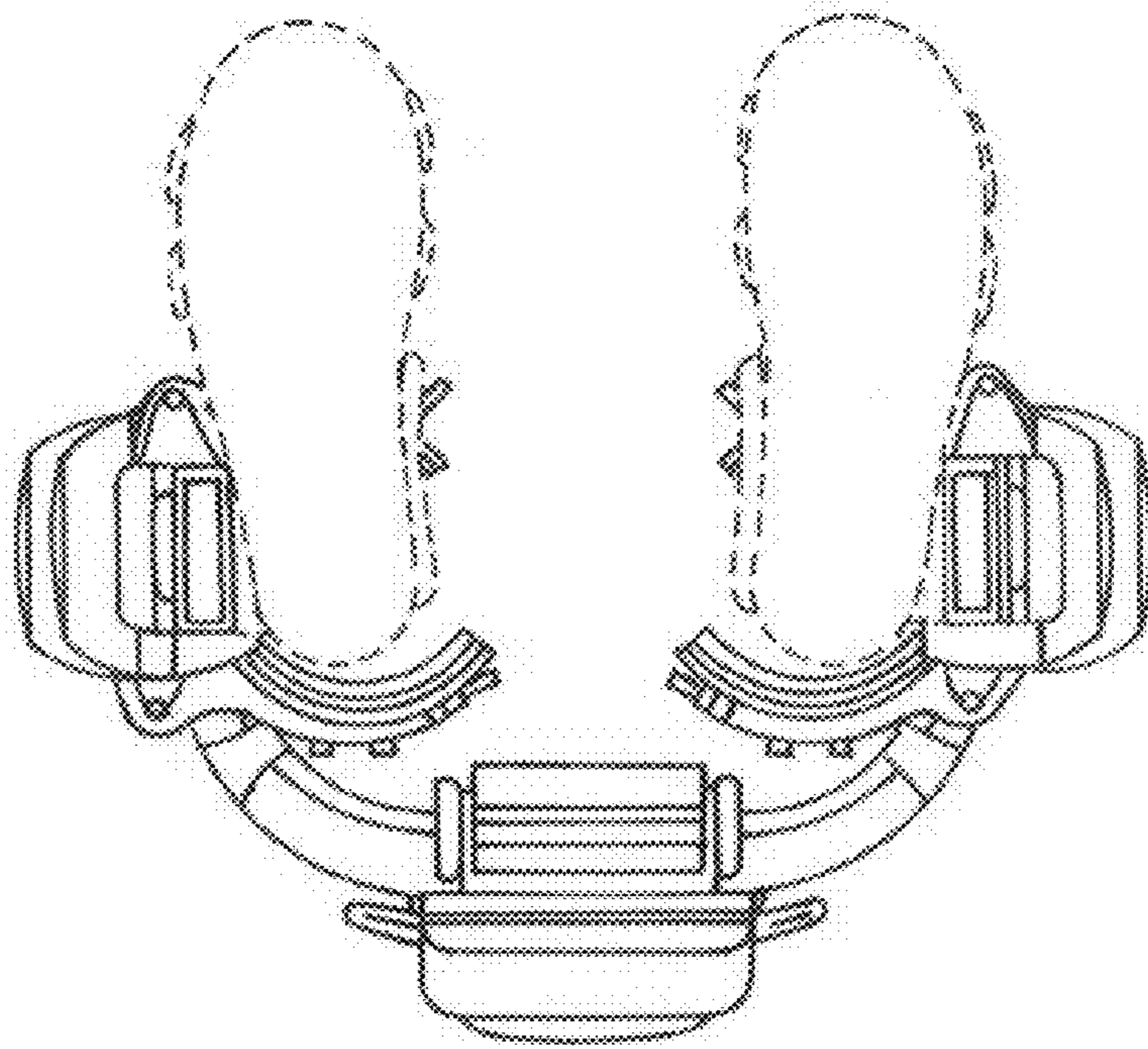


FIG. 6

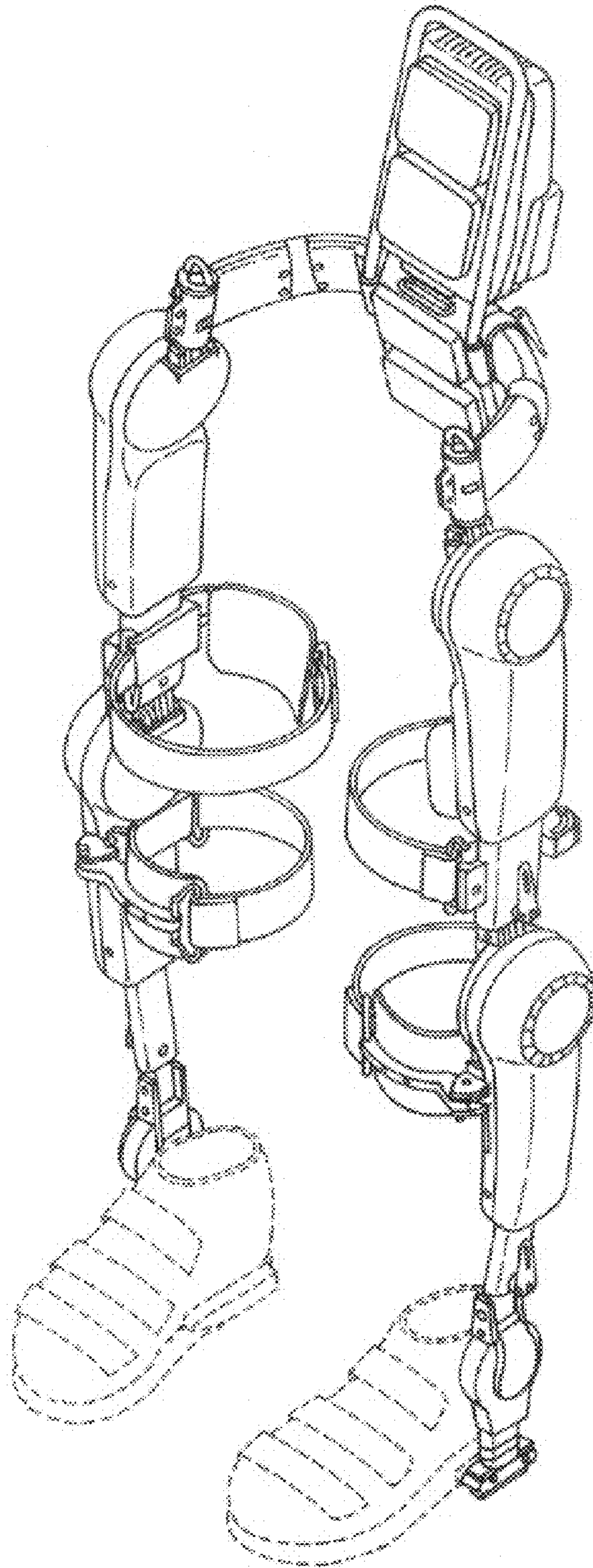


FIG. 7