



US00D749221S

(12) **United States Design Patent**  
**Now**

(10) **Patent No.:** **US D749,221 S**  
(45) **Date of Patent:** **\*\* Feb. 9, 2016**

(54) **DENTAL WORKSTATION**  
(71) Applicant: **Leo Martin Now**, San Francisco, CA  
(US)  
(72) Inventor: **Leo Martin Now**, San Francisco, CA  
(US)  
(\*\*) Term: **14 Years**  
(21) Appl. No.: **29/493,741**  
(22) Filed: **Jun. 12, 2014**  
(51) **LOC (10) Cl.** ..... **24-02**  
(52) **U.S. Cl.**  
USPC ..... **D24/177**  
(58) **Field of Classification Search**  
USPC ..... D24/176-179, 184, 221, 227, 229-230;  
D7/550.1, 553.1, 553.2; 206/562-563;  
433/49, 77, 79, 229, 368, 369  
CPC ..... A61C 19/00; A61C 5/064; A61C 9/0093;  
A61C 19/02; A61B 19/0271; A61G 15/16;  
A61G 15/14  
See application file for complete search history.

3,346,957 A \* 10/1967 Maurer ..... A61G 15/14  
D24/177  
4,976,616 A \* 12/1990 Eisner ..... A61G 15/10  
433/77  
5,312,250 A \* 5/1994 Ellman ..... A61C 19/02  
433/77  
D351,661 S \* 10/1994 Fischer ..... D24/176  
5,823,773 A \* 10/1998 Brysch ..... A61C 19/00  
433/229  
D441,090 S \* 4/2001 Broyles ..... D24/176  
D493,229 S \* 7/2004 Coburn ..... D24/176

\* cited by examiner

*Primary Examiner* — Wan Laymon

(74) *Attorney, Agent, or Firm* — QuickPatents; Kevin Prince

(57) **CLAIM**

I claim the ornamental design for a dental workstation, as shown and described.

**DESCRIPTION**

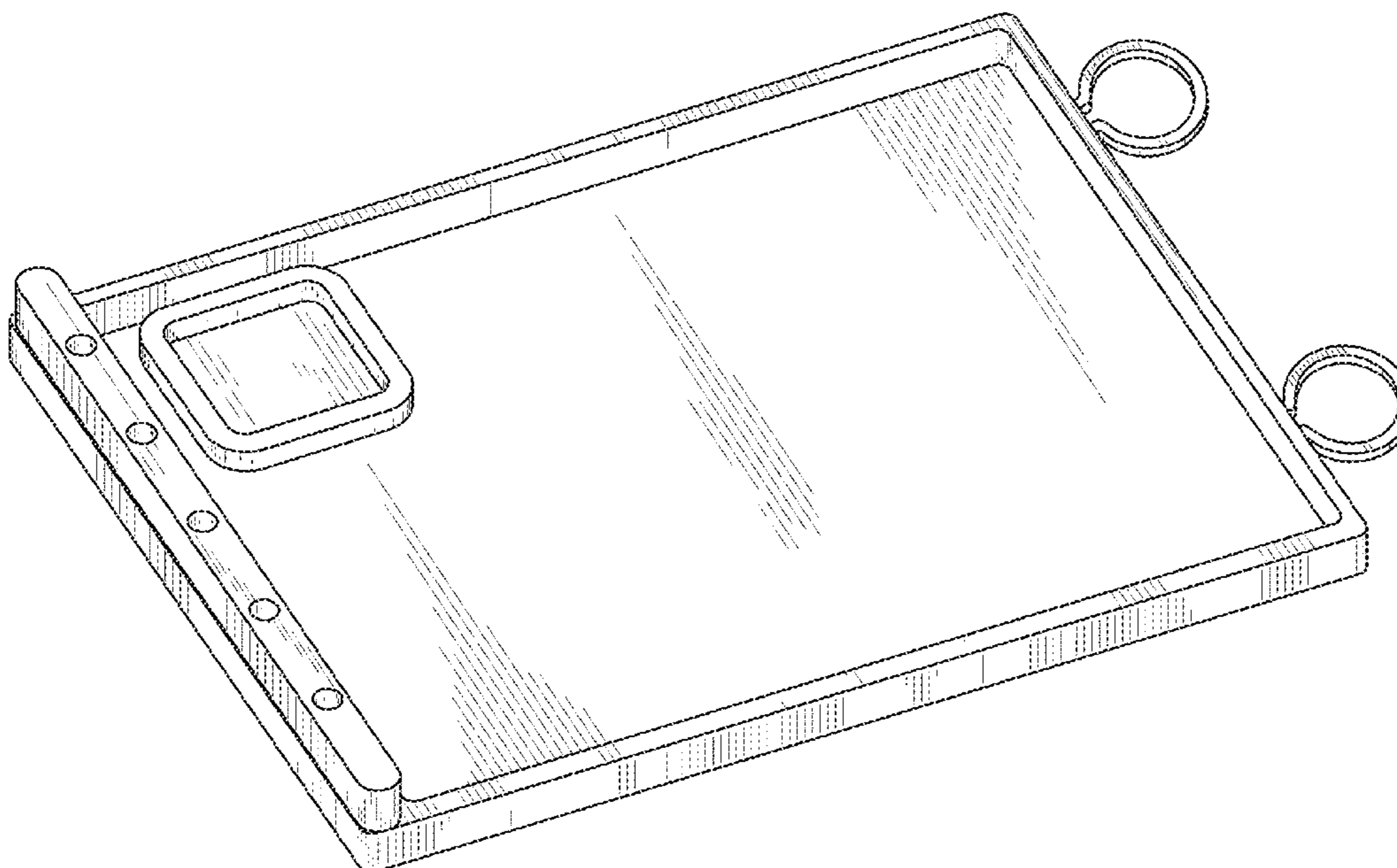
FIG. 1 is a perspective view of a dental workstation, showing my new design;  
FIG. 2 is a front elevational view thereof, the rear elevational view being a mirror image thereof;  
FIG. 3 is a left-side elevational view thereof;  
FIG. 4 is a rear elevational view thereof;  
FIG. 5 is a bottom plan view thereof; and,  
FIG. 6 is a bottom plan view thereof.

**1 Claim, 3 Drawing Sheets**

(56) **References Cited**

**U.S. PATENT DOCUMENTS**

381,143 A \* 4/1888 Kimball ..... A61C 19/02  
206/369  
950,988 A \* 3/1910 Booth ..... A61C 19/02  
433/77



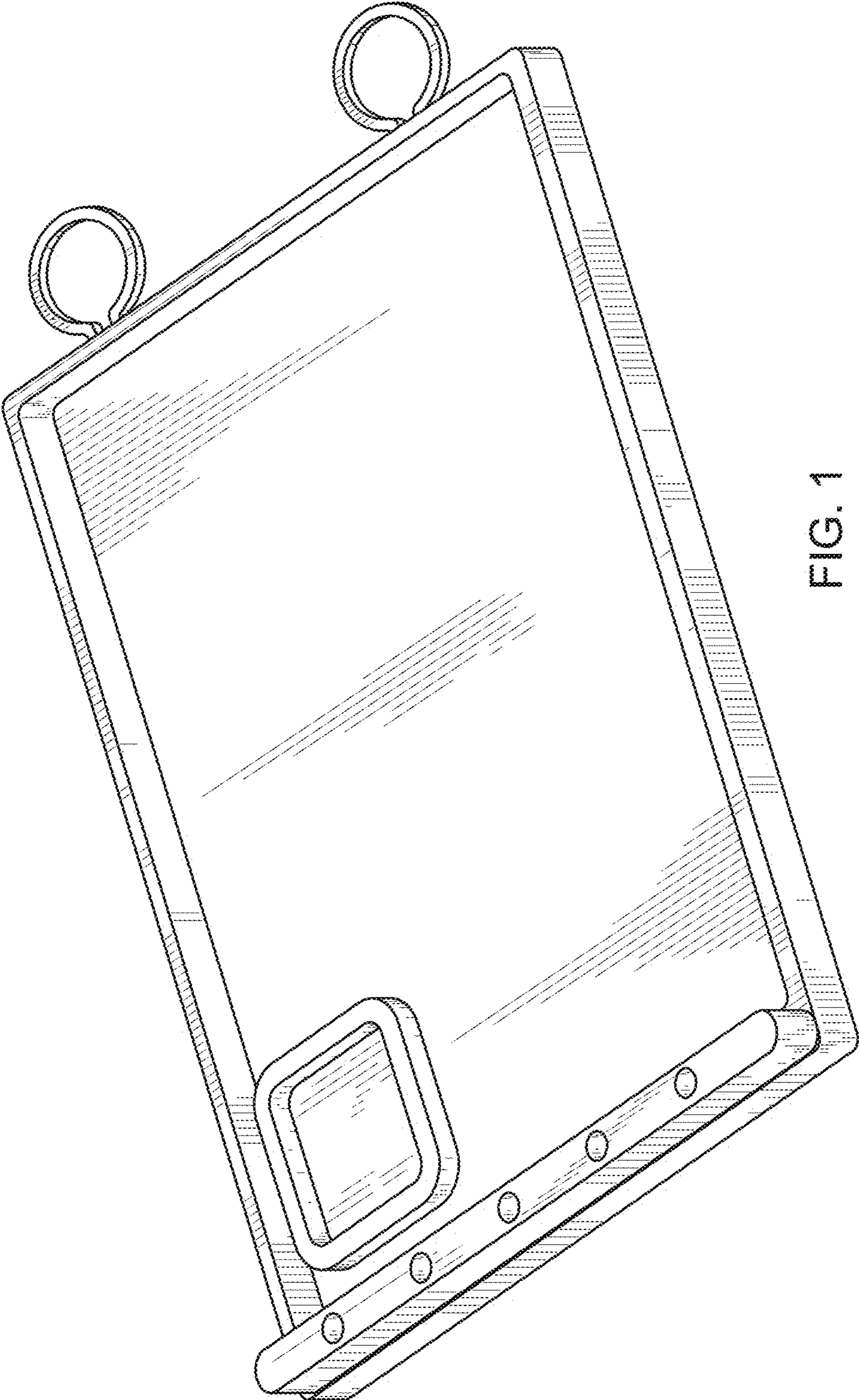


FIG. 1



FIG. 2



FIG. 3



FIG. 4

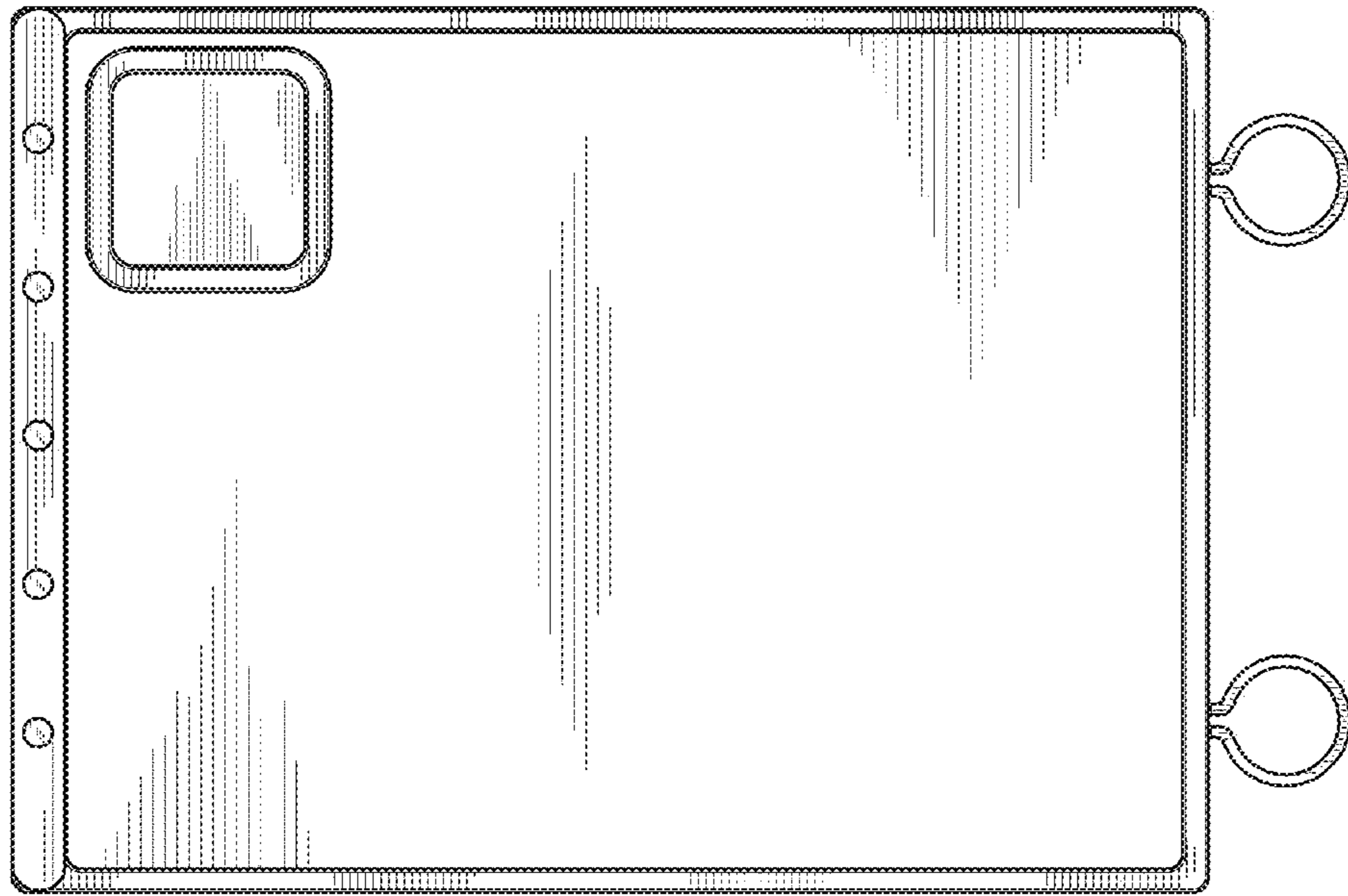


FIG. 5

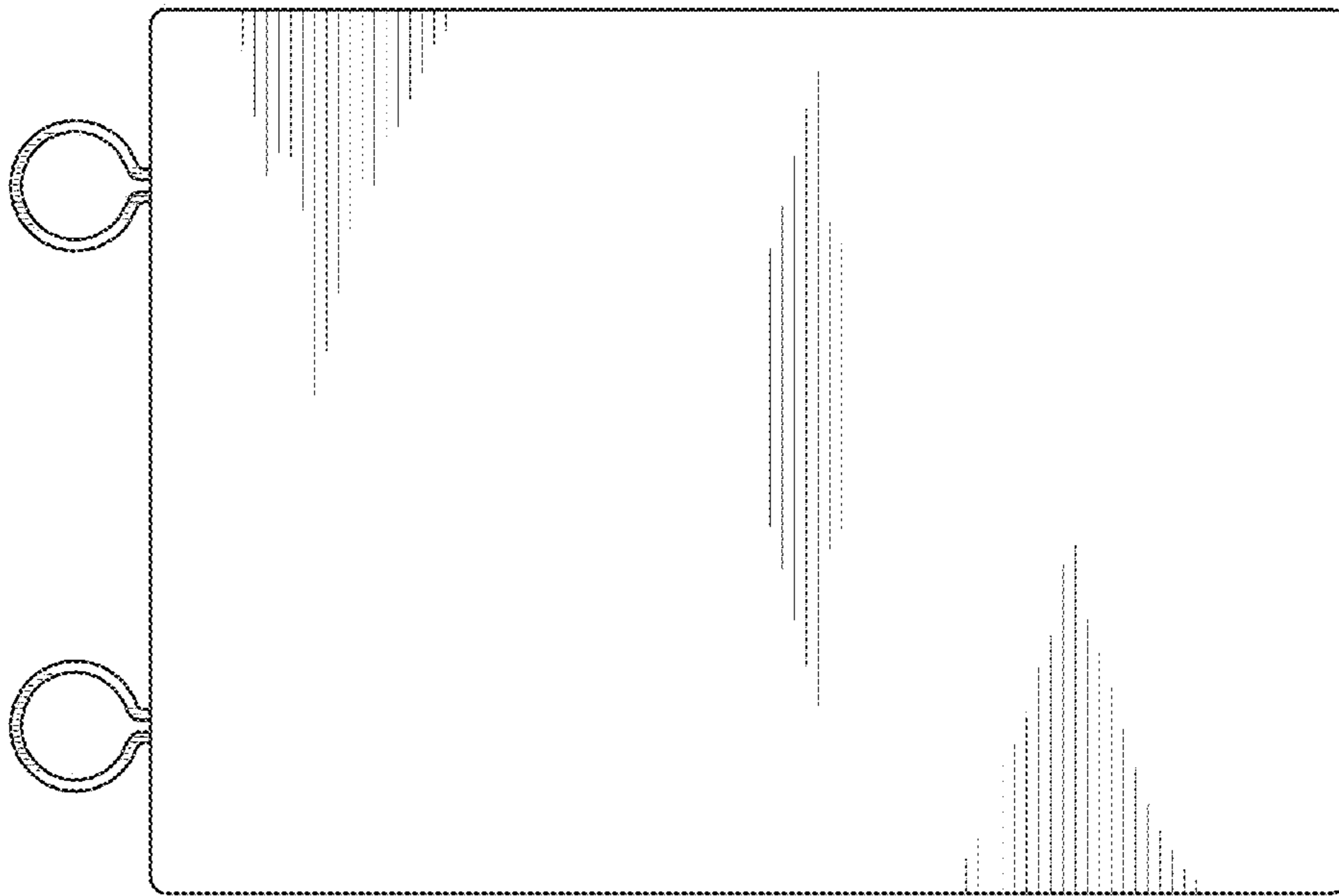


FIG. 6