



US00D749219S

(12) **United States Design Patent**  
**Ballsieper**

(10) **Patent No.:** **US D749,219 S**

(45) **Date of Patent:** **\*\* Feb. 9, 2016**

(54) **MOBILE RADIATION PROTECTION DEVICE**

(56)

**References Cited**

U.S. PATENT DOCUMENTS

(71) Applicant: **Mavig GmbH**, Munich (DE)

(72) Inventor: **Barbara Ballsieper**, Munich (DE)

(73) Assignee: **Mavig GmbH**, Munich (DE)

(\*\*) Term: **14 Years**

(21) Appl. No.: **29/523,928**

(22) Filed: **Apr. 15, 2015**

(30) **Foreign Application Priority Data**

Feb. 13, 2015 (EM) ..... 002633503-0001

(51) **LOC (10) Cl.** ..... **24-01**

(52) **U.S. Cl.**  
USPC ..... **D24/158**

(58) **Field of Classification Search**  
USPC ..... D24/158-161, 231; D29/100, 101.1;  
378/203, 204, 210; 250/515.1, 516.1,  
250/519.1; 976/DIG. 335  
CPC ..... A61B 6/107; G21F 3/00; G21F 3/02;  
G21Y 2004/30

See application file for complete search history.

D245,464 S *	8/1977	Reiss	.....	D16/309
5,220,175 A *	6/1993	Cole	.....	G21F 3/02 250/515.1
D693,478 S *	11/2013	Irick	.....	D24/158
8,598,554 B2 *	12/2013	Rees	.....	A61B 6/107 250/516.1
2005/0173658 A1 *	8/2005	Lemer	.....	A61B 6/107 250/515.1
2008/0093568 A1 *	4/2008	Fox	.....	A61B 6/107 250/515.1
2008/0217564 A1 *	9/2008	Beyar	.....	A61B 6/00 250/515.1
2013/0270462 A1 *	10/2013	Beck	.....	A61B 6/4423 250/516.1
2015/0206609 A1 *	7/2015	Lemer	.....	A61B 6/107 250/515.1

\* cited by examiner

*Primary Examiner* — Anhdao Doan

(74) *Attorney, Agent, or Firm* — Jordan and Hamburg LLP

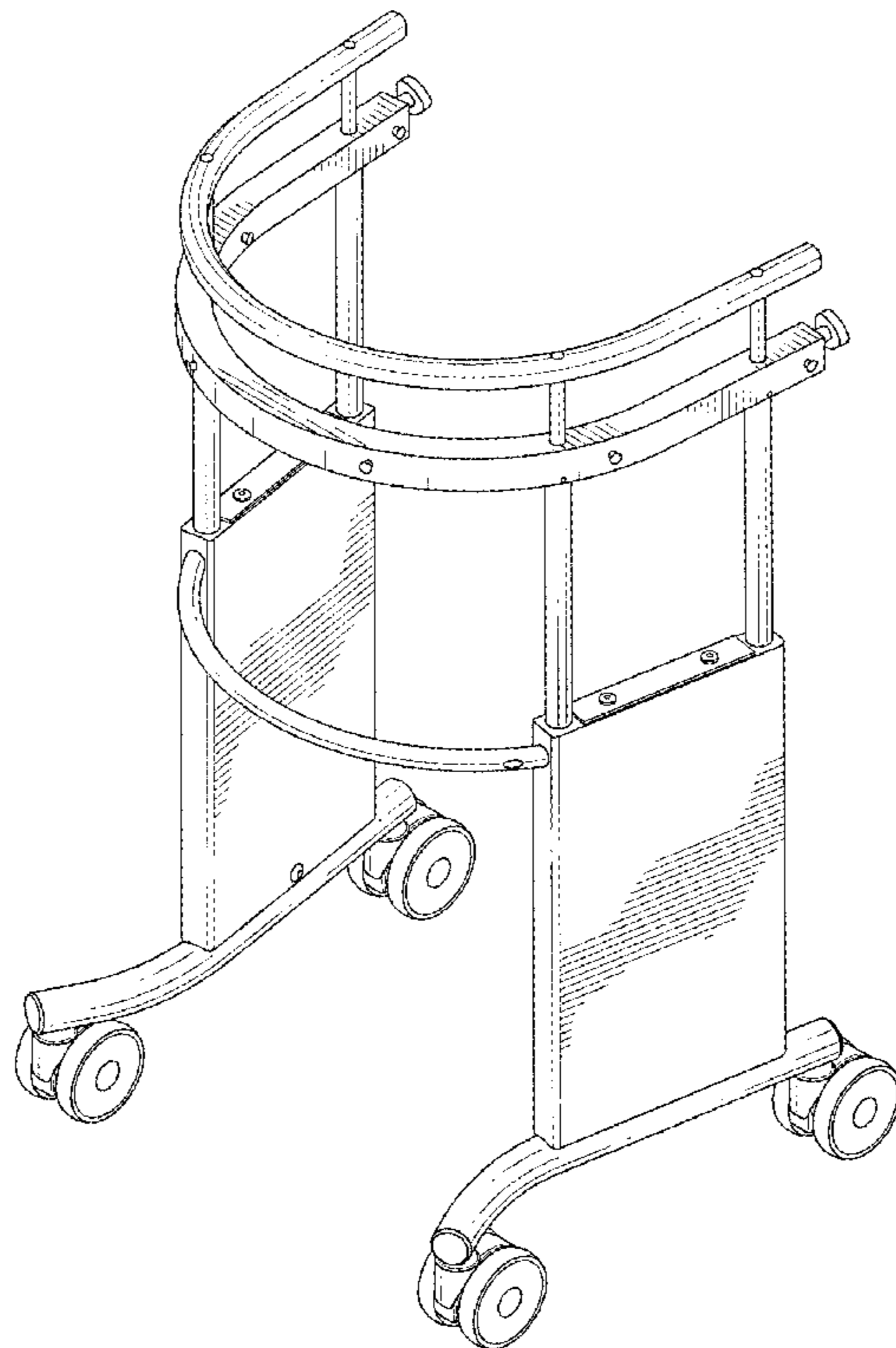
(57) **CLAIM**

The ornamental design for a mobile radiation protection device, as shown.

**DESCRIPTION**

FIG. 1 is a top, rear view and left side perspective view of a mobile radiation protection device showing my new design; FIG. 2 is a rear elevation view thereof; FIG. 3 is a top, front and right side perspective view thereof; and, FIG. 4 is a from elevation view thereof.

**1 Claim, 4 Drawing Sheets**



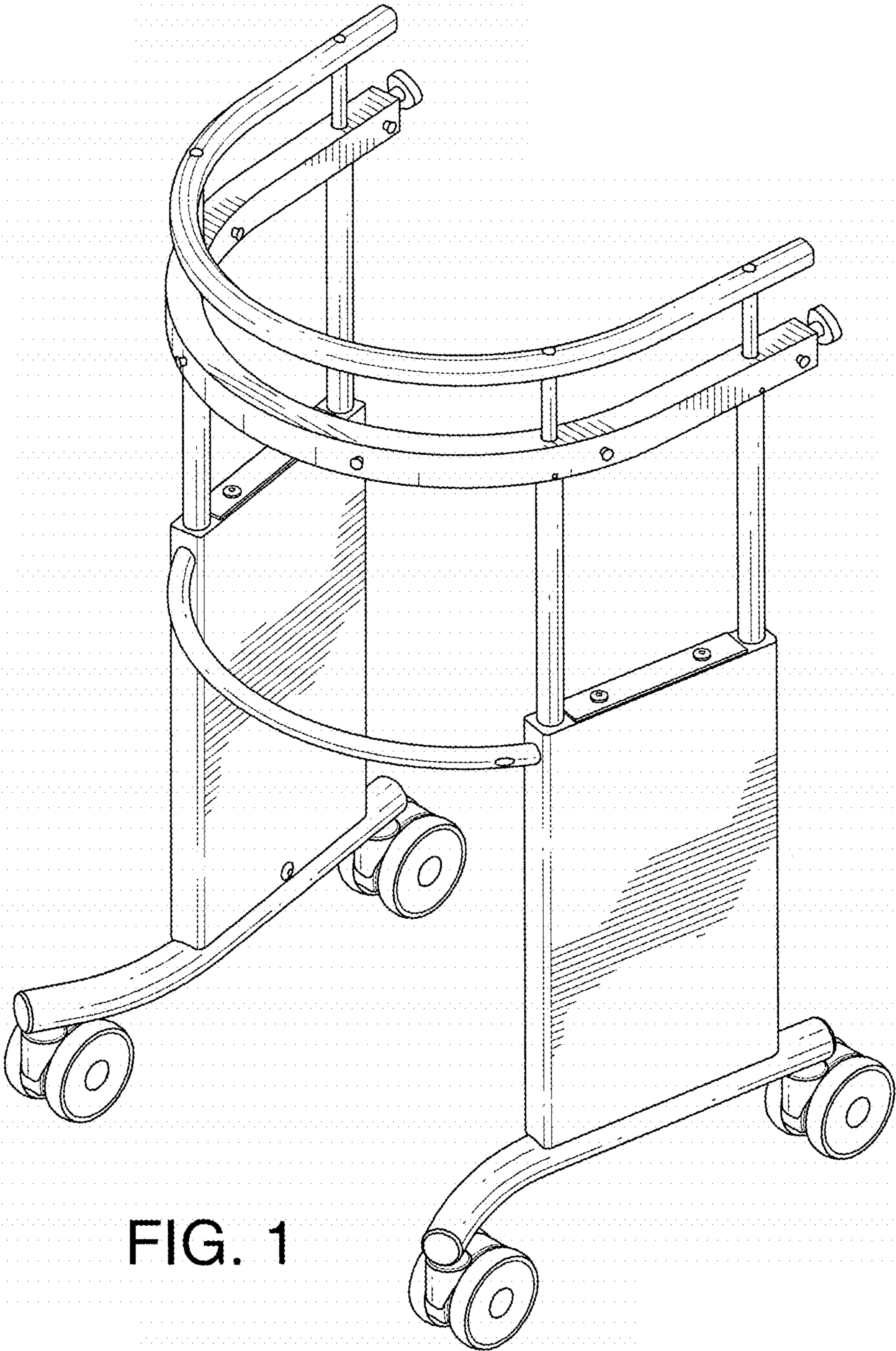


FIG. 1

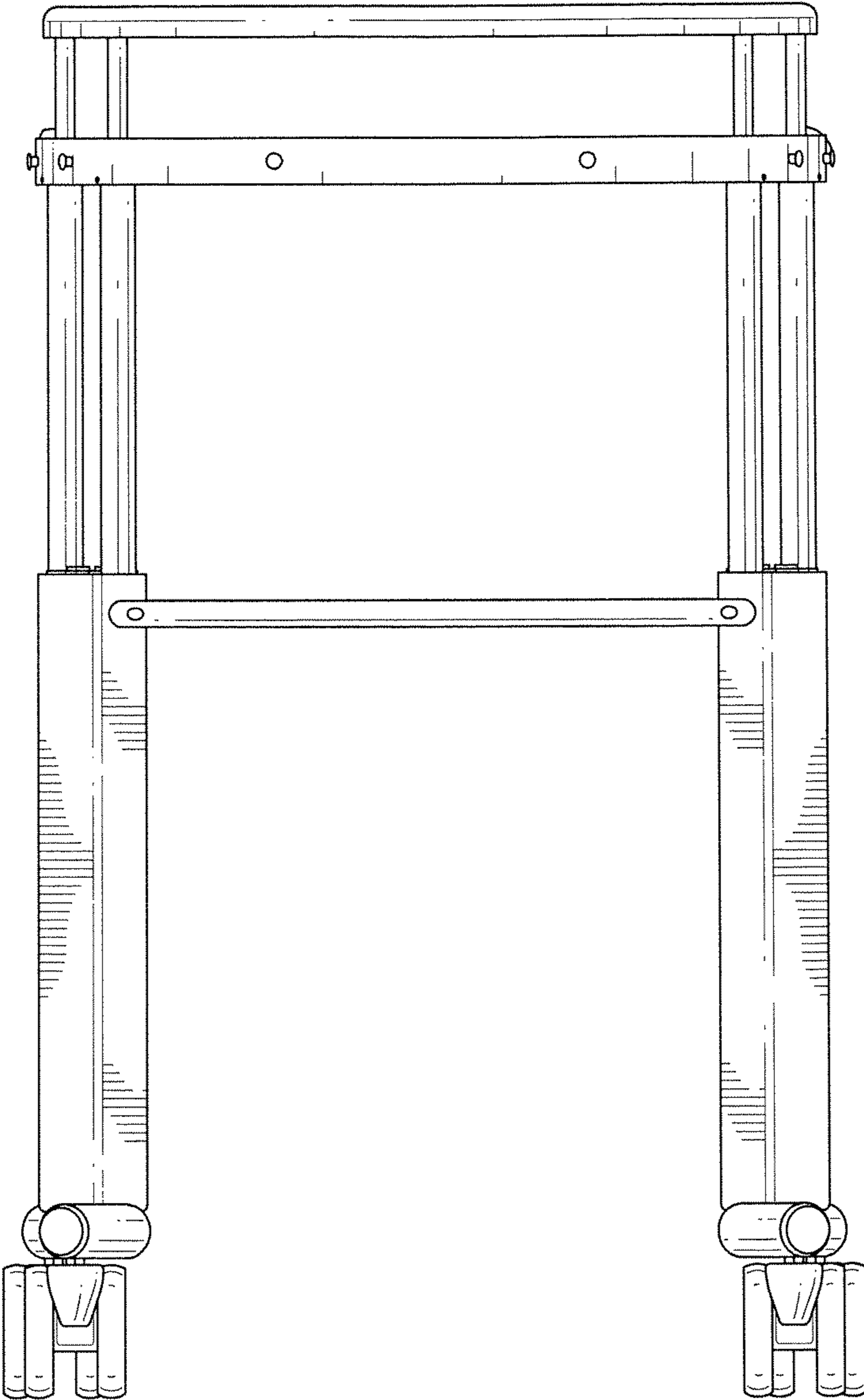


FIG. 2



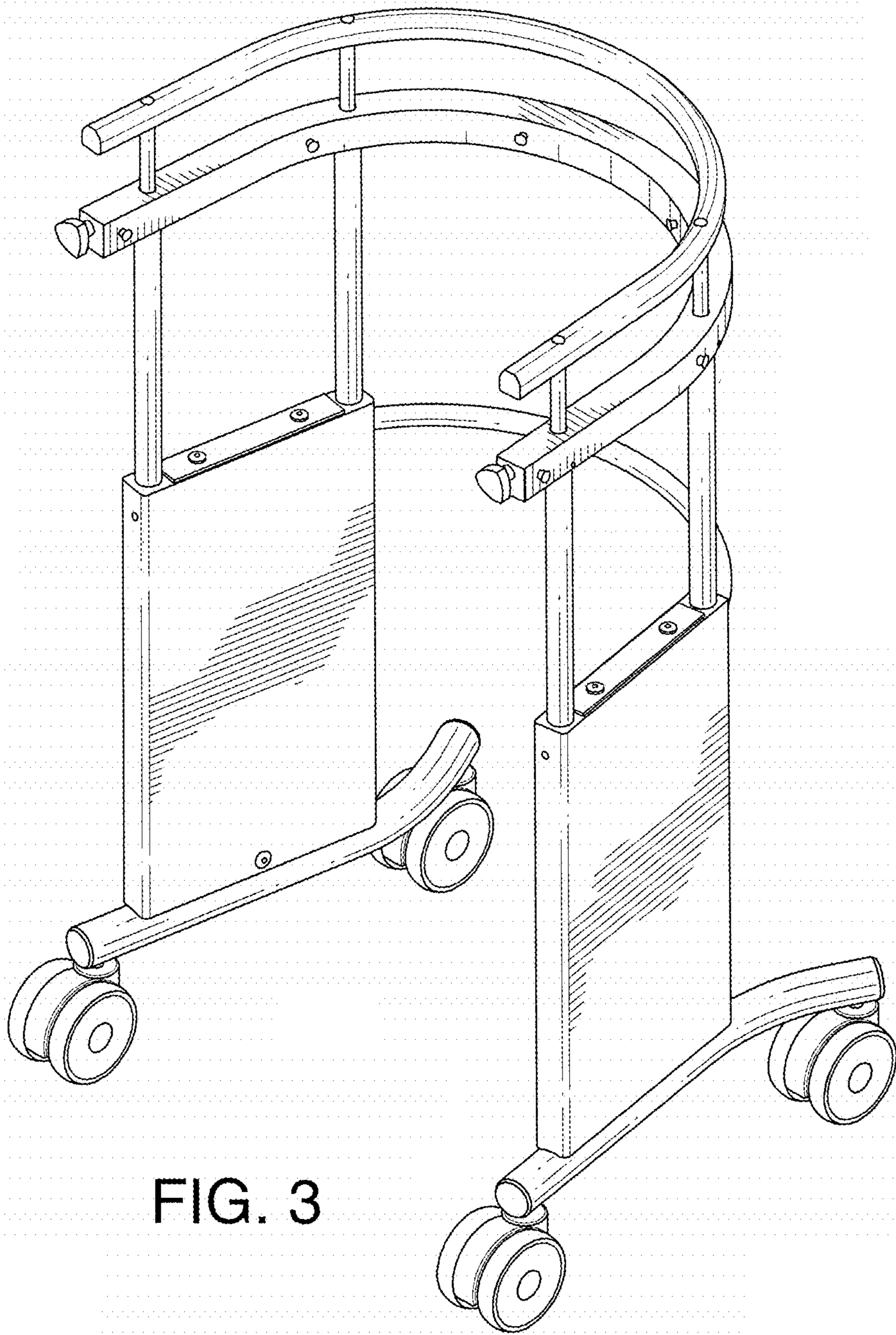


FIG. 3

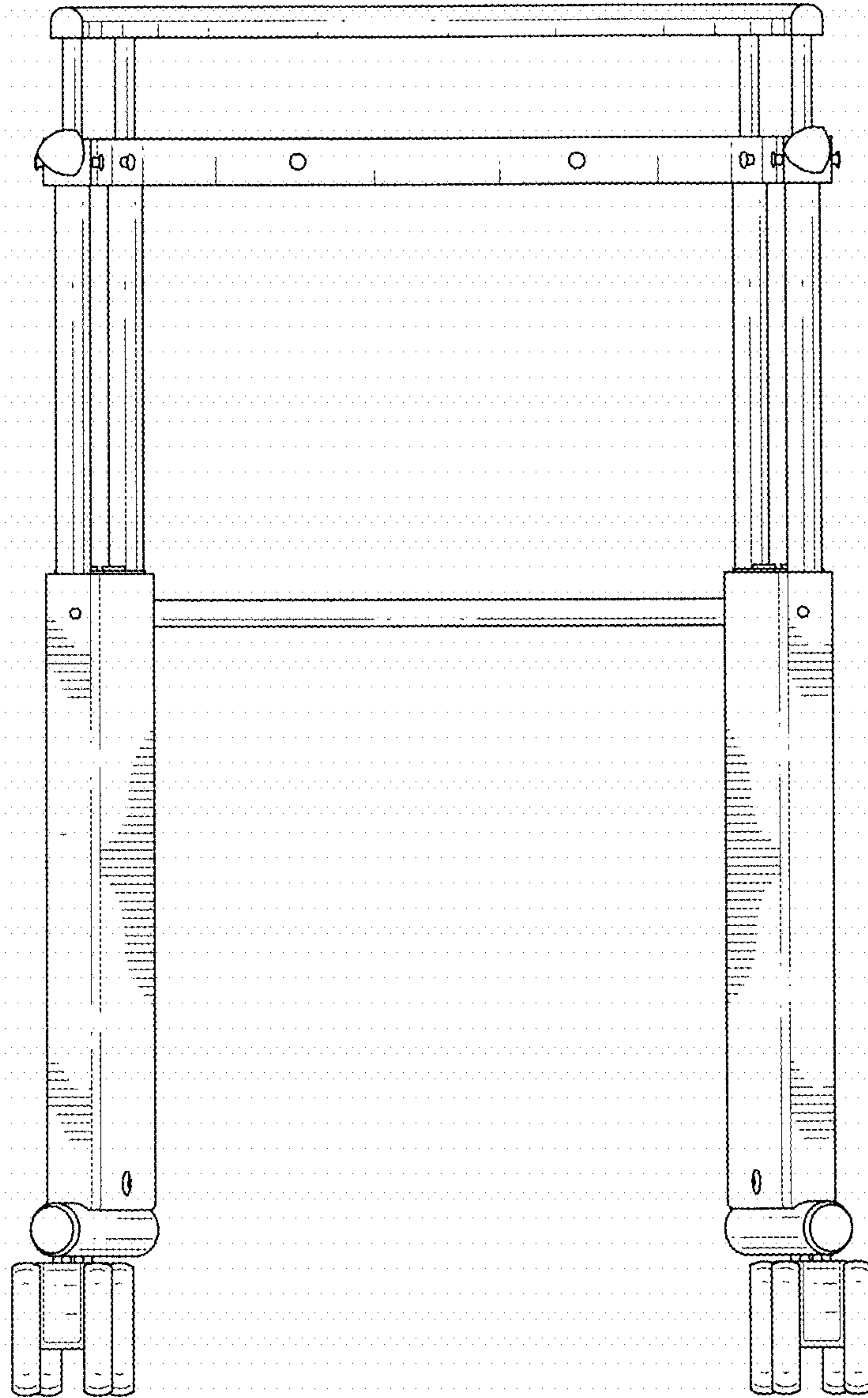


FIG. 4