



US00D749218S

(12) **United States Design Patent**  
**Grönberg**

(10) **Patent No.:** **US D749,218 S**  
(45) **Date of Patent:** **\*\* Feb. 9, 2016**

- (54) **ANASTOMOSIS DEVICE**
- (71) Applicant: **CARPO NOVUM AB**, Halmstad (SE)
- (72) Inventor: **Anders Grönberg**, Halmstad (SE)
- (73) Assignee: **Carponovum AB**, Halmstad (SE)
- (\*\*) Term: **14 Years**
- (21) Appl. No.: **29/513,212**
- (22) Filed: **Dec. 29, 2014**

5,503,635	A *	4/1996	Sauer .....	A61B 17/1114 606/151
6,110,187	A	8/2000	Donlon	
6,290,238	B1	9/2001	Johnson, Jr.	
6,551,334	B2	4/2003	Blatter et al.	
D495,465	S	9/2004	Tepper et al.	
D498,826	S	11/2004	Takahiro et al.	
D514,671	S	2/2006	Jones	
7,241,300	B2	7/2007	Sharkawy et al.	
D556,866	S	12/2007	Darce	
D557,771	S	12/2007	Darce	
D614,272	S	4/2010	Henry et al.	
7,901,417	B2	3/2011	Blatter et al.	
8,034,064	B2	10/2011	Blatter	
D648,427	S	11/2011	Bowman et al.	
8,066,724	B2	11/2011	Golden et al.	
D660,960	S	5/2012	Grönberg	
8,449,563	B2 *	5/2013	Rebuffat .....	A61B 17/1114 606/153
D687,144	S *	7/2013	Gronberg .....	D24/127
D687,145	S *	7/2013	Gronberg .....	D24/129
8,512,361	B2 *	8/2013	Gronberg .....	A61B 17/11 606/142
8,709,025	B2 *	4/2014	Liu .....	A61B 17/1114 606/153
D706,909	S	6/2014	van de Klippe et al.	
8,777,971	B2	7/2014	Tulleken et al.	

**Related U.S. Application Data**

- (62) Division of application No. 29/445,955, filed on Feb. 19, 2013.

**Foreign Application Priority Data**

- Aug. 20, 2012 (EM) ..... 001340319
- (51) **LOC (10) Cl.** ..... **24-02**
- (52) **U.S. Cl.**  
USPC ..... **D24/155; D24/127**
- (58) **Field of Classification Search**  
USPC ..... D24/127-129, 133, 143, 145, 155-157;  
D8/394-396; D23/233, 235, 249,  
D23/259-262, 263-269  
CPC ..... A61F 5/445; A61F 5/443; A61F 5/448;  
A61F 5/4405; A61F 5/4407; A61B 17/11;  
A61B 17/115; A61B 2017/1107  
See application file for complete search history.

**References Cited**

**U.S. PATENT DOCUMENTS**

- 4,747,407 A \* 5/1988 Liu ..... A61B 17/11  
606/153
- 4,752,024 A 6/1988 Green et al.
- D355,708 S \* 2/1995 Caine ..... D23/260

(Continued)

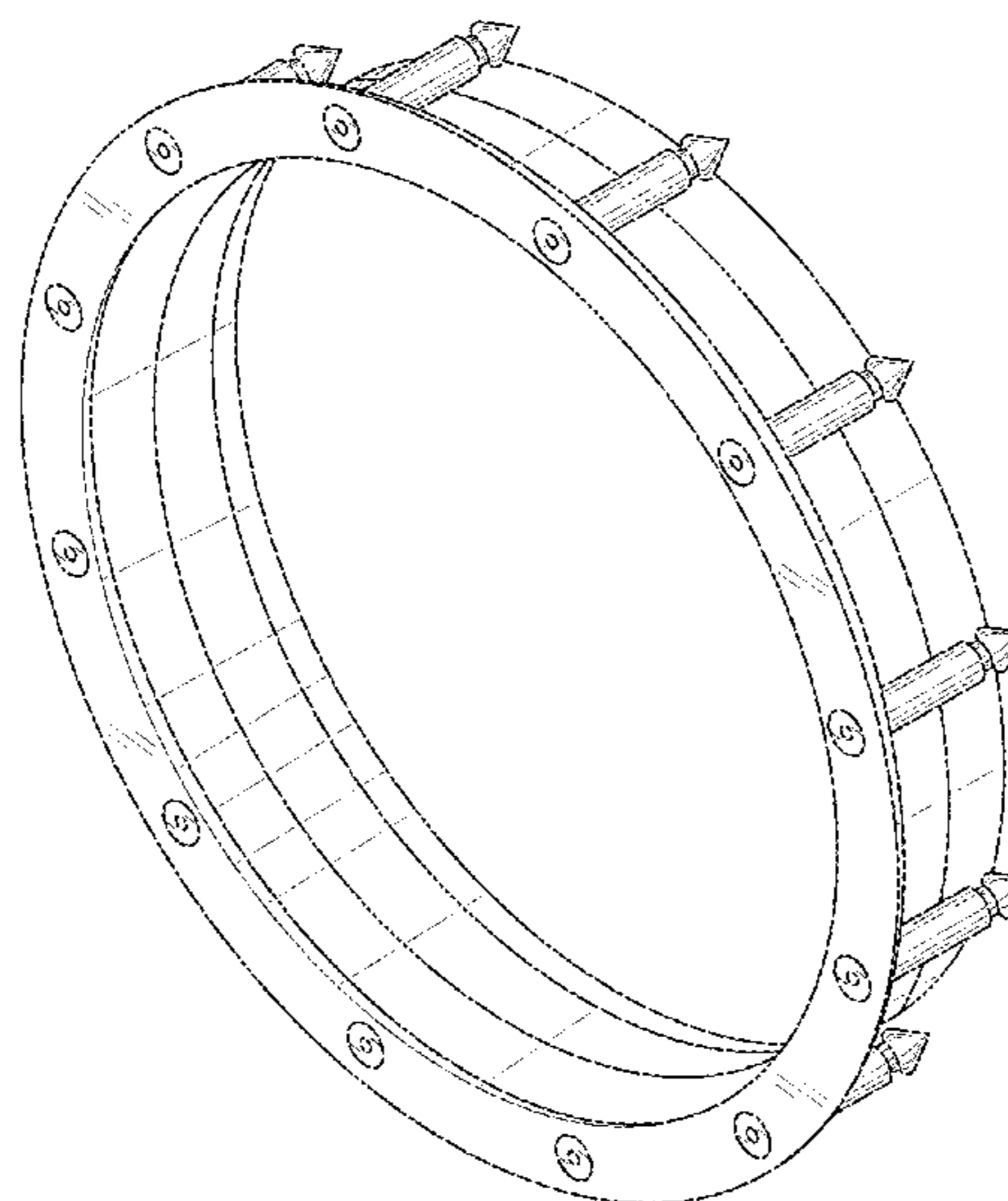
*Primary Examiner* — Susan Bennett Hattan  
*Assistant Examiner* — Charles Hanson  
(74) *Attorney, Agent, or Firm* — Capitol City TechLaw

(57) **CLAIM**  
The ornamental design for anastomosis device, as shown.

**DESCRIPTION**

FIG. 1 is a front view of anastomosis device showing my new design;  
FIG. 2 is a right side view thereof;  
FIG. 3 is a top view thereof;  
FIG. 4 is a rear perspective view thereof;  
FIG. 5 is a rear view thereof; and,  
FIG. 6 is a front perspective view thereof.

**1 Claim, 6 Drawing Sheets**



(56)

**References Cited**

U.S. PATENT DOCUMENTS

8,828,032 B2 9/2014 McWeeney et al.  
D715,412 S 10/2014 Sgherri  
2003/0078597 A1 4/2003 Blatter et al.  
2008/0015617 A1 1/2008 Harari et al.  
2008/0249546 A1 10/2008 Sandstrom et al.  
2009/0012543 A1 1/2009 Kansoul

2009/0138030 A1\* 5/2009 Gronberg ..... A61B 17/11  
606/153  
2009/0234248 A1 9/2009 Zand et al.  
2009/0302089 A1 12/2009 Harari et al.  
2013/0304100 A1 11/2013 Gronberg et al.  
2014/0166719 A1 6/2014 Bettuchi et al.  
2014/0324002 A1 10/2014 Luce  
2014/0364881 A1 12/2014 Meron et al.  
2014/0379011 A1 12/2014 Viola

\* cited by examiner

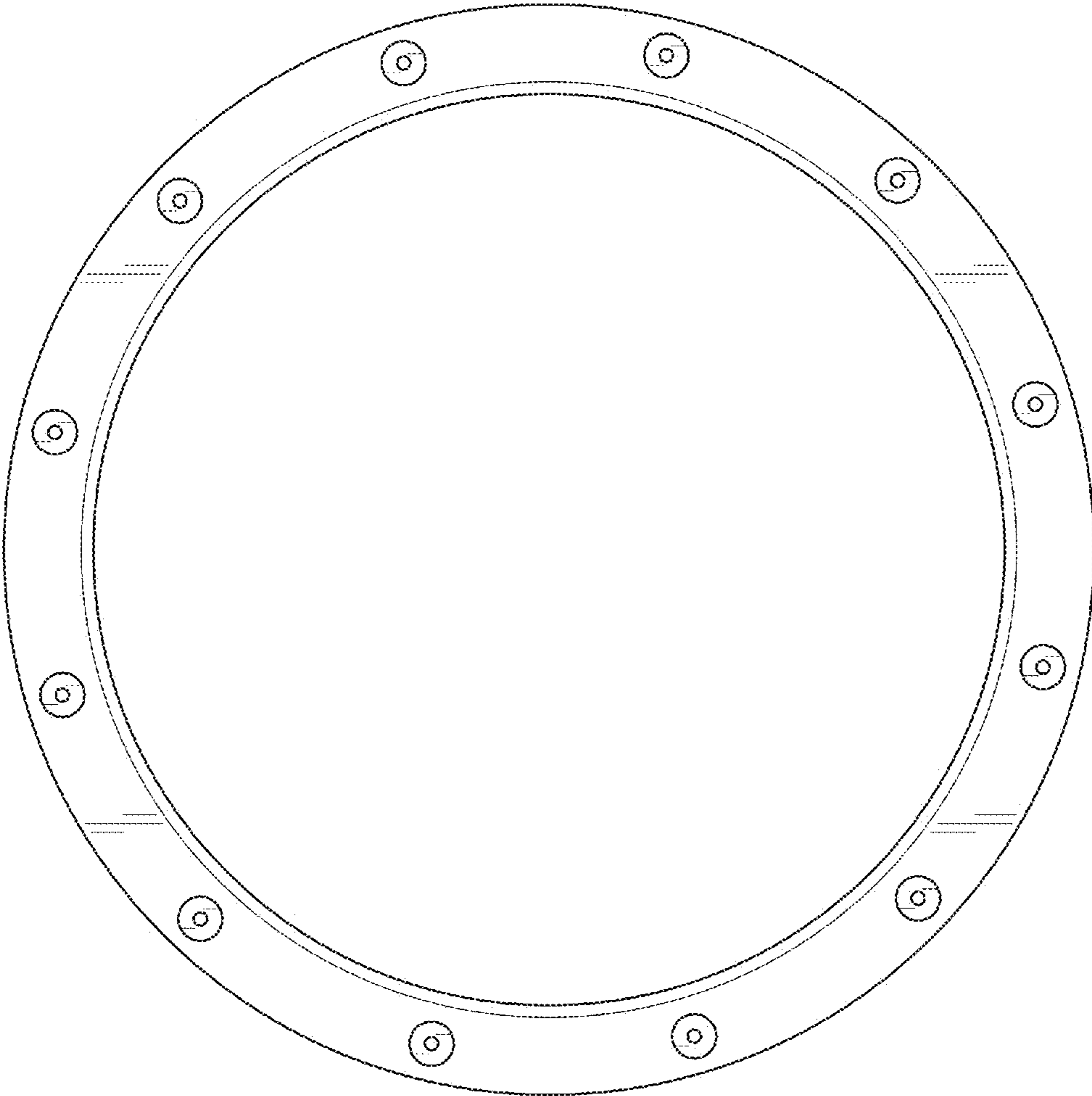


FIG. 1

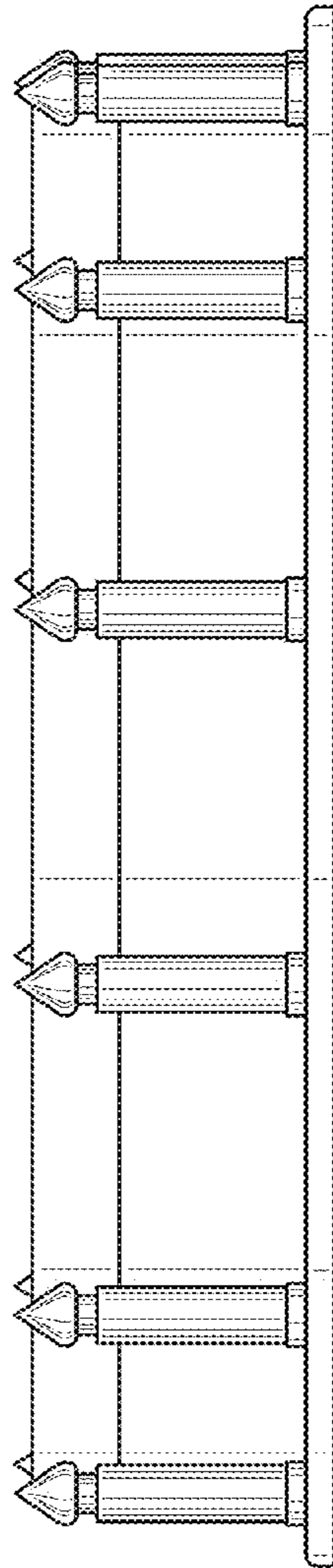


FIG. 2

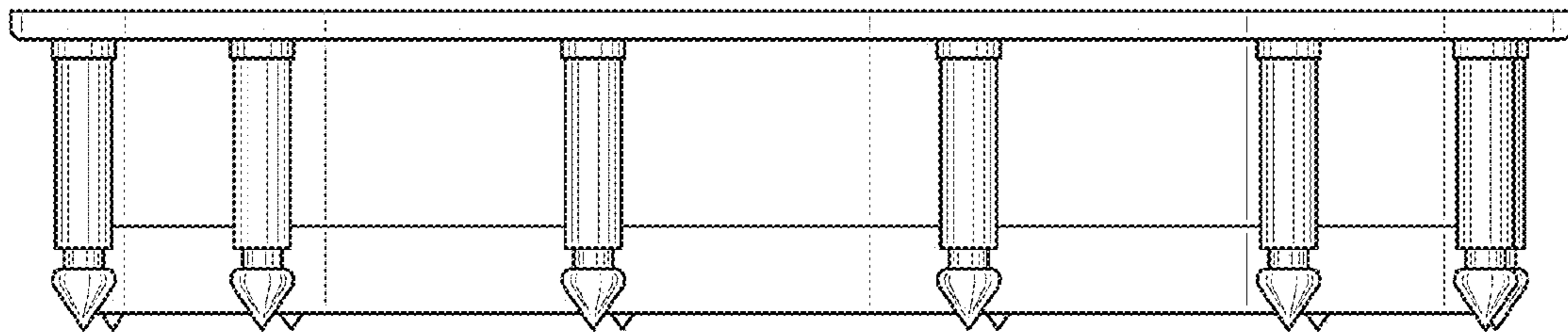


FIG. 3

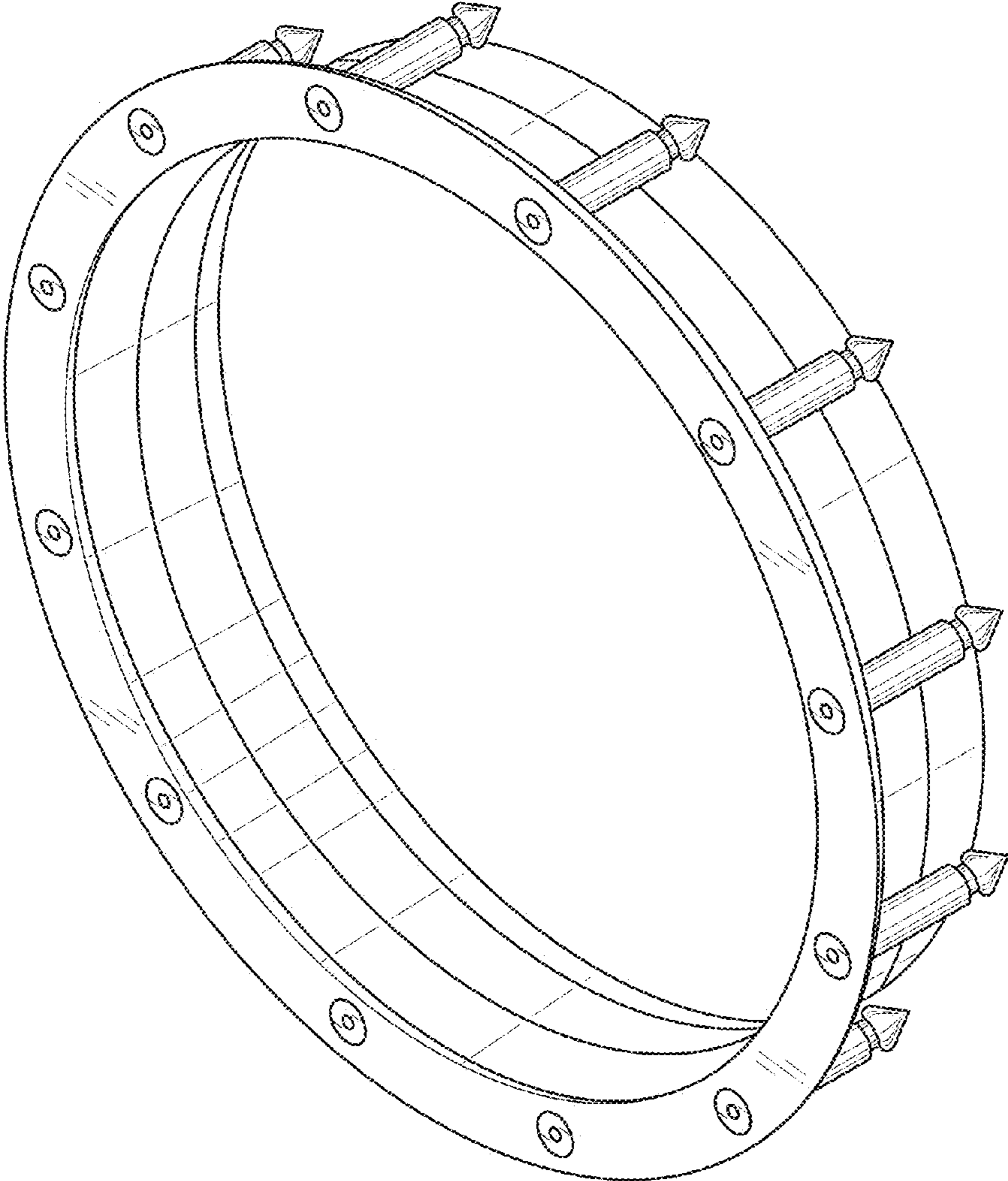


FIG. 4



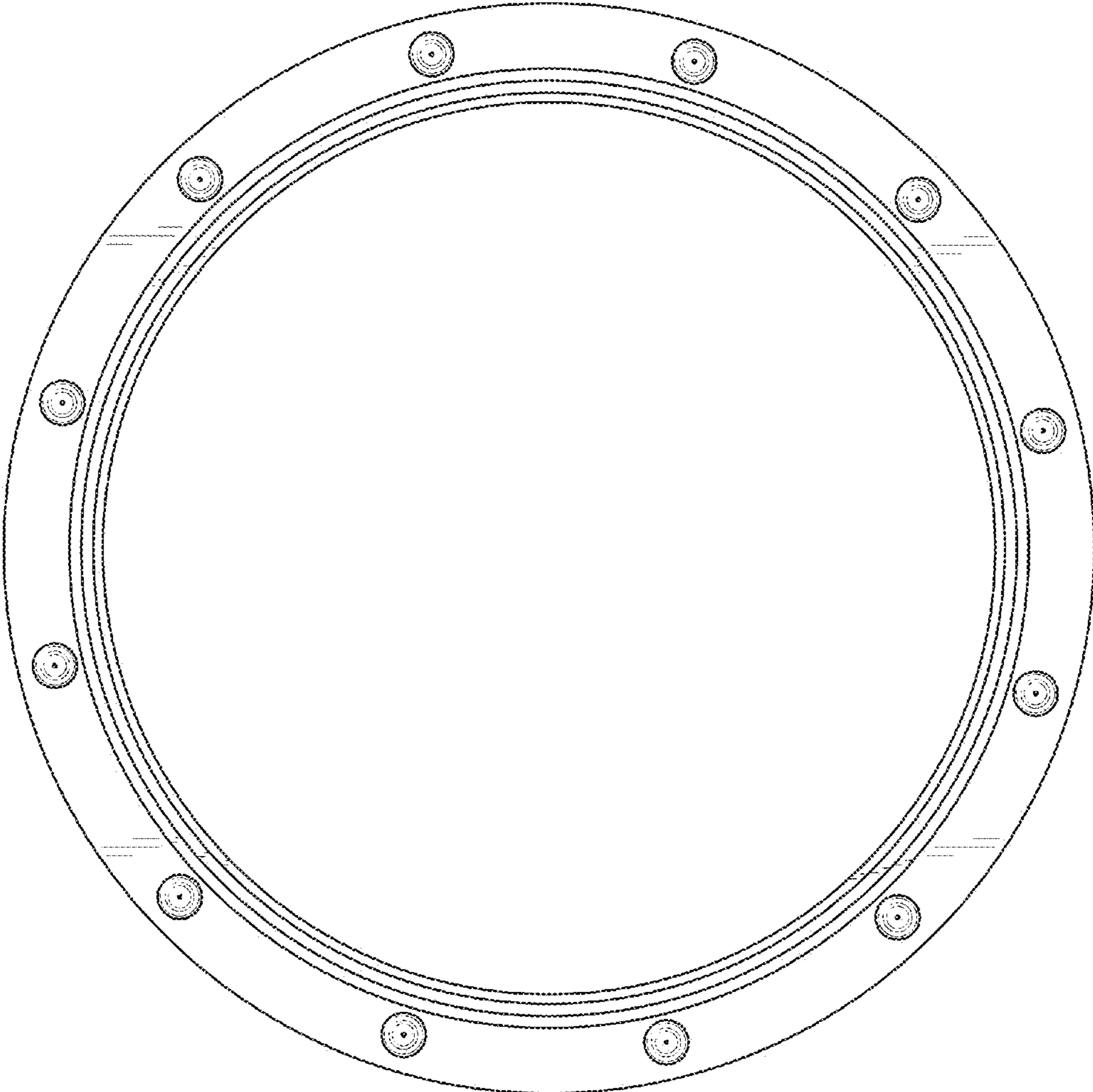


FIG. 5

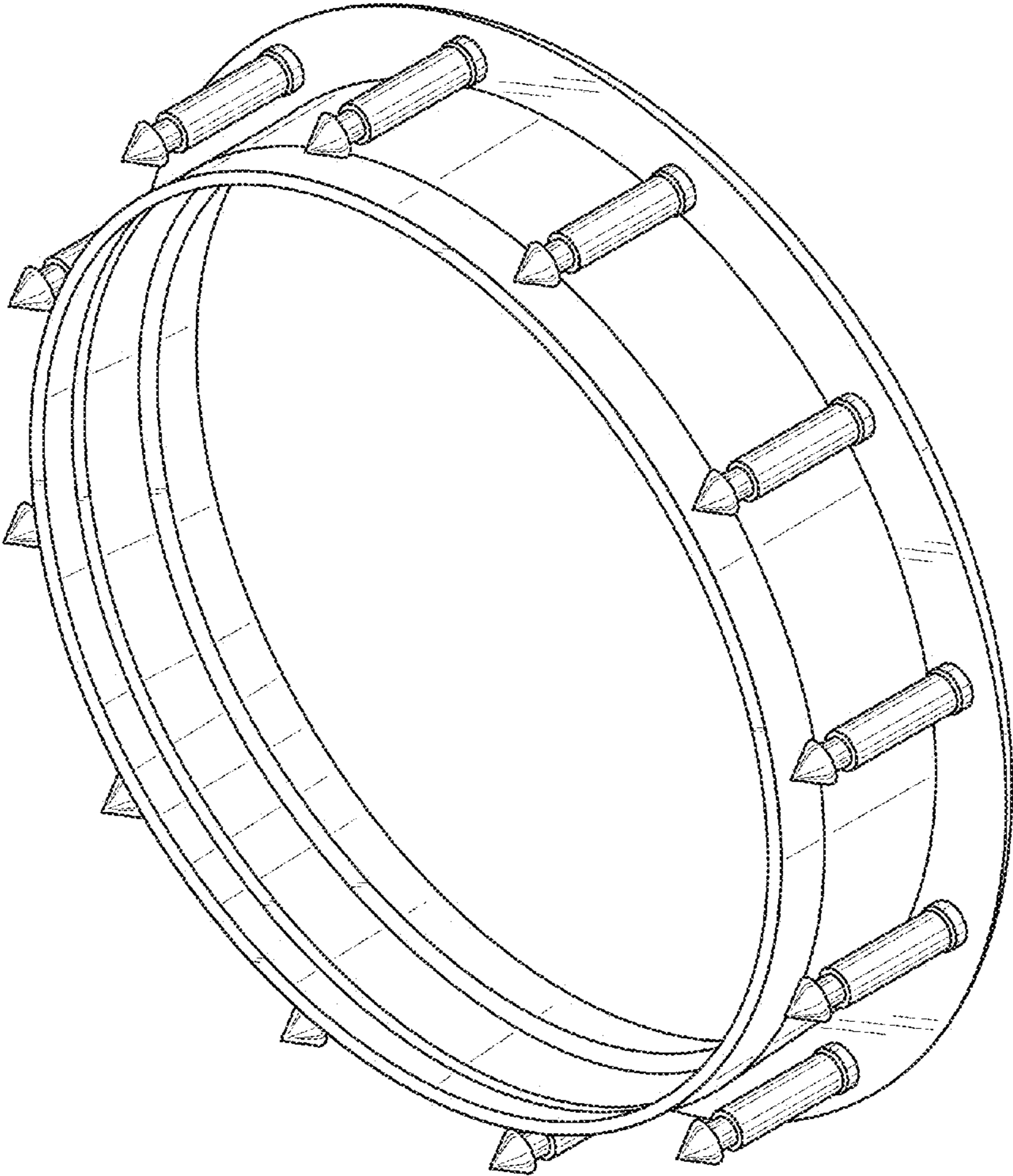


FIG. 6