



US00D749217S

(12) **United States Design Patent**
Brannon

(10) **Patent No.:** **US D749,217 S**

(45) **Date of Patent:** **** *Feb. 9, 2016**

(54) **TREPHINE**

(71) Applicant: **James K Brannon**, Leawood, KS (US)

(72) Inventor: **James K Brannon**, Leawood, KS (US)

(*) Notice: This patent is subject to a terminal disclaimer.

(**) Term: **14 Years**

(21) Appl. No.: **29/497,366**

(22) Filed: **Jul. 23, 2014**

(51) **LOC (10) Cl.** **24-02**

(52) **U.S. Cl.**
USPC **D24/146**

(58) **Field of Classification Search**
USPC D7/649; D8/93, 97, 300, 310, 311, 313;
D19/110, 115; D24/127, 130, 133,
D24/146, 147, 148
CPC B26B 3/00; B26B 1/10; B26B 5/005;
A61B 17/809; A61B 17/1617; A61B 17/3211;
A61B 5/1411; A61B 17/3417
See application file for complete search history.

(56) **References Cited**

PUBLICATIONS

- U.S. Appl. No. 10/928,553, filed Aug. 26, 2004, James Kevin Brannon.
- U.S. Appl. No. 11/970,246, filed Jan. 7, 2008, James K. Brannon.
- U.S. Appl. No. 12/369,388, filed Feb. 11, 2009, James K. Brannon.
- U.S. Appl. No. 12/181,205, filed Jul. 28, 2008, James K. Brannon.
- U.S. Appl. No. 12/369,576, filed Feb. 6, 2010, James K. Brannon.
- U.S. Appl. No. 12/706,706, filed Feb. 6, 2011, James K. Brannon.

- U.S. Appl. No. 13/361,823, filed Jan. 30, 2012, James K. Brannon.
- U.S. Appl. No. 61/170,508, filed Apr. 17, 2009, James K. Brannon.
- U.S. Appl. No. 61/253,068, filed Oct. 20, 2009, James K. Brannon.
- U.S. Appl. No. 61/218,757, filed Jun. 19, 2009, James K. Brannon.
- U.S. Appl. No. 29/340,631, filed Jul. 22, 2009, James K. Brannon.
- U.S. Appl. No. 61/266,908, filed Dec. 4, 2009, James K. Brannon.
- U.S. Appl. No. 61/266,900, filed Dec. 4, 2009, James K. Brannon.
- U.S. Appl. No. 61/303,496, filed Feb. 11, 2010, James K. Brannon.
- U.S. Appl. No. 61/303,508, filed Feb. 11, 2010, James K. Brannon.
- U.S. Appl. No. 61/309,732, filed Mar. 2, 2010, James K. Brannon.
- U.S. Appl. No. 61/319,166, filed Mar. 30, 2010, James K. Brannon.

(Continued)

Primary Examiner — Robert M Spear

Assistant Examiner — Marissa J Cash

(74) *Attorney, Agent, or Firm* — Intellectual Property Center, LLC; Arthur K. Shaffer

(57) **CLAIM**

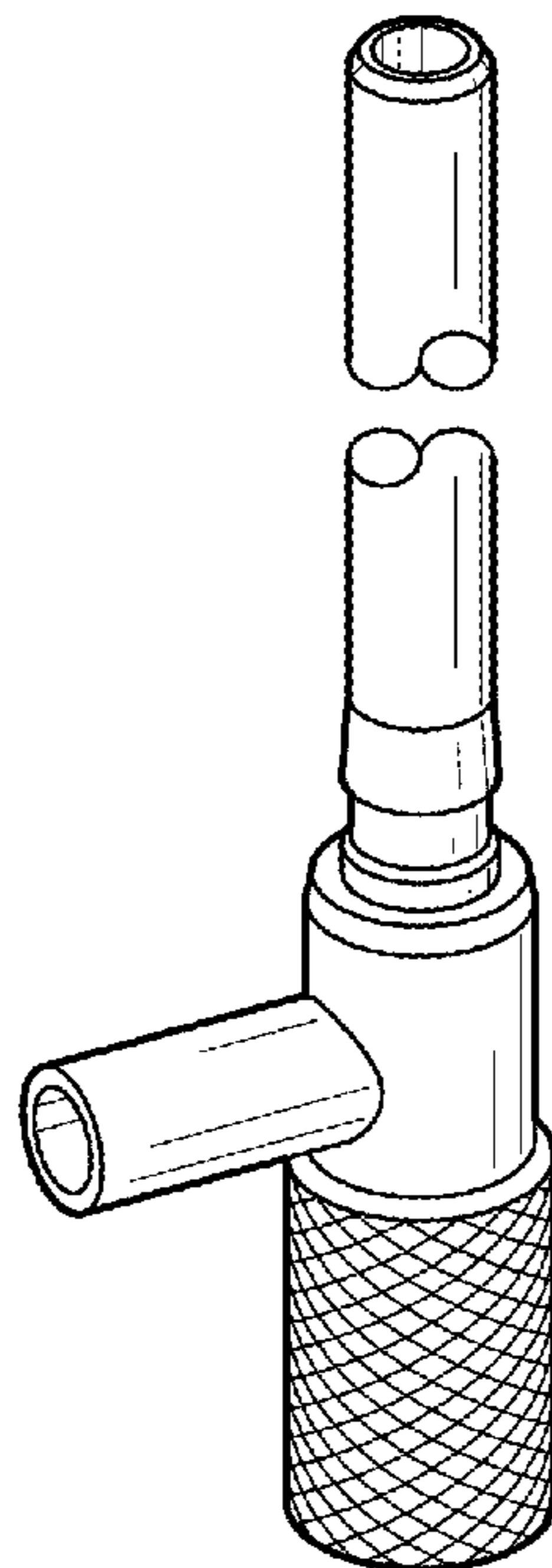
The ornamental design for a trephine, as shown and described.

DESCRIPTION

FIG. 1 is a perspective view of a trephine in accordance with the present invention;
FIG. 2 is a side elevation of the trephine of FIG. 1;
FIG. 3 is a top elevation of the trephine of FIG. 1;
FIG. 4 is a right elevation of the trephine of FIG. 1;
FIG. 5 is a bottom elevation of the trephine of FIG. 1;
FIG. 6 is a front view of the trephine of FIG. 1; and,
FIG. 7 is a rear view of the trephine of FIG. 1.

The trephine is shown with a symbolic break in its length. The appearance of any portion of the article between the break lines forms no part of the claimed design.

1 Claim, 2 Drawing Sheets



(56)

References Cited

PUBLICATIONS

U.S. Appl. No. 61/325,084, filed Apr. 16, 2010, James K. Brannon.
U.S. Appl. No. 61/325,102, filed Apr. 16, 2010, James K. Brannon.
U.S. Appl. No. 12/763,213, filed Apr. 20, 2010, James K. Brannon.
U.S. Appl. No. 12/820,133, filed Jun. 21, 2010, James K. Brannon.
U.S. Appl. No. 12/908,879, filed Oct. 21, 2010, James K. Brannon.
U.S. Appl. No. 12/961,487, filed Dec. 6, 2010, James K. Brannon.
U.S. Appl. No. 12/961,491, filed Dec. 6, 2010, James K. Brannon.
U.S. Appl. No. 12/986,064, filed Jan. 6, 2011, James K. Brannon.
U.S. Appl. No. 61/443,655, filed Feb. 16, 2011, James K. Brannon.
U.S. Appl. No. 61/444,025, filed Feb. 17, 2011, James K. Brannon.
U.S. Appl. No. 61/444,315, filed Feb. 16, 2011, James K. Brannon.

U.S. Appl. No. 61/645,327, filed May 23, 2012, James K. Brannon.
U.S. Appl. No. 29/398,708, filed Aug. 3, 2011, James K. Brannon.
U.S. Appl. No. 13/444,559, filed Apr. 11, 2012, James K. Brannon.
U.S. Appl. No. 13/039,191, filed Mar. 2, 2011, James K. Brannon.
U.S. Appl. No. 13/076,408, filed Mar. 30, 2011, James K. Brannon.
U.S. Appl. No. 13/089,306, filed Apr. 18, 2011, James K. Brannon.
U.S. Appl. No. 13/197,476, filed Aug. 3, 2011, James K. Brannon.
U.S. Appl. No. 29/445,846, filed Feb. 18, 2013, James K. Brannon.
U.S. Appl. No. 13/838,330, filed Mar. 15, 2013, James K. Brannon.
U.S. Appl. No. 29/449,726, filed Mar. 15, 2013, James K. Brannon.
U.S. Appl. No. 13/844,652, filed Mar. 15, 2013, James K. Brannon.
U.S. Appl. No. 29/449,929, filed Mar. 15, 2013, James K. Brannon.
U.S. Appl. No. 29/450,070, filed Mar. 15, 2013, James K. Brannon.
U.S. Appl. No. 61/839,152, filed Jun. 25, 2013, James K. Brannon.
U.S. Appl. No. 13/944,696, filed Jul. 17, 2013, James K. Brannon.
U.S. Appl. No. 61/891,836, filed Oct. 16, 2013, James K. Brannon.

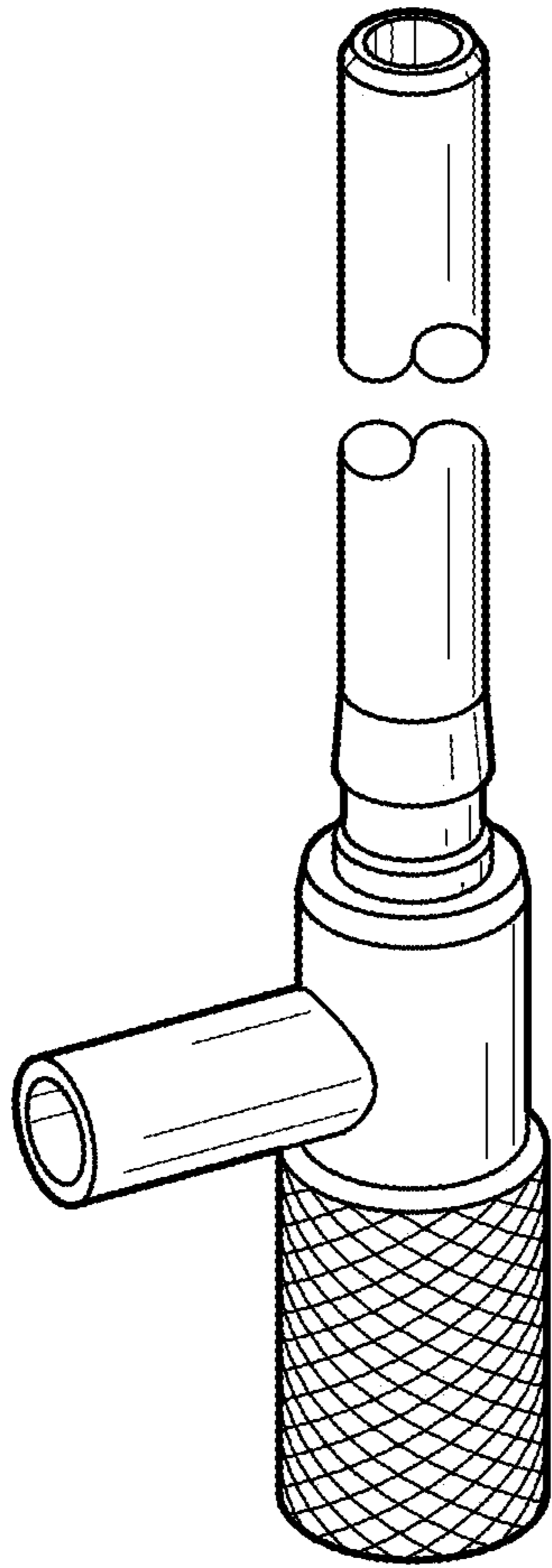


Fig. 1

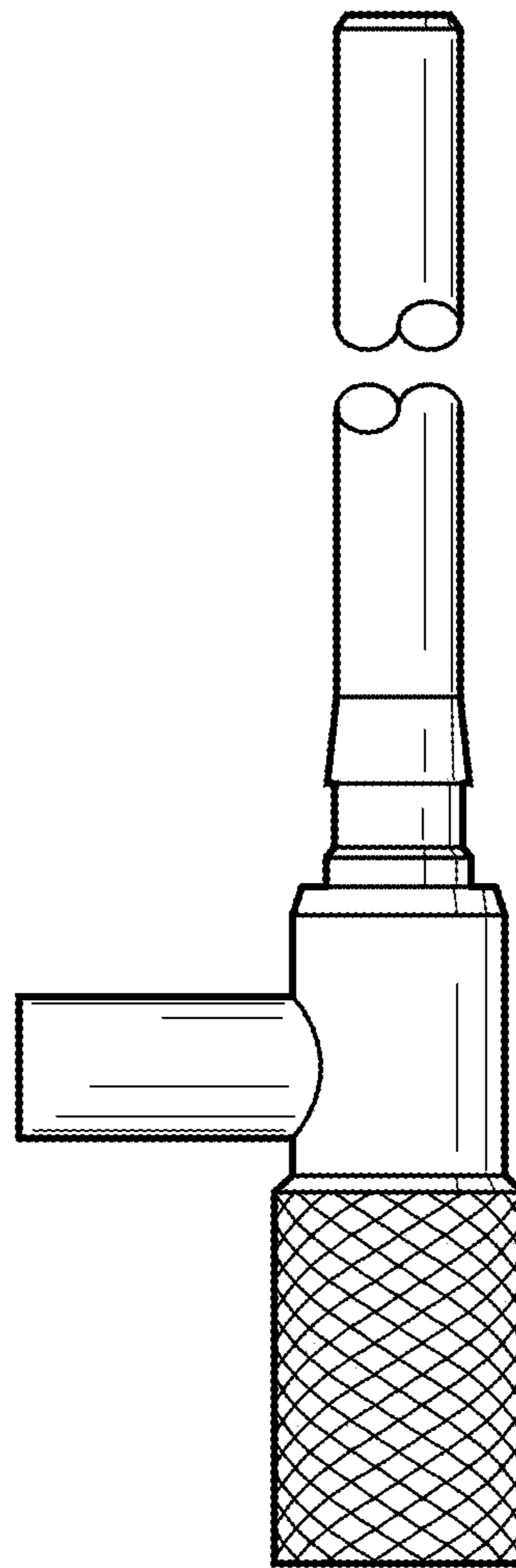


Fig. 2

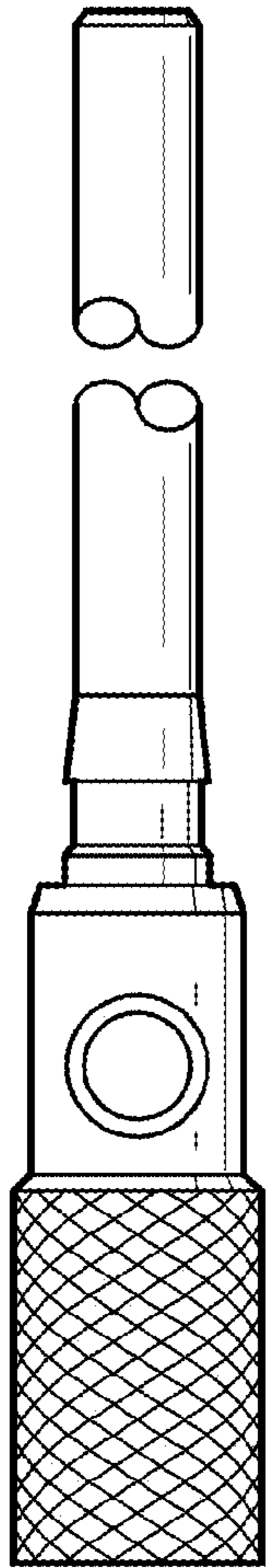


Fig. 3

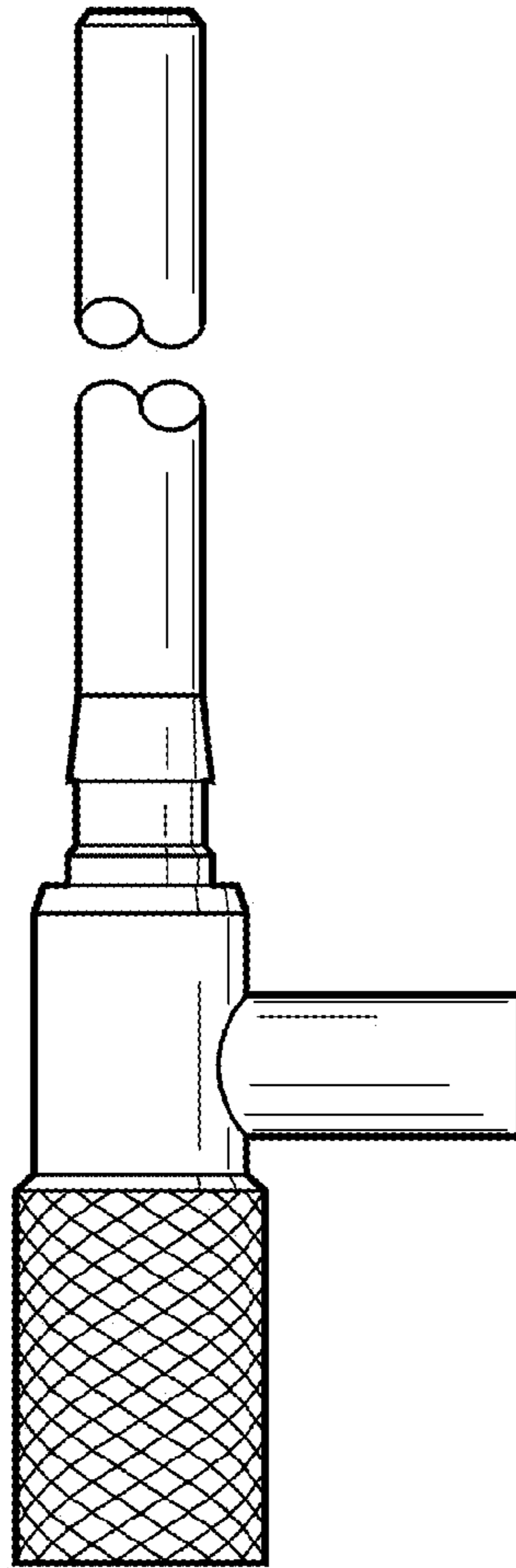


Fig. 4

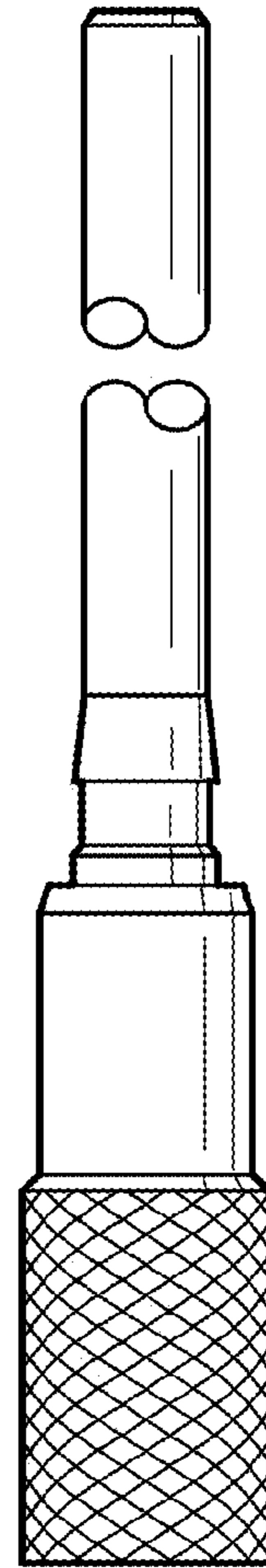


Fig. 5

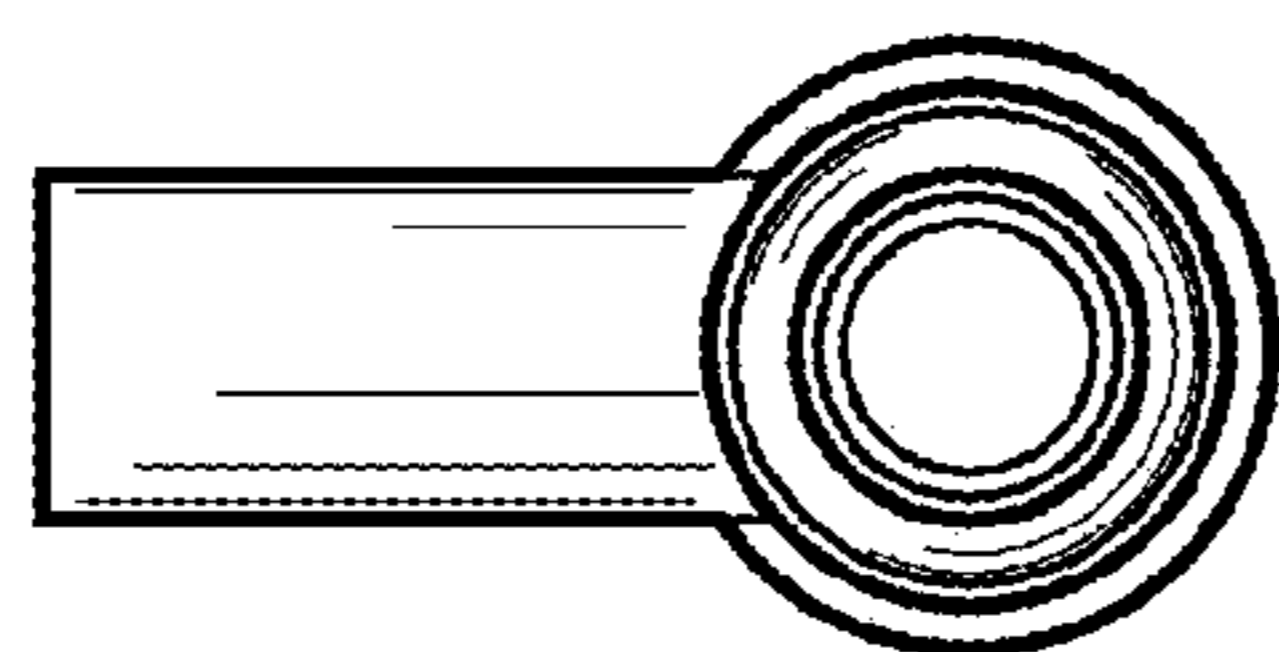


Fig. 6

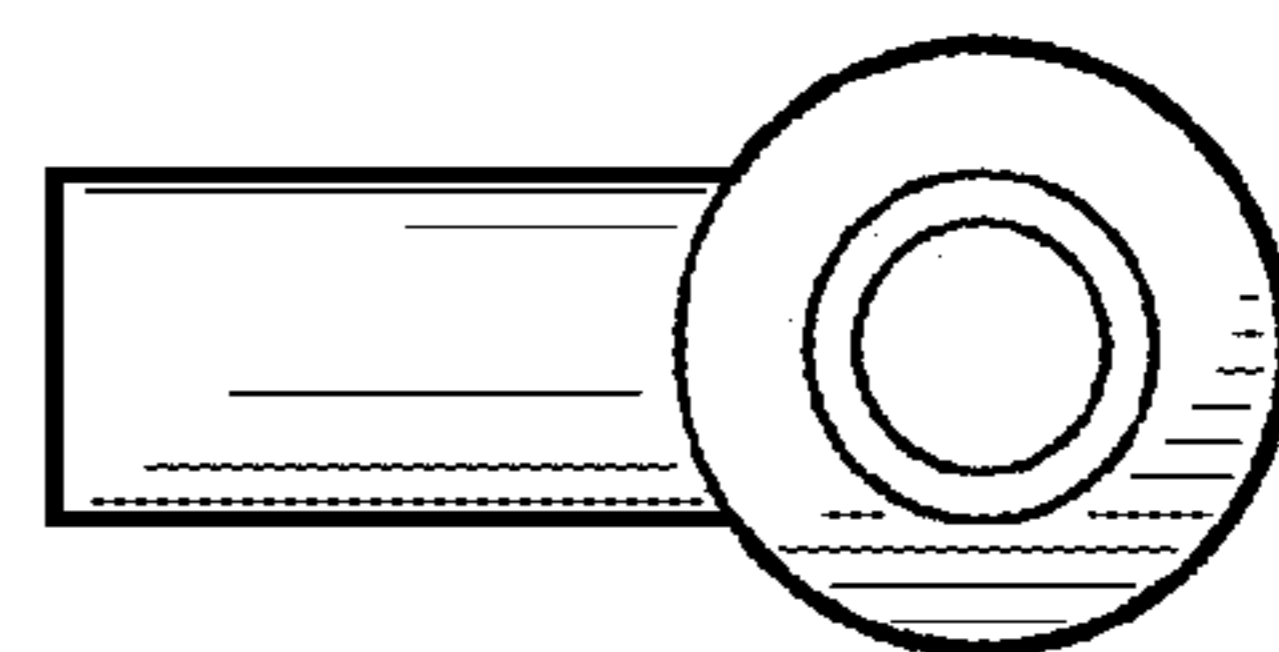


Fig. 7