



US00D749216S

(12) **United States Design Patent**  
**Schepperhyn**

(10) **Patent No.:** **US D749,216 S**

(45) **Date of Patent:** **\*\* Feb. 9, 2016**

(54) **MEDICAL MIRROR**

(71) Applicant: **E. HAHNENKRATT GmbH,**  
Koenigsbach-Stein (DE)

(72) Inventor: **Hendrik Schepperhyn,** Remchingen  
(DE)

(73) Assignee: **E. HAHNENKRATT GMBH,**  
Koenigsbach-Stein (DE)

(\*\*) Term: **14 Years**

(21) Appl. No.: **29/464,507**

(22) Filed: **Aug. 16, 2013**

(30) **Foreign Application Priority Data**

Feb. 20, 2013 (EM) ..... 002188060-0001  
Feb. 20, 2013 (EM) ..... 002188060-0002  
Feb. 20, 2013 (EM) ..... 002188060-0003  
Apr. 12, 2013 (EM) ..... 002219550-0003

(51) **LOC (10) Cl.** ..... **24-02**

(52) **U.S. Cl.**  
USPC ..... **D24/139**

(58) **Field of Classification Search**  
USPC ..... D24/133, 135, 136, 137, 138, 139  
CPC ..... A61B 1/247; A61B 1/253; A61B 1/24;  
A61B 2017/00858; A61B 2017/00429  
See application file for complete search history.

(56) **References Cited**

**U.S. PATENT DOCUMENTS**

D141,630 S \* 6/1945 Chapman ..... D19/47  
2,627,206 A \* 2/1953 Clark ..... 359/882  
D193,428 S \* 8/1962 Flossmoor, III ..... D24/139  
D238,281 S \* 12/1975 Cali ..... D24/139  
5,295,826 A \* 3/1994 Yandell et al. .... 433/31  
D355,463 S \* 2/1995 Markward et al. .... D21/756  
D359,758 S \* 6/1995 Inami ..... D19/199  
D391,316 S \* 2/1998 Morris et al. .... D21/756  
5,813,856 A \* 9/1998 Lee ..... 433/31

D441,864 S \* 5/2001 Maijer ..... D24/139  
D450,872 S \* 11/2001 Dalebout et al. .... D26/49  
D462,404 S \* 9/2002 Huang ..... D21/756  
D471,590 S \* 3/2003 Lecce ..... D19/175  
D512,758 S \* 12/2005 Tuerschmann et al. .... D21/756  
D521,803 S \* 5/2006 Bieger ..... D7/396.4  
D625,468 S \* 10/2010 Rhoad ..... D28/47  
D631,118 S \* 1/2011 Chen ..... D21/756

(Continued)

*Primary Examiner* — Bridget L Eland

(74) *Attorney, Agent, or Firm* — Rabin & Berdo, P.C.

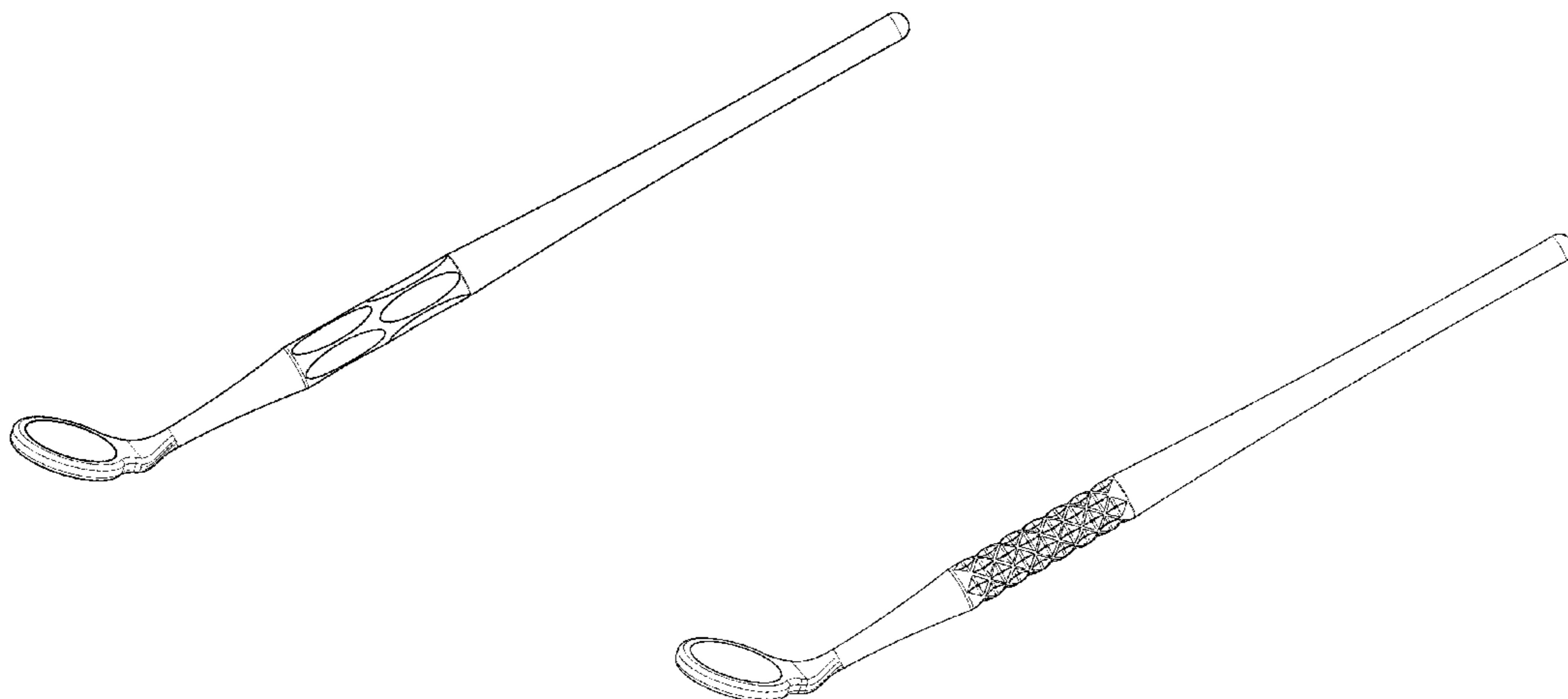
(57) **CLAIM**

The ornamental design for a medical mirror, as shown and described.

**DESCRIPTION**

FIG. 1 is a front view of a medical mirror showing my new design;  
FIG. 2 is a top view thereof;  
FIG. 3 is a bottom view thereof;  
FIG. 4 is a left side view thereof;  
FIG. 5 is a right side view thereof;  
FIG. 6 is a rear view thereof;  
FIG. 7 is a perspective view thereof;  
FIG. 8 is a front view of a second embodiment of a medical mirror showing my new design;  
FIG. 9 is a top view thereof;  
FIG. 10 is a bottom view thereof;  
FIG. 11 is a left side view thereof;  
FIG. 12 is a right side view thereof;  
FIG. 13 is a rear view thereof;  
FIG. 14 is a perspective view thereof;  
FIG. 15 is a front view of a third embodiment of a medical mirror showing my new design;  
FIG. 16 is a top view thereof;  
FIG. 17 is a bottom view thereof;  
FIG. 18 is a left side view thereof;  
FIG. 19 is a right side view thereof;  
FIG. 20 is a rear view thereof; and,  
FIG. 21 is a perspective view thereof.

**1 Claim, 21 Drawing Sheets**



# US D749,216 S

Page 2

---

(56)

## References Cited

### U.S. PATENT DOCUMENTS

D637,884 S \* 5/2011 Trotta ..... D8/303  
D652,137 S \* 1/2012 Nino et al. .... D24/133  
D655,815 S \* 3/2012 Miller et al. .... D24/133  
D660,421 S \* 5/2012 Miller et al. .... D24/133

D664,225 S \* 7/2012 Lamkin et al. .... D21/756  
D695,457 S \* 12/2013 Watson ..... D28/47  
2002/0098461 A1\* 7/2002 Cardarelli ..... 433/30  
2008/0110853 A1\* 5/2008 Toms ..... 215/383  
2014/0023984 A1\* 1/2014 Weatherly et al. .... 433/31

\* cited by examiner

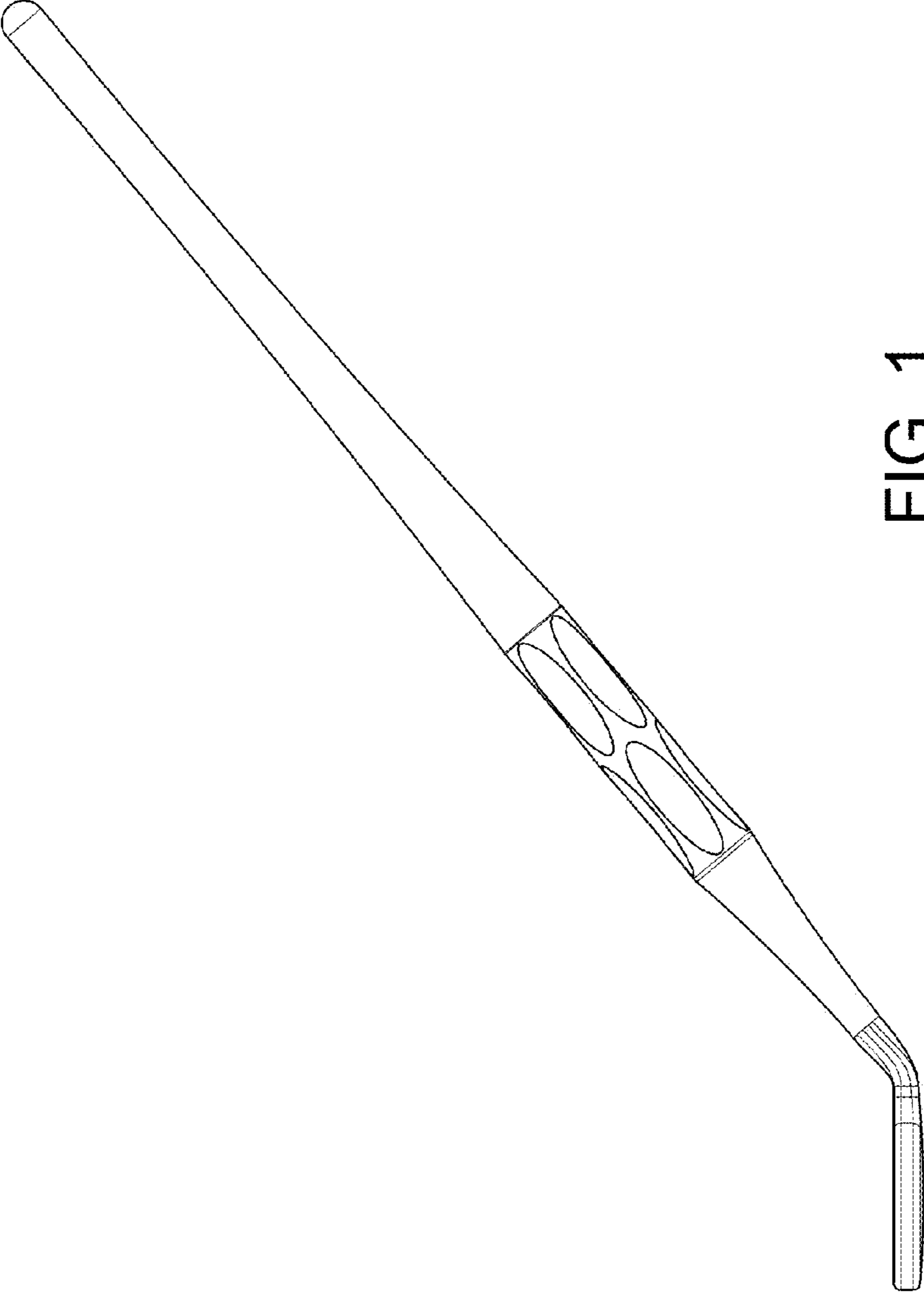


FIG. 1

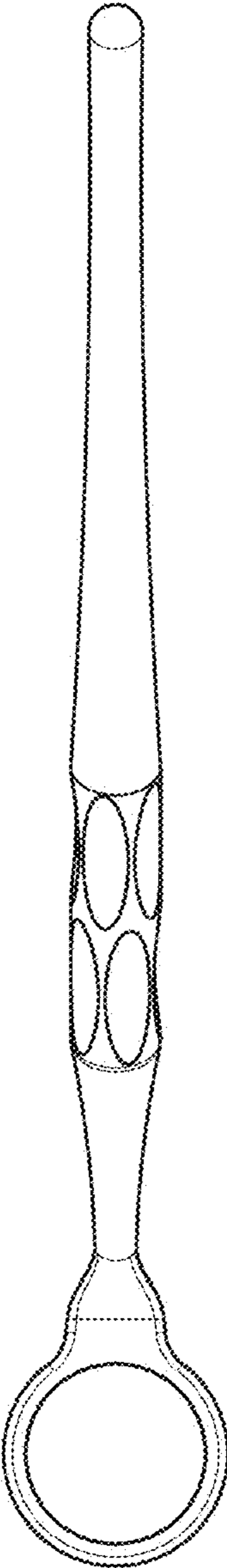


FIG. 2

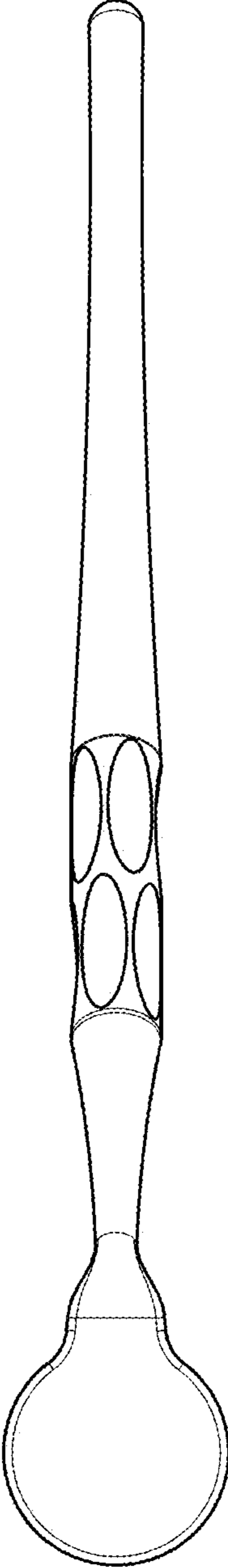


FIG. 3

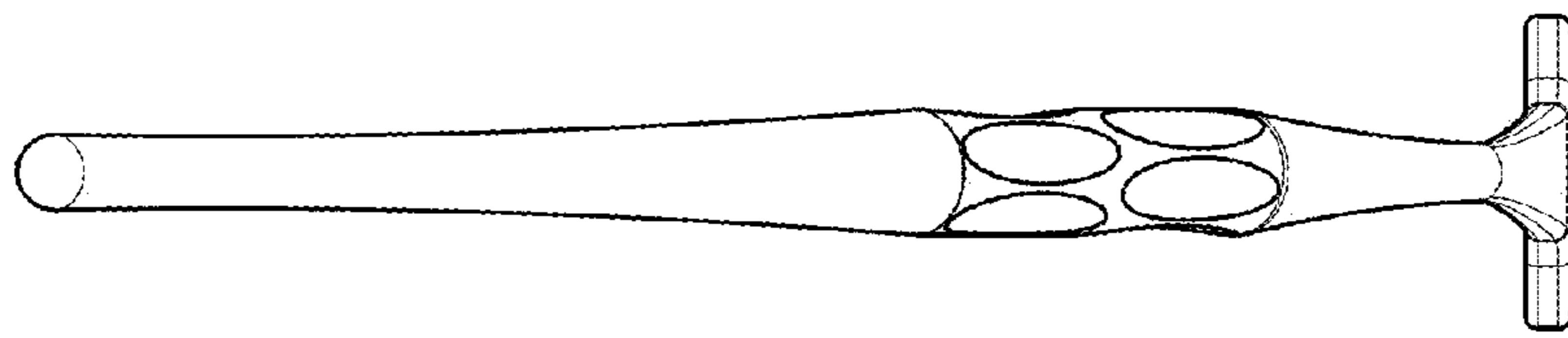


FIG. 4

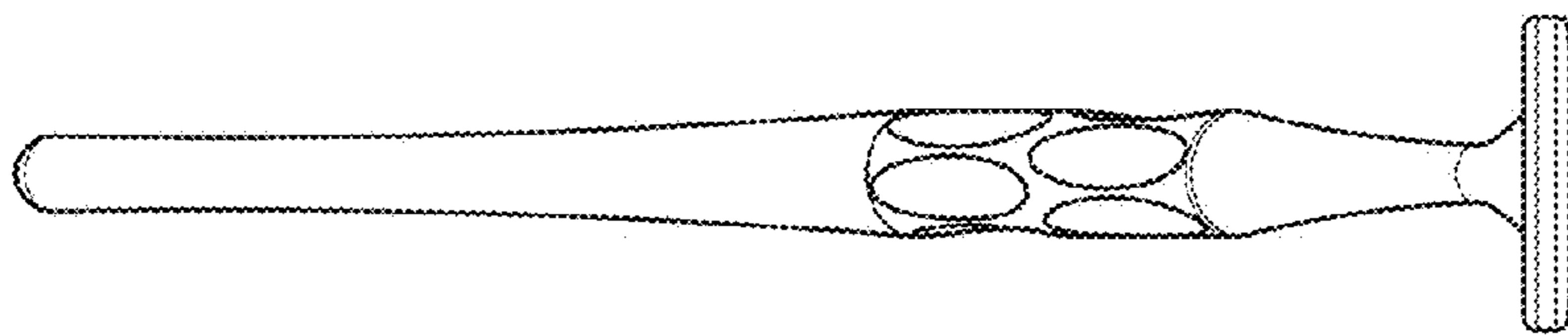


FIG. 5

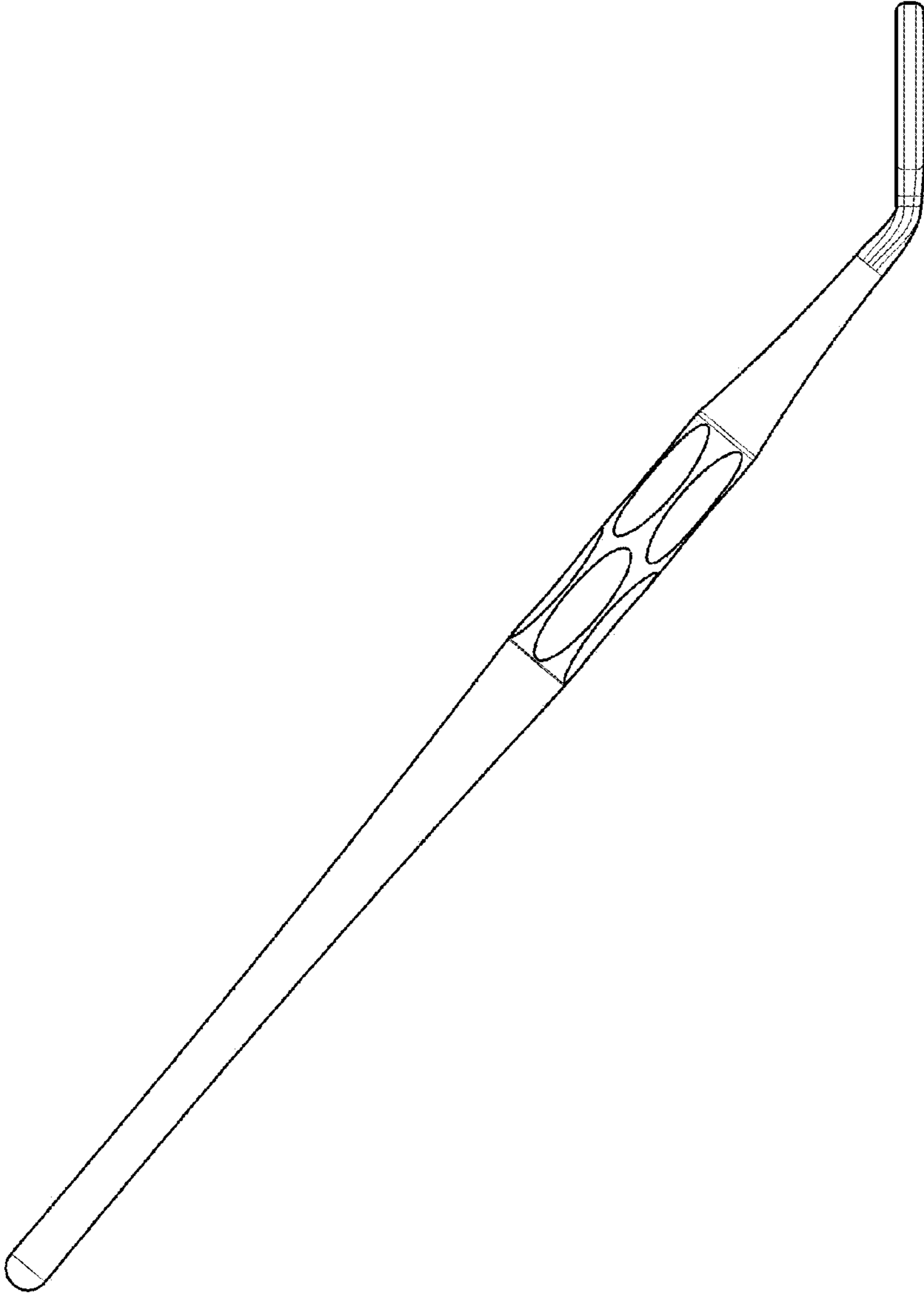


FIG. 6



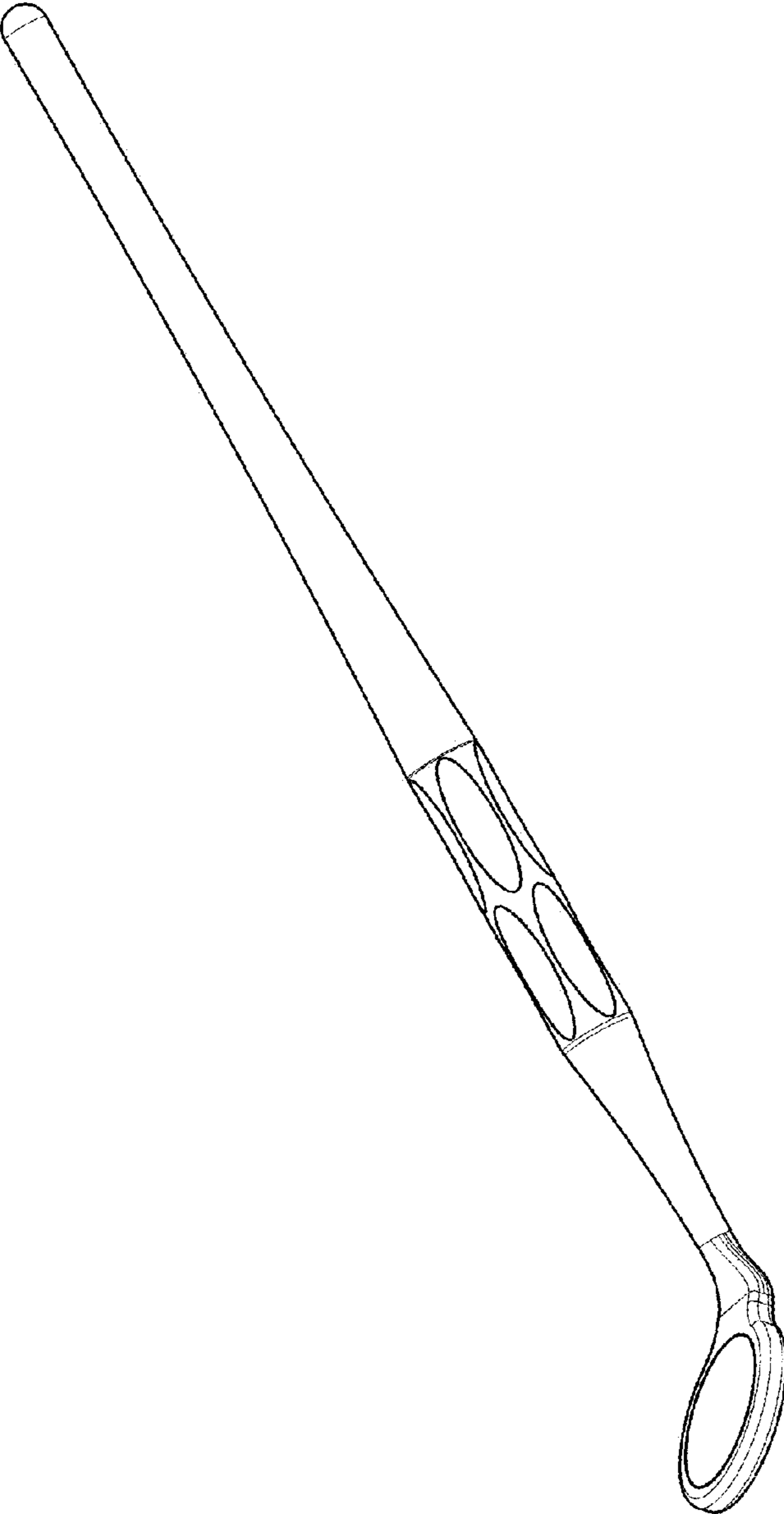


FIG. 7

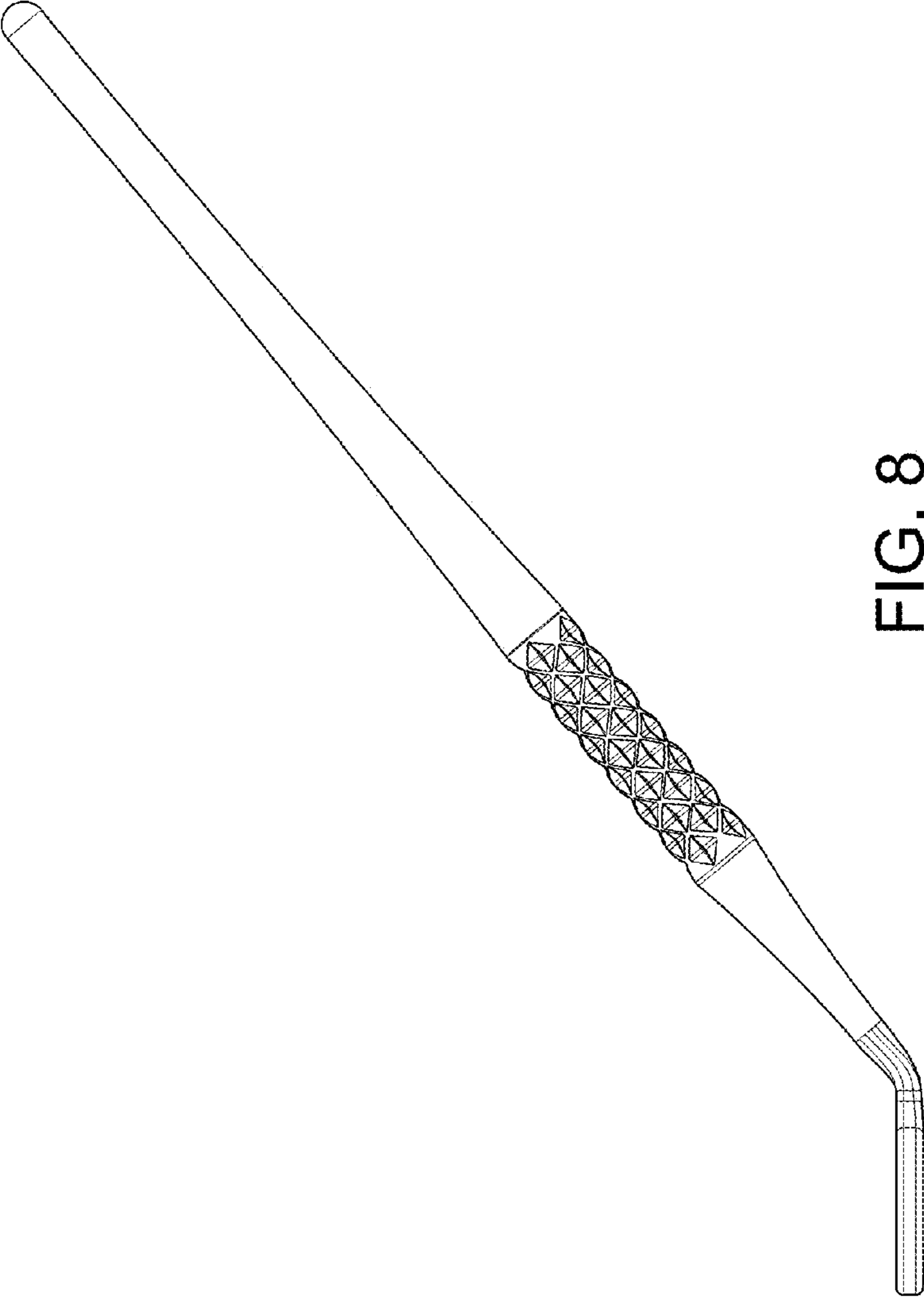


FIG. 8

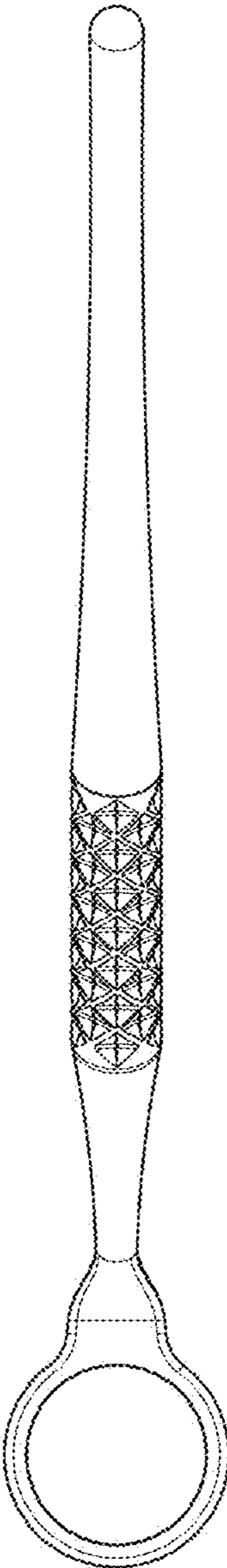


FIG. 9

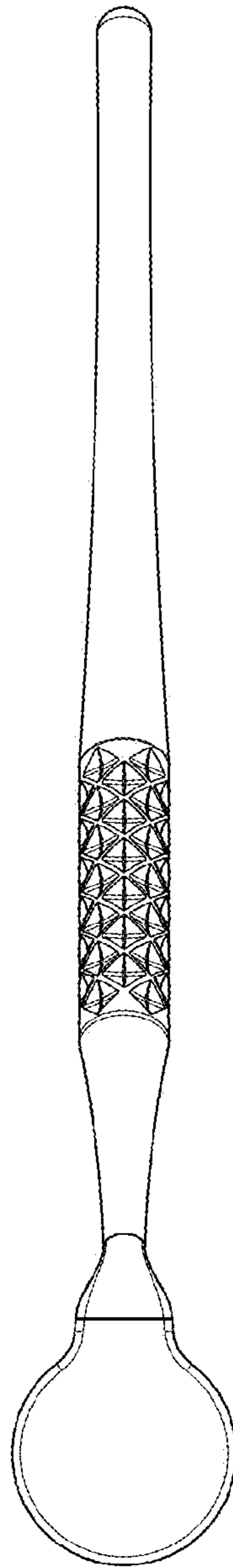


FIG. 10

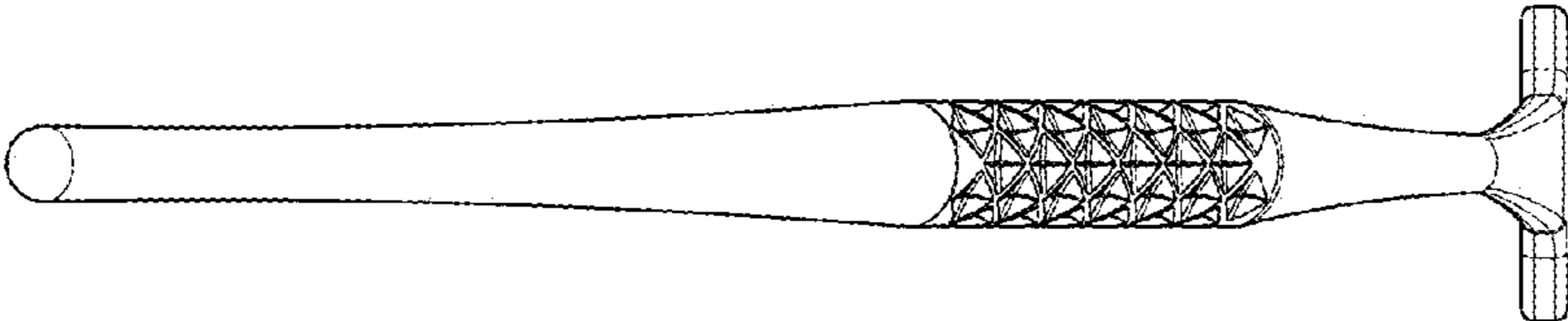


FIG. 11

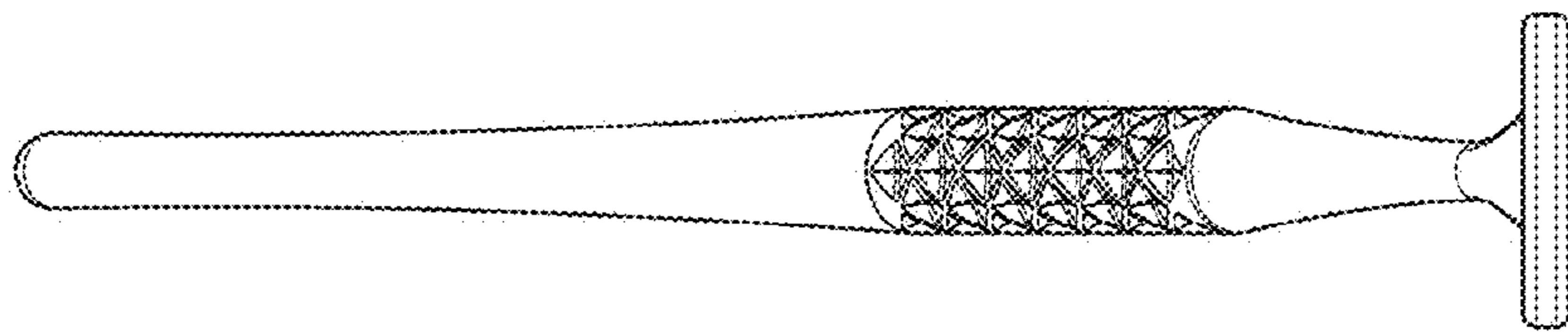


FIG. 12

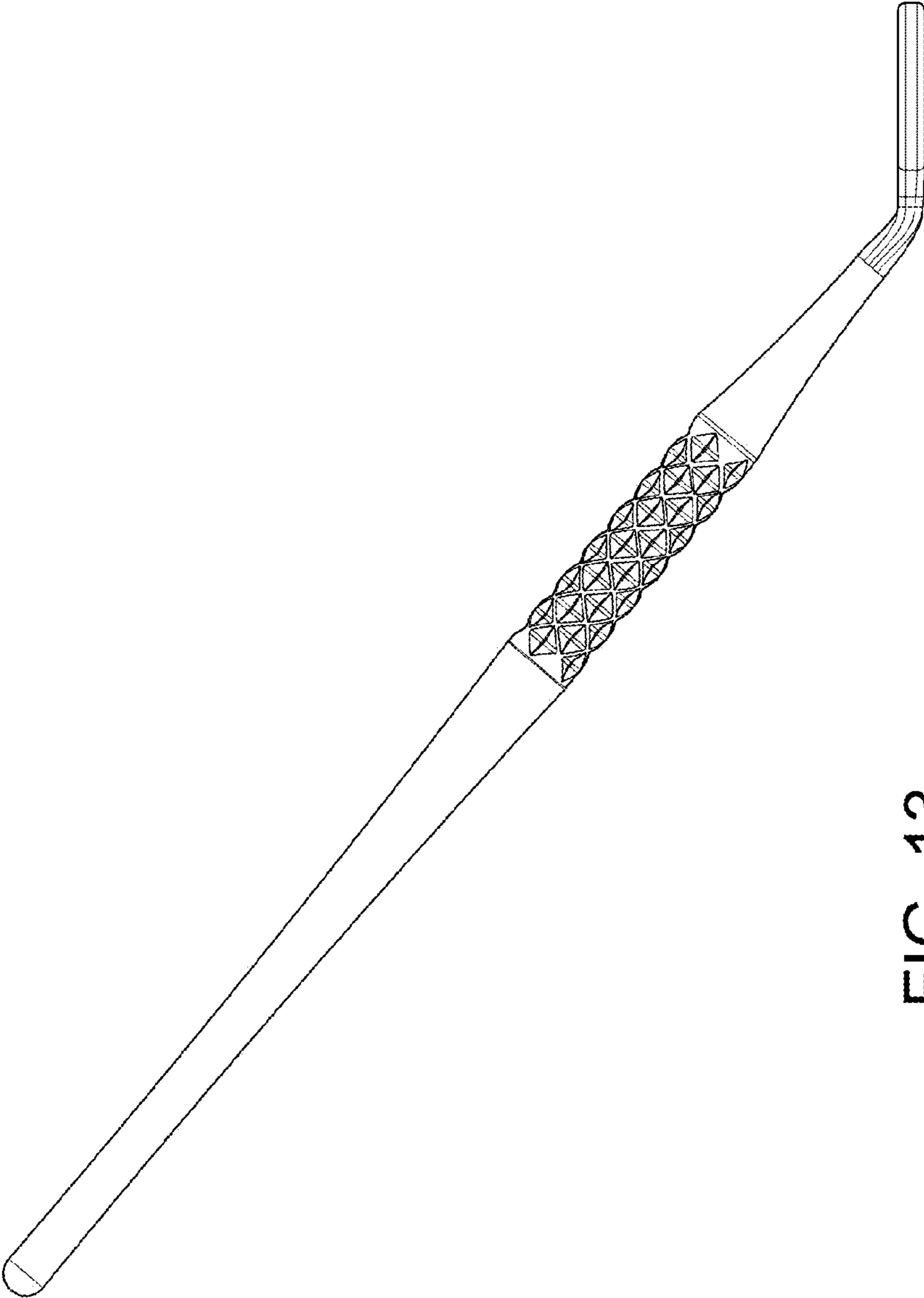


FIG. 13

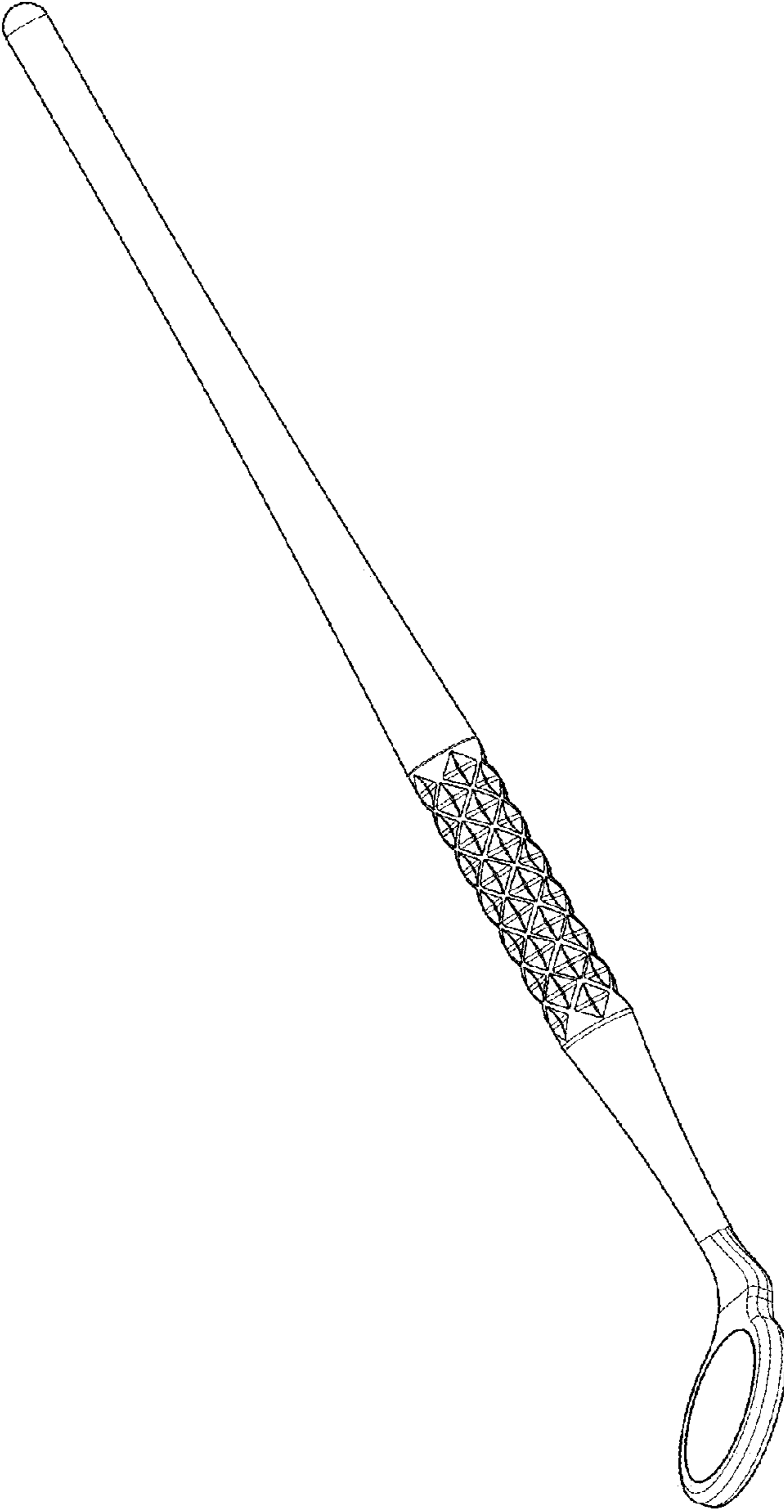


FIG. 14



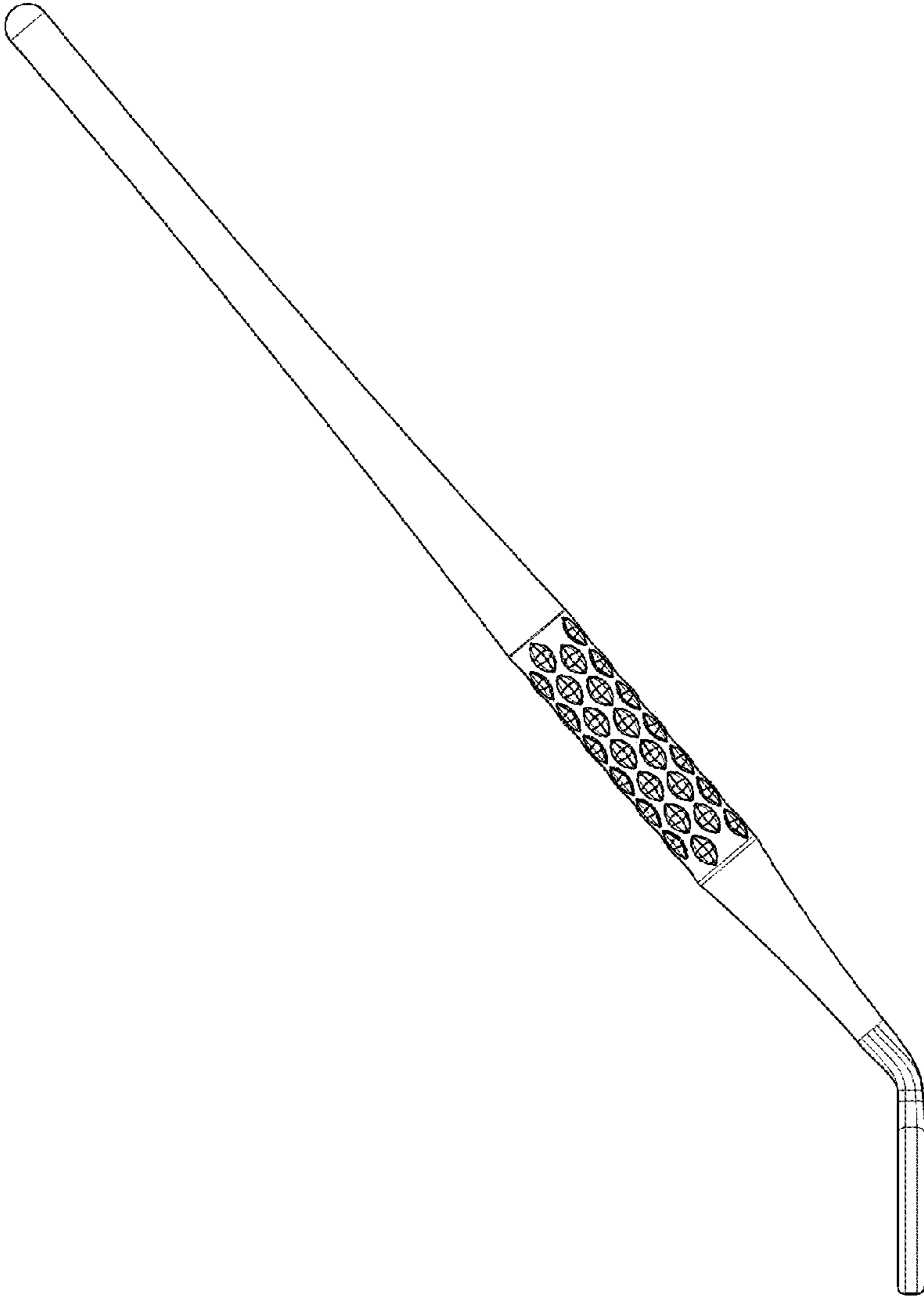


FIG. 15

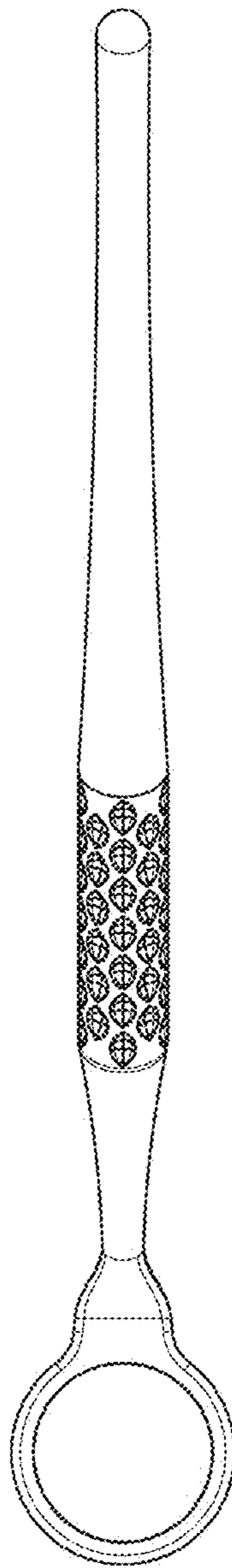


FIG. 16

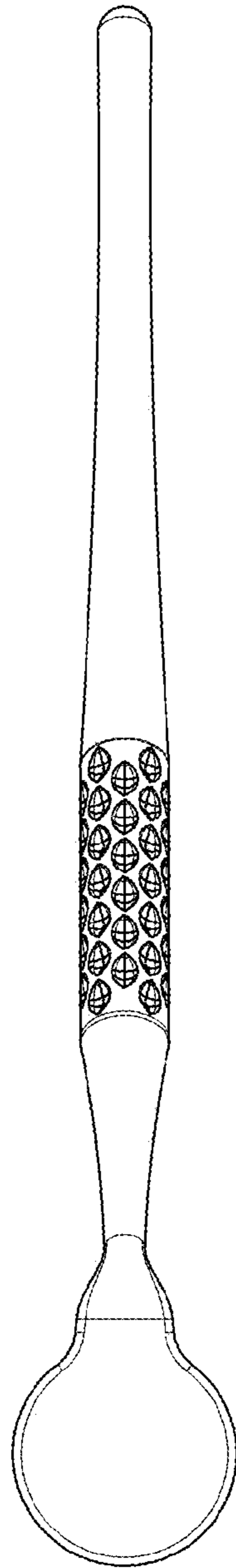


FIG. 17

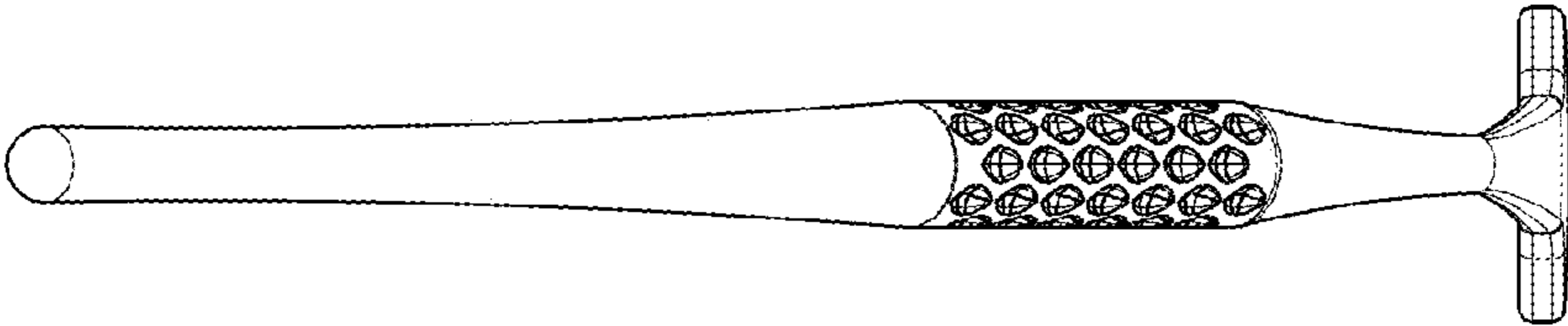


FIG. 18

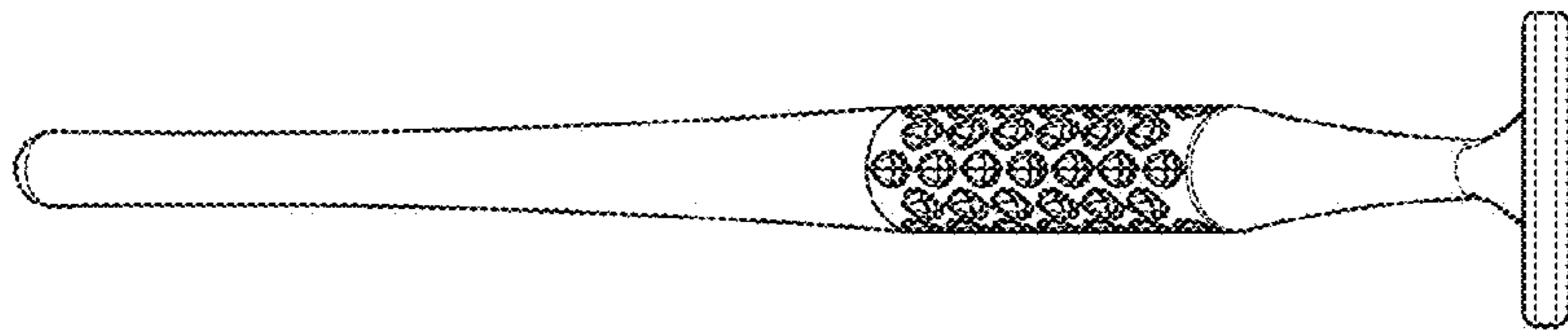


FIG. 19

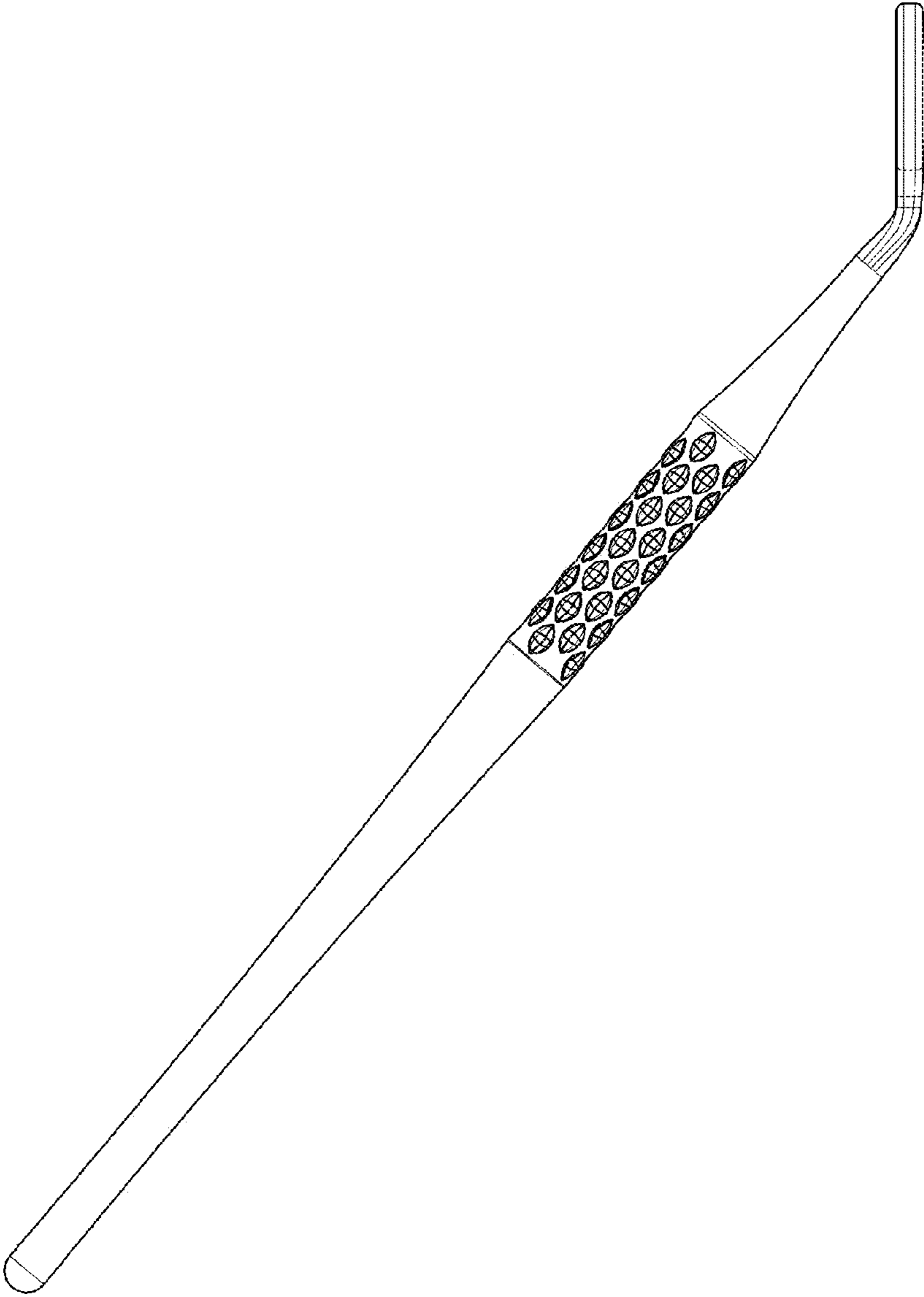


FIG. 20

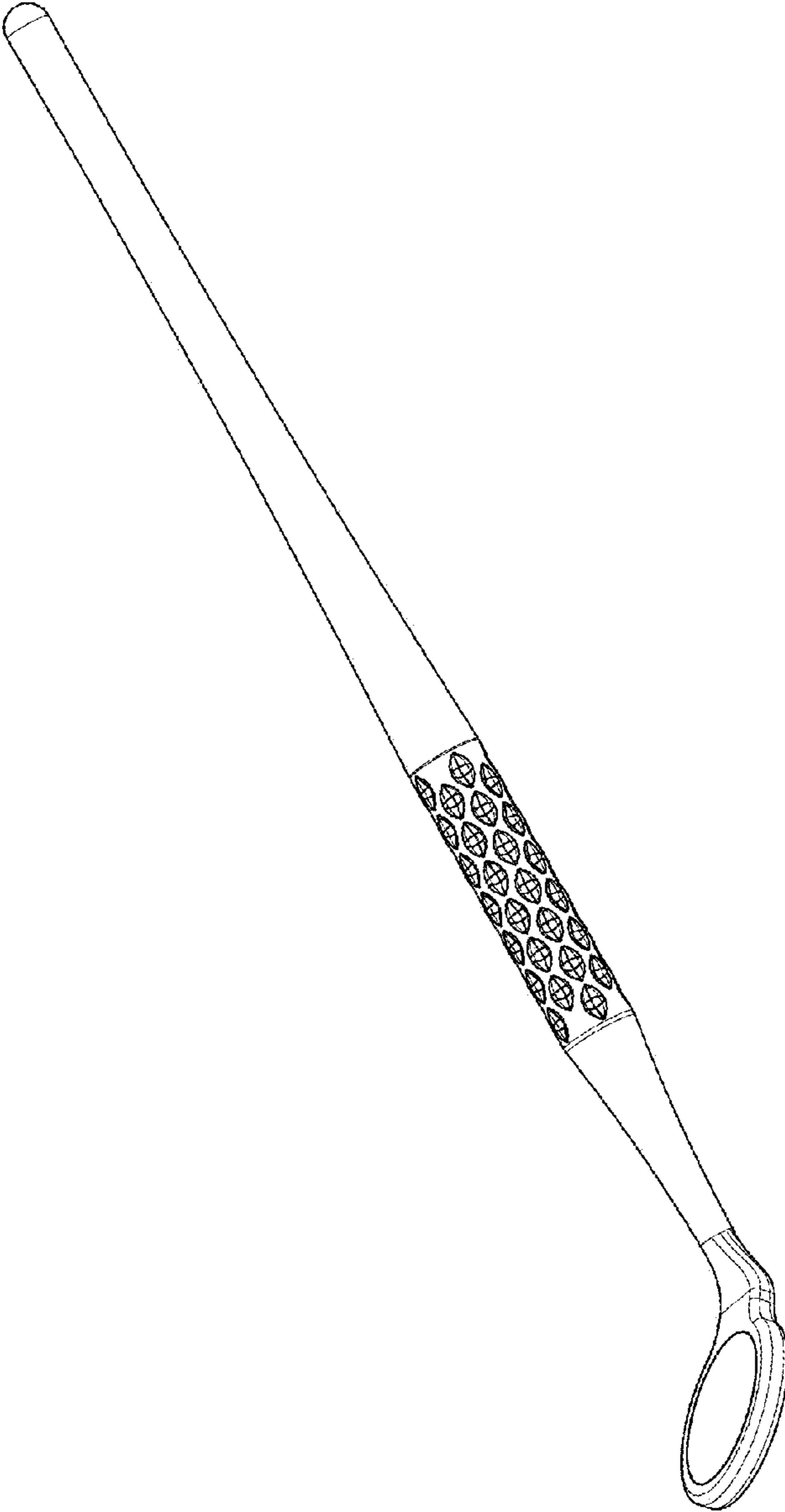


FIG. 21