



US00D749214S

(12) **United States Design Patent**
Uenishi et al.

(10) **Patent No.:** **US D749,214 S**
(45) **Date of Patent:** **** Feb. 9, 2016**

(54) **NEEDLE INTRODUCER CATHETER**

(71) Applicant: **NIPRO CORPORATION**, Osaka-shi,
Osaka (JP)

(72) Inventors: **Masayuki Uenishi**, Osaka (JP);
Hiroyuki Nakagami, Osaka (JP);
Tomohiro Uchimura, Osaka (JP);
Shingo Sakamoto, Osaka (JP)

(73) Assignee: **NIPRO CORPORATION**, Osaka (JP)

(**) Term: **14 Years**

(21) Appl. No.: **29/508,605**

(22) Filed: **Nov. 7, 2014**

(30) **Foreign Application Priority Data**

May 19, 2014 (JP) 2014-010606

(51) **LOC (10) Cl.** **24-02**

(52) **U.S. Cl.**
USPC **D24/130**

(58) **Field of Classification Search**
USPC D24/127-131, 112-114, 133, 186;
606/181, 185; 604/264, 523-528, 272,
604/187, 158, 164.01-164.11, 181, 184,
604/227; 600/101, 139, 143
CPC . A61M 25/065; A61M 5/42; A61M 25/0612;
A61M 25/00; A61M 39/00; A61M 27/00;
A61M 25/0043; A61M 25/0067; A61M
25/0097; A61F 2/958
See application file for complete search history.

(56) **References Cited**

U.S. PATENT DOCUMENTS

D376,200 S 12/1996 Lindgren et al.
D395,501 S 6/1998 Erskine et al.
D498,844 S * 11/2004 Diamond D24/130

D609,804 S * 2/2010 Uchida D24/112
D636,489 S * 4/2011 D'Agostino D24/130
D653,338 S * 1/2012 Mangeshikar D24/133
D679,803 S * 4/2013 Carter D24/112
D700,318 S * 2/2014 Amoah D24/112
D701,304 S * 3/2014 Lair D24/129
D709,187 S * 7/2014 Li D24/129
D709,188 S * 7/2014 Guala D24/130
D713,957 S * 9/2014 Woehr D24/112
D735,321 S * 7/2015 Blanchard D24/112
D736,916 S * 8/2015 Appling D24/130
D737,430 S * 8/2015 Wargner D24/112

FOREIGN PATENT DOCUMENTS

EM 002140939-0001 12/2012
JP D1382646 S 3/2010
JP D1450206 S 9/2012

* cited by examiner

Primary Examiner — David Muller

(74) *Attorney, Agent, or Firm* — Brinks Gilson & Lione

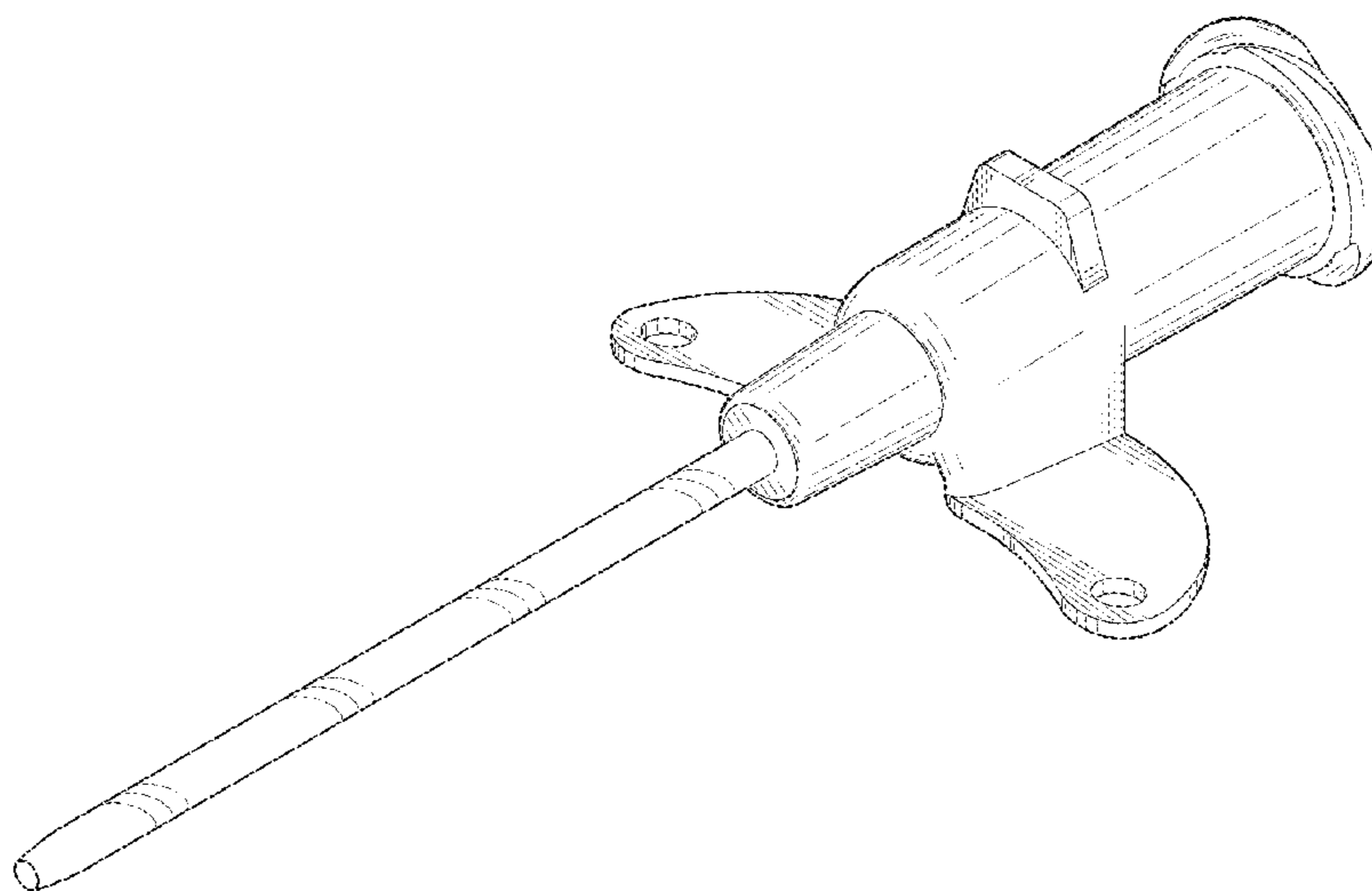
(57) **CLAIM**

We claim the ornamental design for a needle introducer catheter, as shown and described.

DESCRIPTION

FIG. 1 is a front perspective view of a needle introducer catheter of the present invention;
FIG. 2 is a rear perspective view thereof;
FIG. 3 is a first side view thereof;
FIG. 4 is a second side view thereof;
FIG. 5 is a top view thereof;
FIG. 6 is a bottom view thereof;
FIG. 7 is a front view thereof; and,
FIG. 8 is a rear view thereof.
The broken line showing of parts of the drawings is included for the purpose of illustrating use and environment and forms no part of the claimed design.

1 Claim, 8 Drawing Sheets



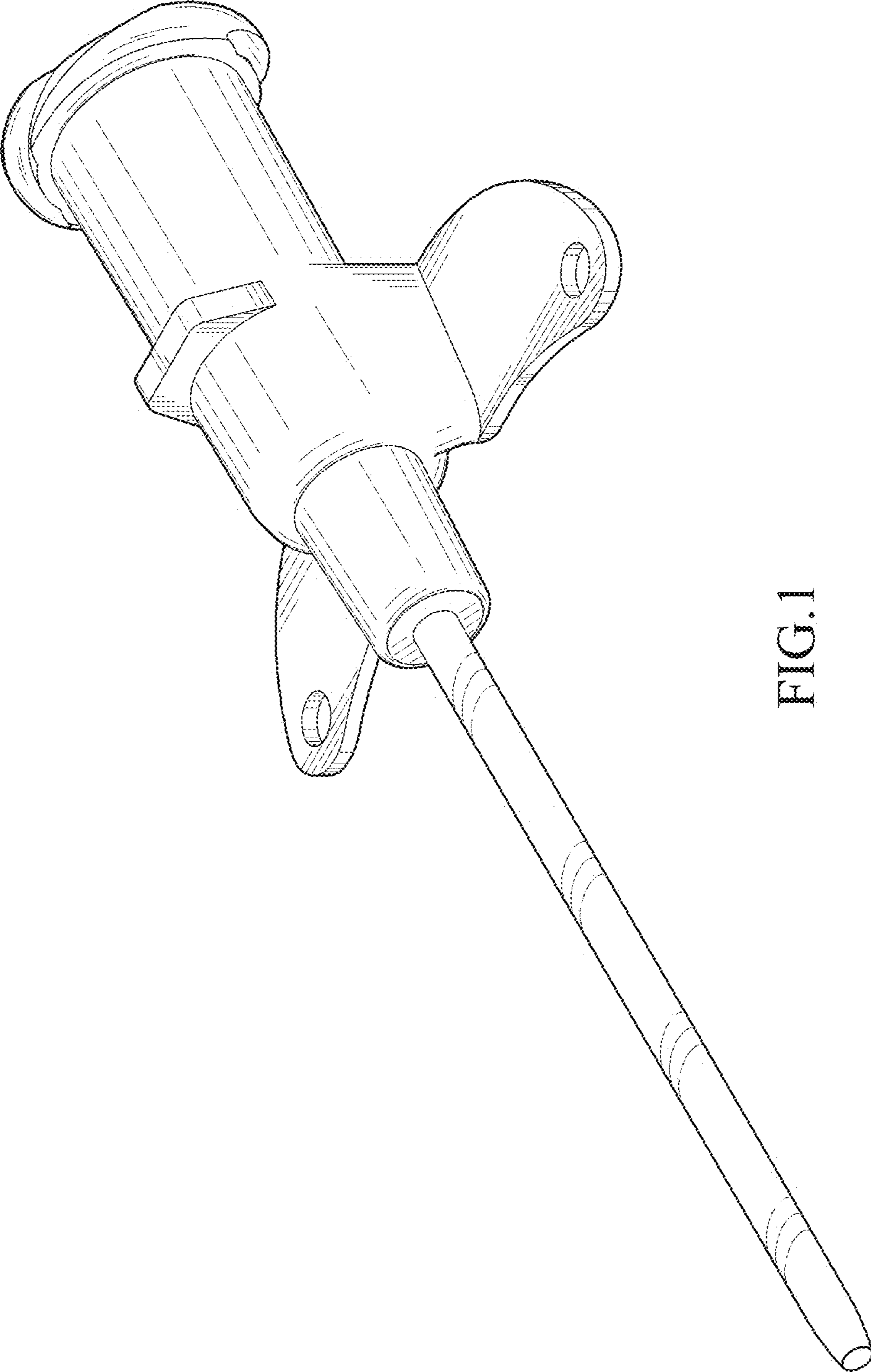


FIG. 1

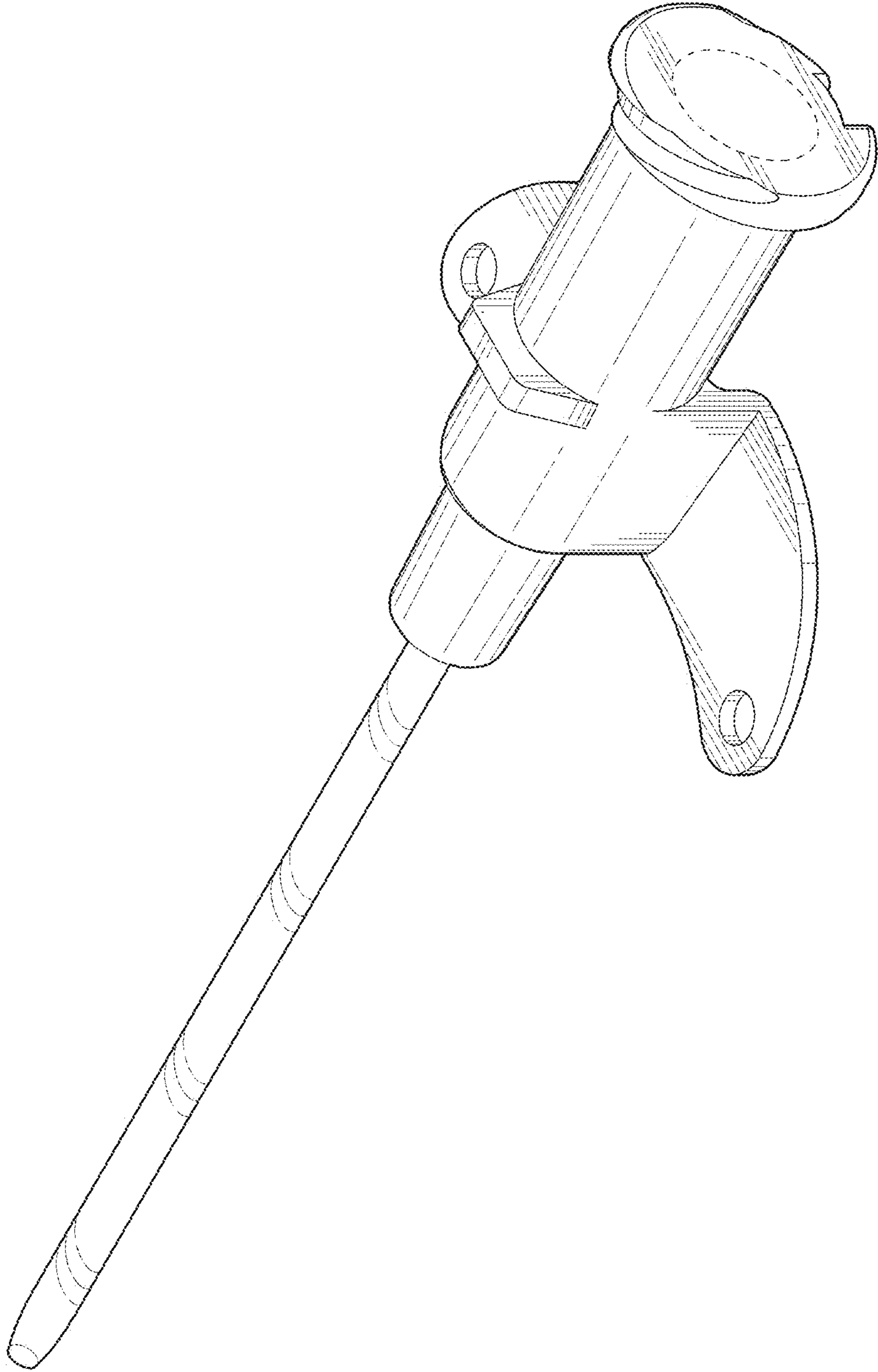


FIG.2

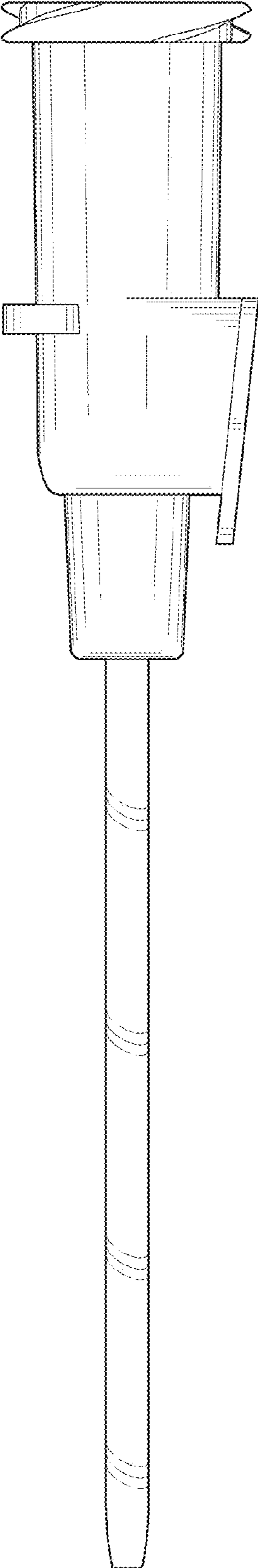


FIG.3

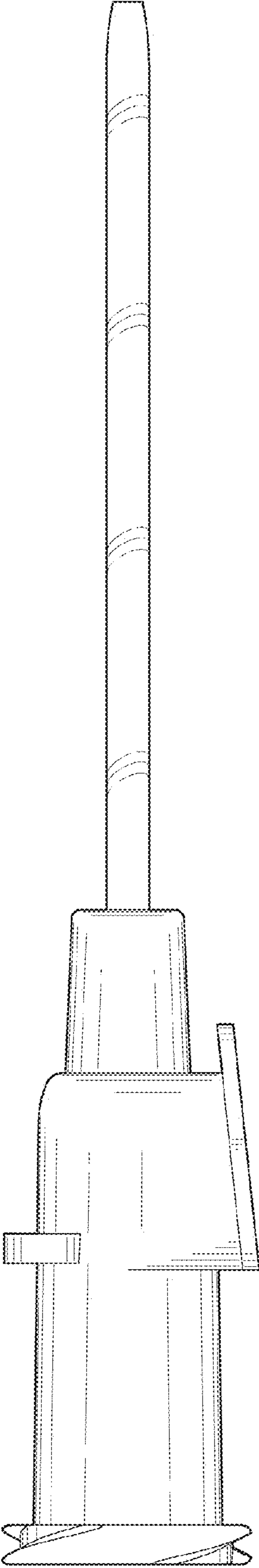


FIG.4

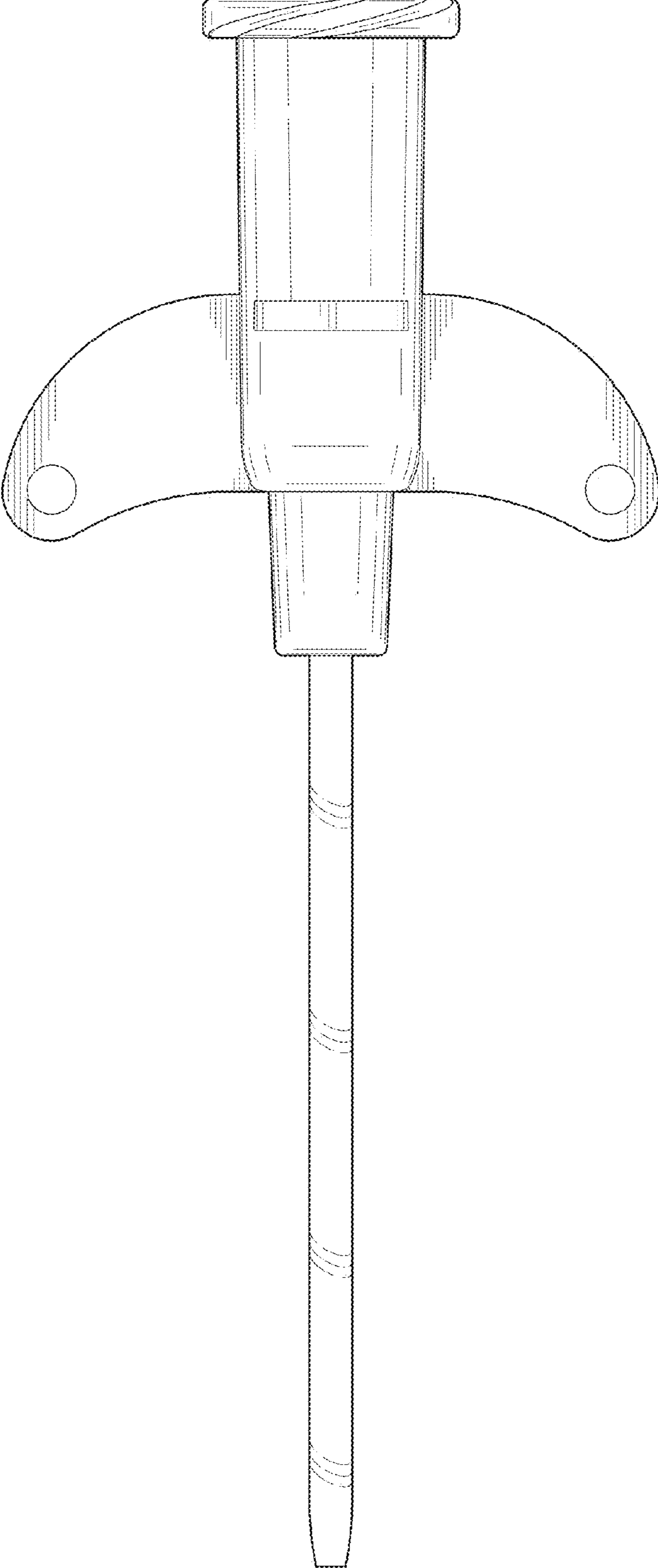


FIG.5

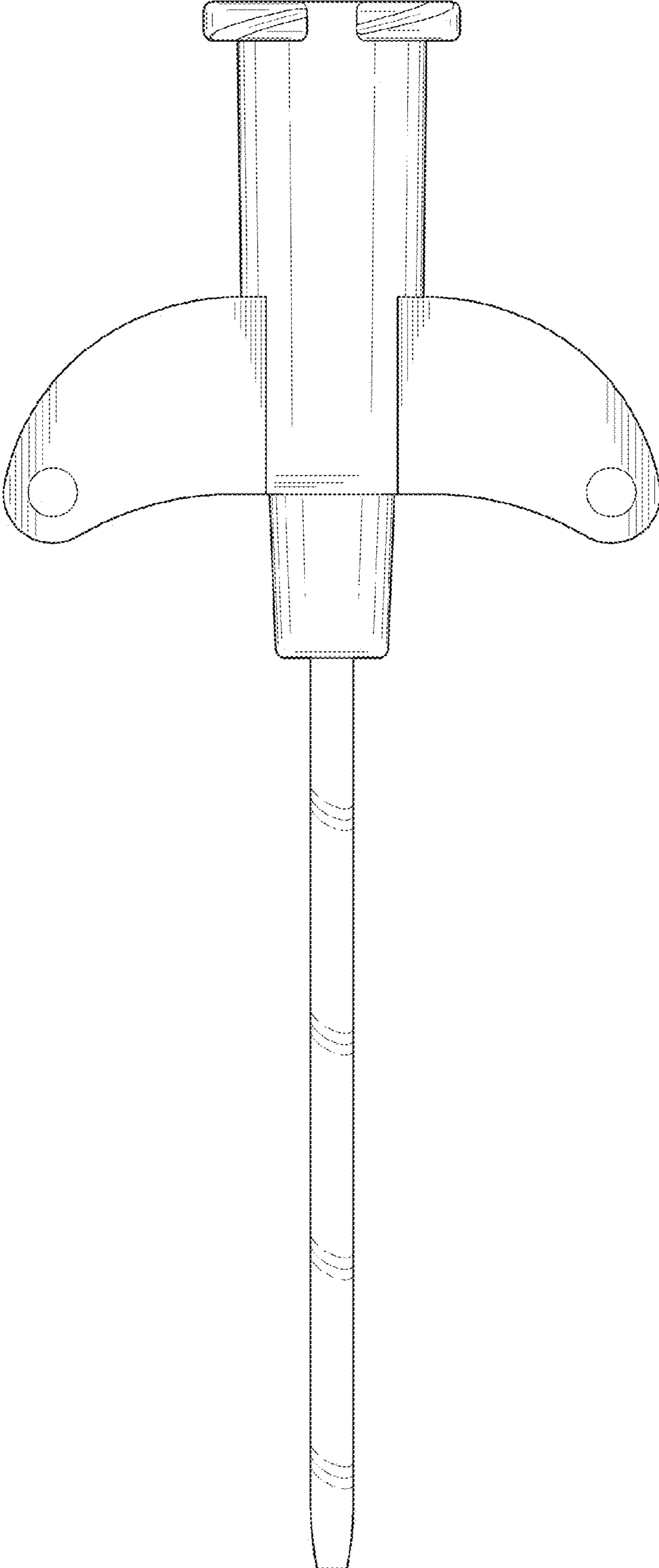


FIG.6

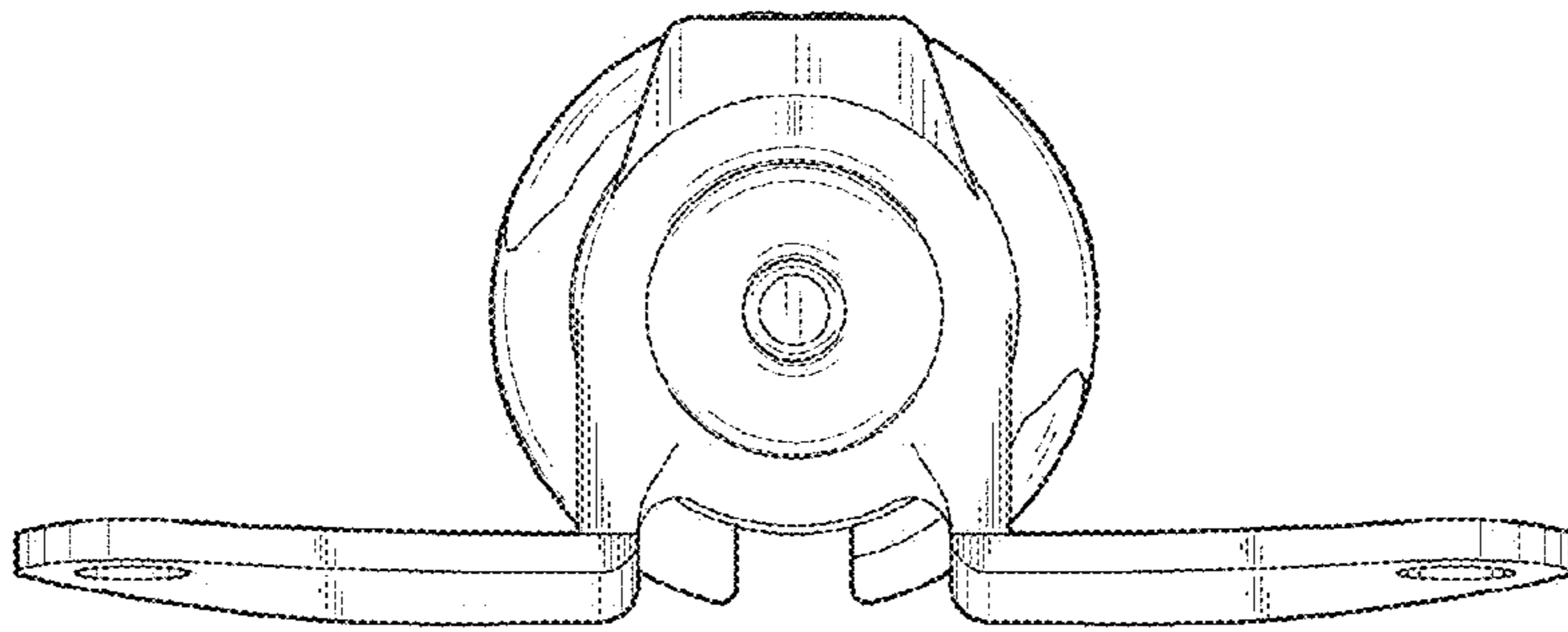


FIG. 7

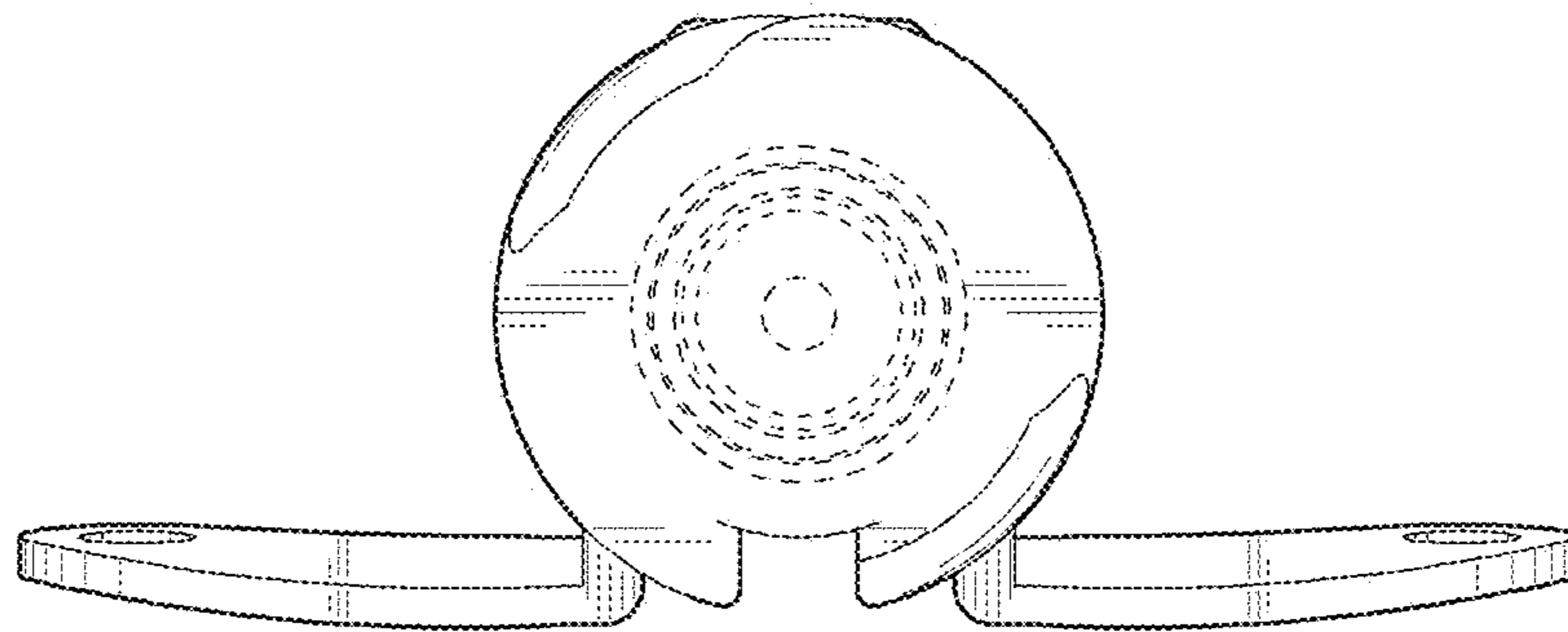


FIG. 8