



US00D749213S

(12) **United States Design Patent**
Chauvette

(10) **Patent No.:** **US D749,213 S**
(45) **Date of Patent:** **** Feb. 9, 2016**

(54) **CONNECTOR**

- (71) Applicant: **ConMed Corporation**, Utica, NY (US)
- (72) Inventor: **Guillaume Chauvette**, Victoriaville (CA)
- (73) Assignee: **Conmed Corporation**, Utica, NY (US)
- (**) Term: **14 Years**
- (21) Appl. No.: **29/522,583**
- (22) Filed: **Mar. 31, 2015**

Related U.S. Application Data

- (62) Division of application No. 29/439,732, filed on Dec. 14, 2012, now Pat. No. Des. 739,527.
- (51) **LOC (10) Cl.** **24-01**
- (52) **U.S. Cl.**
USPC **D24/129**
- (58) **Field of Classification Search**
USPC D24/127-131, 112-114, 133, 186;
606/181, 185; 604/264, 272, 115, 232,
604/187, 158, 164.08, 192, 263, 163, 181,
604/184, 198, 227; 600/101, 139, 143;
128/200.24, 207.14, 207.15
See application file for complete search history.

(56) **References Cited**

U.S. PATENT DOCUMENTS

D257,063	S *	9/1980	Galindo	D24/127
D298,355	S *	11/1988	Young	D24/128
D303,710	S *	9/1989	Neill	D23/262
5,336,206	A *	8/1994	Shichman	A61B 17/3403 604/164.12
6,035,228	A	3/2000	Yanof et al.		
D431,864	S *	10/2000	Jansen	D24/129
D435,652	S *	12/2000	Nazarifar	D23/262
D670,553	S *	11/2012	Mahaffey	D8/330
D675,729	S *	2/2013	Wang	D24/108
D714,935	S *	10/2014	Nishioka	D24/130
D717,948	S *	11/2014	Strong	D24/130
2006/0235364	A1 *	10/2006	O'Hare	A61J 1/2096 604/411

(Continued)

FOREIGN PATENT DOCUMENTS

WO	9849944	11/1998
WO	0175318	10/2001

(Continued)

OTHER PUBLICATIONS

Torx; <http://en.wikipedia.org/wiki/Torx>; Feb. 3, 2004.

(Continued)

Primary Examiner — David Muller

Assistant Examiner — Nathan Johnston

(74) *Attorney, Agent, or Firm* — Frederick J. M. Price

(57) **CLAIM**

The ornamental design for a connector, as shown and described.

DESCRIPTION

FIG. 1 is a perspective view taken from a top, front, right side of a connector, according to a first embodiment of my new design;

FIG. 2 is a front elevation view thereof;

FIG. 3 is a perspective view taken from a top, front, right side of a connector, according to a second embodiment of my new design;

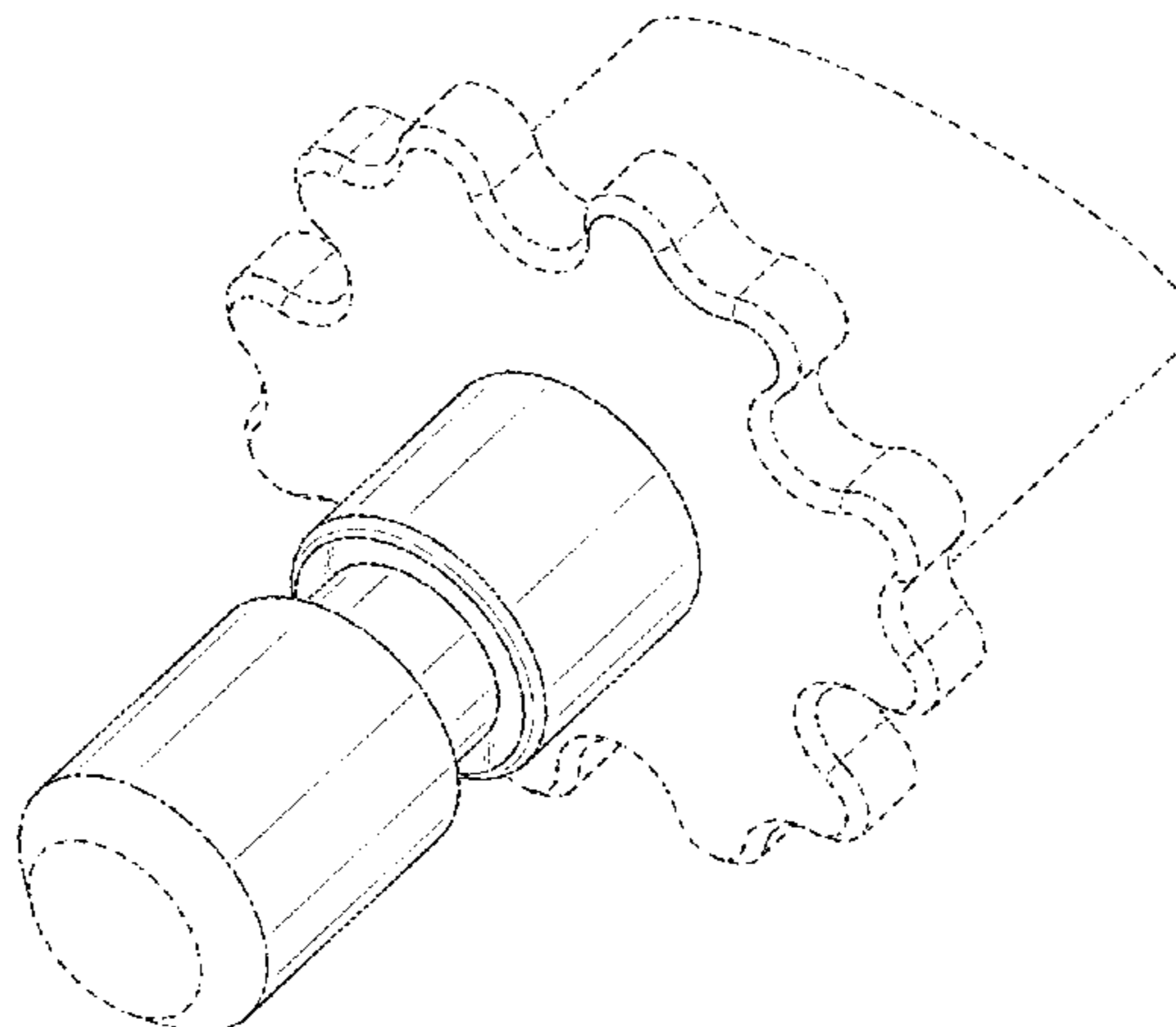
FIG. 4 is a front elevation view thereof;

FIG. 5 is a perspective view taken from a top, front, right side of a connector, according to a third embodiment of my new design; and,

FIG. 6 is a front elevation view thereof.

The dash dot lines immediately adjacent to the shaded areas in the views represent the boundaries of the claimed design. The dashed lines in the figures illustrate the portions of the design that form no part of the claimed design. None of the broken lines form any part of the claimed design.

1 Claim, 6 Drawing Sheets



(56)

References Cited

U.S. PATENT DOCUMENTS

2008/0132897 A1 6/2008 Livorsi et al.
2013/0331817 A1* 12/2013 Woehr A61M 5/3134
604/506

FOREIGN PATENT DOCUMENTS

WO 2008040537 4/2008
WO 2008132897 6/2008
WO 2009023851 2/2009
WO 2011008828 1/2011

OTHER PUBLICATIONS

Torx Plus; http://www.pemnet.com/design_info/torx.html; 2000.

Torx Plus Security; http://www.wihatools.com/700seri/716_ipr_serie.htm; 2007.
Triple Square; http://en.wikipedia.org/wiki/Triple_square; Triple_square; Jun. 3, 2010.
Polydrive; <http://en.wikipedia.org/wiki/Polydrive#Polydrive>; Jun. 3, 2010.
Splinedrive; http://en.wikipedia.org/wiki/Spline_drive#Spline; Jun. 4, 2010.
Bristol; http://en.wikipedia.org/wiki/Bristol_wrench#Bristol; Jun. 4, 2010.
Pentalobular; http://en.wikipedia.org/wiki/Pentalobular_screw#Pentalobular; Jan. 20, 2011.
The AssistArm youtube video by GCS Medical Inc, Jun. 14, 2012, <https://www.youtube.com/watch?v=GpA9J90pw38>.
The AssistArm by GCS Medical, <http://www.gcs-medical.com/products>.

* cited by examiner

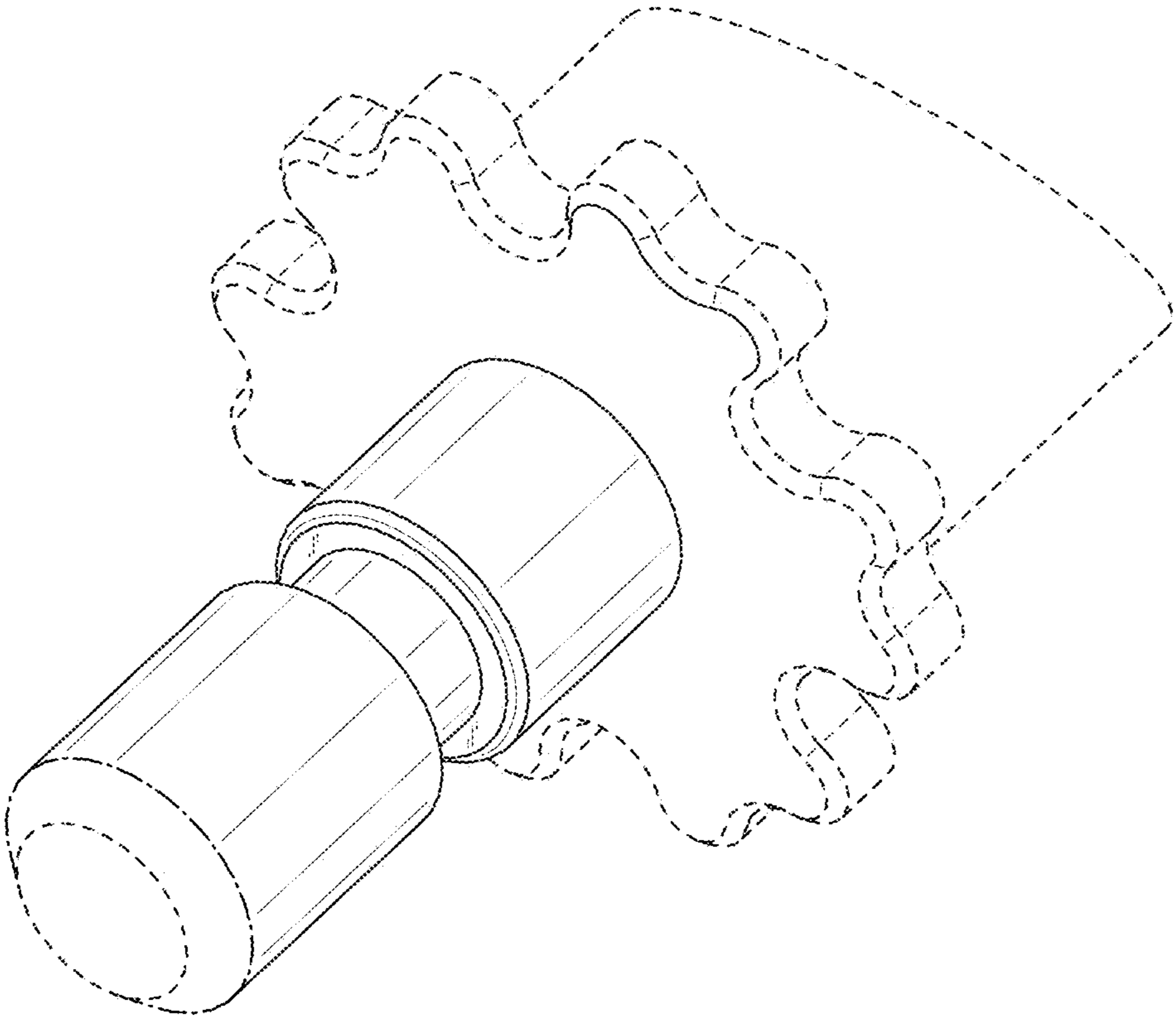


FIG. 1

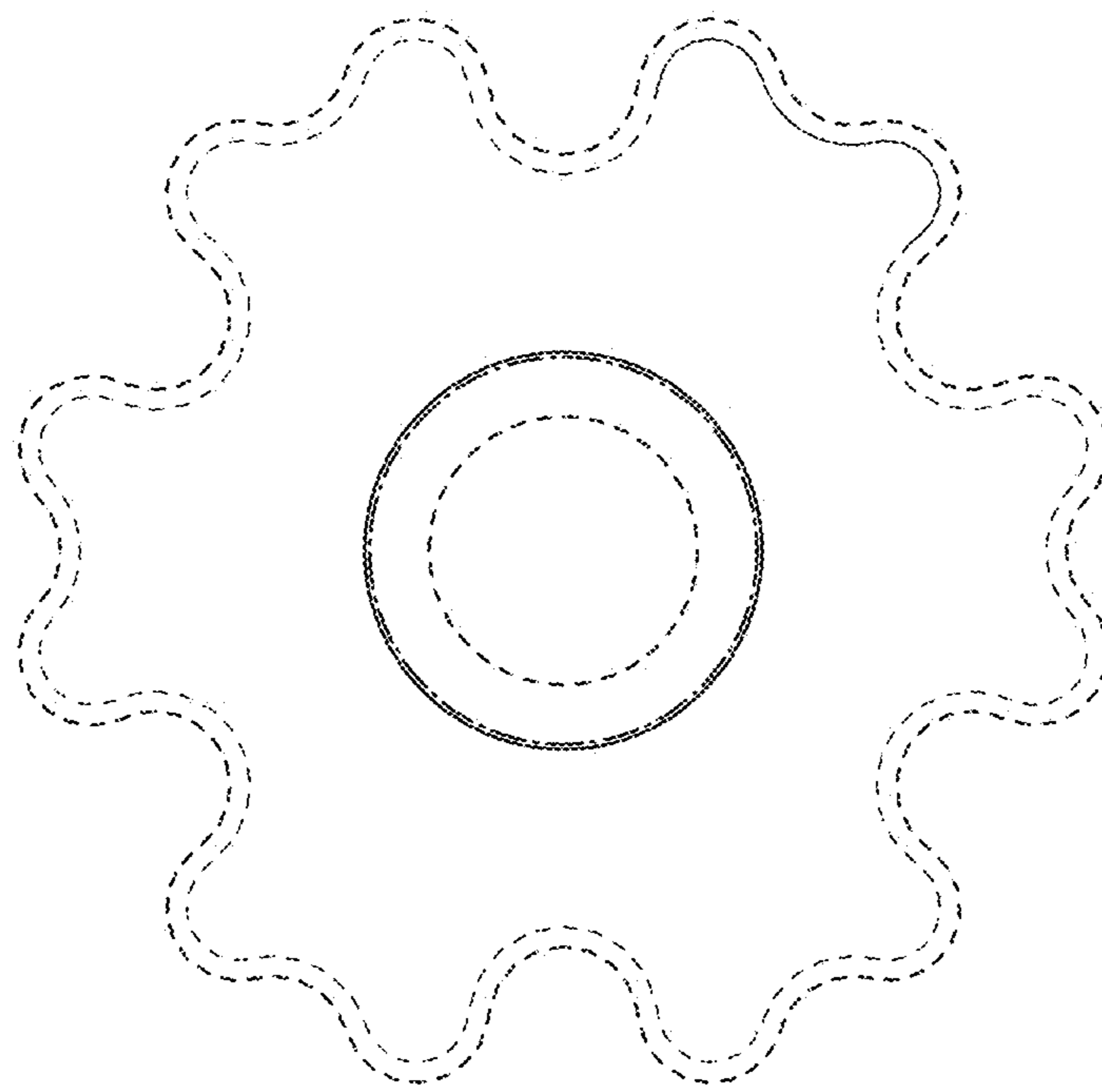


FIG. 2

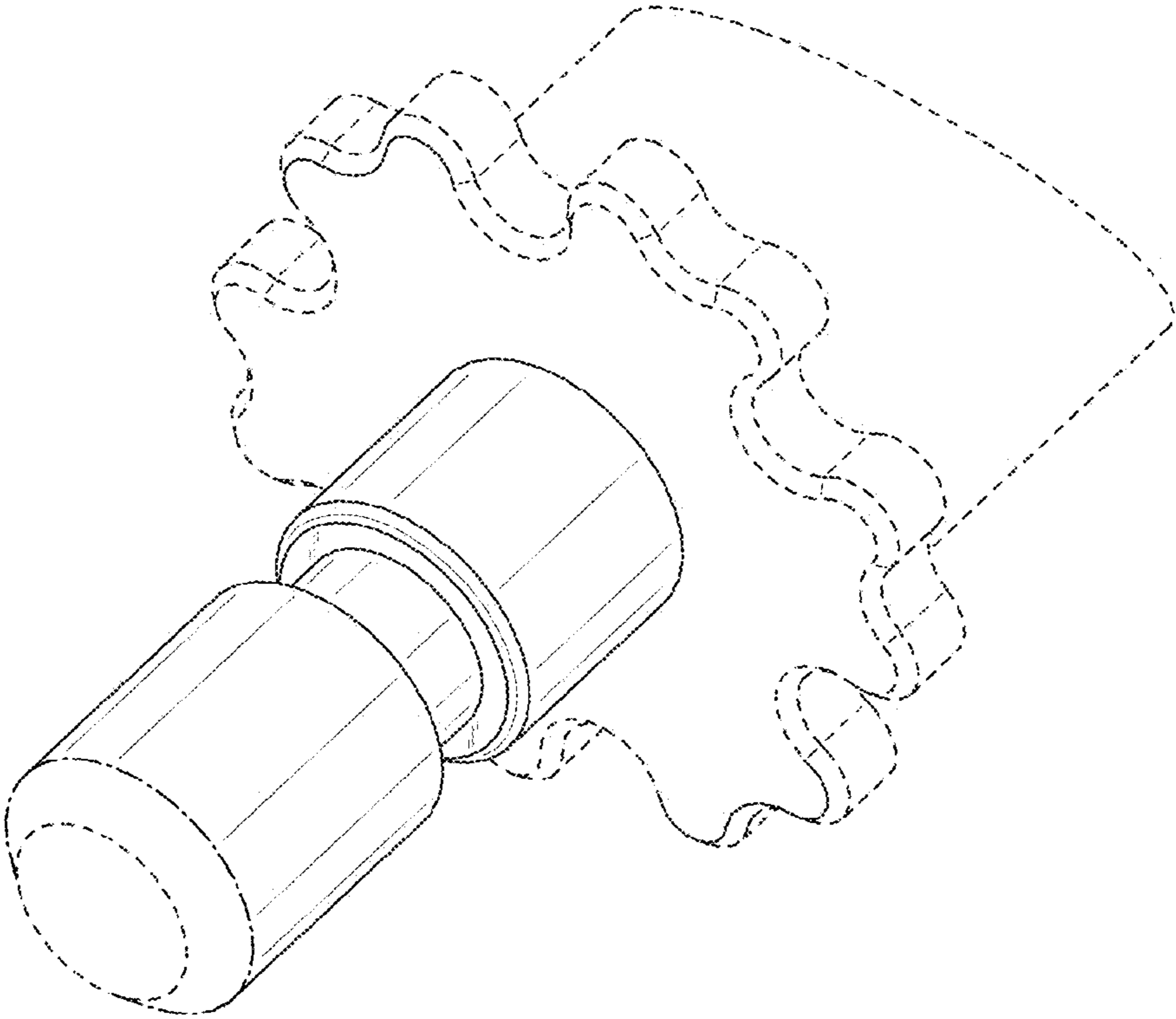


FIG. 3

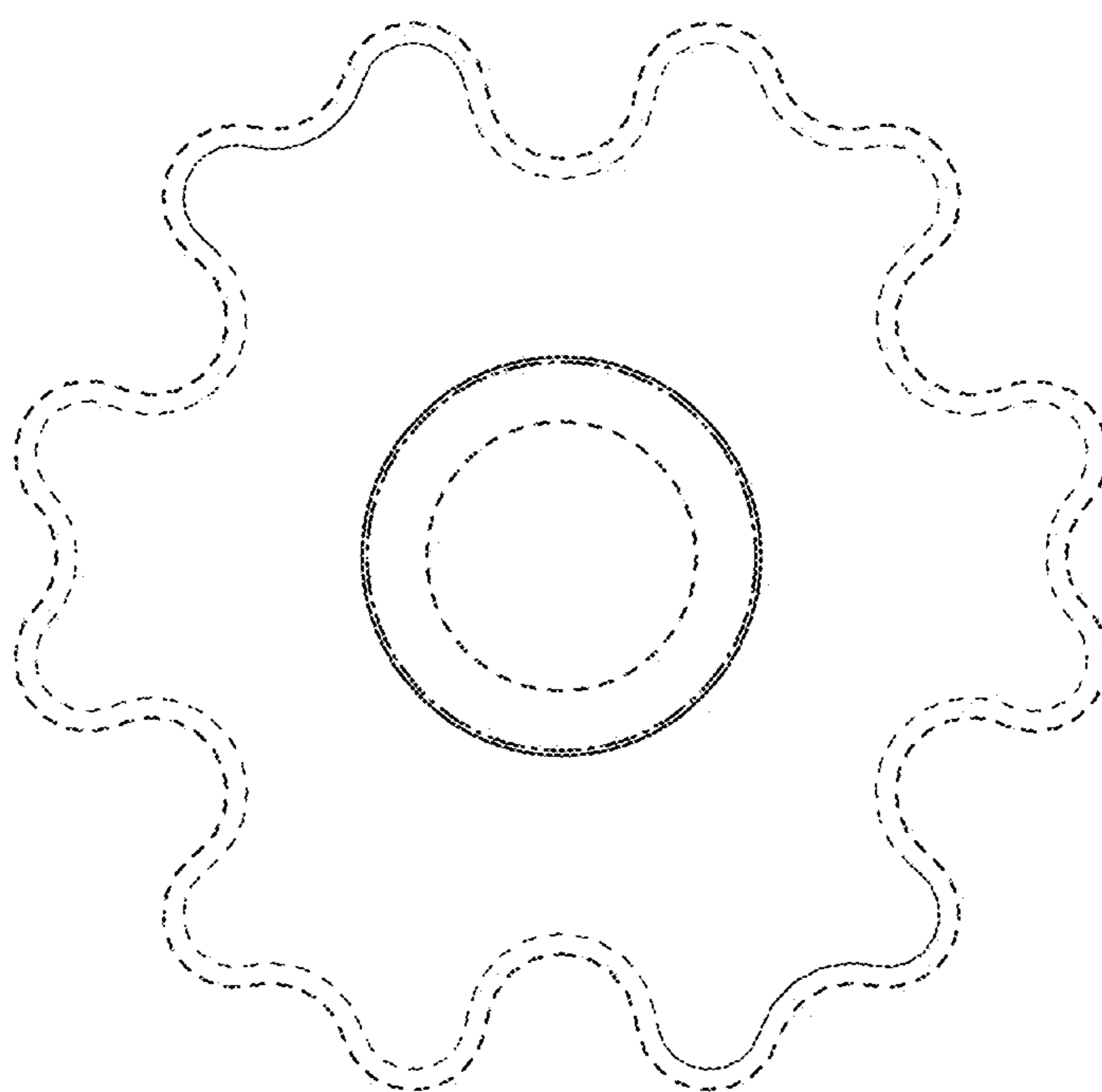


FIG. 4

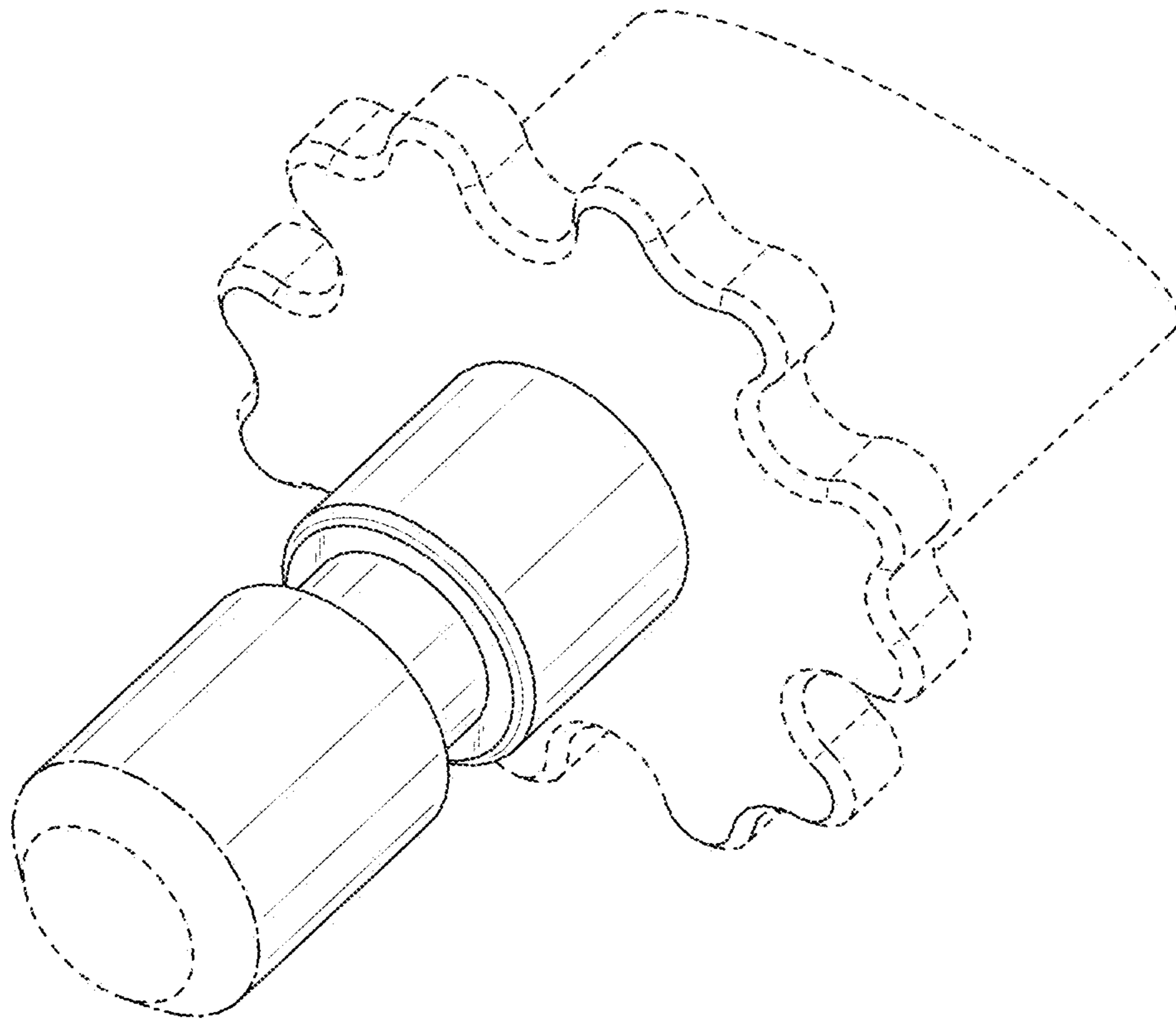


FIG. 5

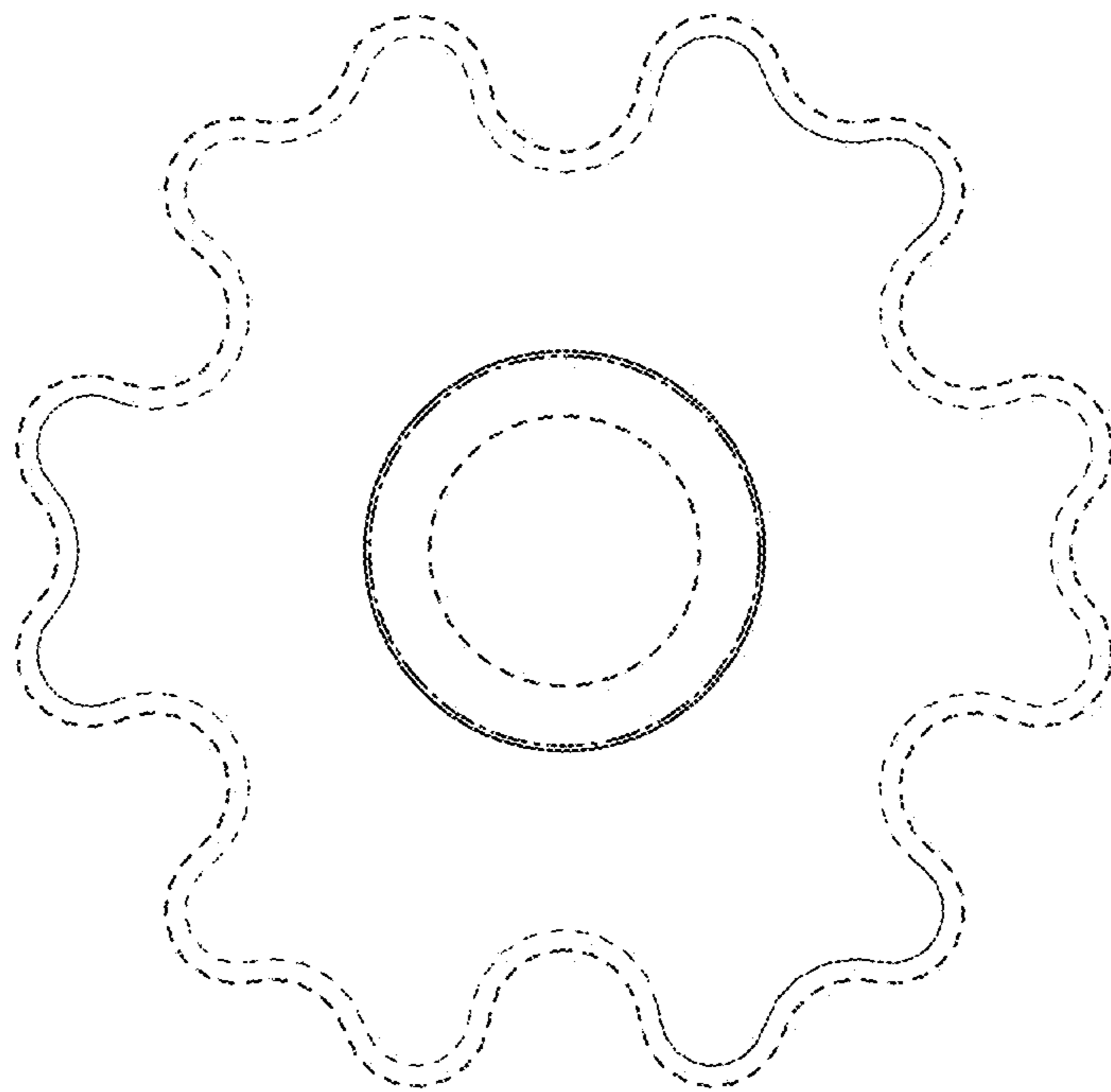


FIG. 6