



US00D749212S

(12) **United States Design Patent**
Chauvette

(10) **Patent No.:** **US D749,212 S**
(45) **Date of Patent:** **** Feb. 9, 2016**

- (54) **CONNECTOR**
- (71) Applicant: **ConMed Corporation**, Utica, NY (US)
- (72) Inventor: **Guillaume Chauvette**, Victoriaville (CA)
- (73) Assignee: **Conmed Corporation**, Utica, NY (US)
- (**) Term: **14 Years**
- (21) Appl. No.: **29/522,556**
- (22) Filed: **Mar. 31, 2015**

2006/0235364 A1* 10/2006 O'Hare A61J 1/2096
604/411
2008/0132897 A1 6/2008 Livorsi et al.
2013/0331817 A1* 12/2013 Woehr A61M 5/3134
604/506

FOREIGN PATENT DOCUMENTS

WO 9849944 11/1998
WO 0175318 10/2001
WO 2008040537 4/2008
WO 2008132897 6/2008

(Continued)

OTHER PUBLICATIONS

Torx; <http://en.wikipedia.org/wiki/Torx>; Feb. 3, 2004.

(Continued)

Primary Examiner — David Muller

Assistant Examiner — Nathan Johnston

(74) *Attorney, Agent, or Firm* — Frederick J. M. Price

Related U.S. Application Data

- (62) Division of application No. 29/439,732, filed on Dec. 14, 2012, now Pat. No. Des. 739,527.
- (51) **LOC (10) Cl.** **24-01**
- (52) **U.S. Cl.**
USPC **D24/129**
- (58) **Field of Classification Search**
USPC D24/127–131, 112–114, 133, 186;
606/181, 185; 604/264, 272, 115, 232,
604/187, 158, 164.08, 192, 263, 163, 181,
604/184, 198, 227; 600/101, 139, 143;
128/200.24, 207.14, 207.15
See application file for complete search history.

(57) **CLAIM**

The ornamental design for a connector, as shown and described.

DESCRIPTION

FIG. 1 is a perspective view taken from a top, front, right side of a connector, according to a first embodiment of my new design;

FIG. 2 is a front elevation view thereof;

FIG. 3 is a perspective view taken from a top, front, right side of a connector, according to a second embodiment of my new design; and,

FIG. 4 is a front elevation view thereof.

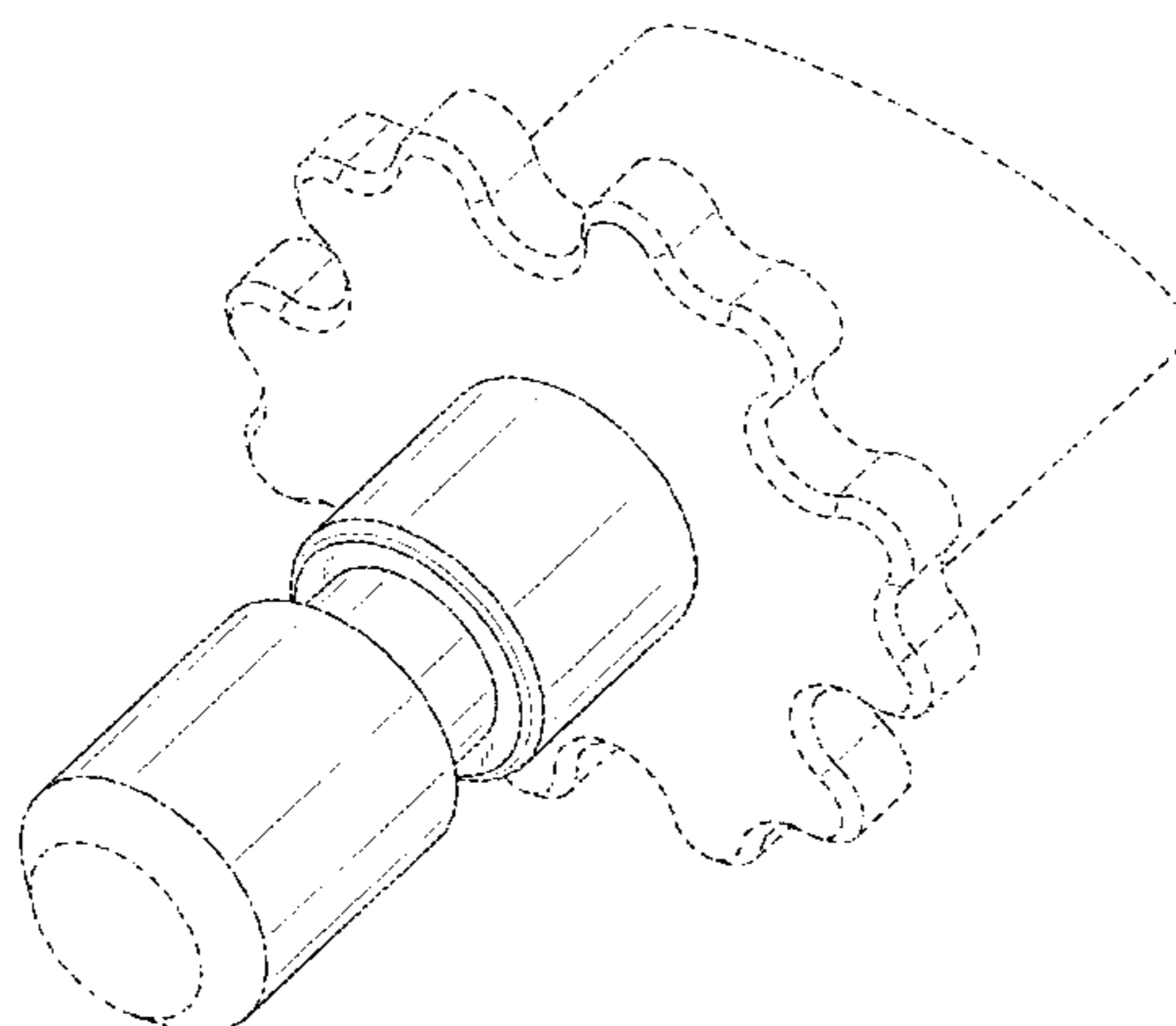
The dash dot lines immediately adjacent to the shaded areas in the views represent the boundaries of the claimed design. The dashed lines in the figures illustrate the portions of the design that form no part of the claimed design. None of the broken lines form any part of the claimed design.

1 Claim, 4 Drawing Sheets

(56) **References Cited**

U.S. PATENT DOCUMENTS

D257,063 S * 9/1980 Galindo D24/127
D298,355 S * 11/1988 Young D24/128
D303,710 S * 9/1989 Neill D23/262
5,336,206 A * 8/1994 Shichman A61B 17/3403
604/164.12
6,035,228 A 3/2000 Yanof et al.
D431,864 S * 10/2000 Jansen D24/129
D435,652 S * 12/2000 Nazarifar D23/262
D670,553 S * 11/2012 Mahaffey D8/330
D675,729 S * 2/2013 Wang D24/108
D714,935 S * 10/2014 Nishioka D24/130
D717,948 S * 11/2014 Strong D24/130



(56)

References Cited

FOREIGN PATENT DOCUMENTS

WO	2009023851	2/2009
WO	2011008828	1/2011

OTHER PUBLICATIONS

Torx Plus; http://www.pemnet.com/design_info/torx.html; 2000.
Torx Plus Security; http://www.wihatools.com/700seri/716_ipr_serie.htm; 2007.
Triple Square; http://en.wikipedia.org/wiki/Triple_square; Triple_square; Jun. 3, 2010.

Polydrive; <http://en.wikipedia.org/wiki/Polydrive#Polydrive>; Jun. 3, 2010.
Splinedrive; http://en.wikipedia.org/wiki/Spline_drive#Spline; Jun. 4, 2010.
Bristol; http://en.wikipedia.org/wiki/Bristol_wrench#Bristol; Jun. 4, 2010.
Pentalobular; http://en.wikipedia.org/wiki/Pentalobular_screw#Pentalobular; Jan. 20, 2011.
The AssistArm youtube video by GCS Medical Inc, Jun. 14, 2012, <https://www.youtube.com/watch?v=GpA9J90pw38>.
The AssistArm by GCS Medical, <http://www.gcs-medical.com/products>.

* cited by examiner

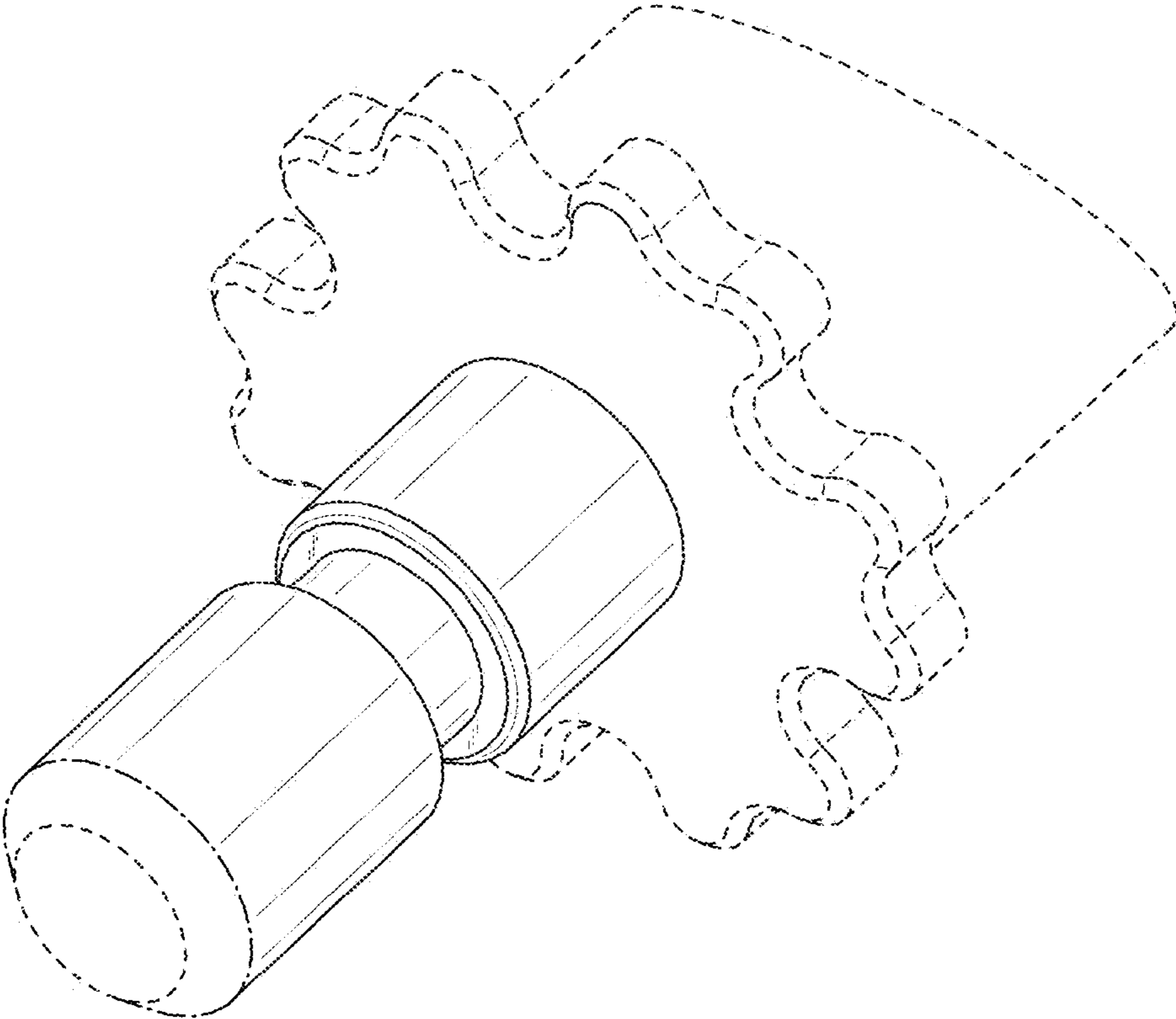


FIG. 1

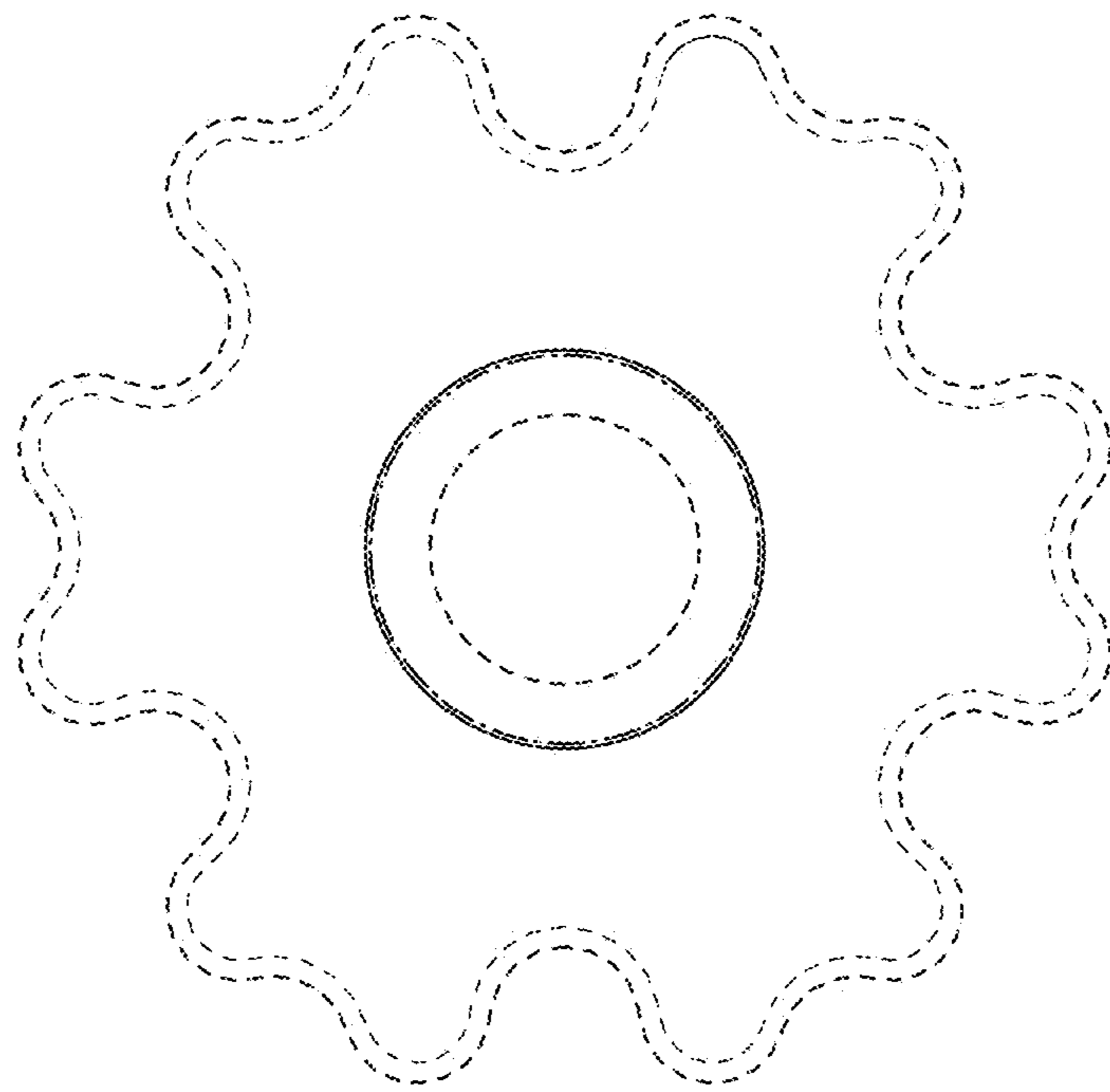


FIG. 2

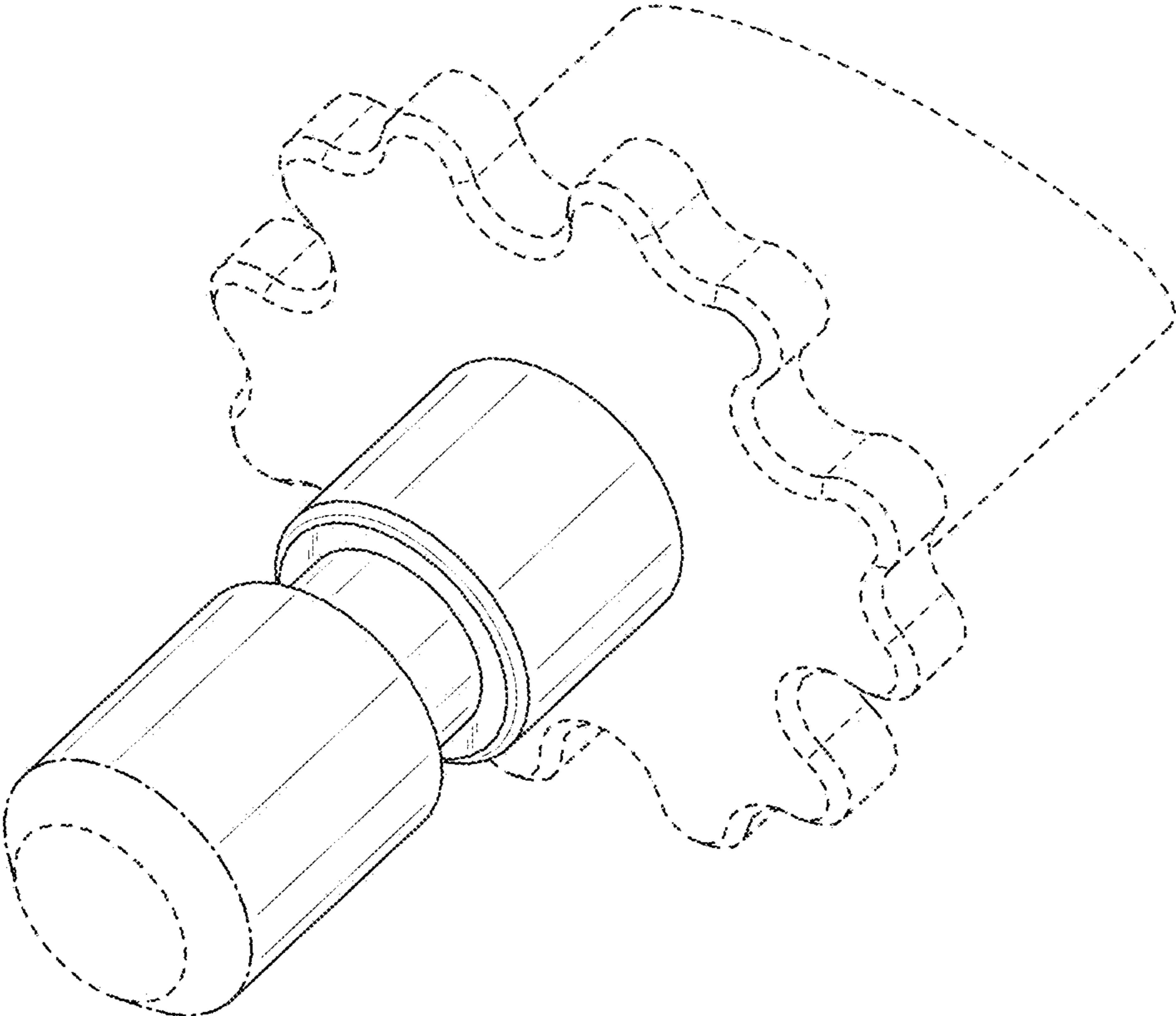


FIG. 3

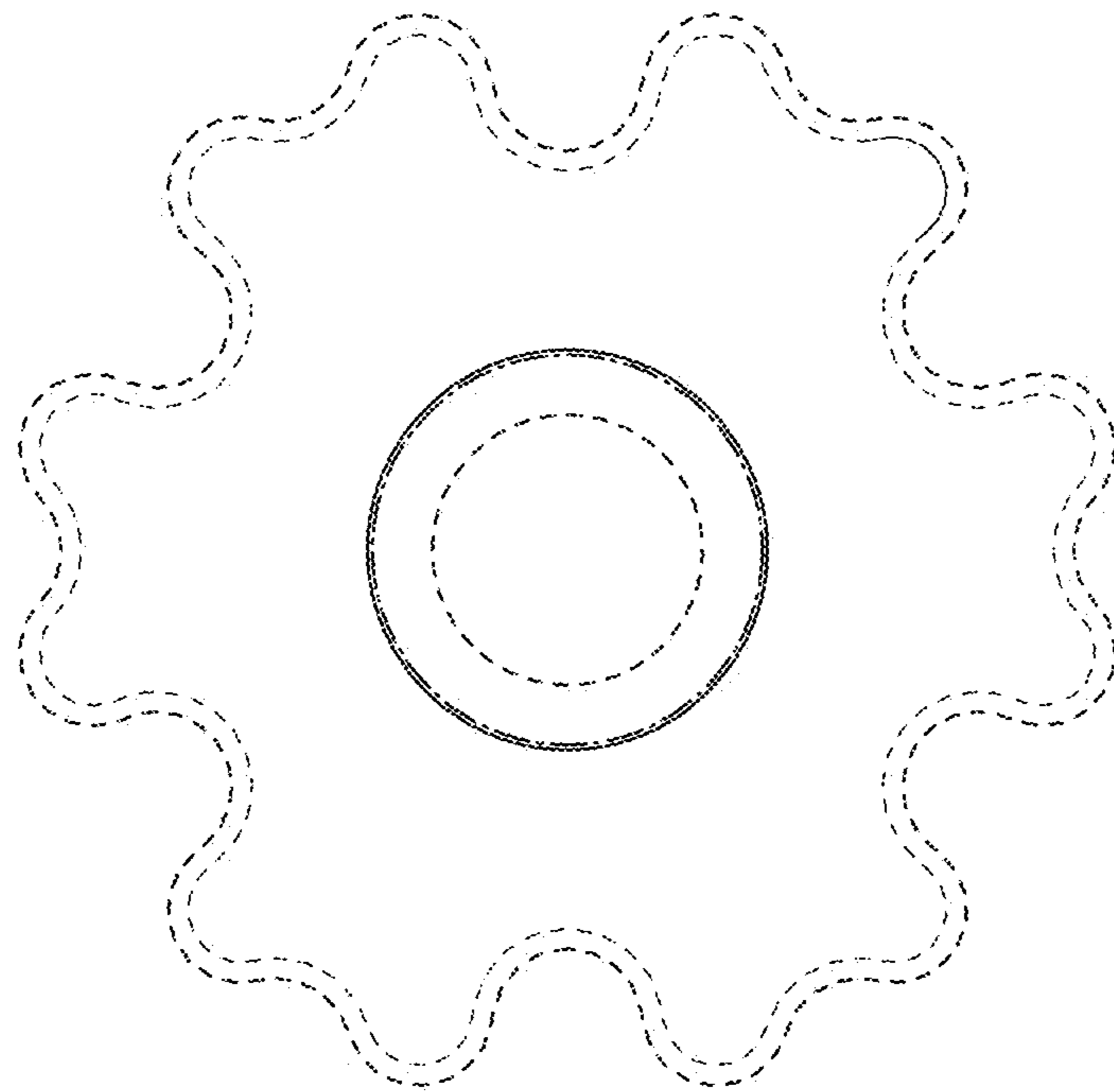


FIG. 4