



US00D749203S

(12) **United States Design Patent**  
**D'Amico et al.**

(10) **Patent No.:** **US D749,203 S**  
(45) **Date of Patent:** **\*\* Feb. 9, 2016**

- (54) **ODOR CONTROL CARTRIDGE**
- (71) Applicant: **Scent2Market Inc.**, Yonkers, NY (US)
- (72) Inventors: **Daniel M. D'Amico**, South Salem, NY (US); **John P. Laitala**, Appleton, WI (US)
- (73) Assignee: **Scent2Market, Inc.**, Yonkers, NY (US)
- (\*\*) Term: **15 Years**
- (21) Appl. No.: **29/540,899**
- (22) Filed: **Sep. 29, 2015**

|               |         |              |                       |
|---------------|---------|--------------|-----------------------|
| 4,111,666 A   | 9/1978  | Kalbow       |                       |
| 4,154,883 A   | 5/1979  | Elias        |                       |
| 4,866,806 A   | 9/1989  | Bedford      |                       |
| D343,484 S    | 1/1994  | Moran et al. |                       |
| 5,312,197 A   | 5/1994  | Abramson     |                       |
| 5,522,008 A   | 5/1996  | Bernard      |                       |
| 5,822,826 A * | 10/1998 | Parker       | B44D 3/00<br>15/210.5 |
| D417,324 S    | 11/1999 | Farls        |                       |
| D420,183 S *  | 2/2000  | Tintelnot    | D32/40                |
| D421,166 S *  | 2/2000  | Tintelnot    | D32/40                |
| D421,514 S *  | 3/2000  | Camp, Jr.    | D32/40                |
| D435,949 S *  | 1/2001  | Denney       | D32/40                |
| D436,702 S *  | 1/2001  | Denney       | D32/40                |
| D439,386 S *  | 3/2001  | Denney       | D32/40                |
| D446,367 S *  | 8/2001  | Denney       | D32/40                |
| D446,616 S *  | 8/2001  | Denney       | D32/40                |

(Continued)

**Related U.S. Application Data**

- (62) Division of application No. 29/507,842, filed on Oct. 31, 2014, now Pat. No. Des. 742,497.
- (51) **LOC (10) Cl.** ..... **28-99**
- (52) **U.S. Cl.**  
USPC ..... **D23/366**
- (58) **Field of Classification Search**  
USPC ..... D23/355-369; D28/5, 6; 261/DIG. 17, 261/DIG. 42, DIG. 65, DIG. 88, DIG. 89; 392/386, 390, 394, 395, 392; 239/34, 239/44, 53, 55, 56, 326; D26/22; D11/131.1; D7/509; D32/40  
CPC ..... A61L 9/00; A61L 9/02; A61L 9/03; A61L 9/032; A61L 9/035; A61L 9/037; A61L 9/04; A61L 9/12; A61L 9/22  
See application file for complete search history.

(56) **References Cited**

U.S. PATENT DOCUMENTS

|             |         |                    |
|-------------|---------|--------------------|
| 3,080,687 A | 3/1963  | Gross              |
| 3,220,040 A | 11/1965 | Knaebe             |
| 3,317,944 A | 5/1967  | Napier, Sr. et al. |
| 3,611,468 A | 10/1971 | Michael            |
| 3,707,012 A | 12/1972 | Lane               |

*Primary Examiner* — Sandra Snapp

(74) *Attorney, Agent, or Firm* — Sutherland Asbill & Brennan LLP

(57) **CLAIM**

The ornamental design for an odor control cartridge, as shown and described.

**DESCRIPTION**

FIG. 1 is an isometric view showing a first embodiment of an odor control cartridge design;

FIG. 2 is a top plan view of the odor control cartridge of FIG. 1;

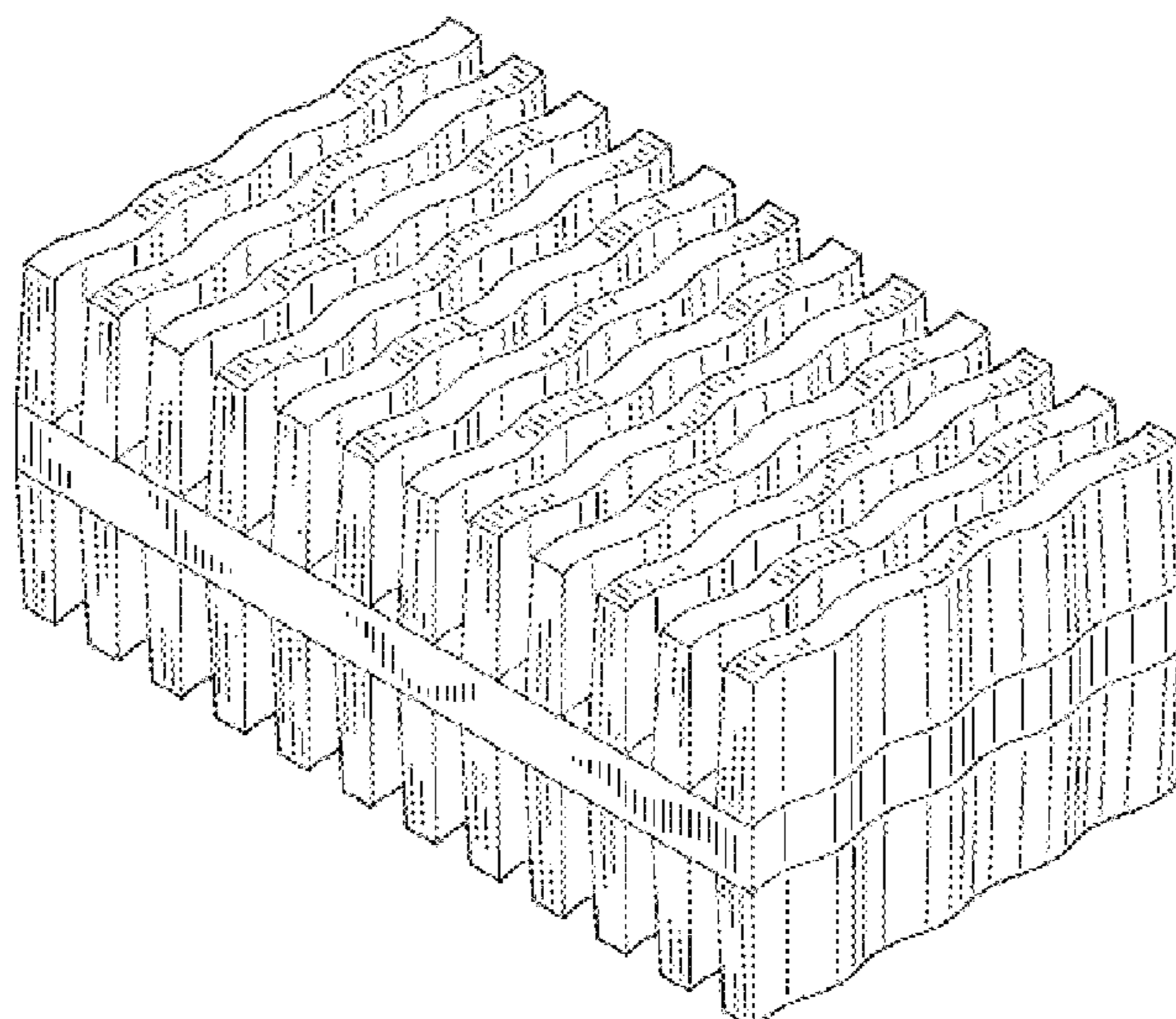
FIG. 3 is a front elevation view of the odor control cartridge of FIG. 1;

FIG. 4 is a right side elevation view of the odor control cartridge of FIG. 1; and,

FIG. 5 is a top plan view of a second embodiment of an odor control cartridge design, wherein an isometric view, an elevated front view, and an elevated right side view are represented in FIGS. 1, 3, and 4, respectively.

The broken lines are for illustrative purposes only and form no part of the claimed design.

**1 Claim, 3 Drawing Sheets**



(56)

**References Cited**

U.S. PATENT DOCUMENTS

D447,297 S 8/2001 Denney  
D447,299 S \* 8/2001 Denney ..... D32/40  
D447,300 S 8/2001 Denney  
D506,587 S 6/2005 Armaly, Jr.

7,210,188 B1 5/2007 Kirby  
D578,718 S 10/2008 Bettanin  
7,454,813 B2 11/2008 Kaltenecker  
7,543,352 B2 6/2009 Schaaf  
D667,187 S 9/2012 Sowinski et al.  
D742,497 S \* 11/2015 D'Amico ..... D23/366  
2003/0094186 A1 5/2003 Klein

\* cited by examiner

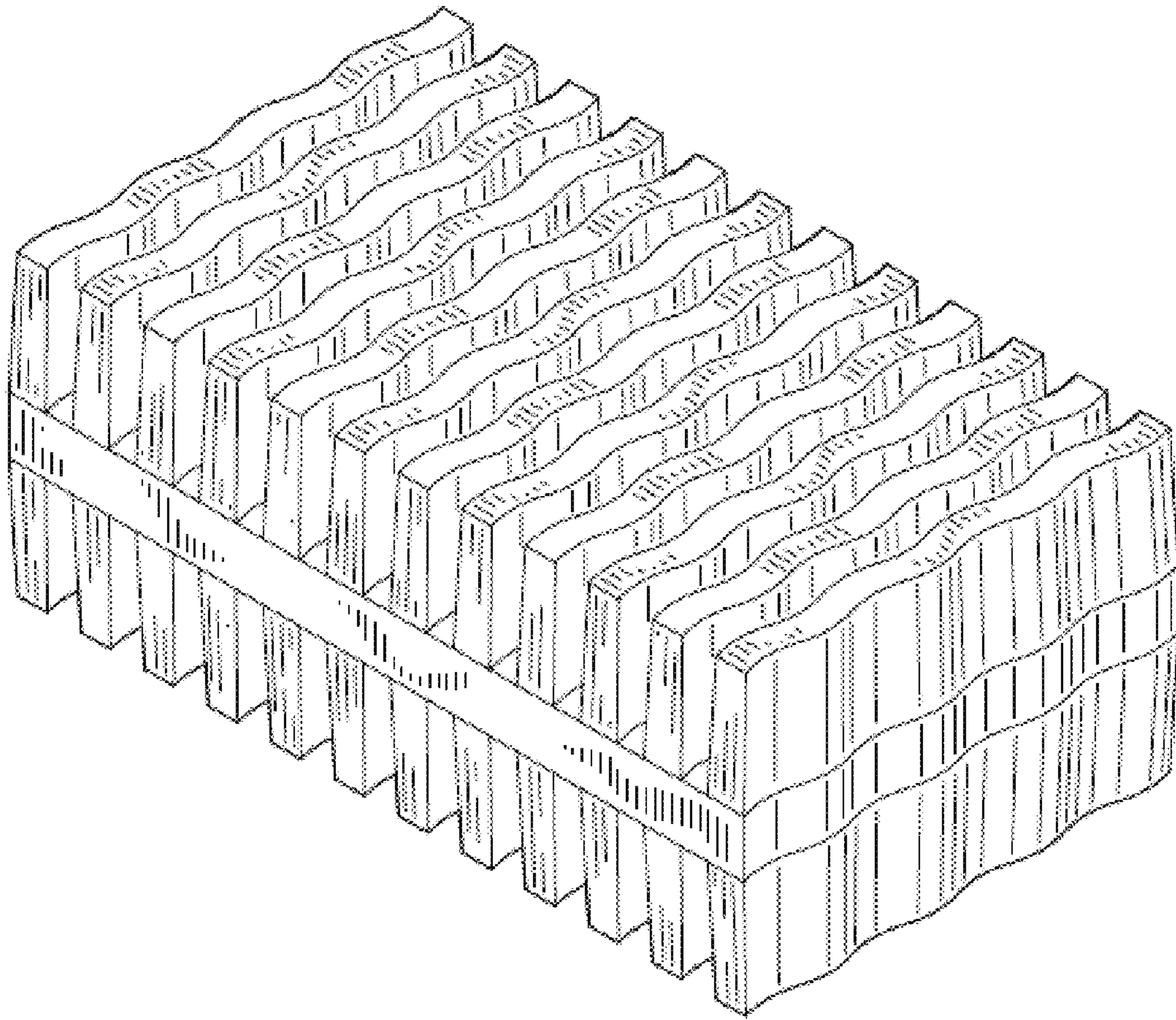


FIG. 1

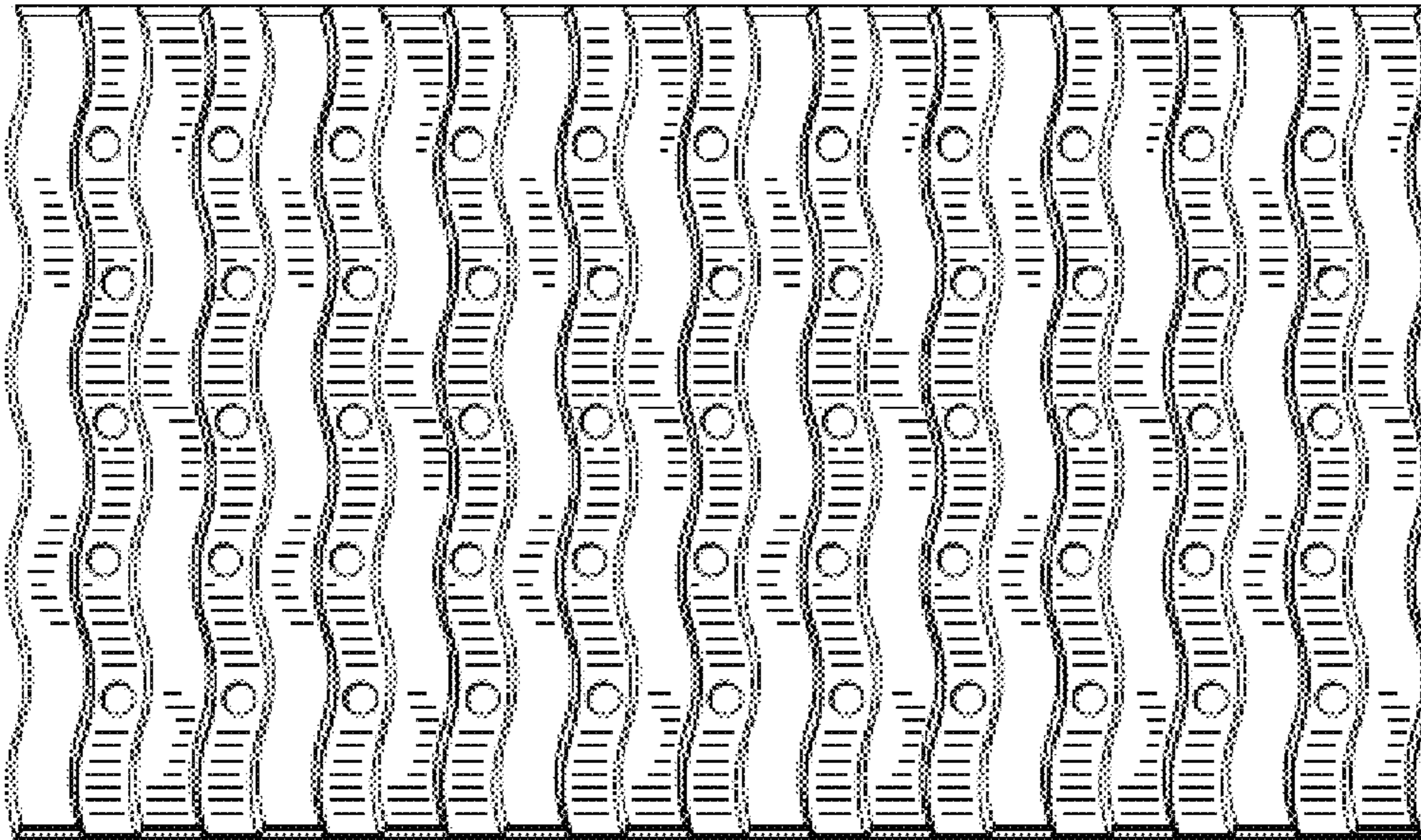


FIG. 2

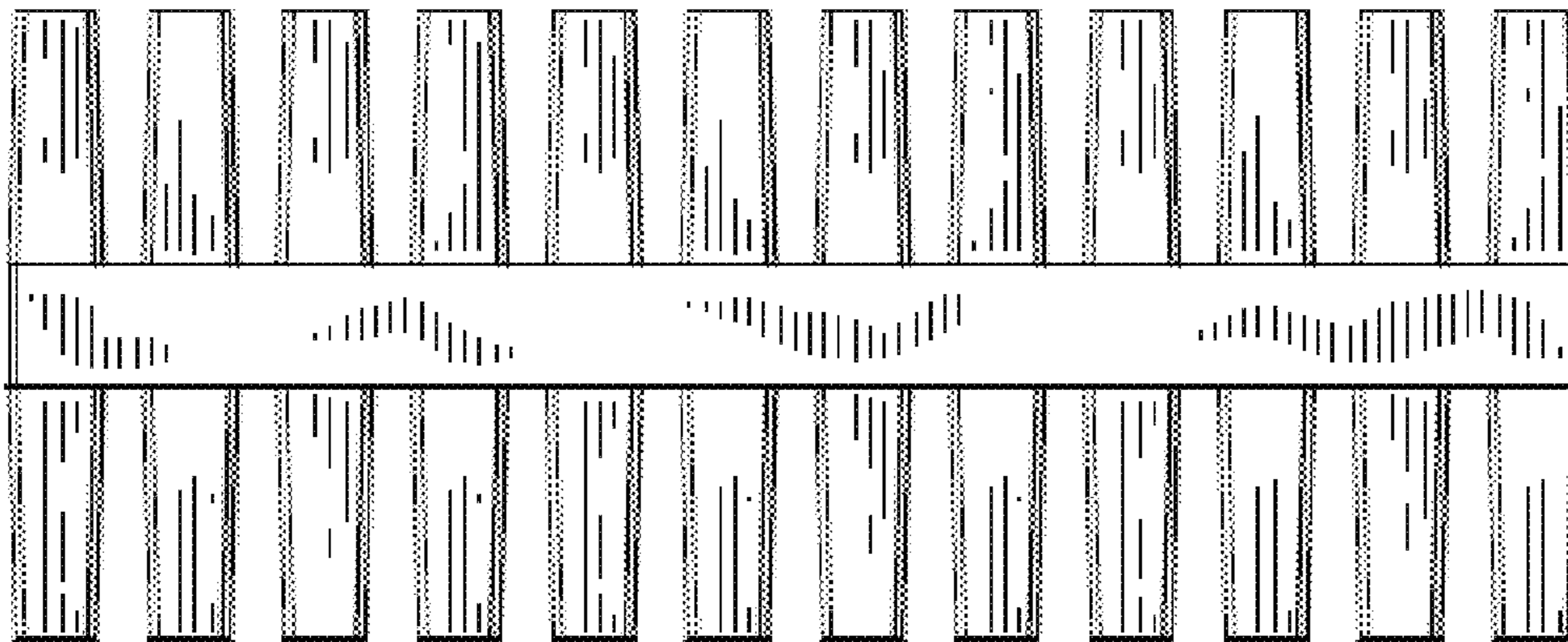
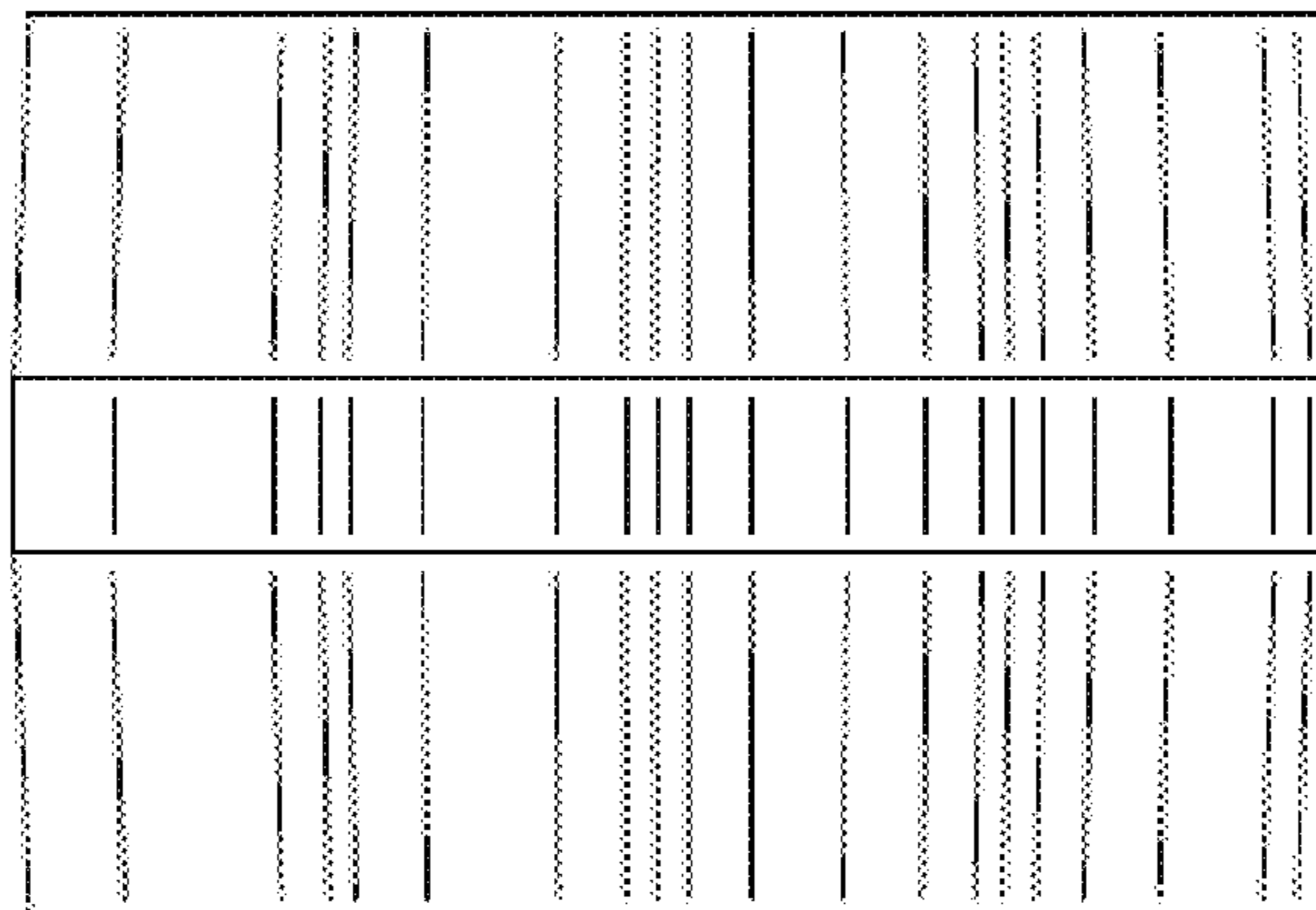


FIG. 3

FIG. 4



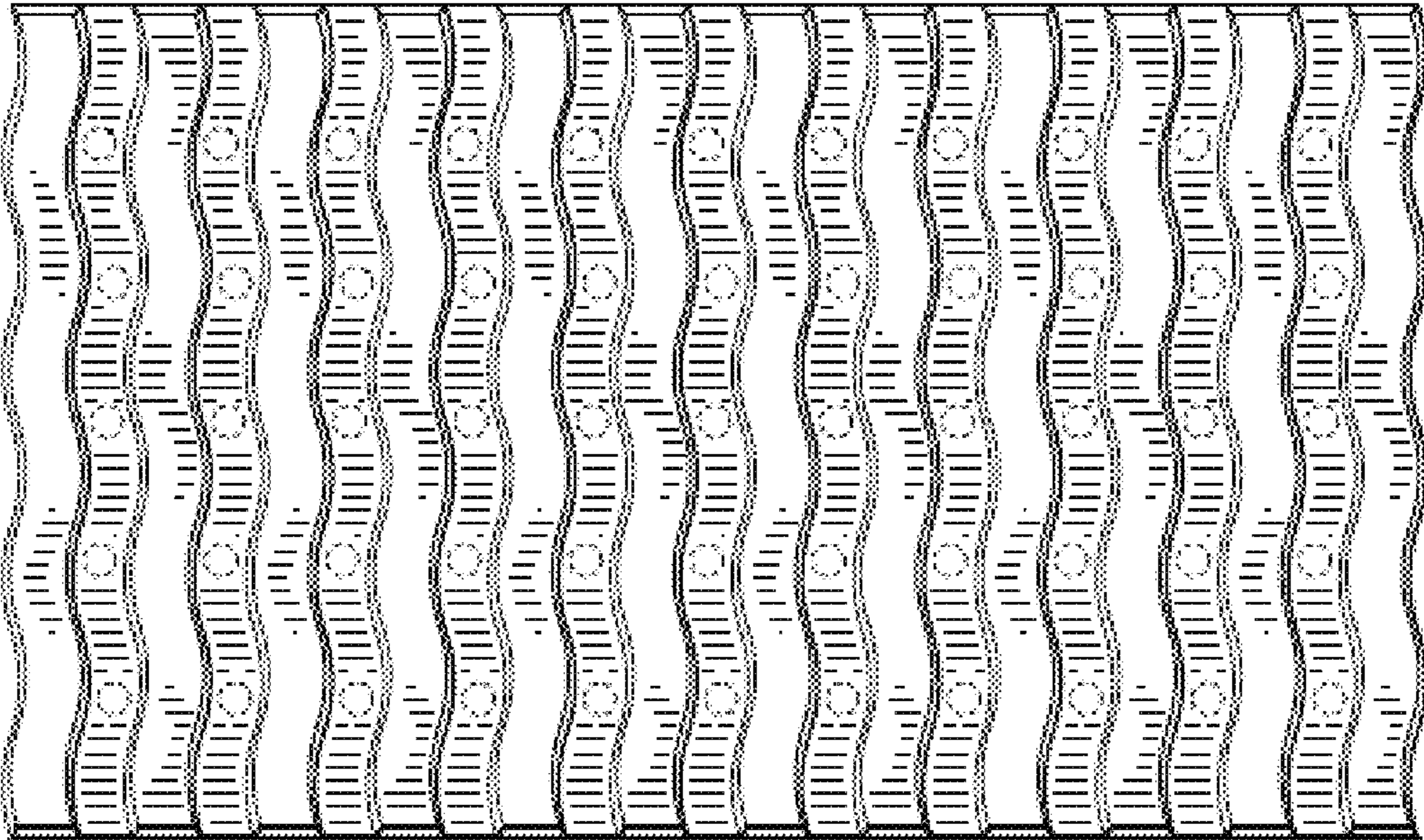


FIG. 5