



US00D749197S

(12) **United States Design Patent**
von Lepel et al.

(10) **Patent No.:** **US D749,197 S**

(45) **Date of Patent:** **** Feb. 9, 2016**

(54) **VENT CAP**

(71) Applicant: **W. L. Gore & Associates GmbH**,
Putzbrunn (DE)

(72) Inventors: **Henning von Lepel**, Bad Tölz (DE);
Benjamin Drieske, Unterhaching (DE);
Günter Treffert, Grafing (DE); **Mike**
Seybei, München (DE)

(73) Assignee: **W. L. Gore & Associates GmbH** (DE)

(**) Term: **14 Years**

(21) Appl. No.: **29/482,919**

(22) Filed: **Feb. 24, 2014**

(51) **LOC (10) Cl.** **23-01**

(52) **U.S. Cl.**
USPC **D23/260**

(58) **Field of Classification Search**
USPC D23/259, 260, 261, 262, 263, 264, 265;
138/82, 89.3, 90; D9/443, 452;
D12/197; 220/230.14, 304, 368;
429/54, 82, 86, 89
See application file for complete search history.

(56) **References Cited**

U.S. PATENT DOCUMENTS

2,835,720 A * 5/1958 Buskirk 429/89
3,083,255 A * 3/1963 Slautterback 429/89

(Continued)

FOREIGN PATENT DOCUMENTS

DE 10 2007 050 921 A1 5/2009
EP 0 377 067 A1 1/1989

(Continued)

OTHER PUBLICATIONS

Protective Vents, Products, Gore.com, Searched Aug. 28, 2014,
http://www.gore.com/en_xx/products/venting/protective/protective_vents_product_comparison.html.*

(Continued)

Primary Examiner — John Windmuller

Assistant Examiner — Steven Czyz

(74) *Attorney, Agent, or Firm* — Carol A. Lewis White

(57) **CLAIM**

What is claimed is a design of a vent cap, as shown and described.

DESCRIPTION

FIG. 1 is an isometric view of a first embodiment of a vent cap design of the present invention;

FIG. 2 is a side perspective view of the vent cap design of FIG. 1;

FIG. 3 is a further side perspective view of the vent cap design of FIG. 1;

FIG. 4 is a further side perspective view of the vent cap design of FIG. 1;

FIG. 5 is a further side perspective view of the vent cap design of FIG. 1;

FIG. 6 is a top view of the vent cap design of FIG. 1;

FIG. 7 is a bottom view of the vent cap design of FIG. 1;

FIG. 8 is an isometric view of a second embodiment of a vent cap design of the present invention;

FIG. 9 is a side perspective view of the vent cap design of FIG. 8;

FIG. 10 is a further side perspective view of the vent cap design of FIG. 8;

FIG. 11 is a further side perspective view of the vent cap design of FIG. 8;

FIG. 12 is a further side perspective view of the vent cap design of FIG. 8;

FIG. 13 is a top view of the vent cap design of FIG. 8;

FIG. 14 is a bottom view of the vent cap design of FIG. 8;

FIG. 15 is an isometric view of a third embodiment of a vent cap design of the present invention;

FIG. 16 is a side perspective view of the vent cap design of FIG. 15;

FIG. 17 is a further side perspective view of the vent cap design of FIG. 15;

FIG. 18 is a further side perspective view of the vent cap design of FIG. 15;

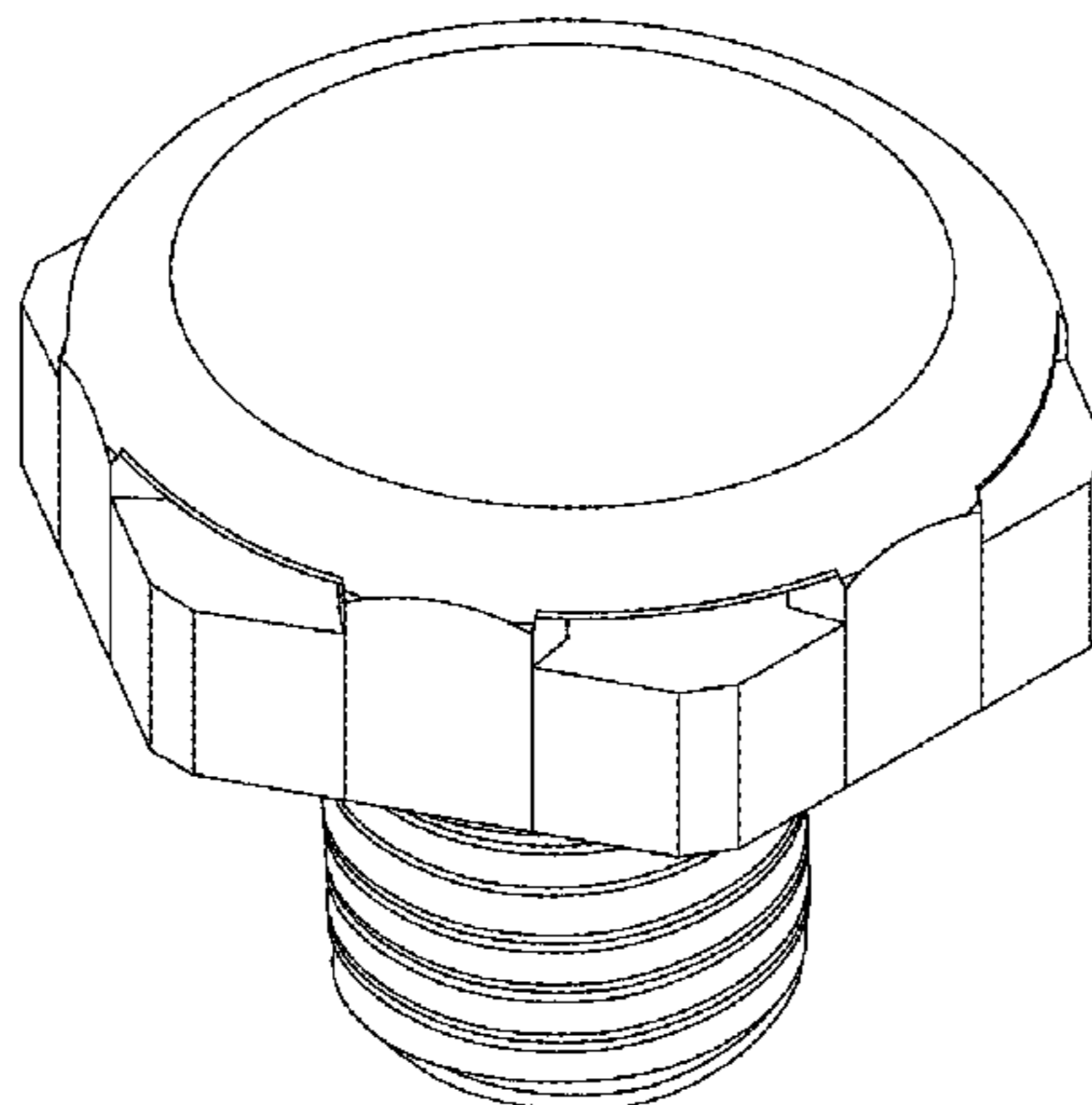
FIG. 19 is a further side perspective view of the vent cap design of FIG. 15;

FIG. 20 is a top view of the vent cap design of FIG. 15; and,

FIG. 21 is a bottom view of the vent cap design of FIG. 15.

Broken lines in the Figures form no part of the claimed design.

1 Claim, 21 Drawing Sheets



(56)

References Cited

U.S. PATENT DOCUMENTS

3,083,256 A * 3/1963 Slautterback 429/89
 3,108,911 A * 10/1963 Miller 429/89
 4,072,799 A * 2/1978 Leeson et al. 429/82
 4,165,816 A * 8/1979 Tupper 220/203.14
 4,337,875 A * 7/1982 Lyons 220/368
 4,416,391 A * 11/1983 Sarrazin 220/304
 5,108,853 A * 4/1992 Feres 429/86
 D363,767 S * 10/1995 Swaim D23/260
 D375,929 S * 11/1996 Lujack et al. D12/197
 D403,752 S * 1/1999 Rademaker D23/260
 D422,255 S * 4/2000 Gonzales D12/197
 6,062,263 A * 5/2000 Donovan et al. 138/89
 D431,512 S * 10/2000 Pink D12/197
 D567,728 S * 4/2008 Huston D12/197
 D614,267 S * 4/2010 Breda D23/261
 D688,945 S * 9/2013 Kim D9/452
 2004/0065376 A1 * 4/2004 Kristofferson et al. 138/89
 2010/0068431 A1 3/2010 Bansal et al.
 2010/0227543 A1 9/2010 Furuyama
 2011/0275305 A1 11/2011 Egersdoerfer et al.
 2014/0014662 A1 * 1/2014 Hensel 220/367.1
 2014/0141292 A1 * 5/2014 Lee et al. 429/54

FOREIGN PATENT DOCUMENTS

EP 1 939 523 A1 7/2008
 EP 1 964 658 A1 9/2008
 EP 1 270 207 B1 3/2010
 EP 1 955 901 B1 5/2010
 EP 2 236 918 A2 10/2010
 EP 1 363 069 B1 2/2011
 EP 2 292 473 A1 3/2011
 EP 2 441 625 A1 4/2012
 WO WO 2011/114640 A1 3/2011

OTHER PUBLICATIONS

Gore-Screw-In-Vents, News, Gore.com, Searched Aug. 27, 2014,
http://www.gore.com/en_xx/news/gore-screw-in-vents.html.
 Vent Cap, Fuel Transfer, Northerntool.com, Searched Aug. 27, 2014,
<http://answers.northerntool.com/answers/0394/product/109645/fill-rite-vent-cap-with-threaded-base-2in-npt-model-fitcb-questions-answers/questions.htm>.

* cited by examiner

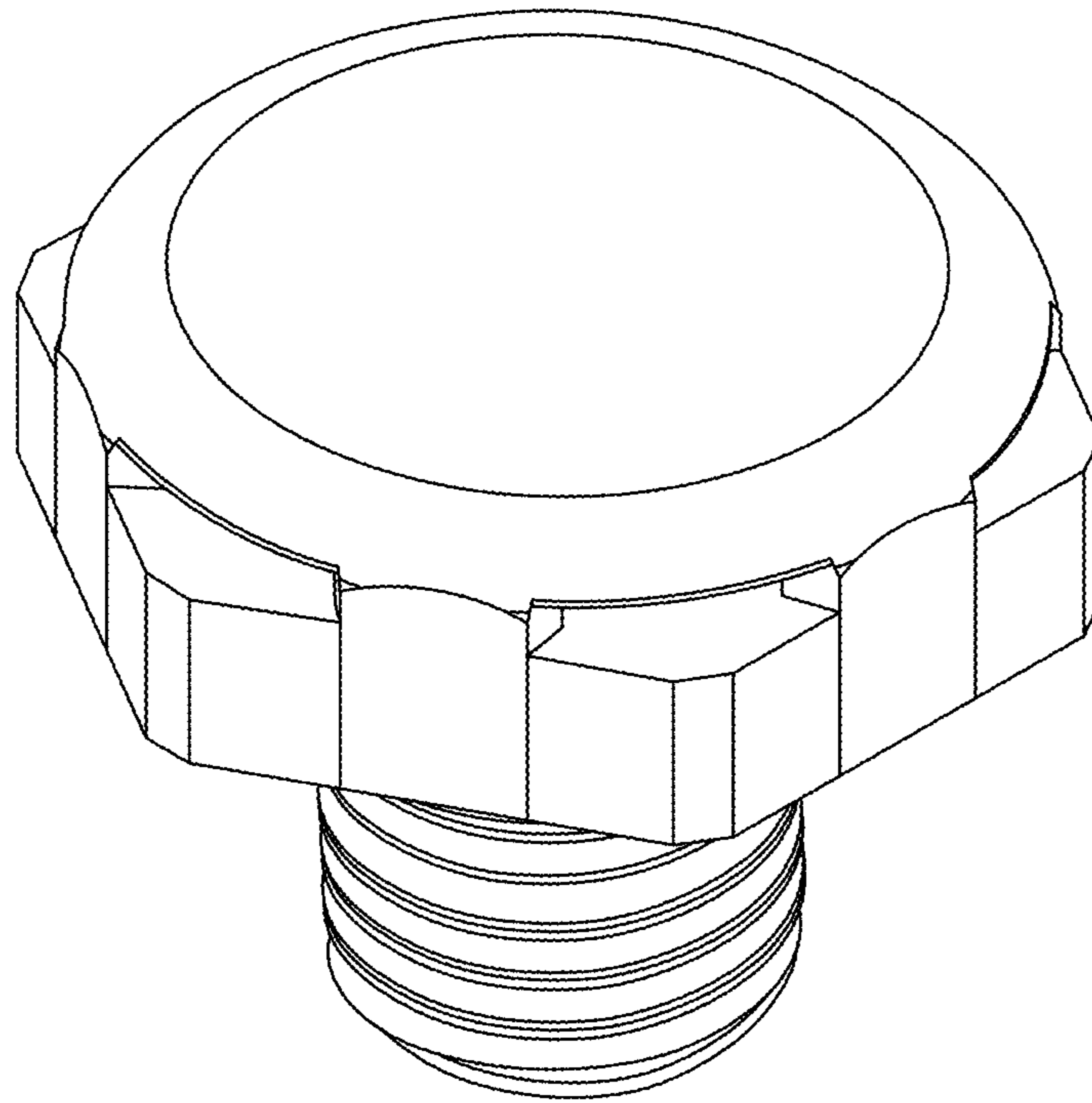


FIG. 1

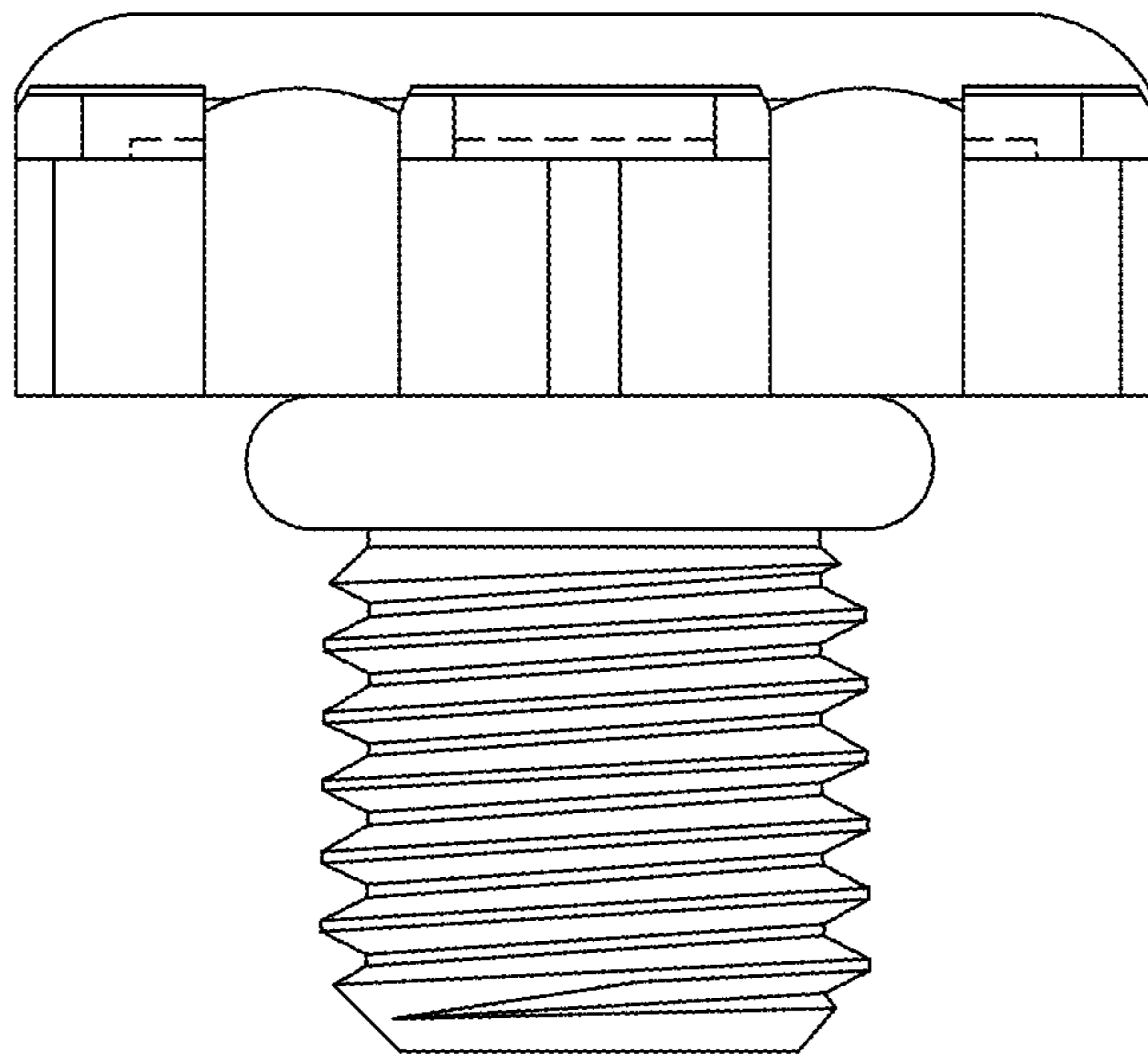


FIG. 2

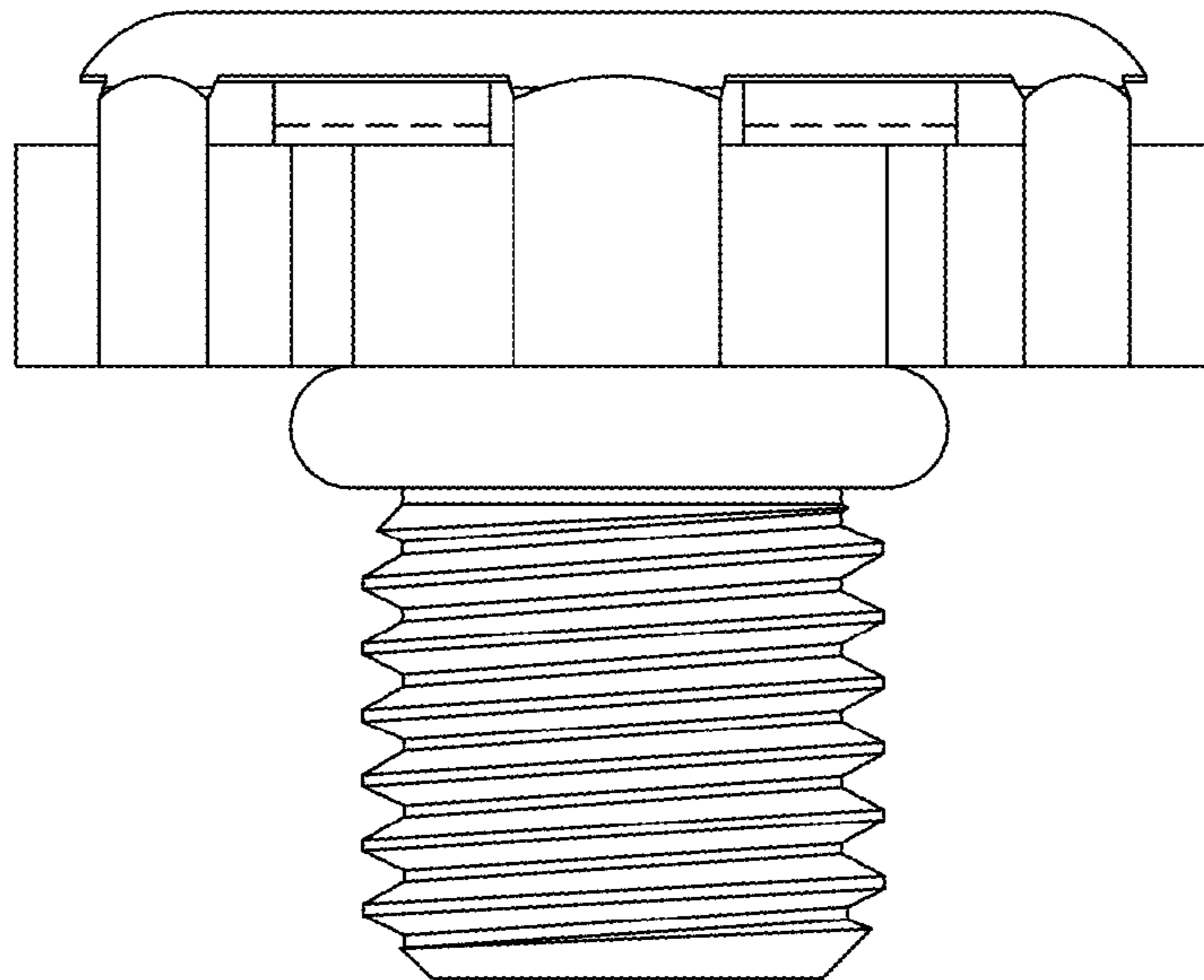


FIG. 3

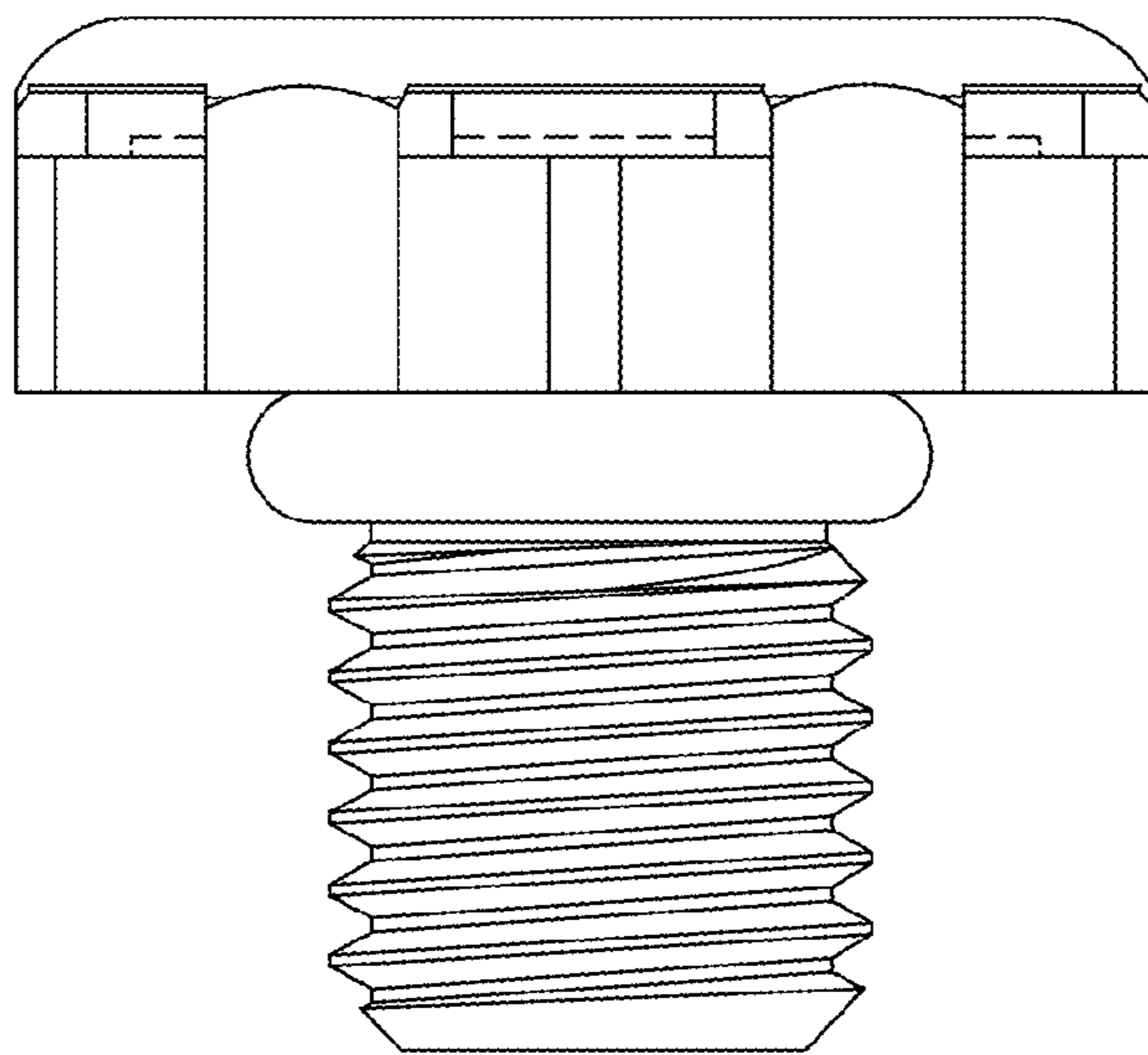


FIG. 4

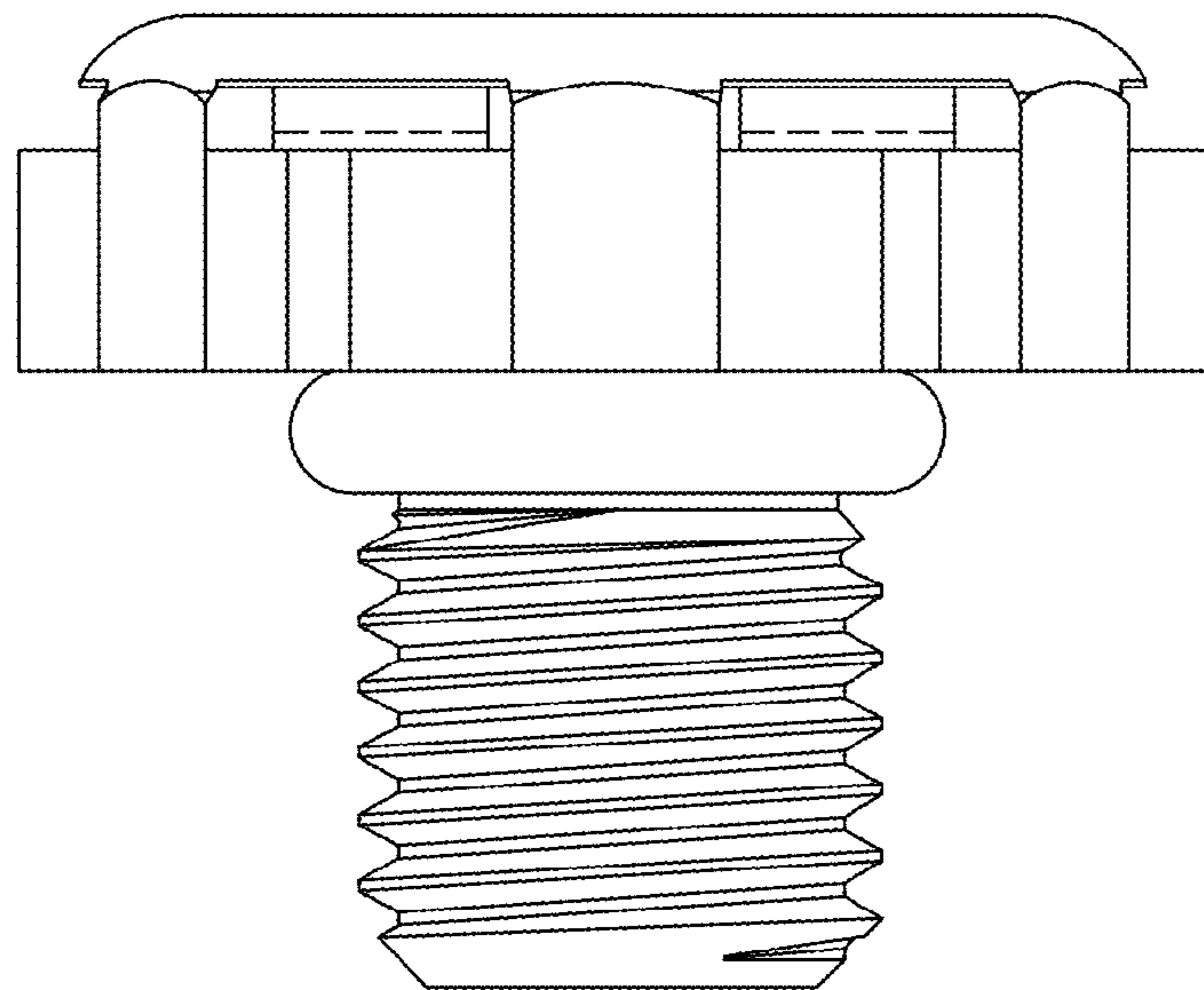


FIG. 5

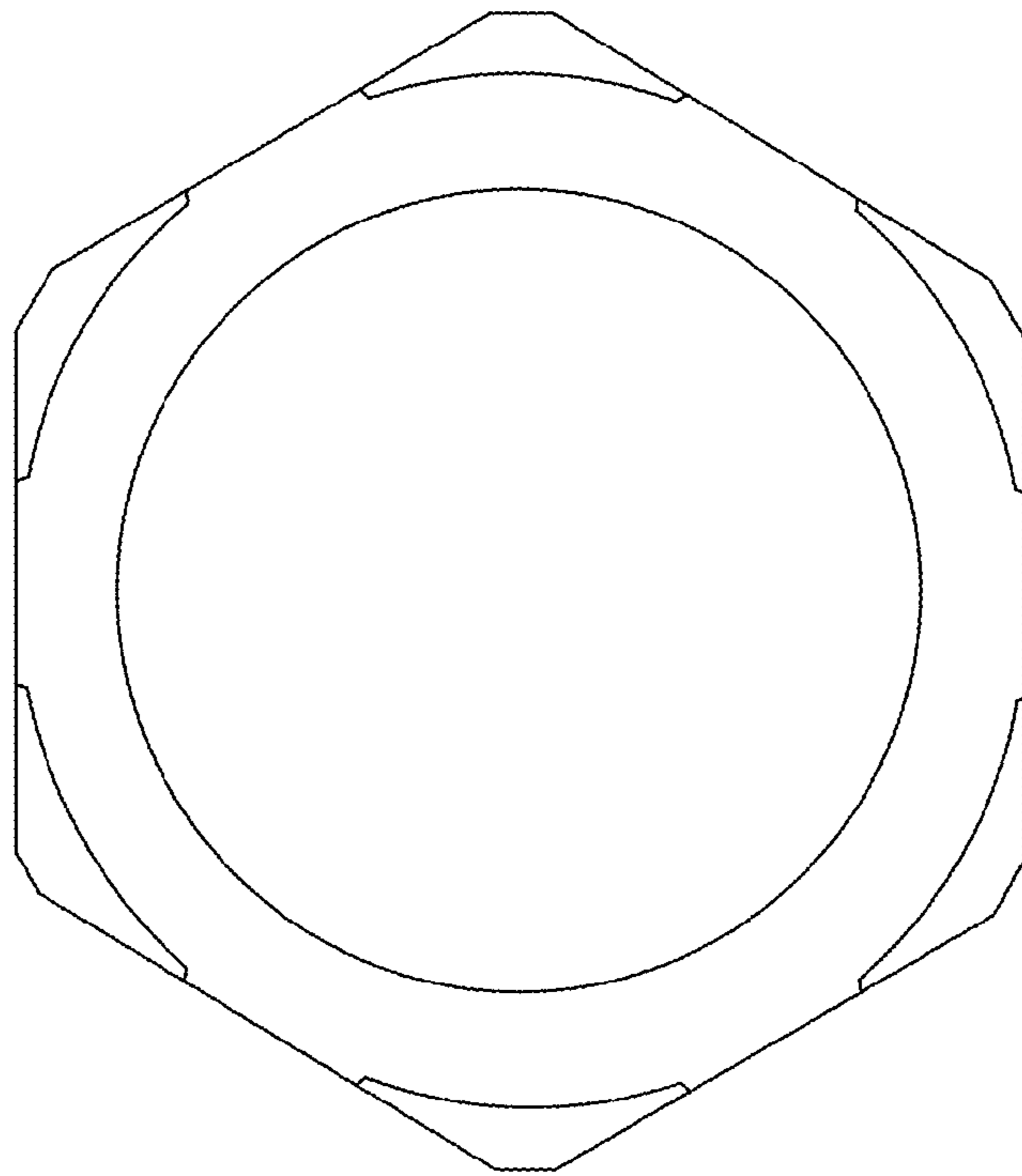


FIG. 6

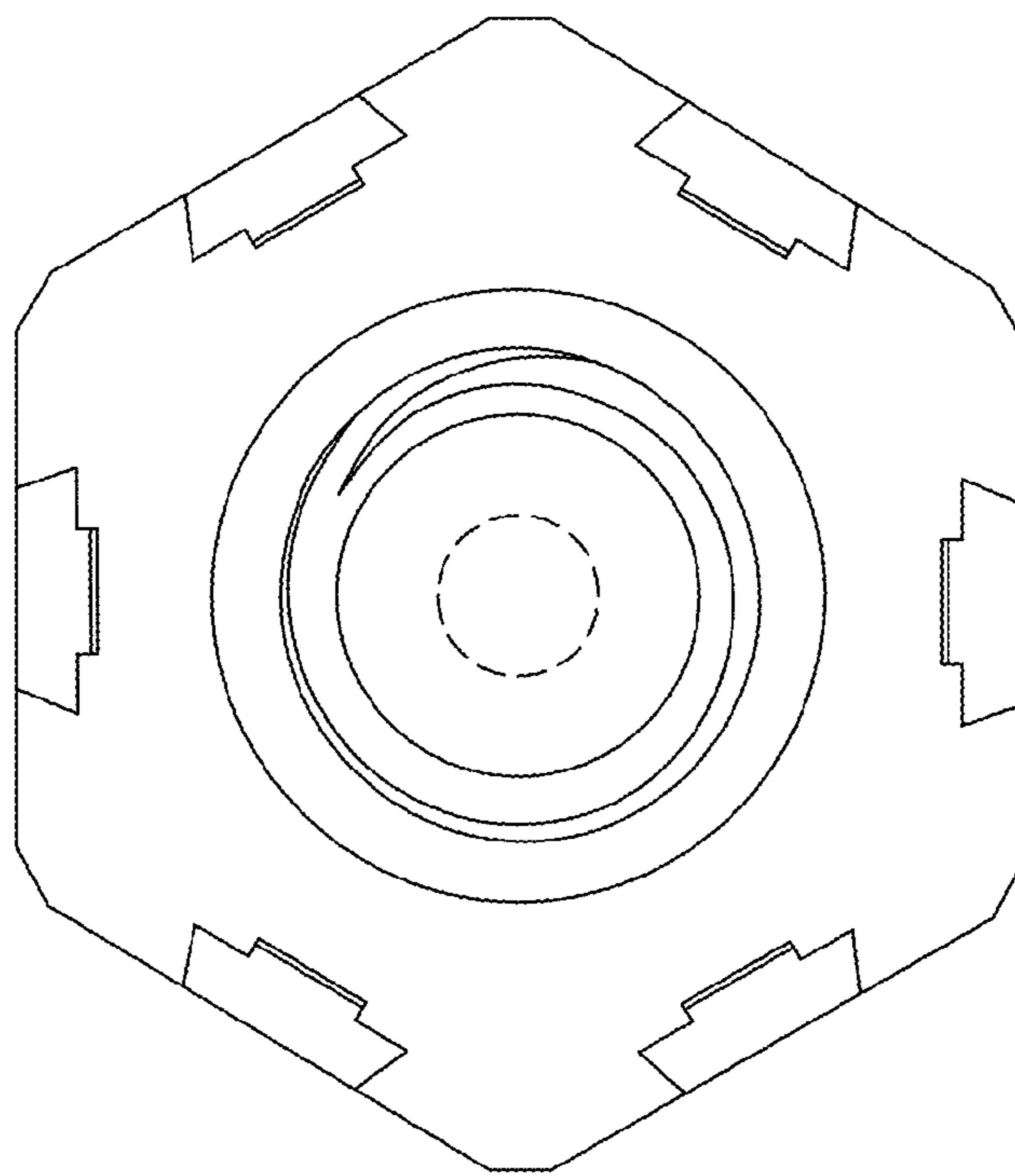


FIG. 7

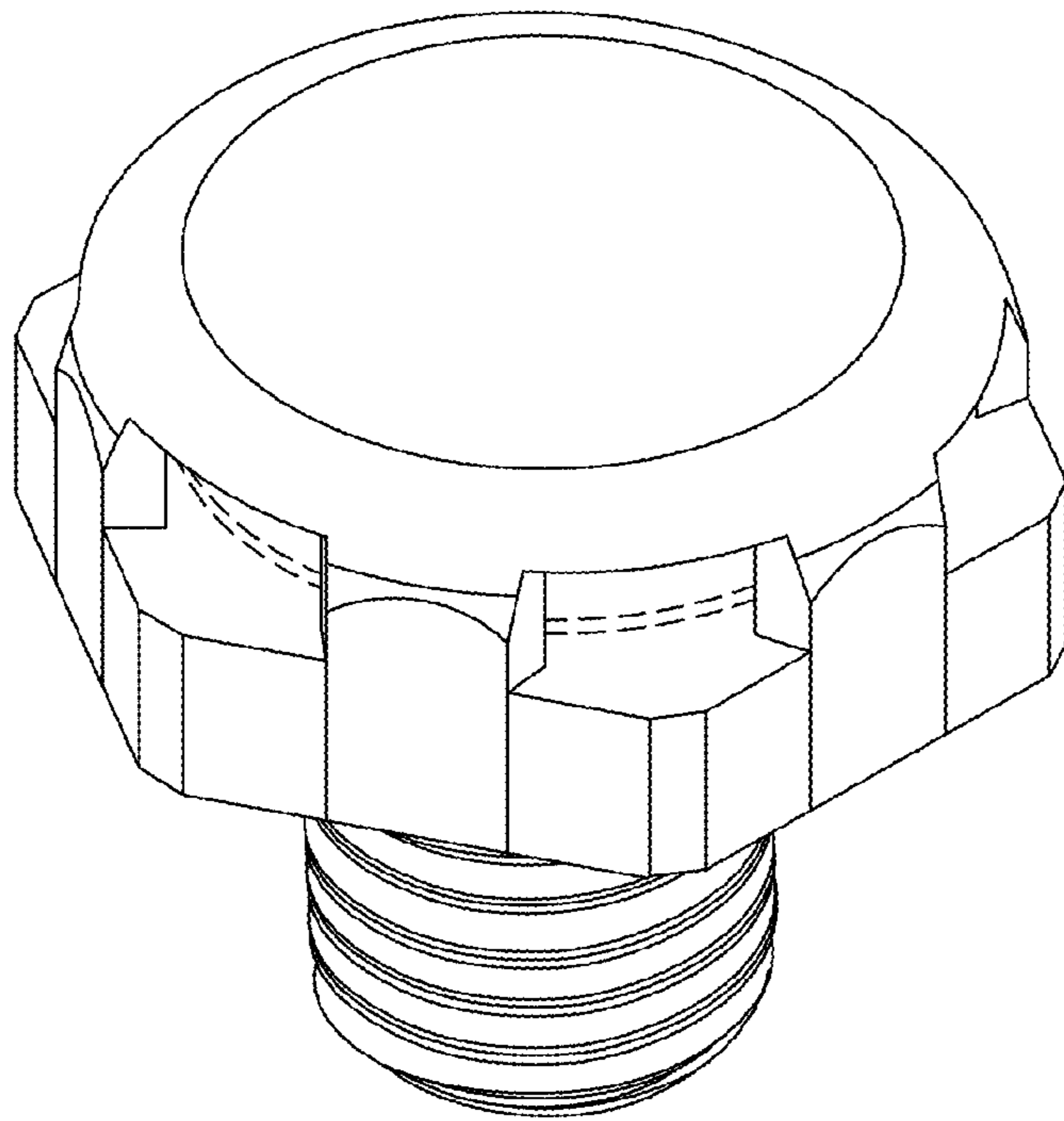


FIG. 8

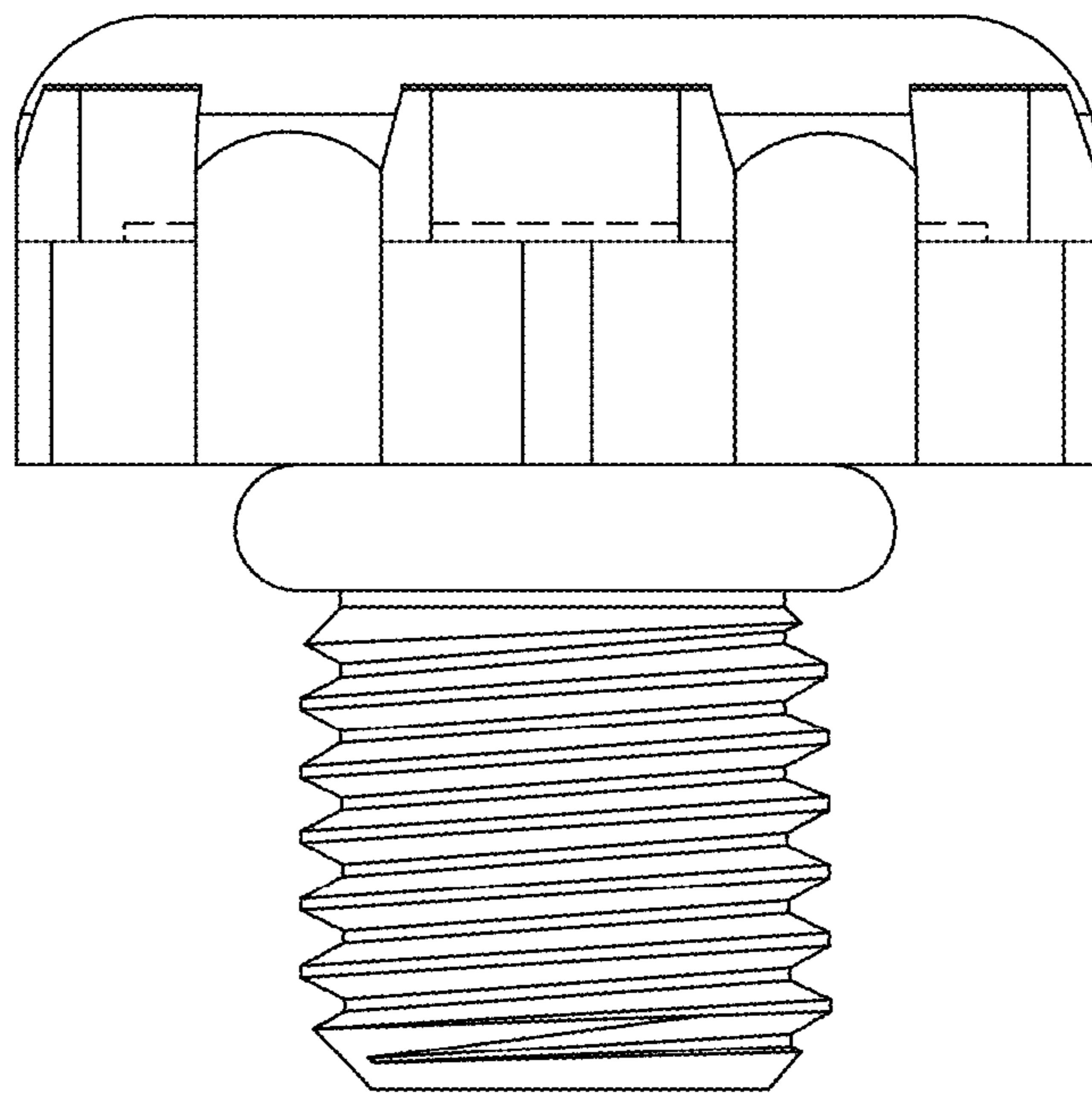


FIG. 9

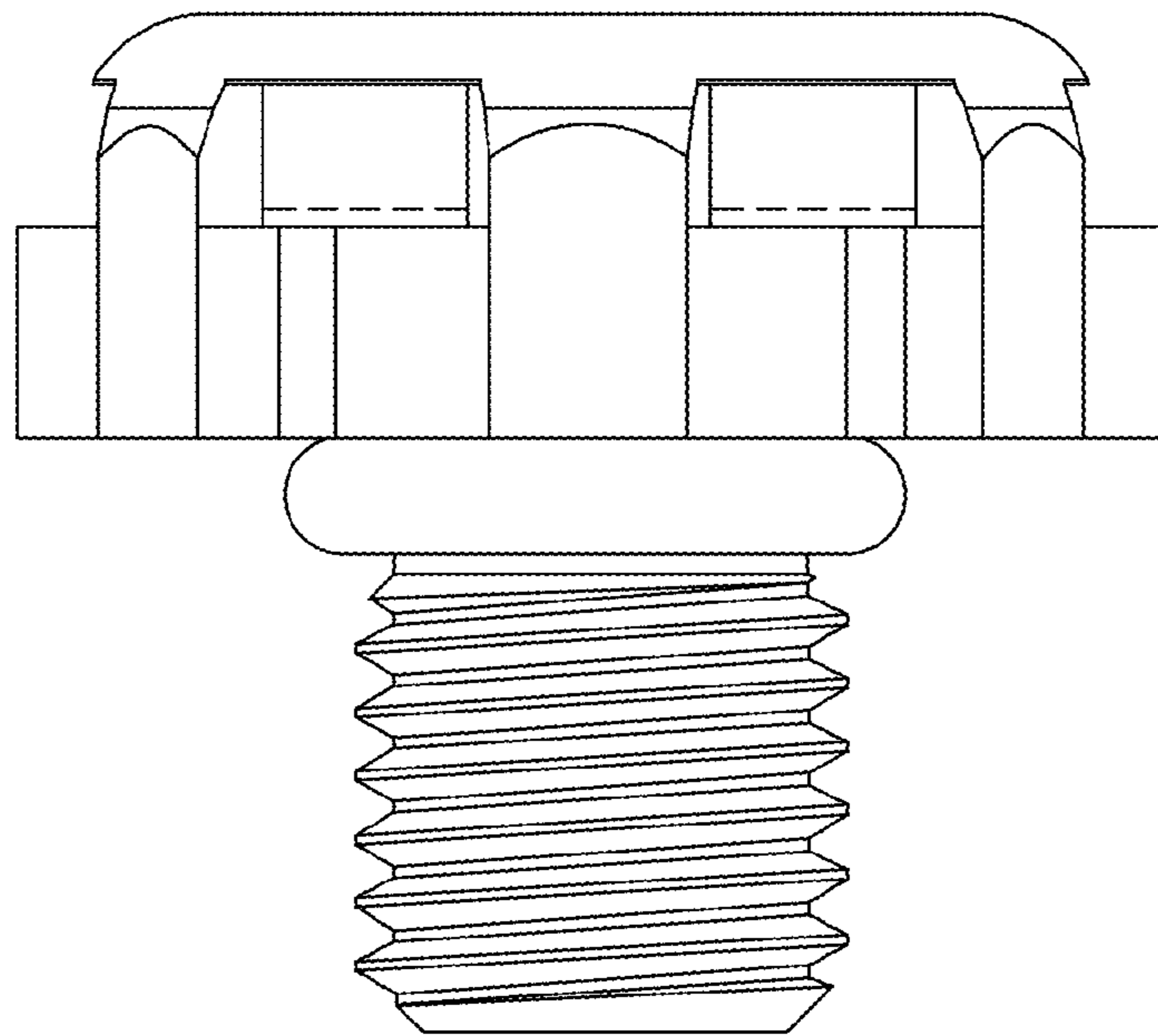


FIG. 10

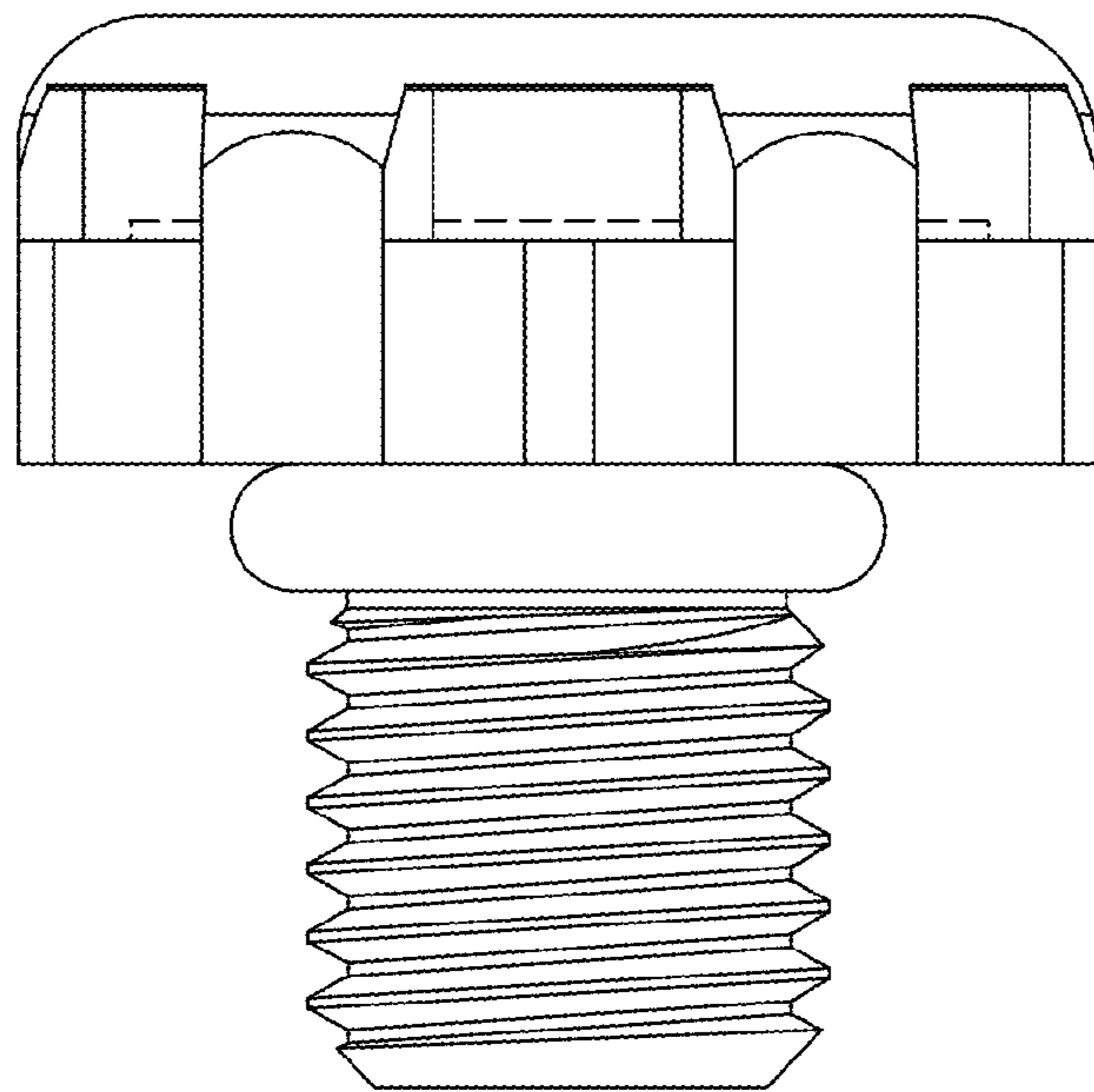


FIG. 11

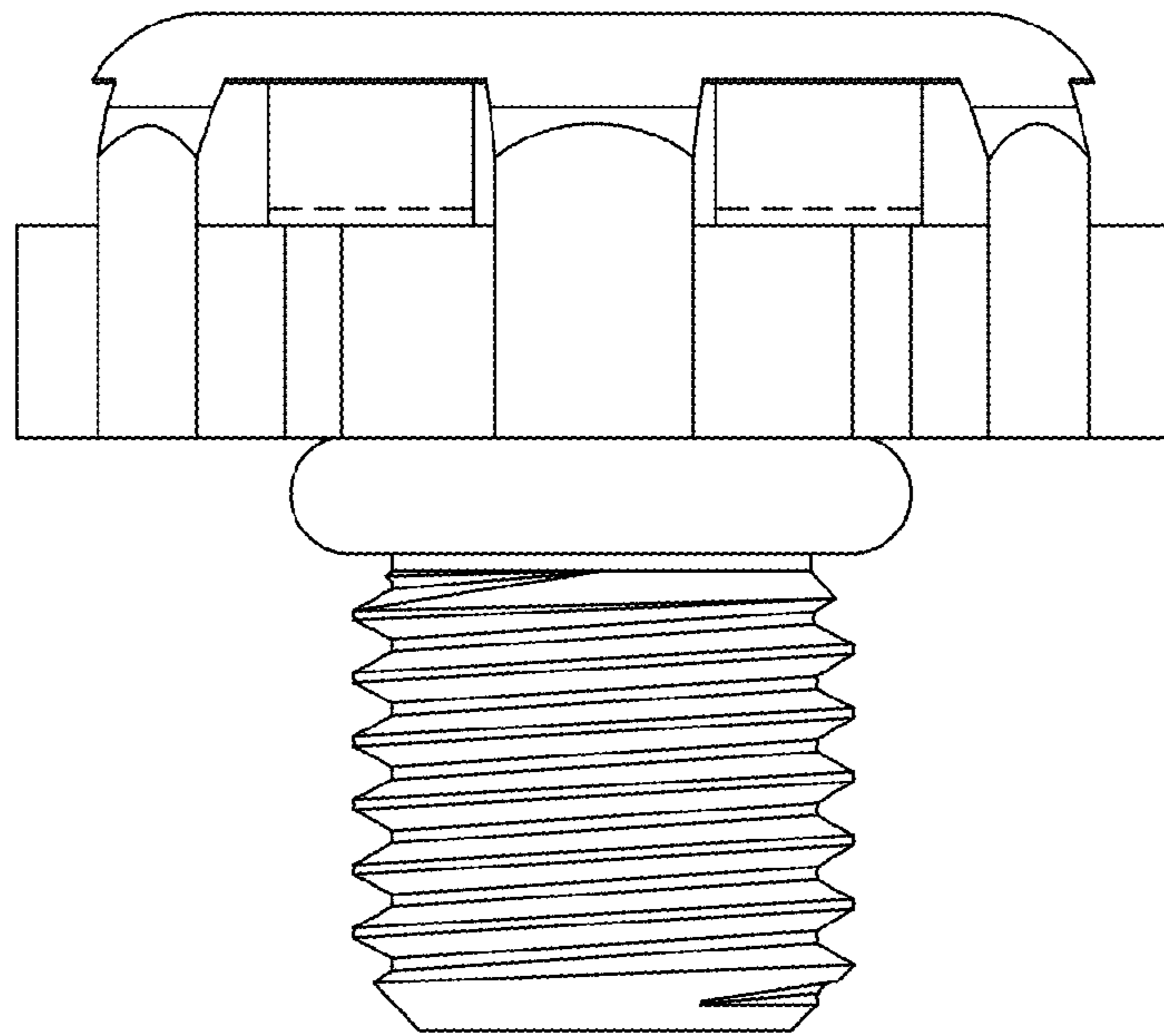


FIG. 12

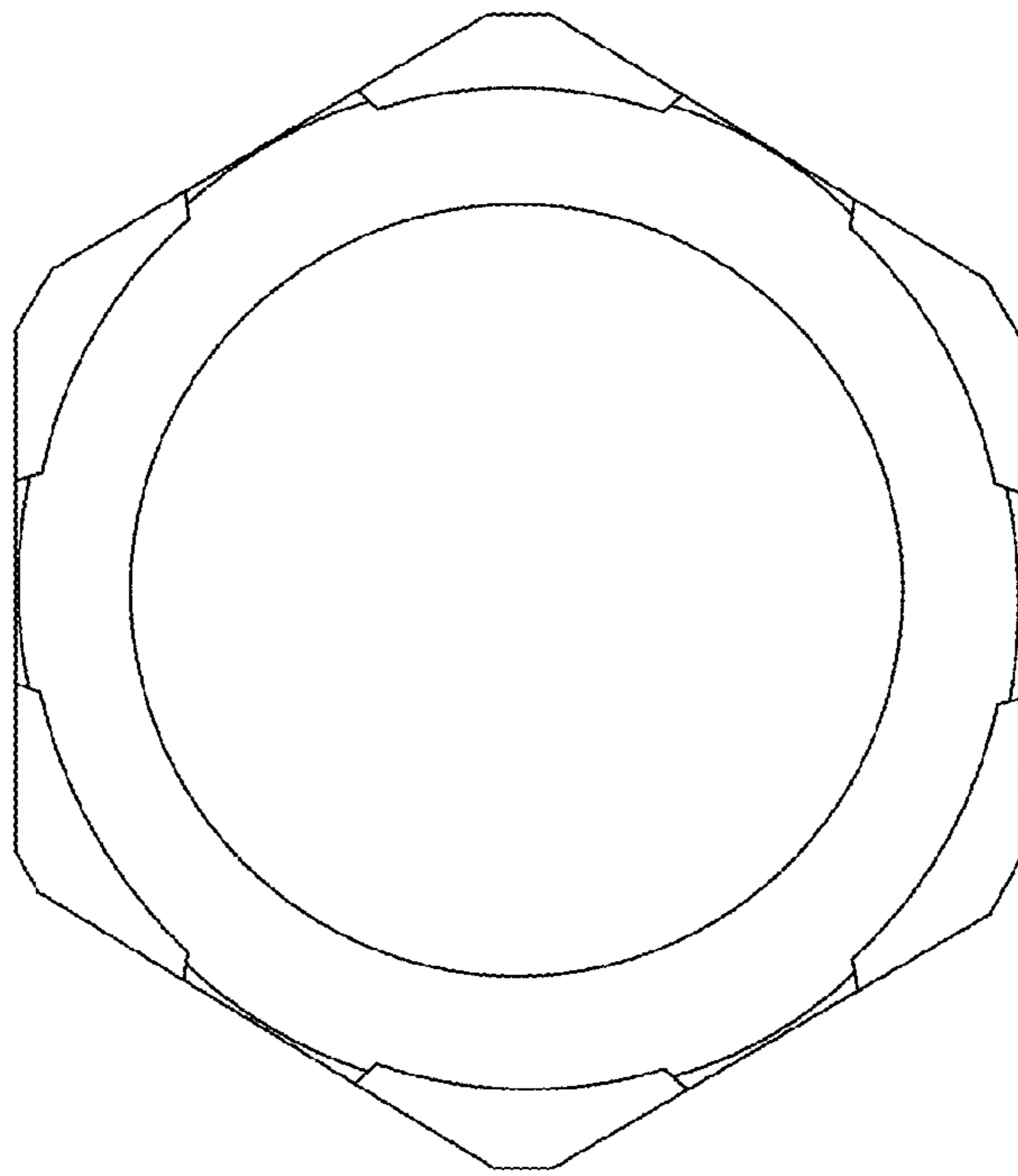


FIG. 13

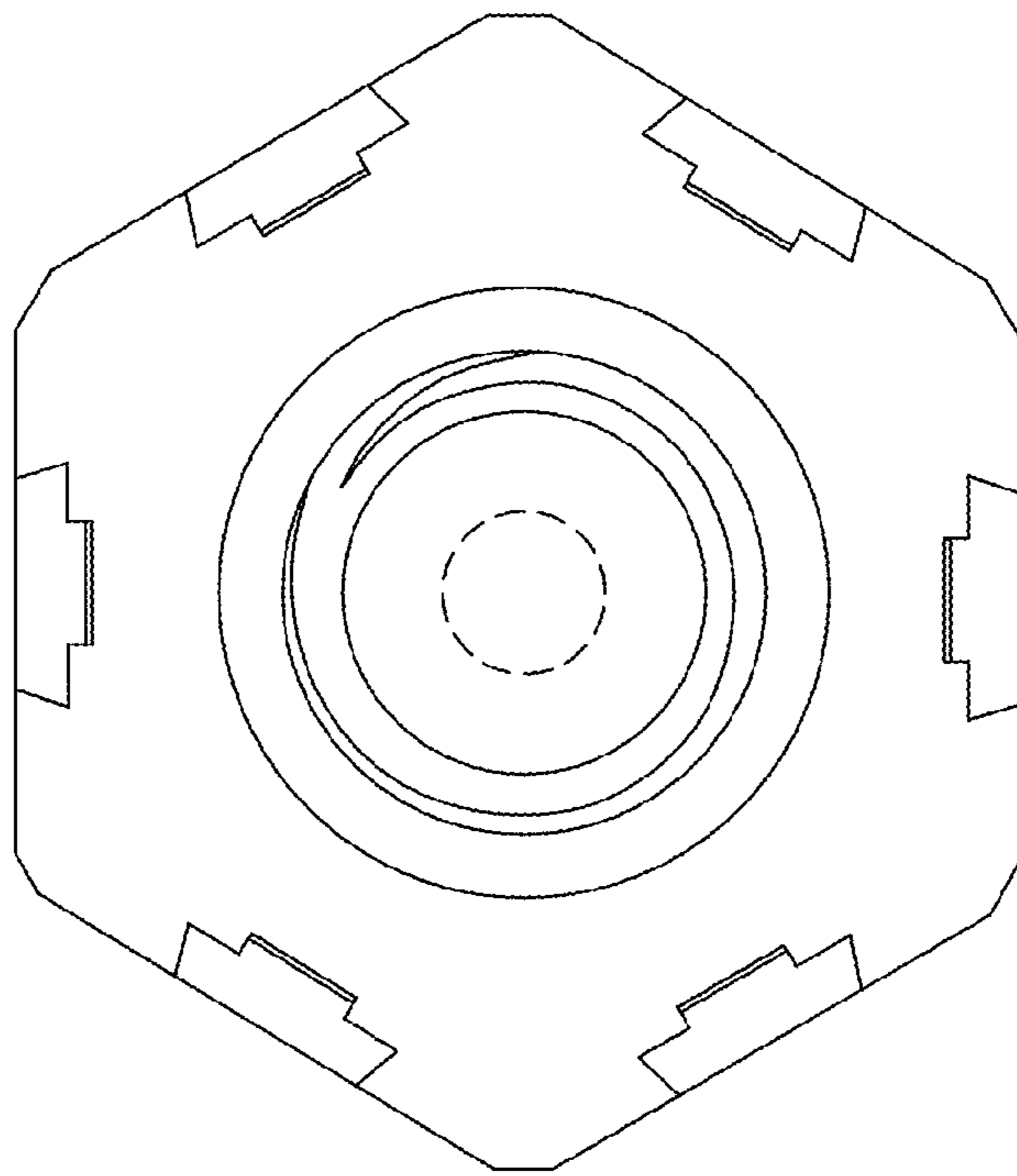


FIG. 14

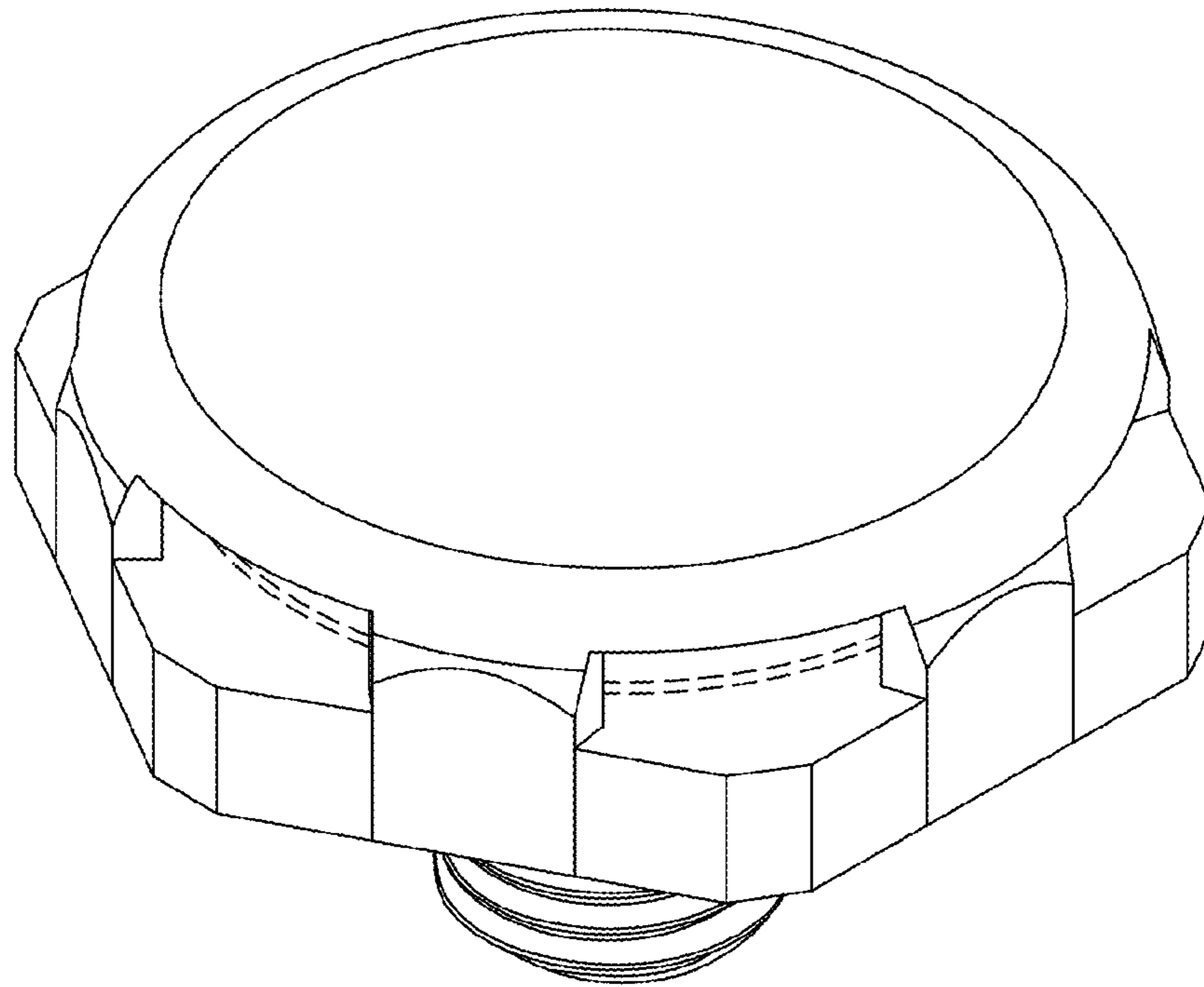


FIG. 15

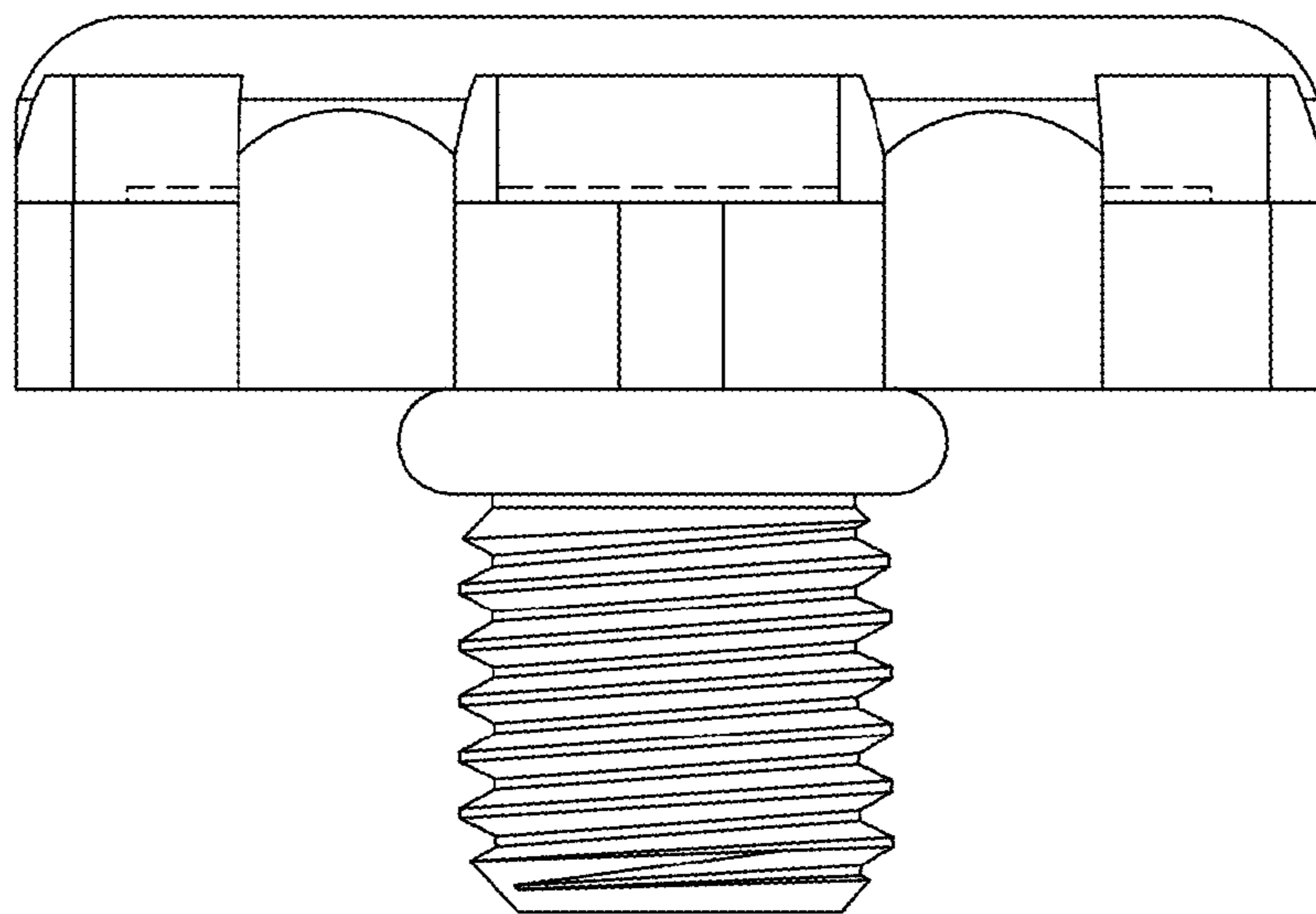


FIG. 16

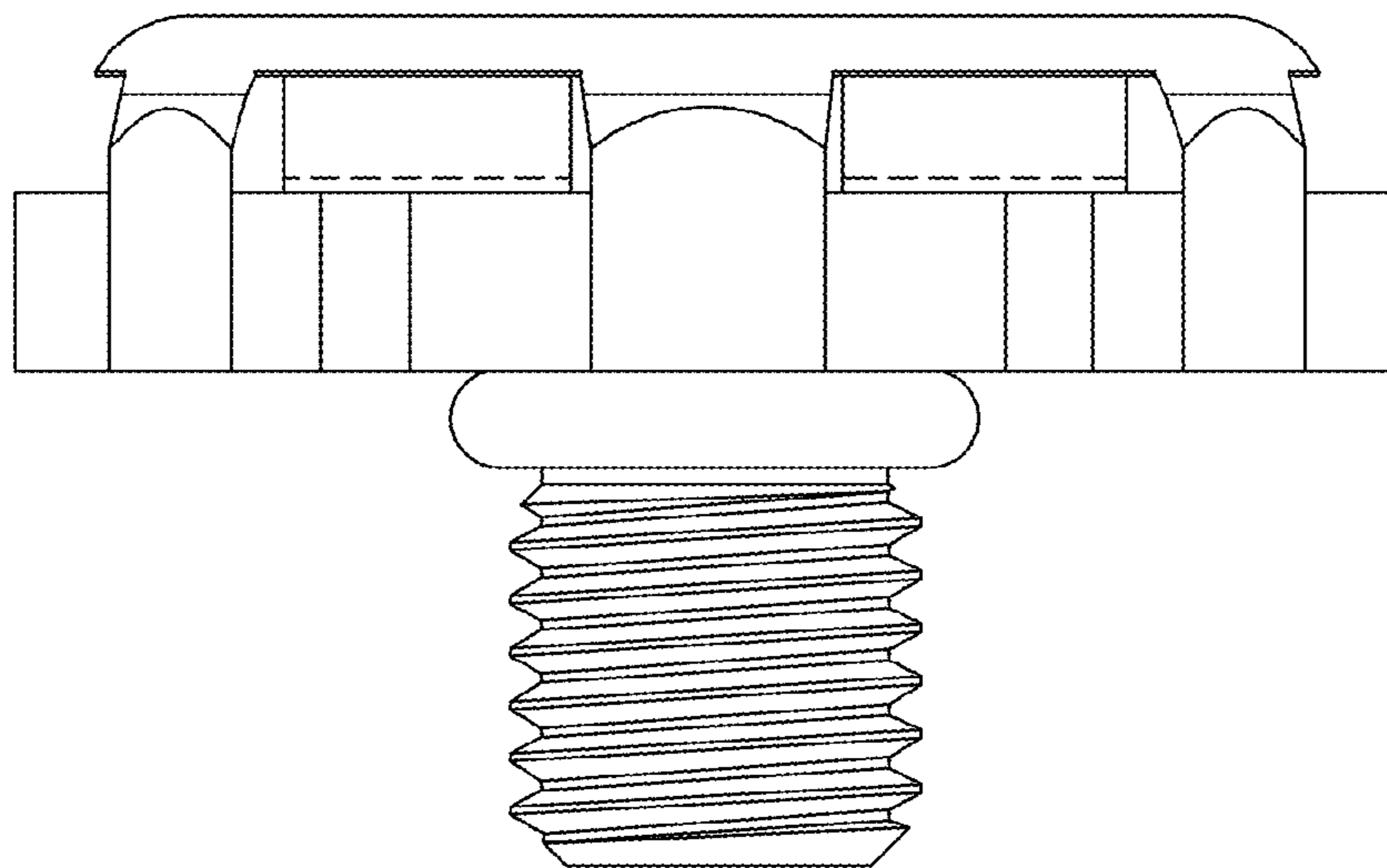


FIG. 17

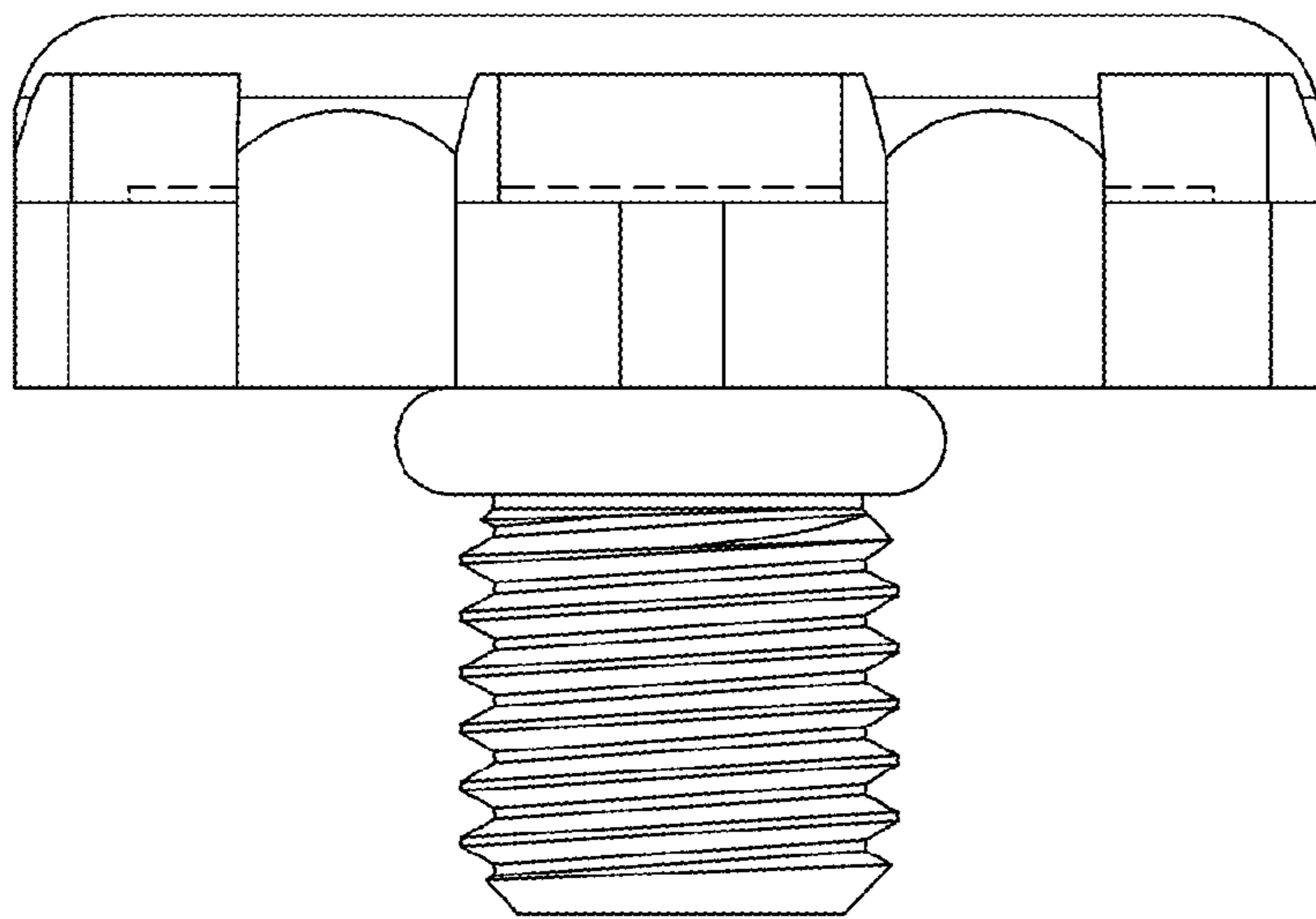


FIG. 18

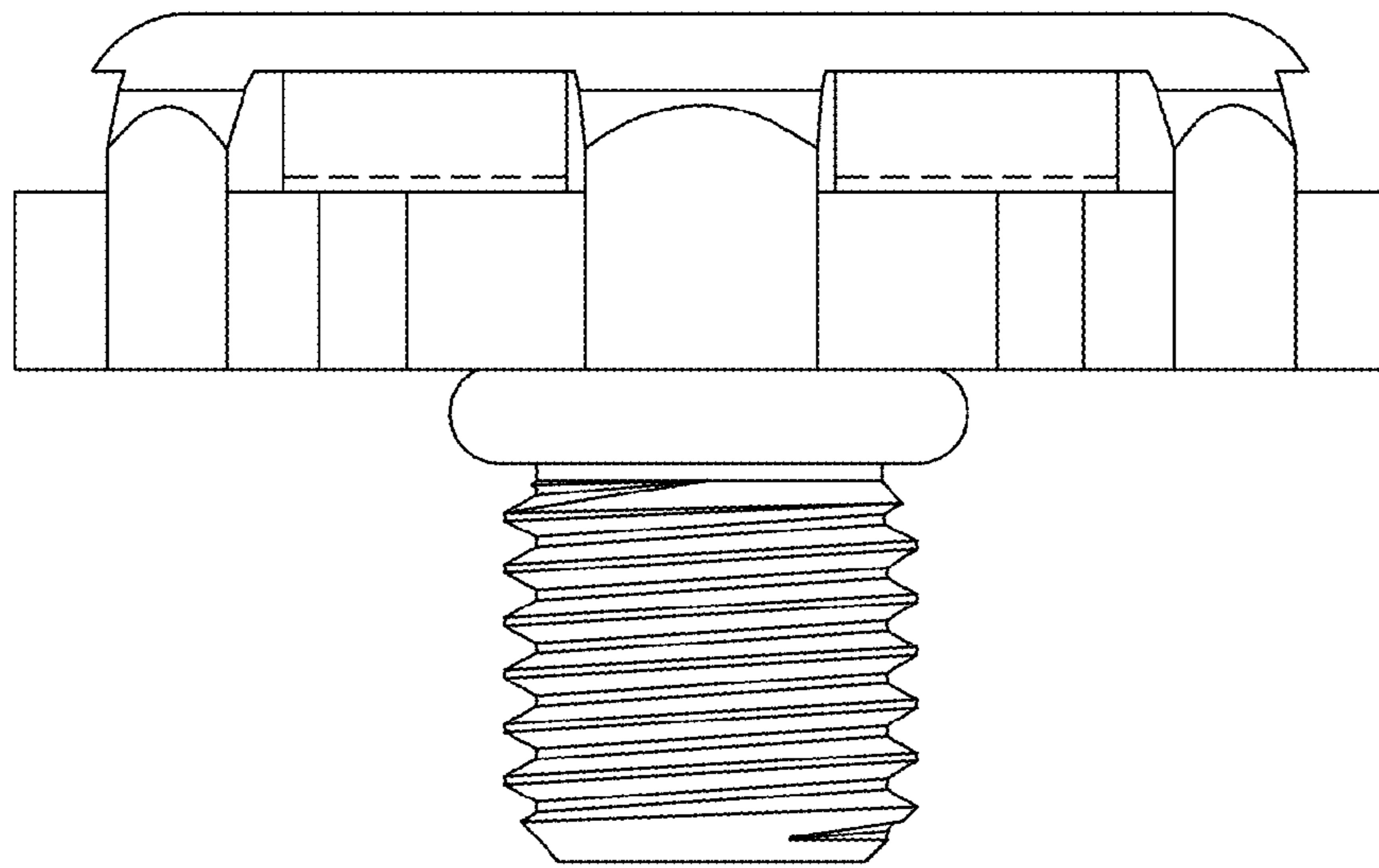


FIG. 19

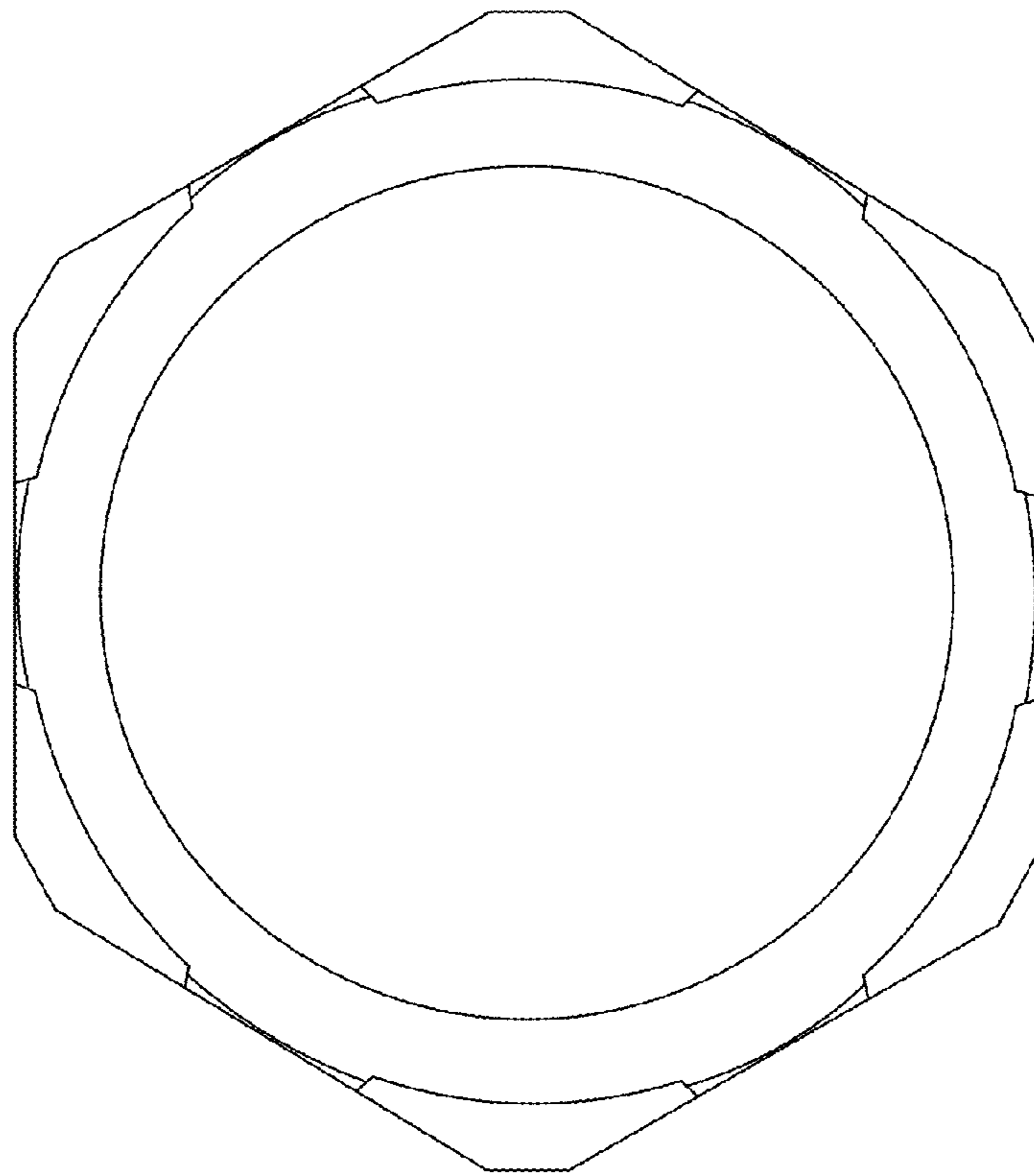


FIG. 20

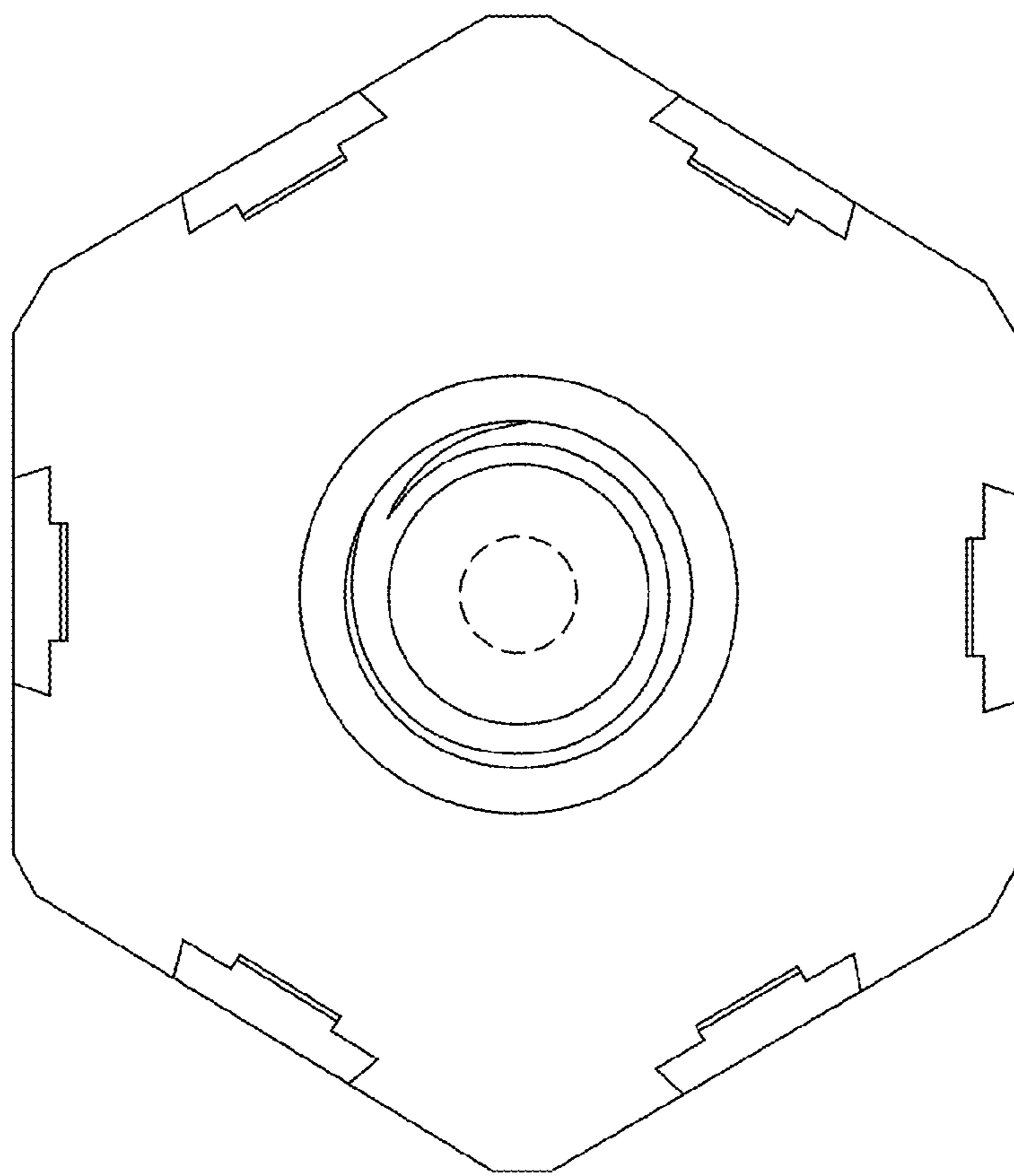


FIG. 21