



US00D749194S

(12) **United States Design Patent**
Yoshida et al.

(10) **Patent No.:** **US D749,194 S**

(45) **Date of Patent:** **** Feb. 9, 2016**

(54) **VALVE**

(71) Applicants: **Masami Yoshida**, Tsukubamirai (JP);
Hisataka Kato, Tsukubamirai (JP);
Koichiro Furuta, Tsukubamirai (JP)

(72) Inventors: **Masami Yoshida**, Tsukubamirai (JP);
Hisataka Kato, Tsukubamirai (JP);
Koichiro Furuta, Tsukubamirai (JP)

(73) Assignee: **SMC Corporation**, Chiyoda-ku, Tokyo
(JP)

(**) Term: **14 Years**

(21) Appl. No.: **29/522,410**

(22) Filed: **Mar. 31, 2015**

(30) **Foreign Application Priority Data**

Nov. 27, 2014 (JP) 2014-026440

(51) **LOC (10) Cl.** **23-01**

(52) **U.S. Cl.**
USPC **D23/233**

(58) **Field of Classification Search**
USPC D23/233-250, 225, 202, 203, 204, 205;
137/15.04, 15.08, 515, 7, 859, 843,
137/332, 529, 533.17, 540, 54, 543.17,
137/512.1; 251/61.1, 61.2, 118, 305, 324,
251/335.3, 349, 352, 366
CPC F16K 31/0613; F16K 27/0209; F16K
31/0644

See application file for complete search history.

(56) **References Cited**

U.S. PATENT DOCUMENTS

D426,617 S *	6/2000	Hansen	D23/237
D437,917 S *	2/2001	Weingarten	D23/244
D479,577 S *	9/2003	Engelbrektsson	D23/235
D692,983 S *	11/2013	Nissen	D23/233
D697,587 S *	1/2014	Nissen	D23/233
D720,430 S *	12/2014	Yoshida	D23/233
2013/0008542 A1 *	1/2013	Irwin	F16K 31/402 137/859

* cited by examiner

Primary Examiner — Cynthia Ramirez

Assistant Examiner — Gino Colan

(74) *Attorney, Agent, or Firm* — Yokoi & Co., U.S.A.;
Toshiyuki Yokoi

(57) **CLAIM**

The ornamental design for a valve, as shown and described.

DESCRIPTION

FIG. 1 shows a front view of a valve showing our new design;
FIG. 2 shows a rear view thereof;
FIG. 3 shows a right side view thereof;
FIG. 4 shows a left side view thereof;
FIG. 5 shows a top view thereof;
FIG. 6 shows a bottom view thereof;
FIG. 7 shows a top, front and left side perspective view
thereof; and,
FIG. 8 shows a bottom, rear and right side perspective view
thereof.

1 Claim, 7 Drawing Sheets

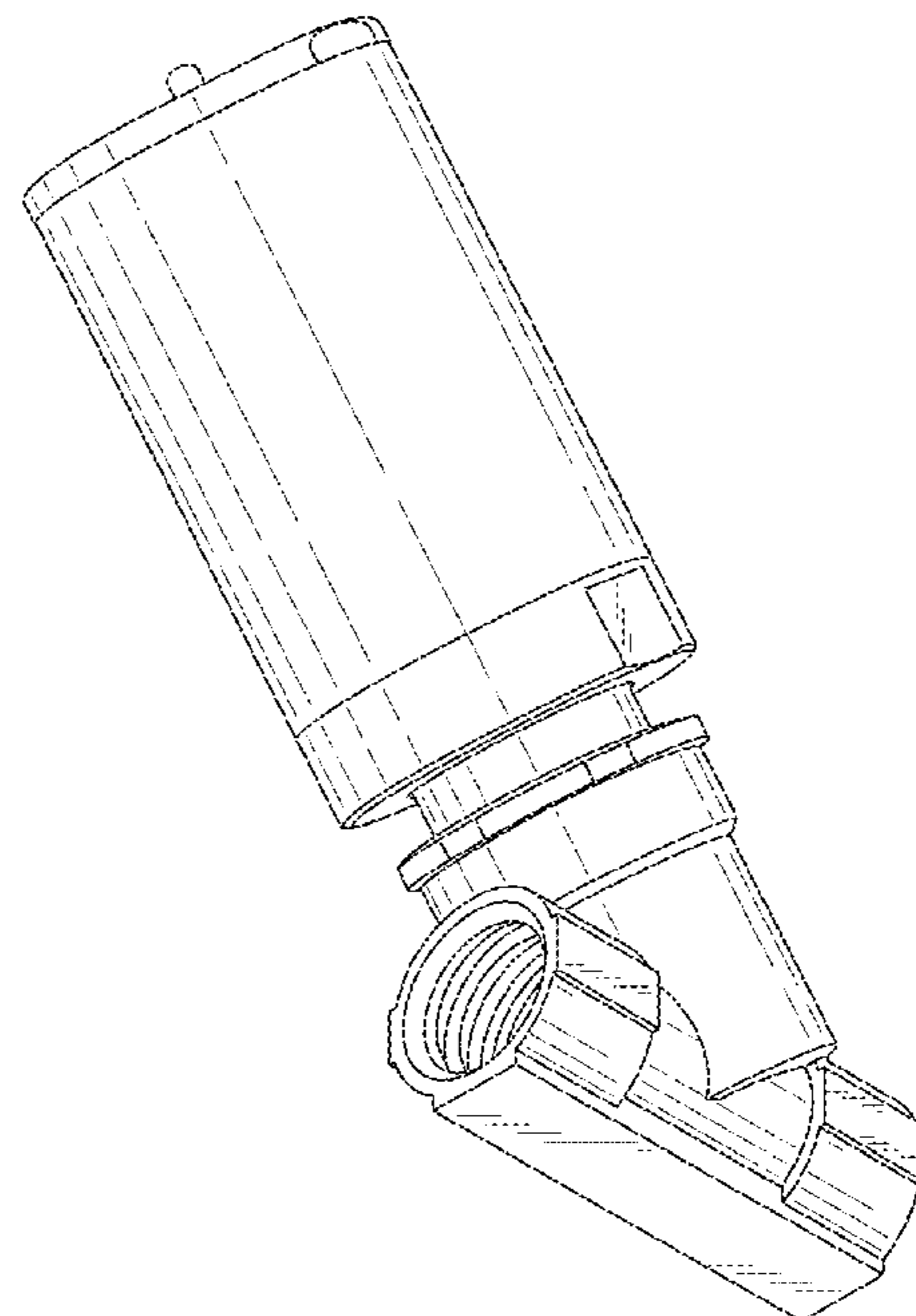
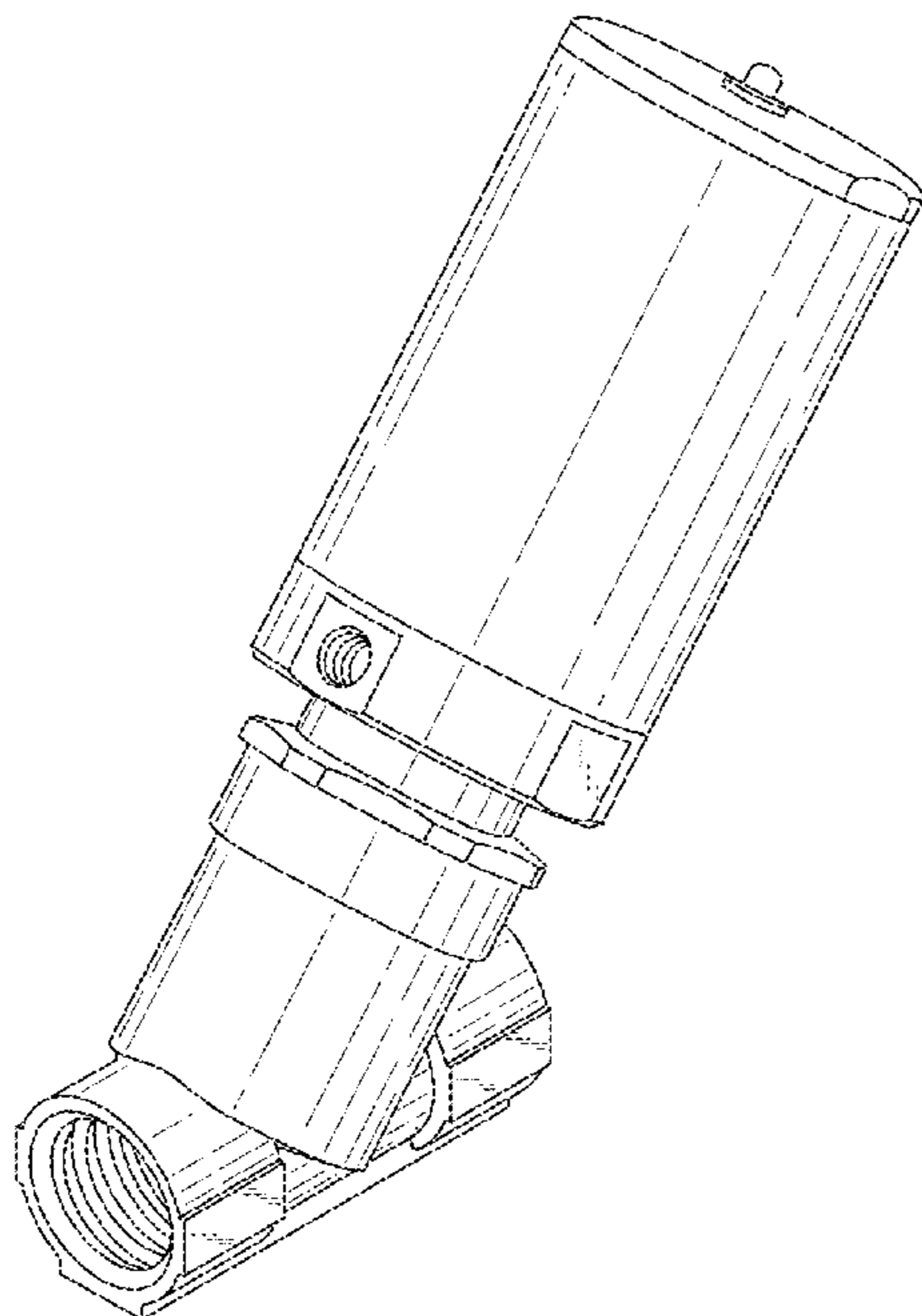


FIG. 1

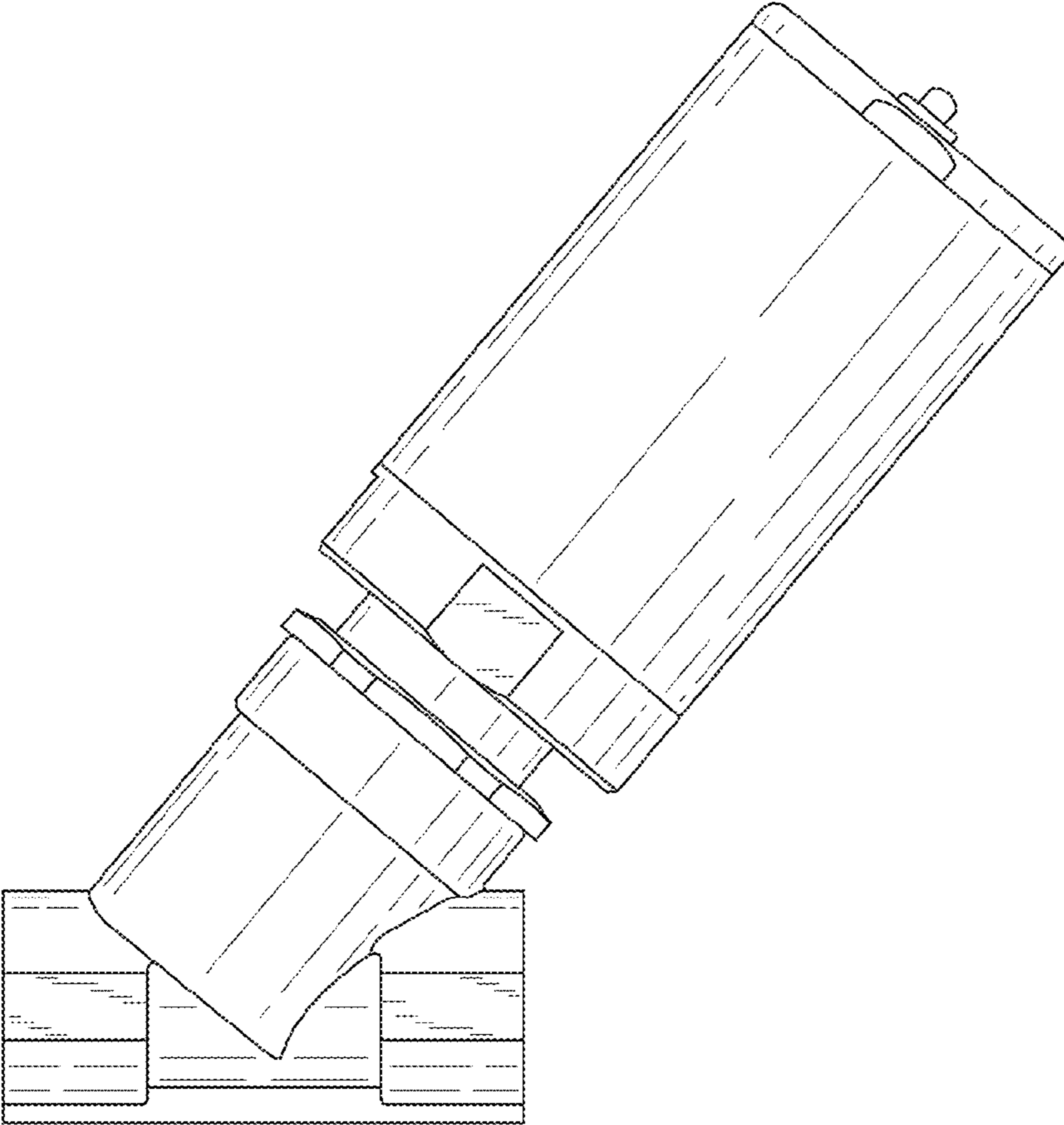


FIG. 2

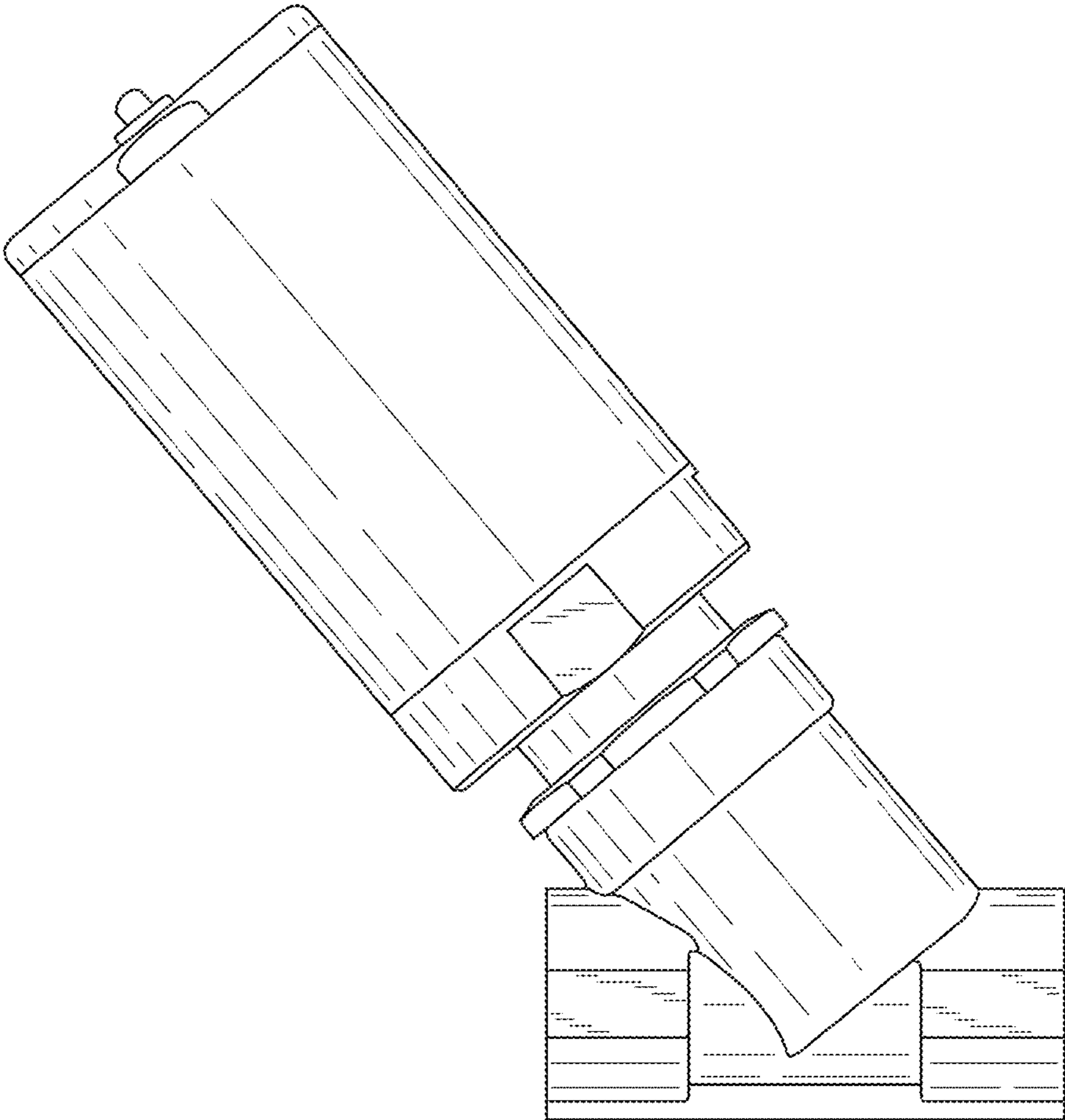


FIG. 3

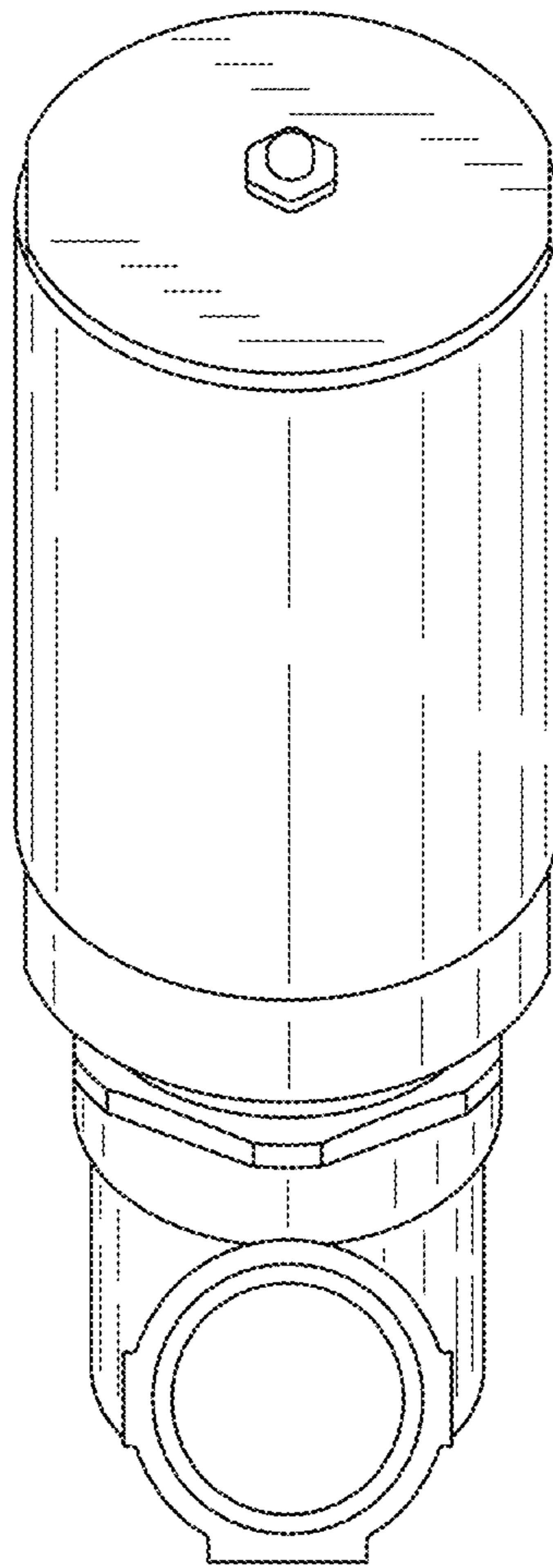


FIG. 4

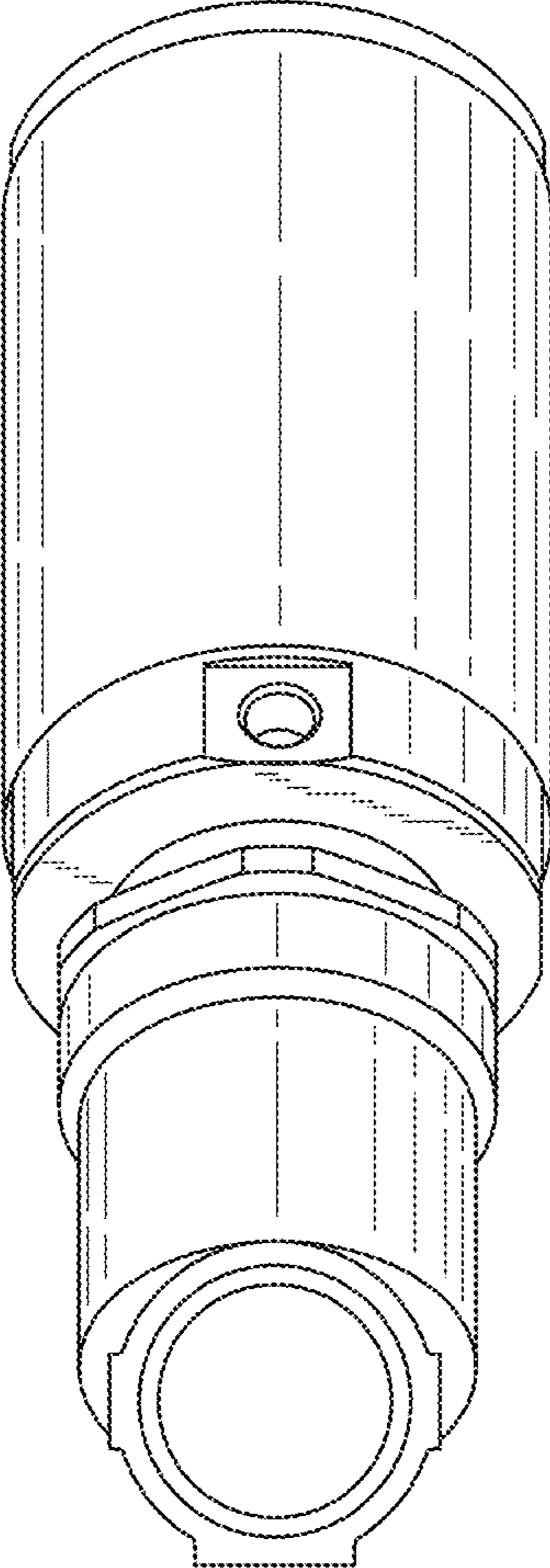


FIG. 5

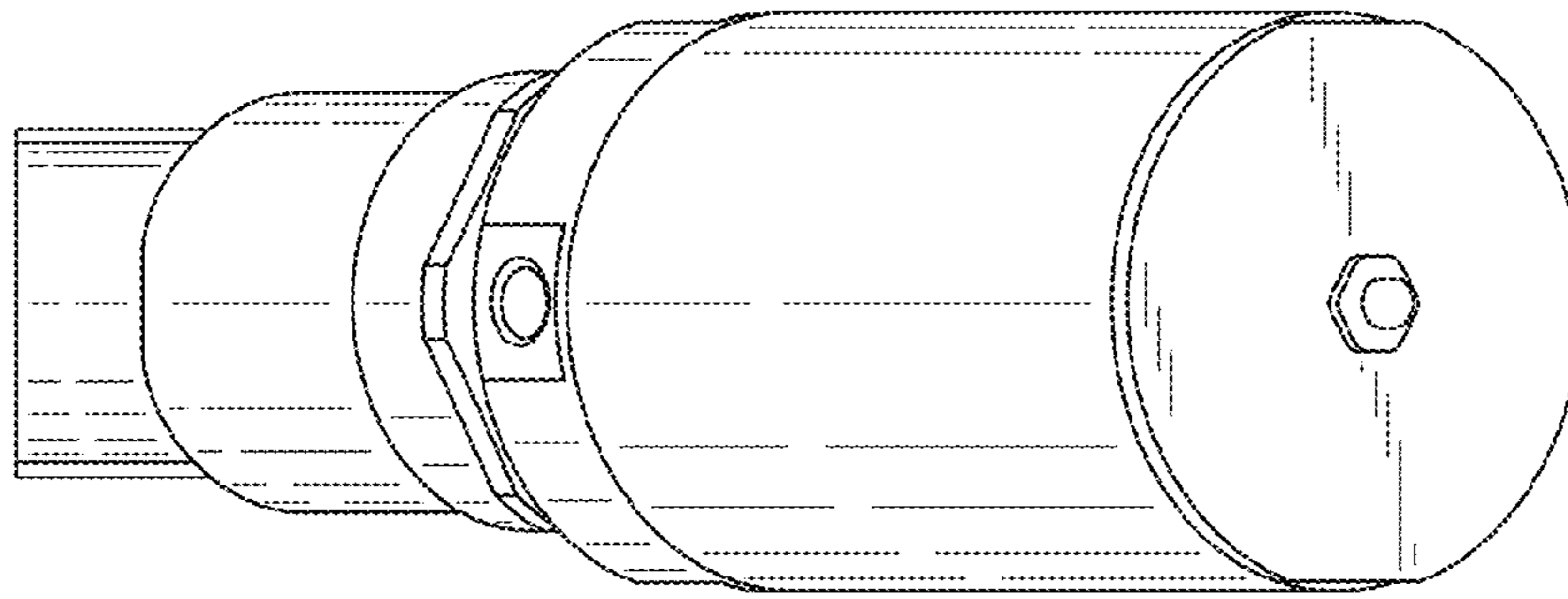


FIG. 6

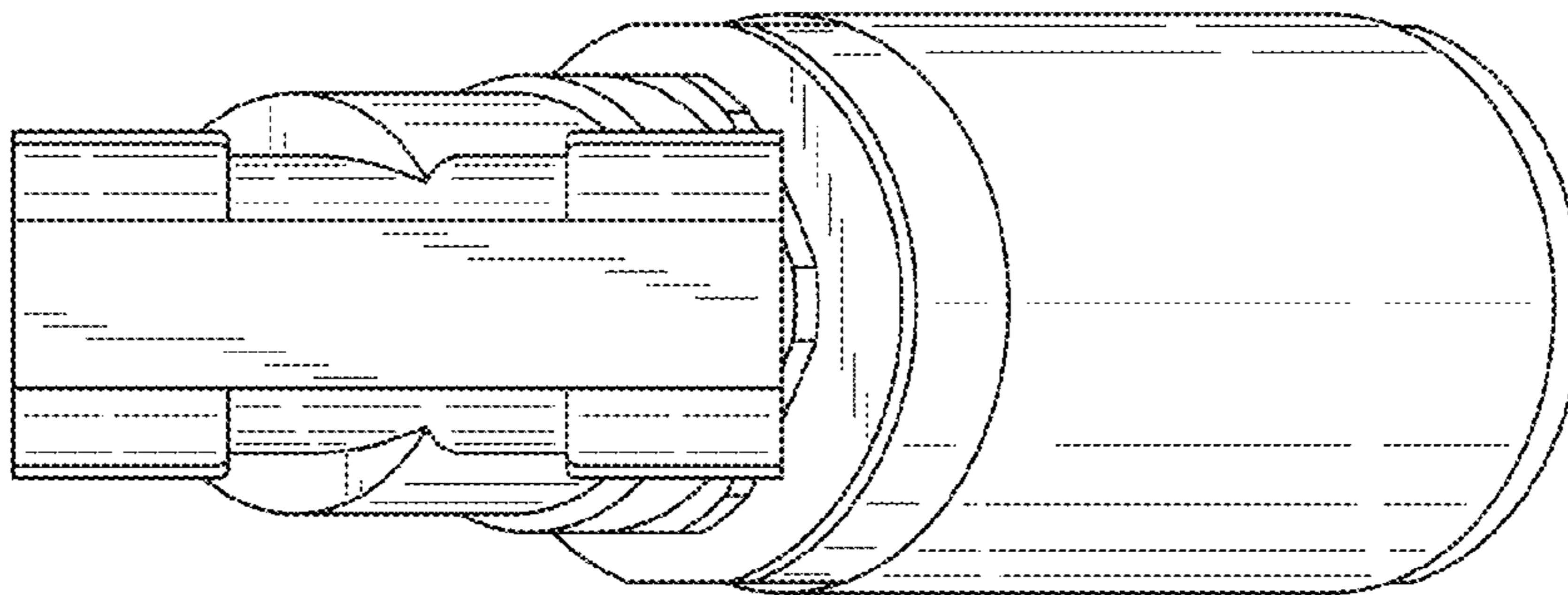


FIG. 7

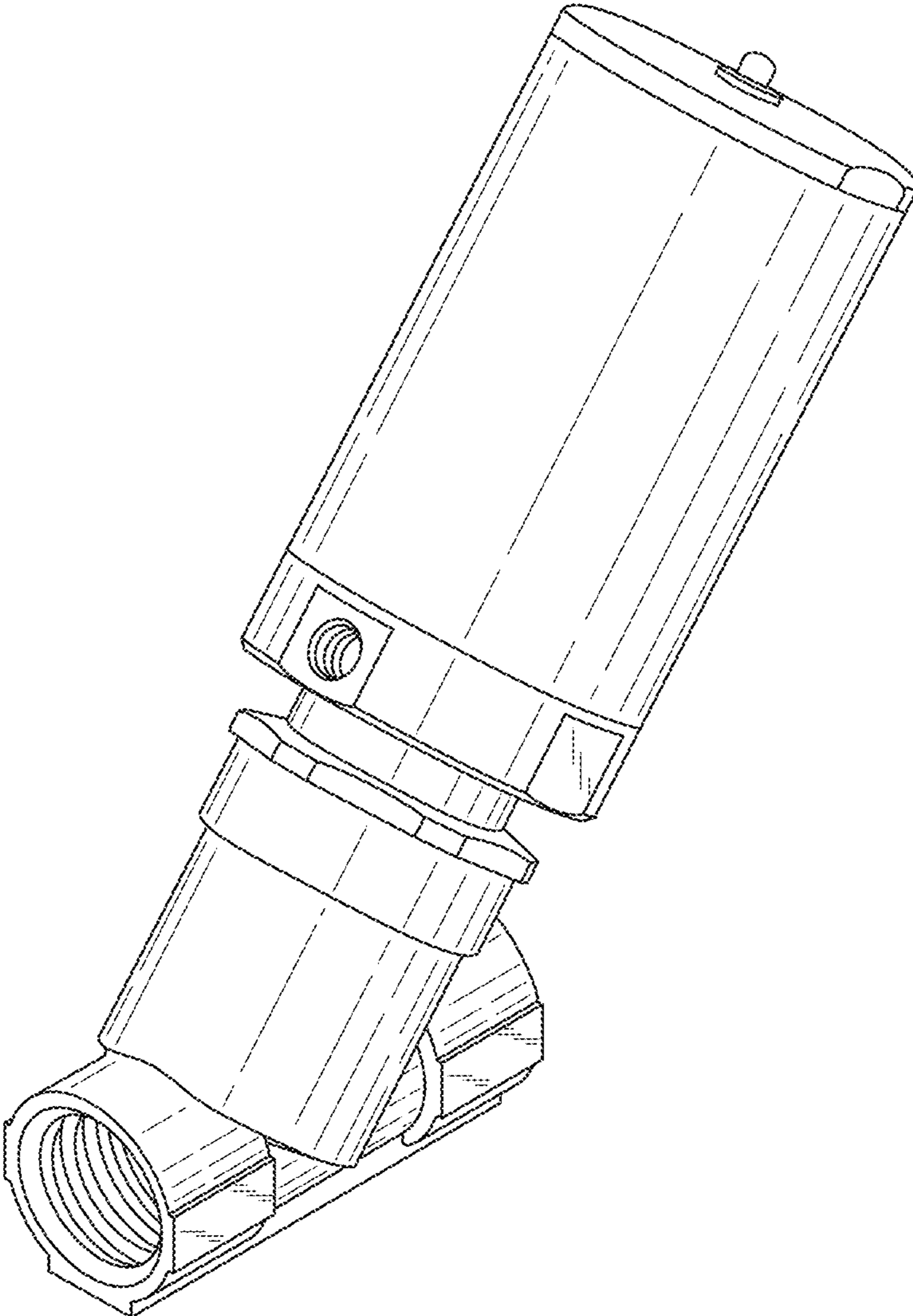


FIG. 8

