



US00D749193S

(12) **United States Design Patent**
Beal et al.

(10) **Patent No.:** **US D749,193 S**
(45) **Date of Patent:** **** Feb. 9, 2016**

- (54) **KEG COUPLER**
- (71) Applicants: **Kevin Beal**, Houston, TX (US); **Louis W. Apostolakis**, Austin, TX (US)
- (72) Inventors: **Kevin Beal**, Houston, TX (US); **Louis W. Apostolakis**, Austin, TX (US)
- (**) Term: **14 Years**
- (21) Appl. No.: **29/501,300**
- (22) Filed: **Sep. 3, 2014**
- (51) **LOC (10) Cl.** **23-01**
- (52) **U.S. Cl.**
USPC **D23/233**; D7/397; D7/398; D23/262
- (58) **Field of Classification Search**
USPC D7/397, 398, 213; D23/262, 233, 226;
D34/39; 137/317, 212; 222/153.02,
222/153.03, 400.7
CPC B65D 83/00; F16K 35/00; F16L 37/28;
B67C 11/04
See application file for complete search history.

- 5,336,334 A * 8/1994 Johnson B67D 1/07
134/169 C
- 6,966,458 B2 * 11/2005 Robinson B67D 7/34
222/153.02
- 8,757,195 B2 * 6/2014 Gitlin, Jr. B67D 1/0831
137/317
- D719,403 S * 12/2014 Halioua D7/397
- D720,839 S * 1/2015 Beal D14/239
- D728,747 S * 5/2015 McLauchlan D23/233
- D736,896 S * 8/2015 Nishimura D23/233

* cited by examiner

Primary Examiner — Marianne Pandozzi

(74) *Attorney, Agent, or Firm* — Egbert Law Offices, PLLC

(57) **CLAIM**

The ornamental design for a keg coupler, as shown and described.

DESCRIPTION

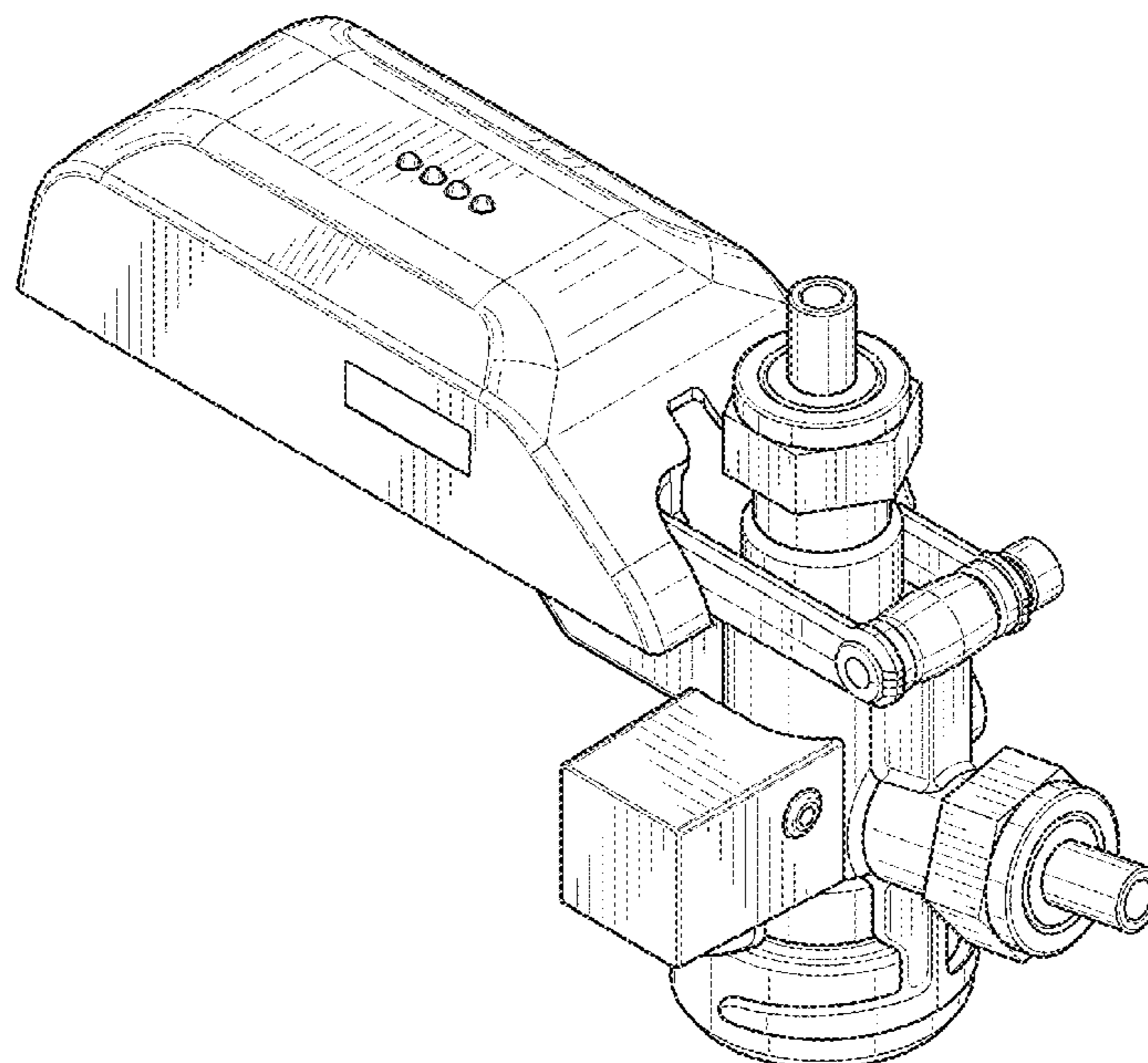
FIG. 1 is a front perspective view of a keg coupler showing our new design;
 FIG. 2 is a front view thereof;
 FIG. 3 is a rear view thereof;
 FIG. 4 is a side view thereof;
 FIG. 5 is an opposite side view thereof;
 FIG. 6 is a top view thereof;
 FIG. 7 is a bottom view thereof; and,
 FIG. 8 is a rear perspective view thereof.
 The broken lines in the drawings represent unclaimed portions of the keg coupler and form no part of the claimed design.

1 Claim, 4 Drawing Sheets

(56) **References Cited**

U.S. PATENT DOCUMENTS

- 4,159,102 A * 6/1979 Fallon B67D 1/0832
137/212
- 4,291,821 A * 9/1981 Nezworski B67D 1/0832
137/212
- 4,538,746 A * 9/1985 Hines B67D 1/0832
137/322
- 4,728,010 A * 3/1988 Johnston B67D 1/0832
137/212



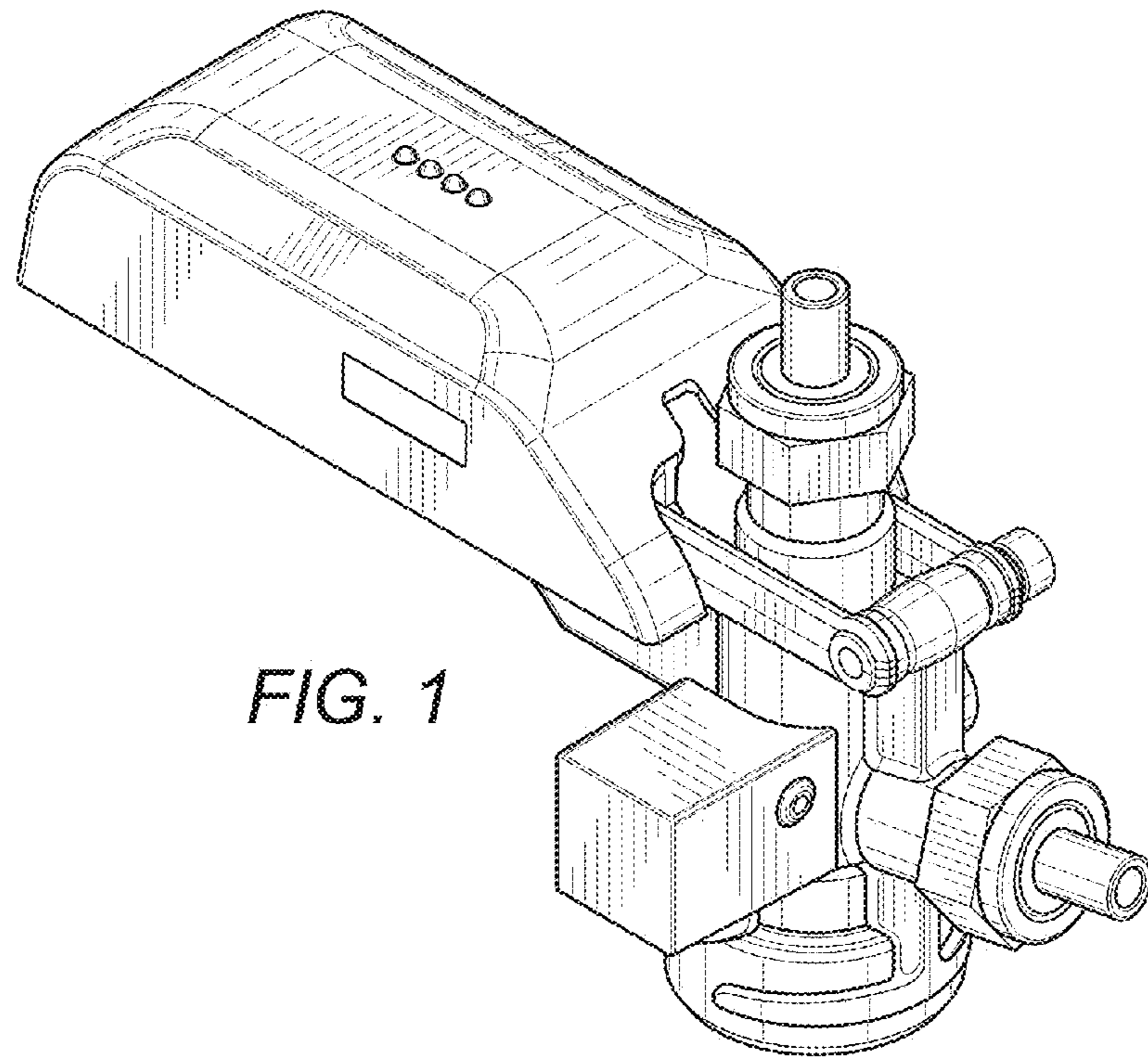


FIG. 1

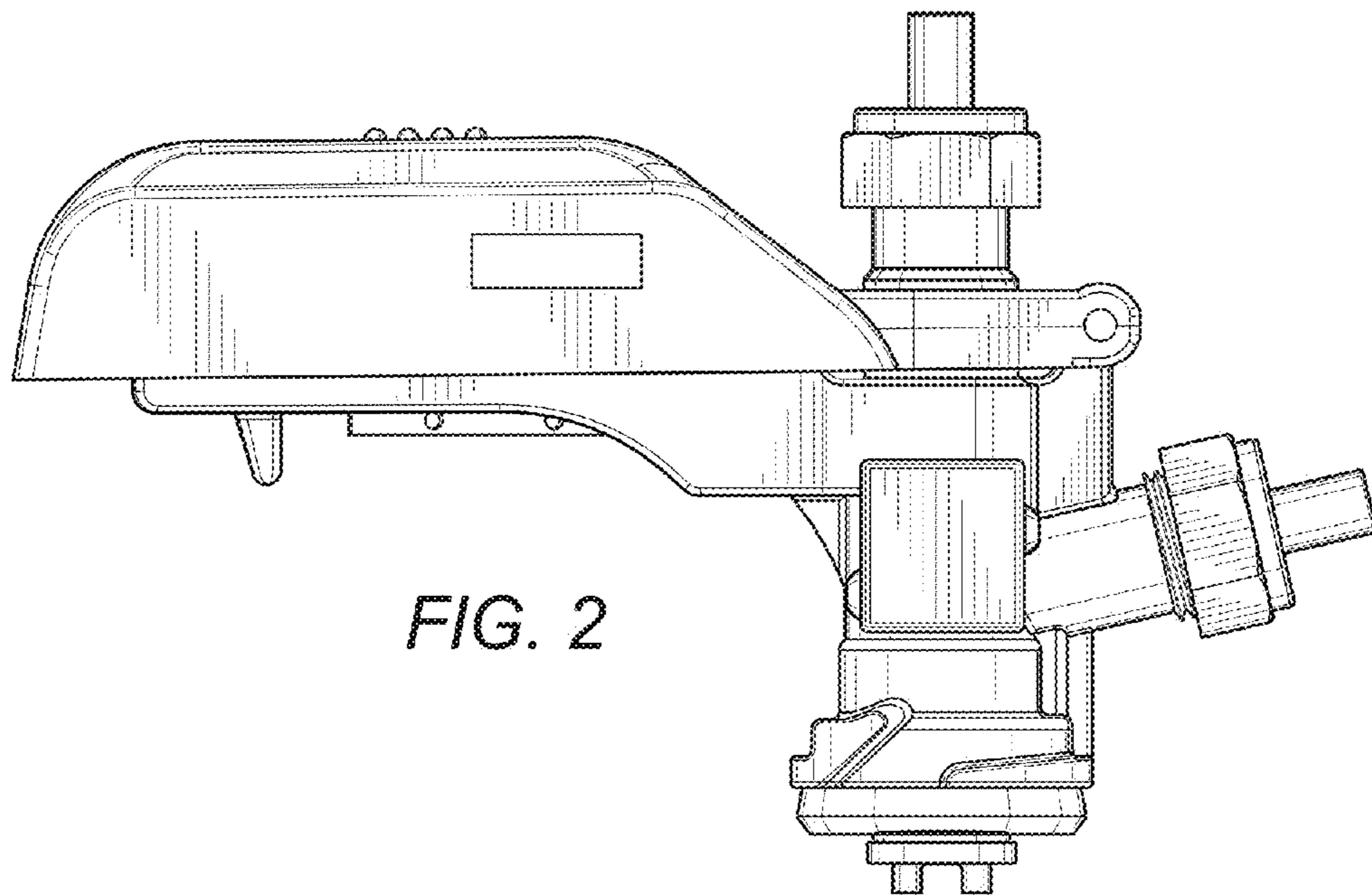


FIG. 2

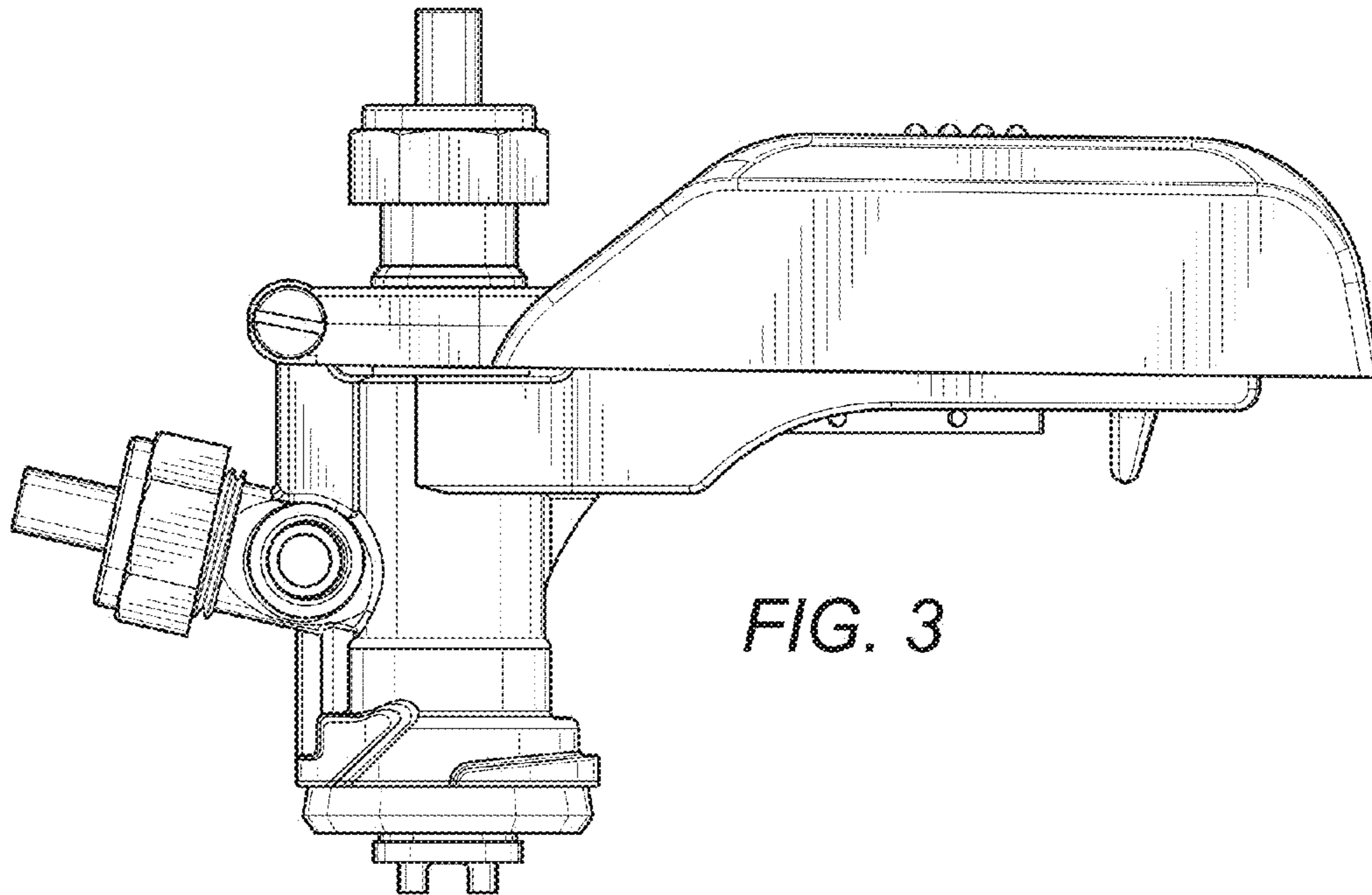


FIG. 3

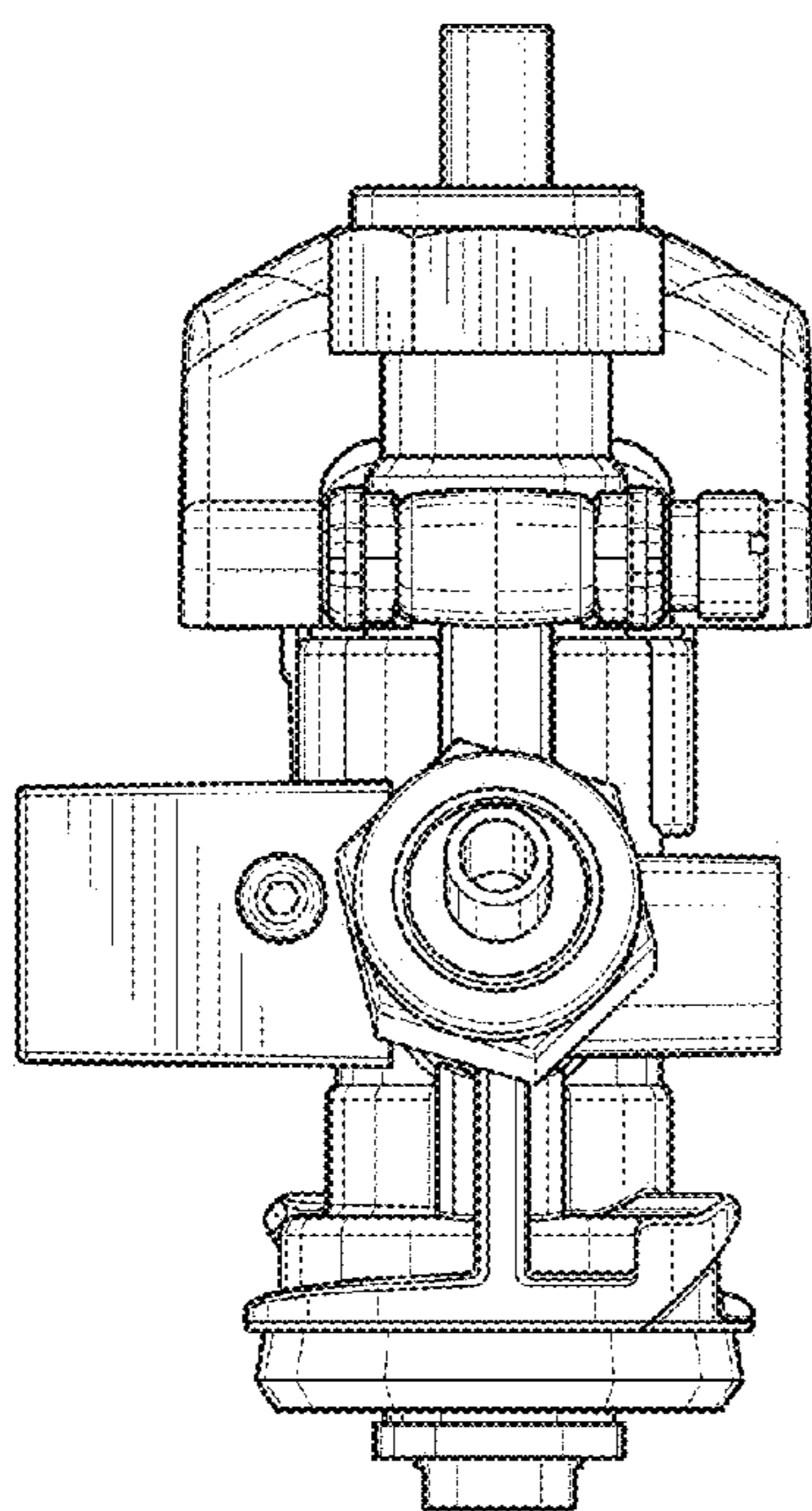


FIG. 4

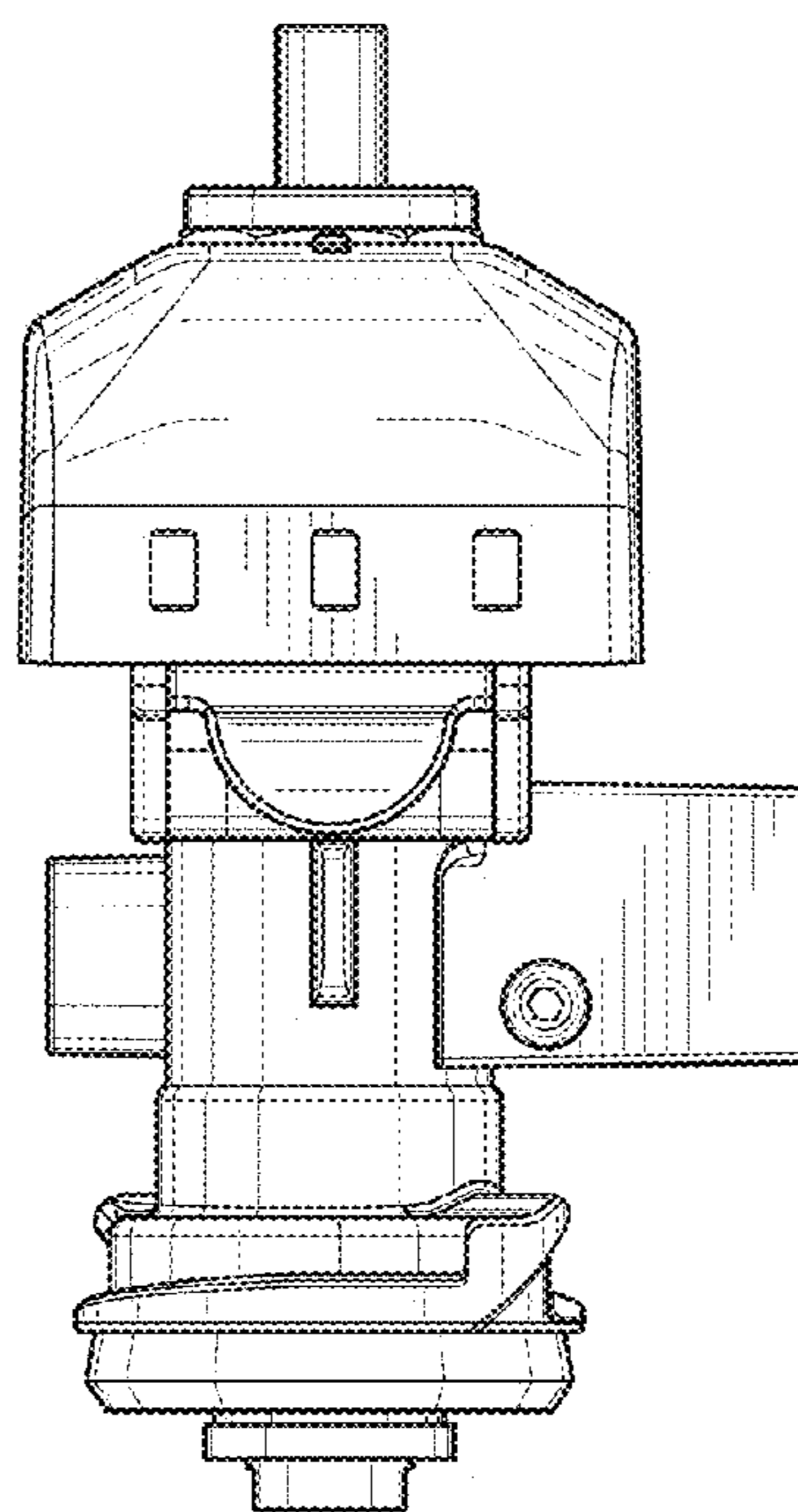


FIG. 5

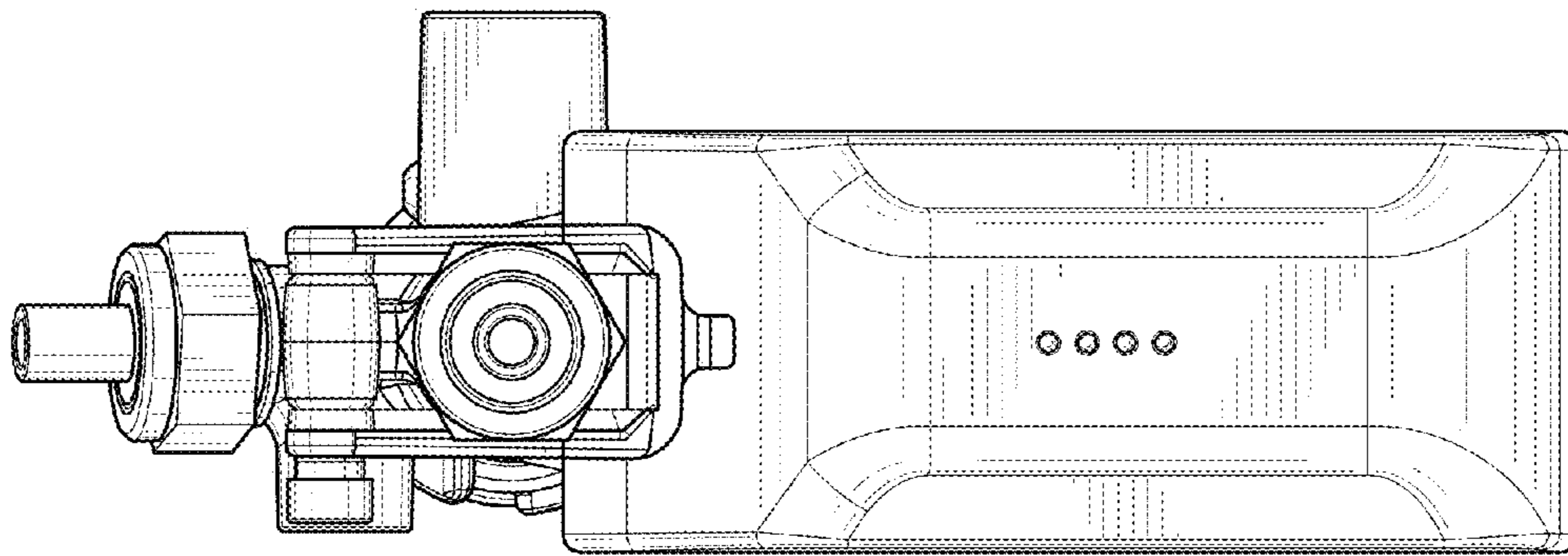


FIG. 6

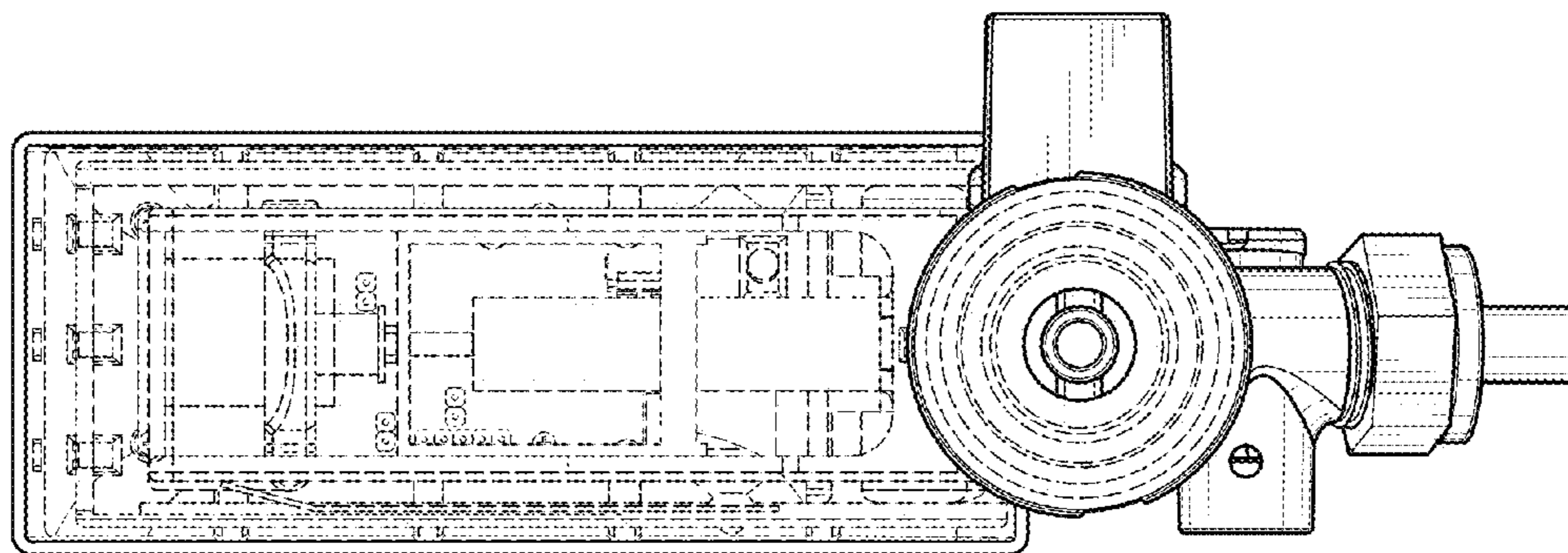


FIG. 7

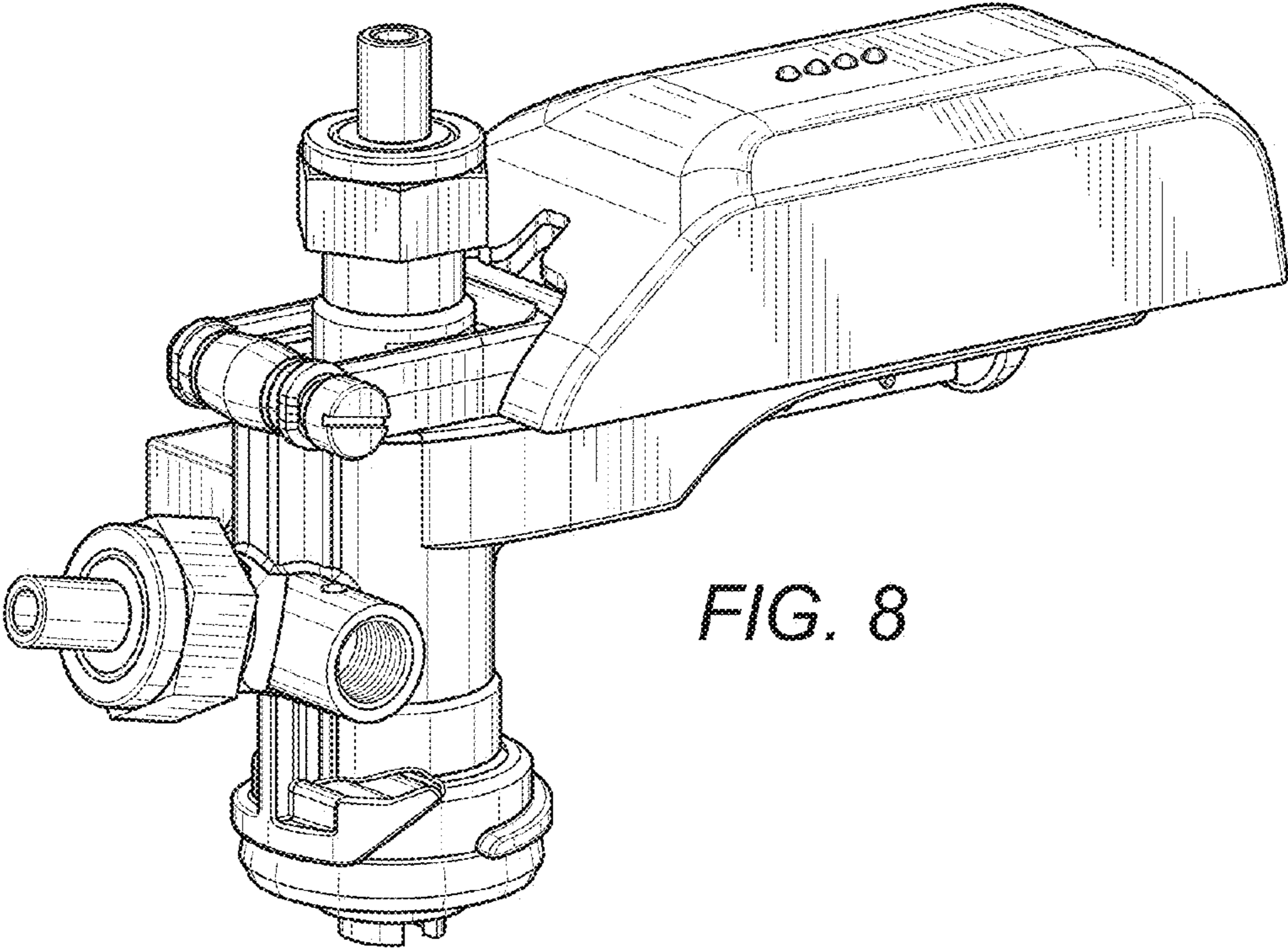


FIG. 8