



US00D749192S

(12) **United States Design Patent**
Fontaine

(10) **Patent No.:** **US D749,192 S**
(45) **Date of Patent:** **** Feb. 9, 2016**

- (54) **BATTERY OPERATED MOTOR DRIVEN BACKPACK SPRAYER**
- (71) Applicant: **CHAPIN MANUFACTURING, INC.**,
Batavia, NY (US)
- (72) Inventor: **James R. Fontaine**, Marilla, NY (US)
- (73) Assignee: **CHAPIN MANUFACTURING, INC.**,
Batavia, NY (US)

| | | |
|--------------|---------|-----------------|
| 5,752,661 A | 5/1998 | Lewis |
| D406,313 S | 3/1999 | Prosper et al. |
| 6,412,707 B1 | 7/2002 | Wirz |
| 7,007,826 B2 | 3/2006 | Shapanus et al. |
| D527,789 S | 9/2006 | Thompson et al. |
| 7,104,468 B2 | 9/2006 | Stengel |
| 7,134,612 B2 | 11/2006 | Bertucci et al. |
| 7,207,500 B2 | 4/2007 | Hudson et al. |
| D547,416 S | 7/2007 | Hillhouse |
| D567,897 S | 4/2008 | Hillhouse |
| D570,447 S | 6/2008 | Hillhouse |
| D582,000 S | 12/2008 | Campbell |
| D590,043 S | 4/2009 | Campbell |
| D591,387 S | 4/2009 | Campbell |
| D594,087 S | 6/2009 | Campbell |

(**) Term: **14 Years**

(21) Appl. No.: **29/498,582**

(22) Filed: **Aug. 5, 2014**

(51) **LOC (10) Cl.** **23-01**

(52) **U.S. Cl.**
USPC **D23/225**

(58) **Field of Classification Search**
USPC D15/13; D23/202, 225, 203, 213;
222/175, 401, 465.1, 137, 383.1, 372,
222/385, 333; 239/152, 153, 154, 142, 333,
239/332, 175, 373; 92/187
CPC ... A62C 15/00; A01M 7/0046; B05B 9/0861;
B05B 9/0888; B05B 9/08; B05B 9/04; A45F
2003/045

See application file for complete search history.

(56) **References Cited**

U.S. PATENT DOCUMENTS

| | | |
|-------------|---------|-----------------|
| 1,081,648 A | 12/1913 | Adams |
| D190,773 S | 6/1961 | Koch |
| D229,612 S | 12/1973 | German |
| 4,690,331 A | 9/1987 | Luchsinger |
| 4,702,416 A | 10/1987 | Pagliai et al. |
| 4,702,419 A | 10/1987 | Luchsinger |
| 4,768,714 A | 9/1988 | Luchsinger |
| 4,798,333 A | 1/1989 | Luchsinger |
| D337,368 S | 7/1993 | Berfield et al. |
| 5,335,853 A | 8/1994 | Wirz |
| 5,671,884 A | 9/1997 | Restive |

(Continued)

OTHER PUBLICATIONS

U.S. Trademark Registration No. 2,587,356.

(Continued)

Primary Examiner — Mark Goodwin

(74) *Attorney, Agent, or Firm* — Kenneth J. Lukacher Law Group

(57) **CLAIM**

The ornamental design for a battery operated motor driven backpack sprayer, as shown and described.

DESCRIPTION

FIG. 1 is a perspective elevational view from the front of a battery operated motor driven backpack sprayer showing my design;

FIG. 2 is a perspective elevational view from the right side thereof;

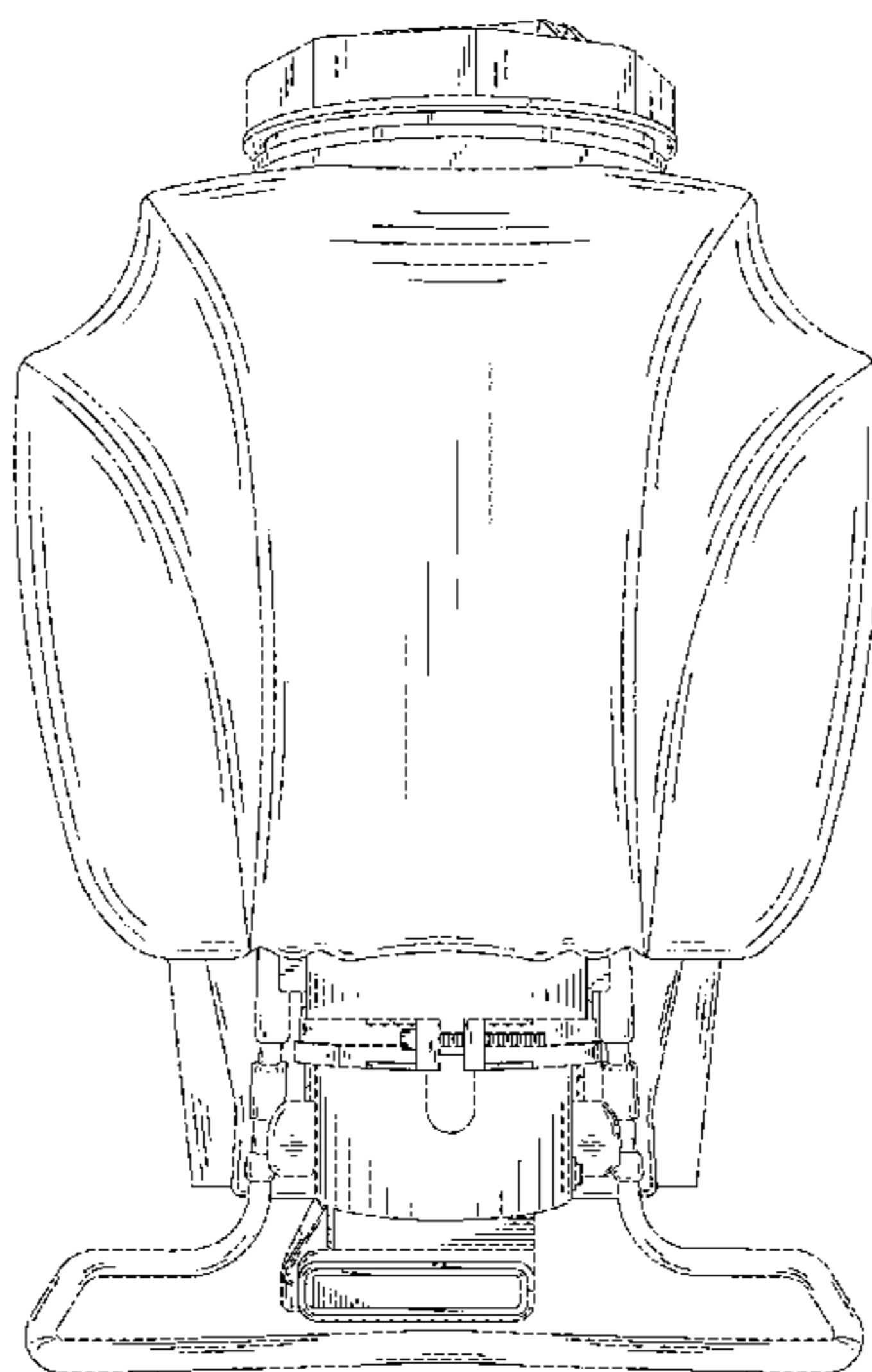
FIG. 3 is a perspective elevational view from the left side thereof;

FIG. 4 is a top view thereof;

FIG. 5 is a bottom view thereof; and,

FIG. 6 is a perspective elevational view from the rear thereof.

1 Claim, 6 Drawing Sheets



(56)

References Cited

U.S. PATENT DOCUMENTS

D604,386 S 11/2009 Campbell
 D609,773 S * 2/2010 Abernethy D23/202
 D616,959 S * 6/2010 Wu D23/202
 D618,300 S * 6/2010 Hudson D23/202
 7,789,329 B2 9/2010 Klein
 7,854,396 B2 * 12/2010 Wu B05B 9/0877
 239/152
 D633,984 S * 3/2011 Plantz D23/202
 D639,388 S * 6/2011 Plantz D23/225
 D660,942 S * 5/2012 Hudson D23/225
 D664,236 S * 7/2012 Hudson D23/225
 D669,965 S * 10/2012 Fontaine D23/225
 D670,788 S * 11/2012 Plantz D23/225
 D672,848 S * 12/2012 Wirz Luchsinger D23/202
 D685,057 S * 6/2013 Wirz Luchsinger D23/202
 8,596,555 B2 12/2013 Thompson et al.
 8,616,466 B2 * 12/2013 Strauss A01M 7/0046
 222/175

8,672,364 B2 3/2014 Schrum et al.
 D719,637 S * 12/2014 Pagliai D23/225
 D719,638 S * 12/2014 Pagliai D23/225
 D719,639 S * 12/2014 Pagliai D23/225
 D721,161 S * 1/2015 Yam D23/225
 D725,742 S * 3/2015 Kennemer D23/225
 D731,027 S * 6/2015 Sanz Perez D23/225

OTHER PUBLICATIONS

U.S. Trademark Registration No. 2,596,935.
 U.S. Trademark Registration No. 3,311,675.
 Solo, Online Troubleshooting/Resource Center, Website page at
<http://www.solousa.com/support/kbase/topic.php?id=20>, printed
 Mar. 29, 2006.
 Chapin International, Inc., Chapin Retail Sprayer Catalog, pp. 1-3, at
 least as early as Jul. 31, 2014.
 Amazon.com: Black & Decker LBXR2020-OPE 2.0 Ah Lithium
 Battery Pack, 20-volt, Website page printed Aug. 4, 2014.

* cited by examiner

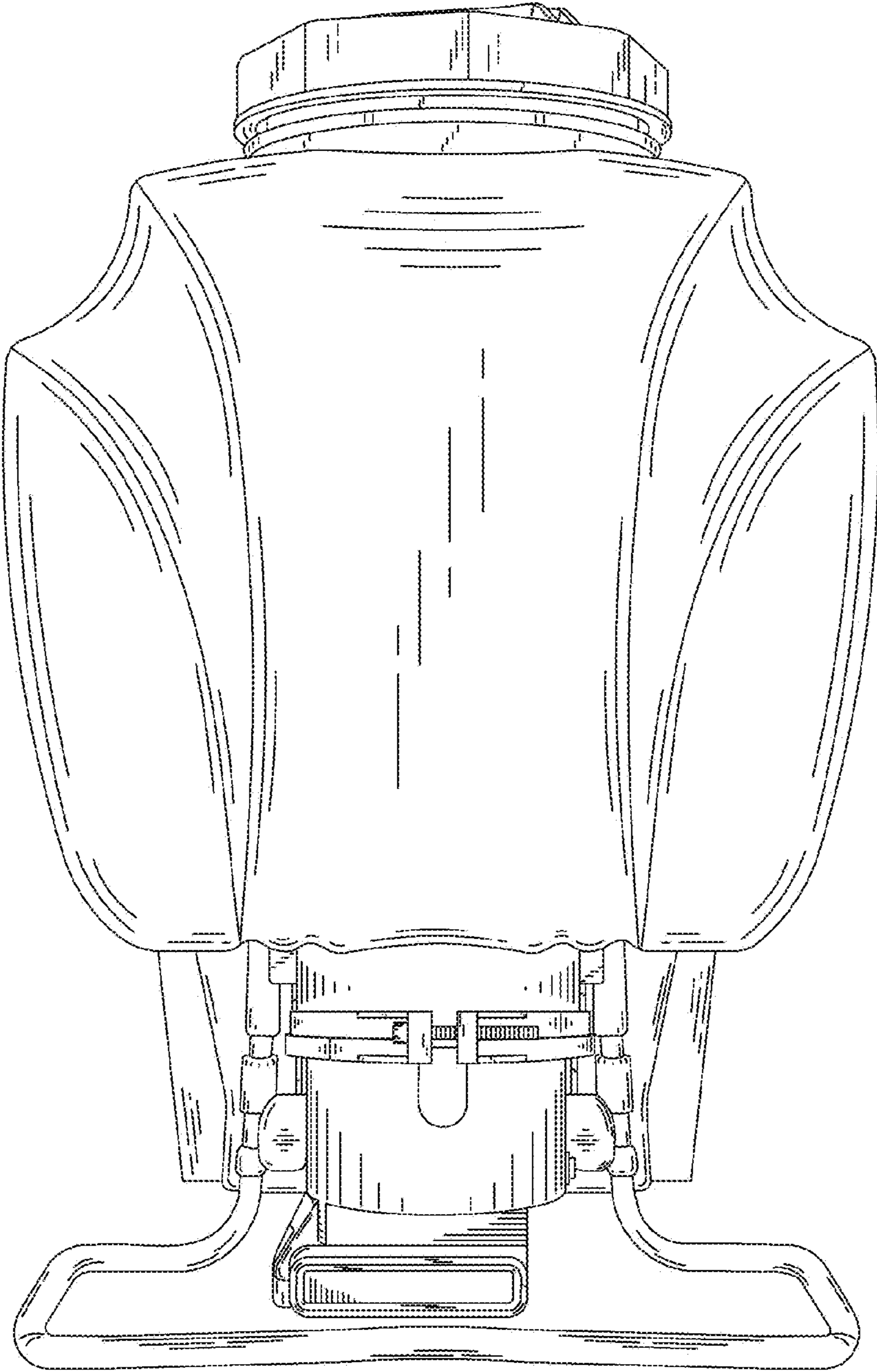


FIG. 1

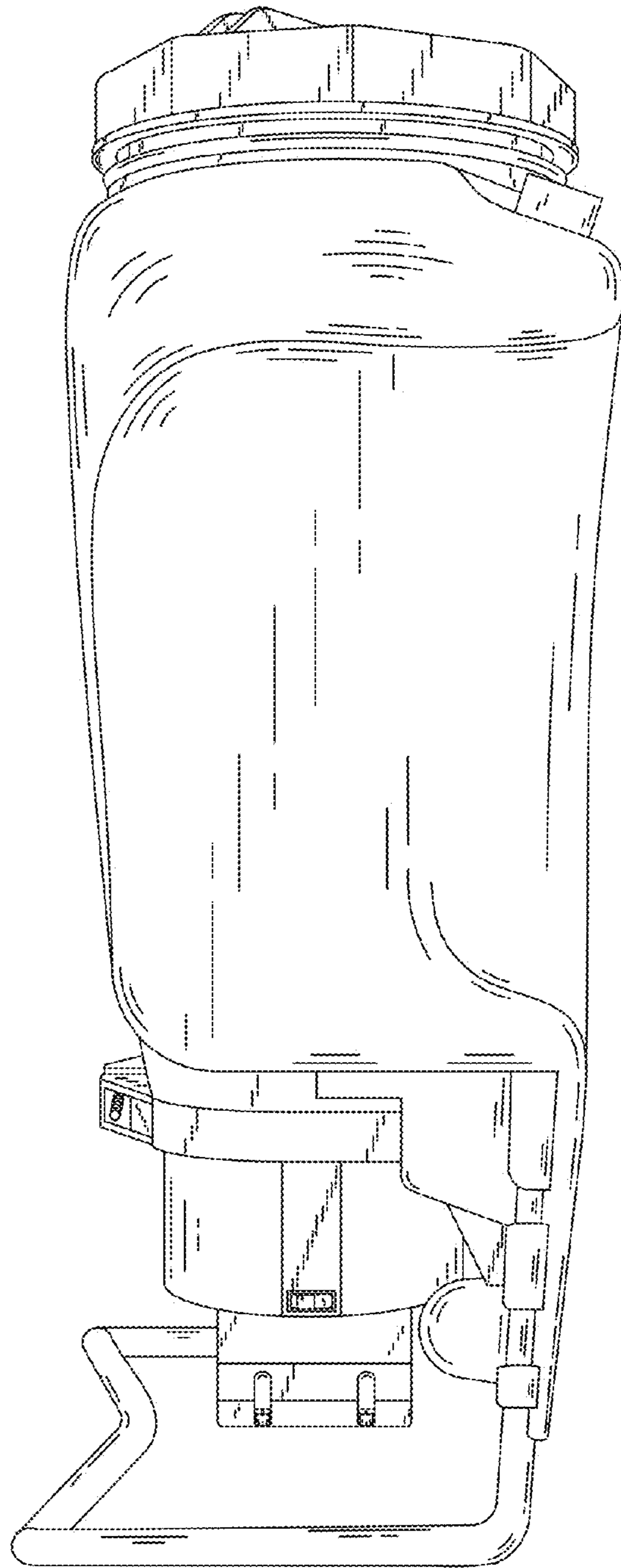


FIG. 2

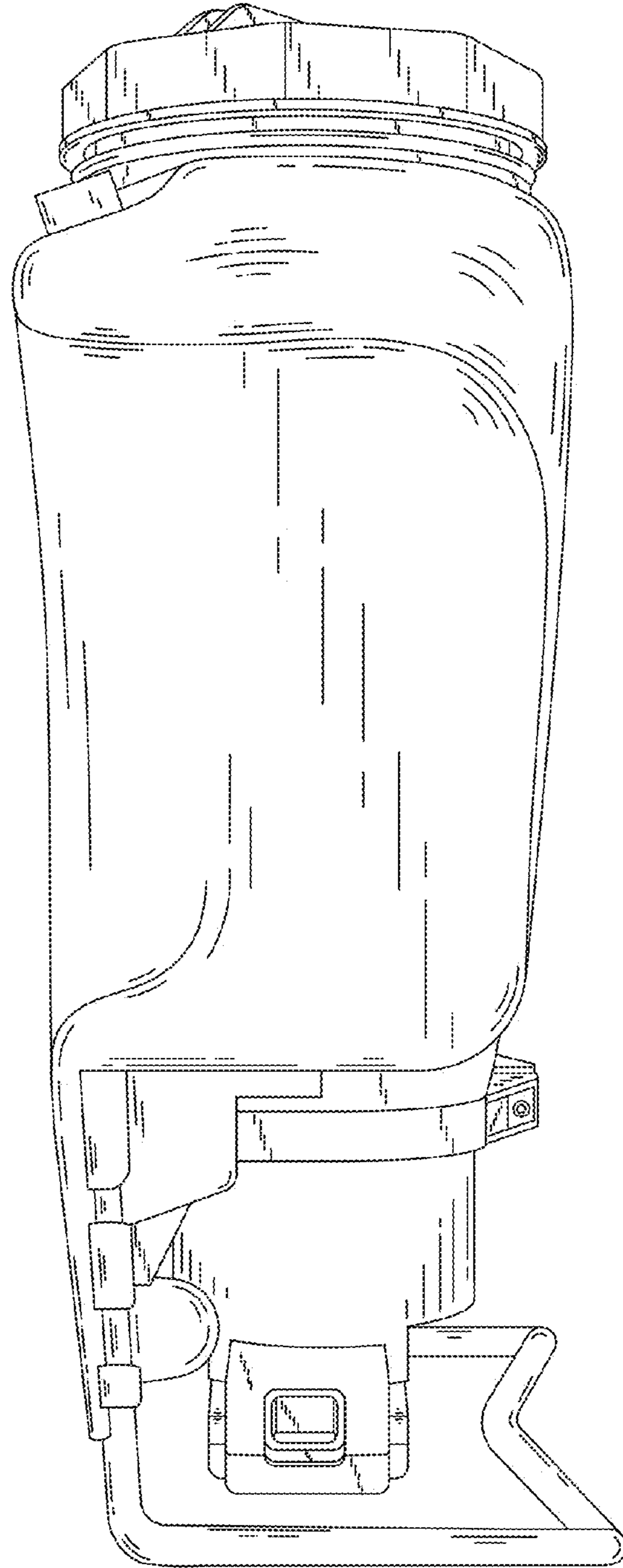


FIG. 3

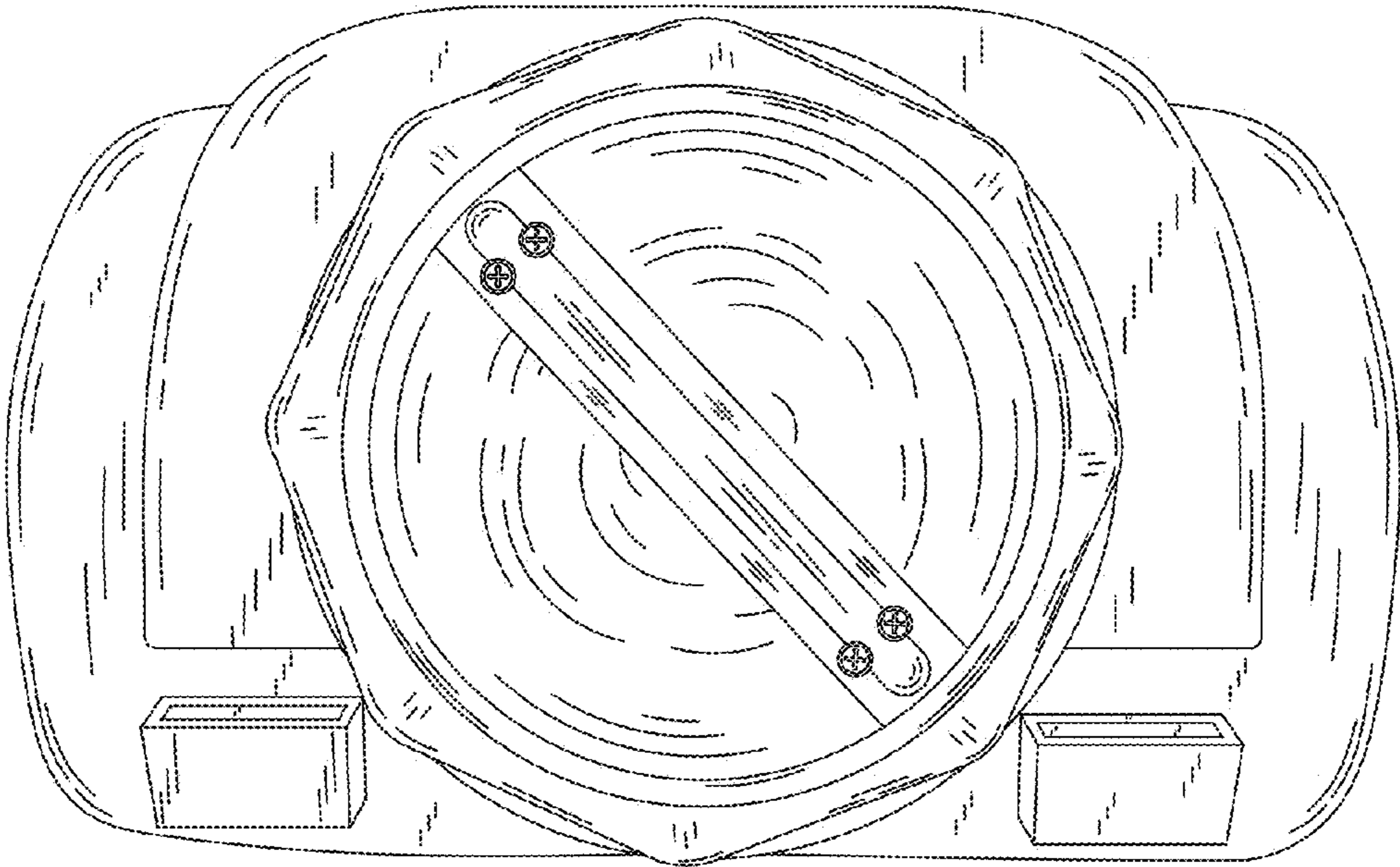


FIG. 4

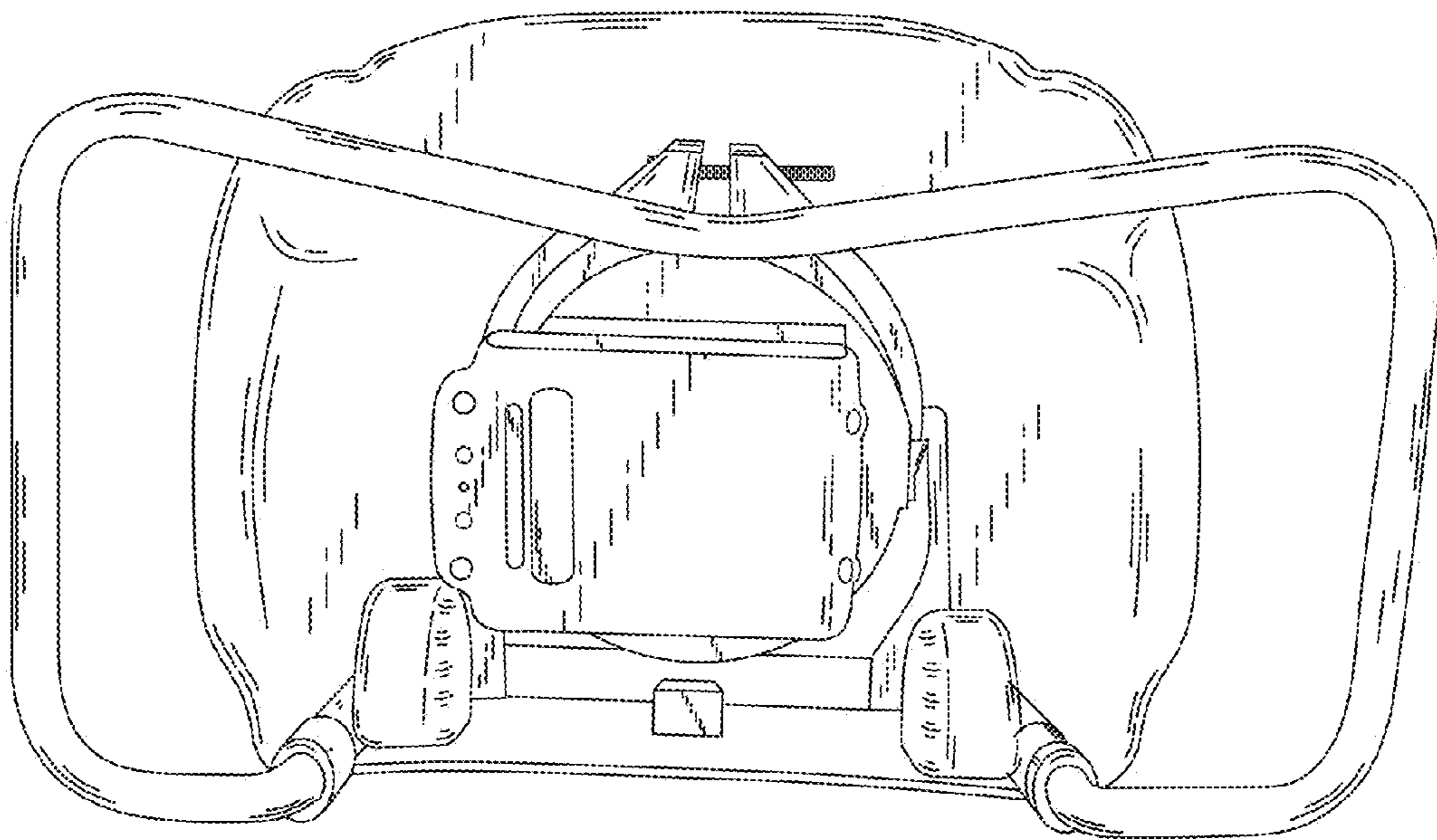


FIG. 5

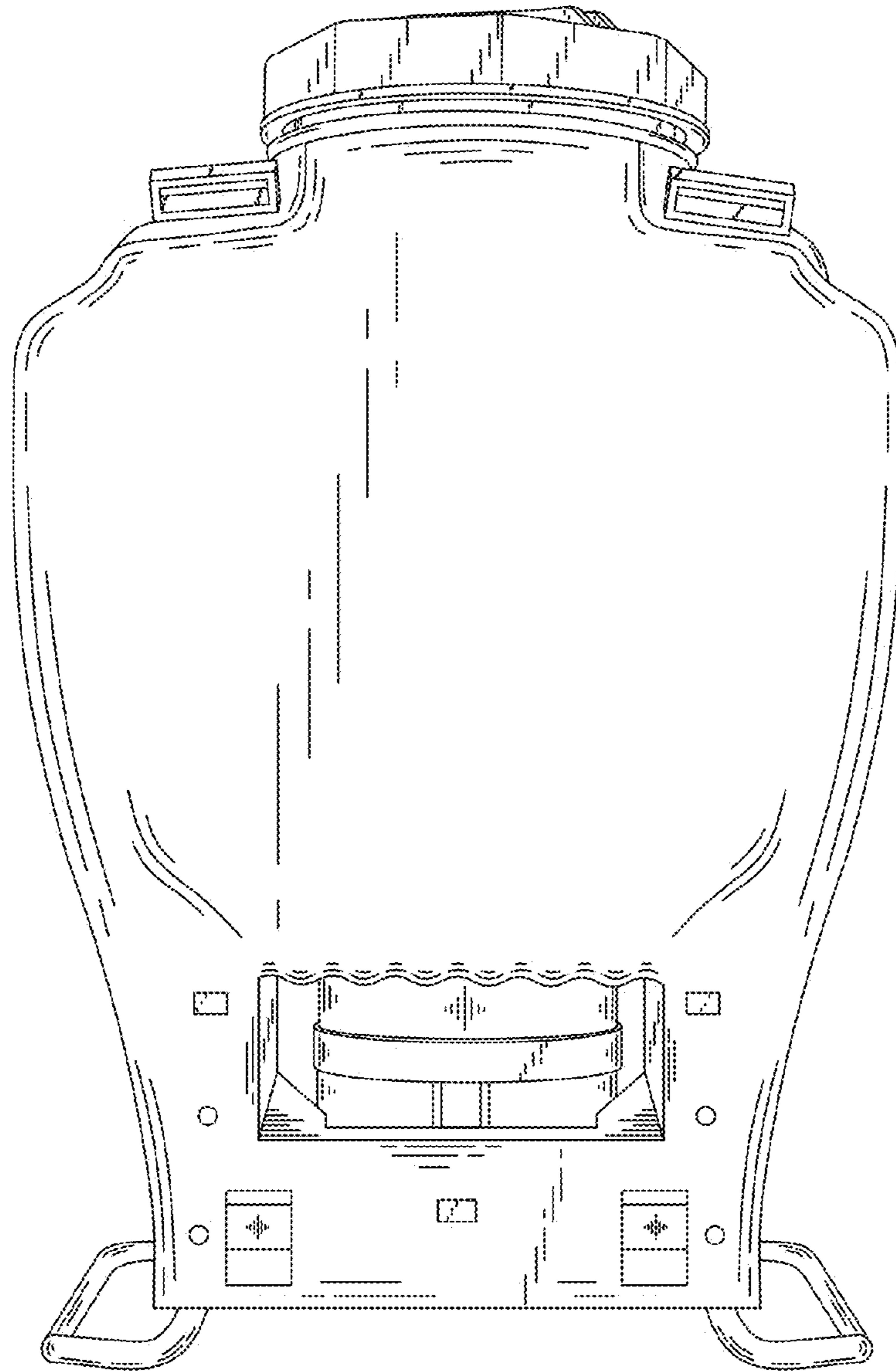


FIG. 6