



US00D749191S

(12) **United States Design Patent**
Strange

(10) **Patent No.:** **US D749,191 S**
(45) **Date of Patent:** **** Feb. 9, 2016**

- (54) **STILL FOUNTAIN**
- (71) Applicant: **Rick Strange**, Chehalis, WA (US)
- (72) Inventor: **Rick Strange**, Chehalis, WA (US)
- (**) Term: **14 Years**
- (21) Appl. No.: **29/508,114**
- (22) Filed: **Nov. 3, 2014**
- (51) **LOC (10) Cl.** **23-01**
- (52) **U.S. Cl.**
USPC **D23/201**
- (58) **Field of Classification Search**
USPC D23/201; D11/133; 239/17-21
CPC B05B 17/08
See application file for complete search history.

6,053,422 A * 4/2000 Polzin, Jr. B05B 17/08
239/17
D555,755 S * 11/2007 Christensen D23/201
D590,042 S * 4/2009 Hoskins D23/201

* cited by examiner

Primary Examiner — Robin V Webster
(74) *Attorney, Agent, or Firm* — Deana Craine; Marisa Whitaker

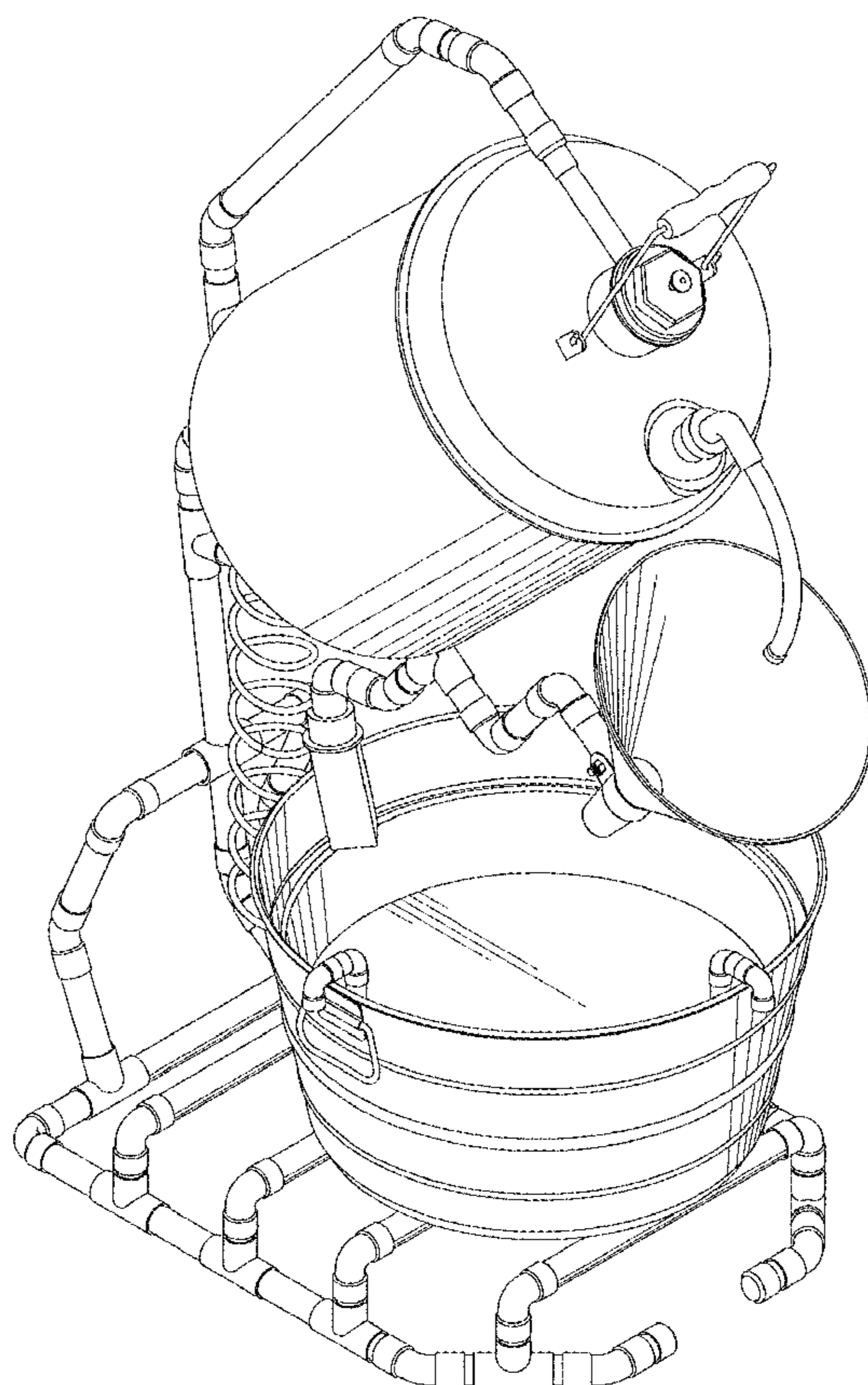
(57) **CLAIM**
The ornamental design for a still fountain, as shown and described.

DESCRIPTION

FIG. 1 is a front, top perspective view of a still fountain.
FIG. 2 is a left side elevational view of the still fountain as shown in FIG. 1.
FIG. 3 is a right side elevational view of the still fountain as shown in FIG. 1.
FIG. 4 is a front elevational view of the still fountain as shown in FIG. 1.
FIG. 5 is a rear elevational view of the still fountain as shown in FIG. 1.
FIG. 6 is a top plan view of the still fountain as shown in FIG. 1; and,
FIG. 7 is a bottom plan view of the still fountain as shown in FIG. 1.

- (56) **References Cited**
U.S. PATENT DOCUMENTS
4,413,778 A * 11/1983 Middlemiss B05B 17/08
239/17
D386,239 S * 11/1997 Dennis D11/149
5,695,119 A * 12/1997 Lien B05B 3/0486
239/16

1 Claim, 6 Drawing Sheets



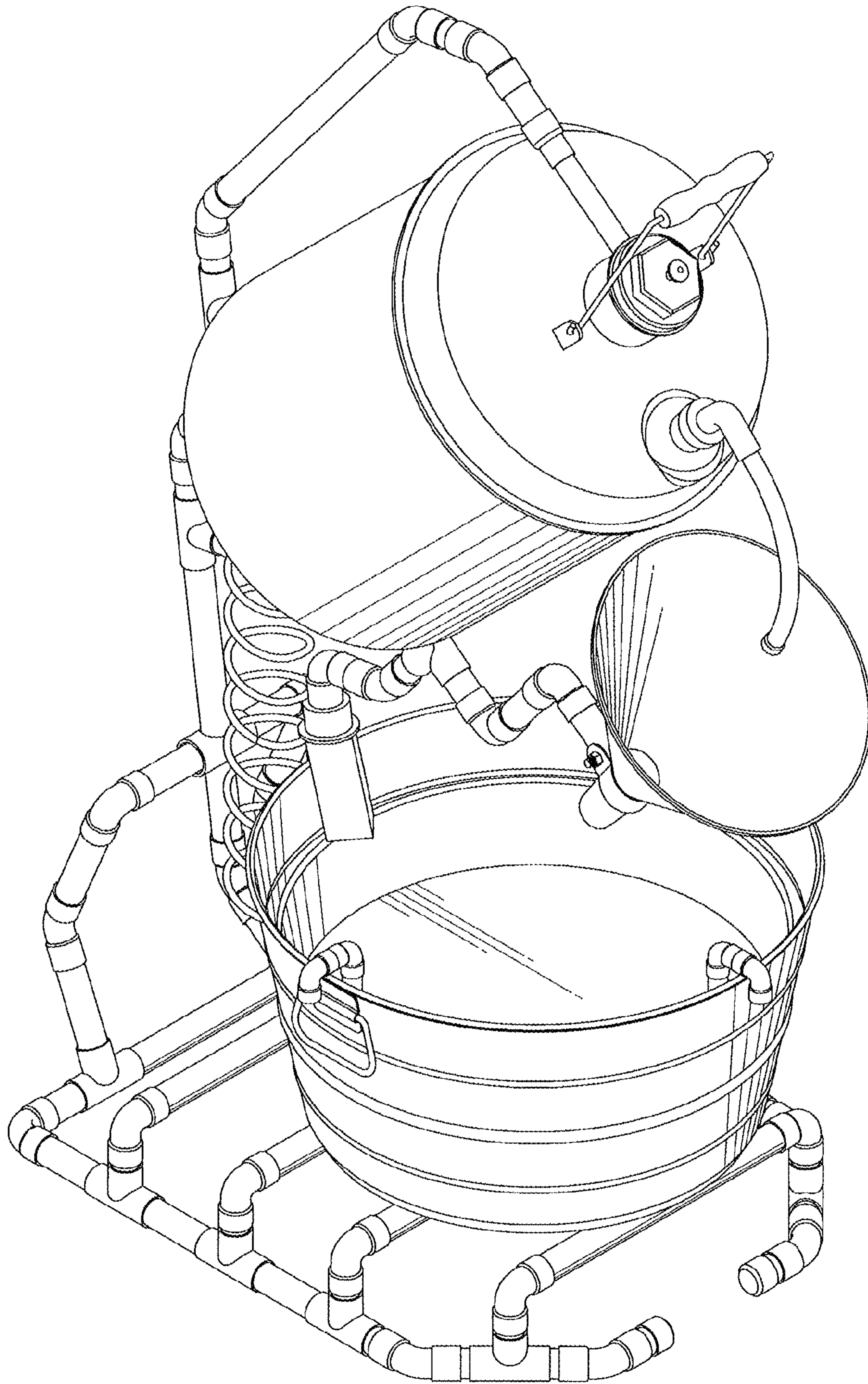


Fig. 1

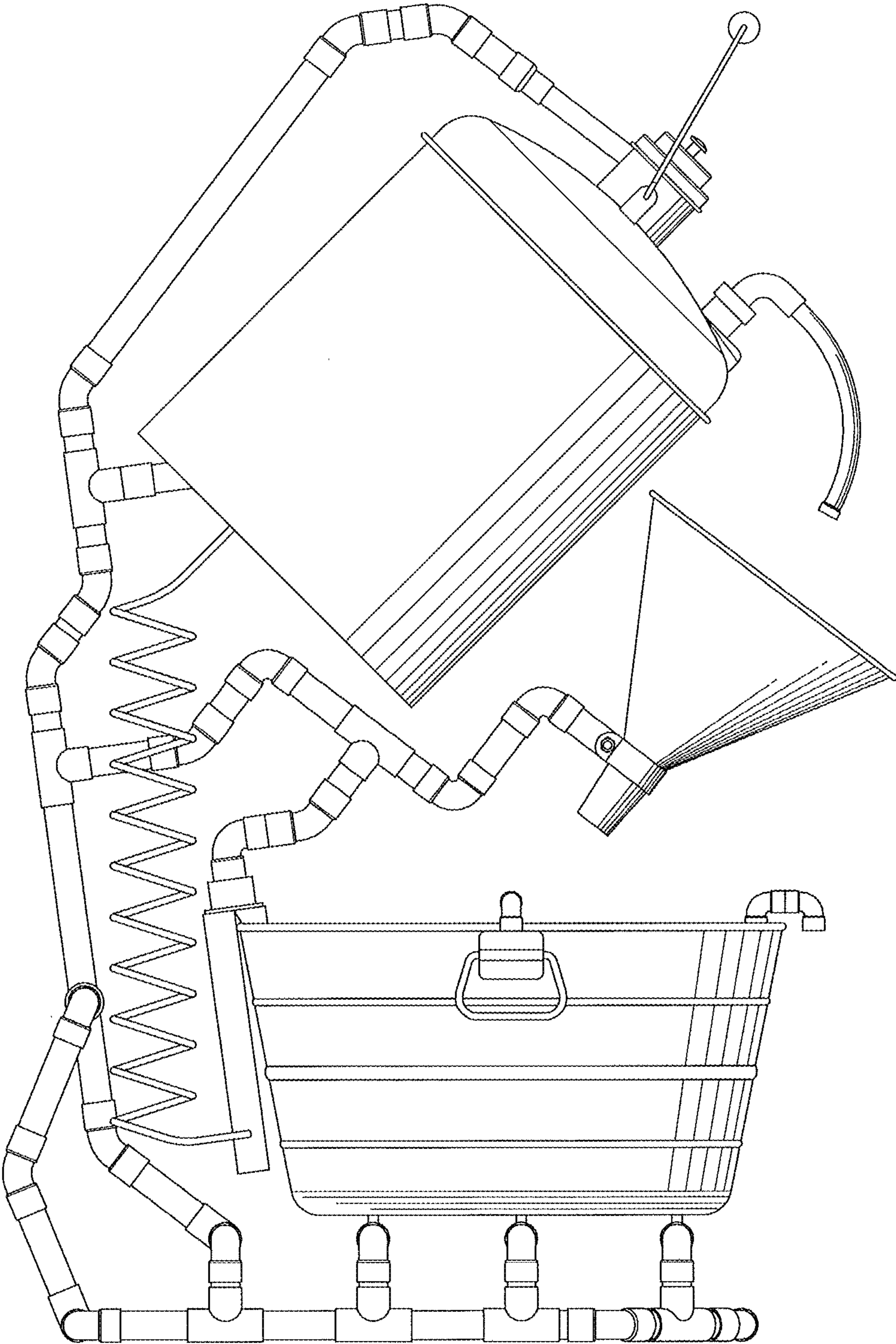


Fig. 2

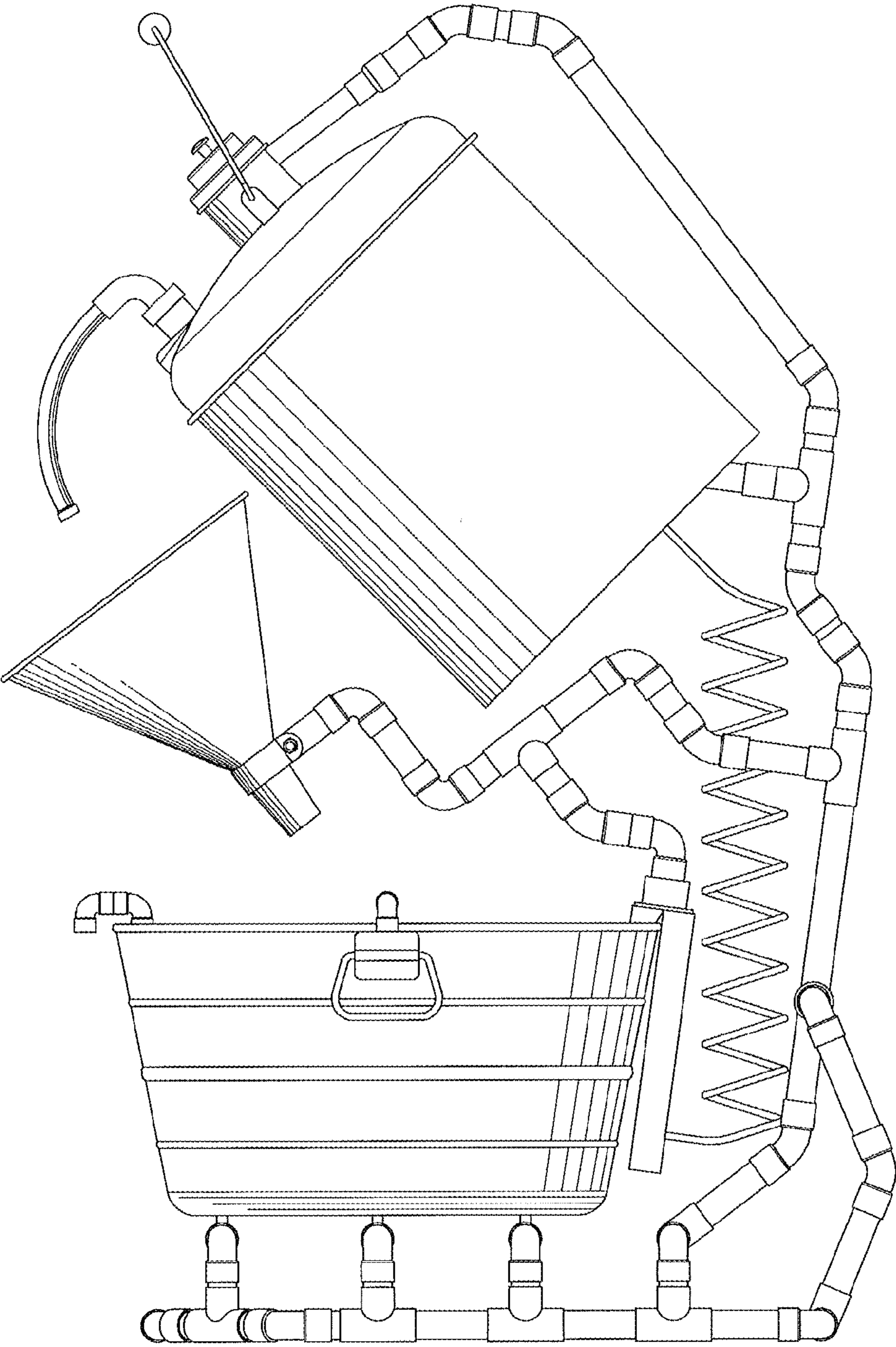


Fig. 3

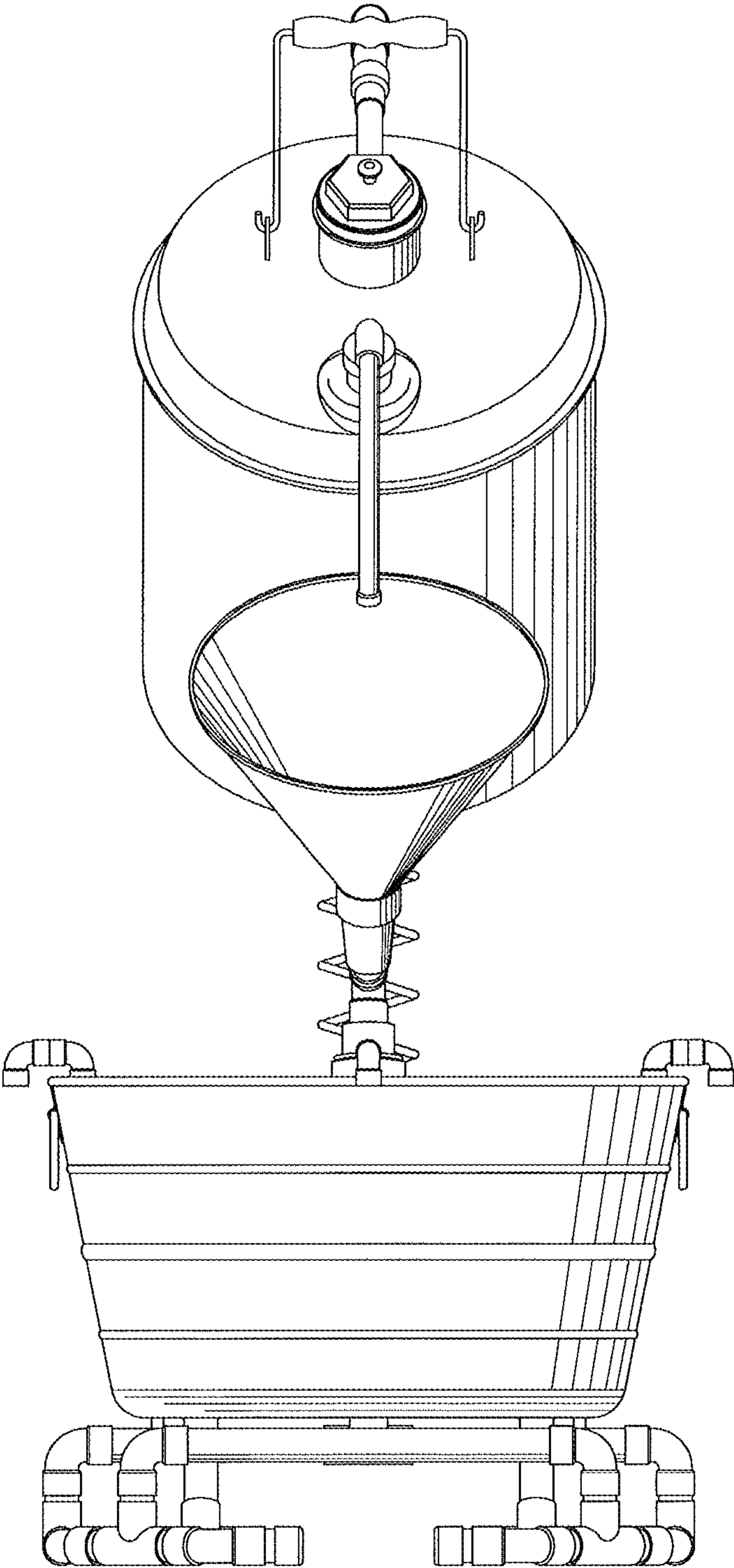


Fig. 4

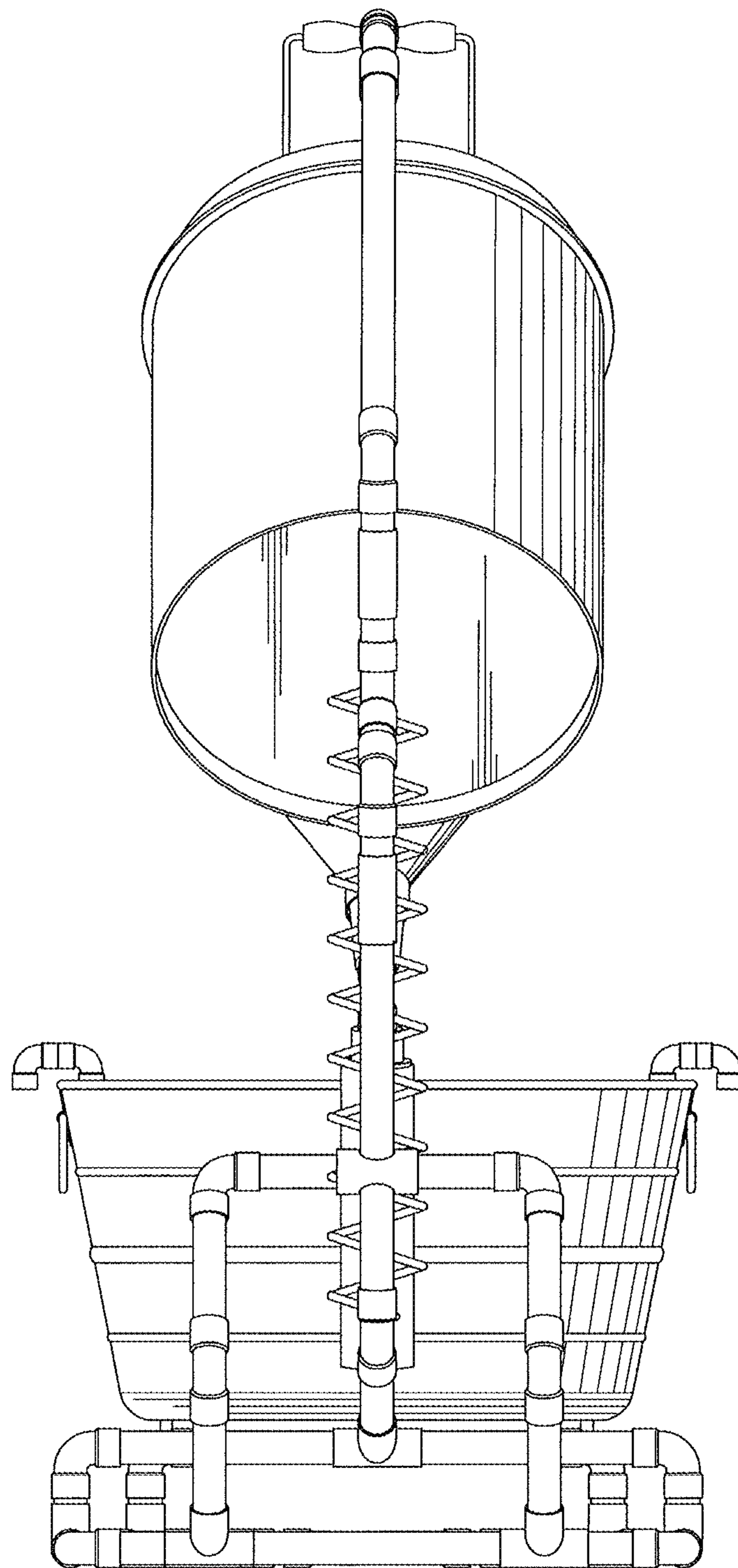


Fig. 5

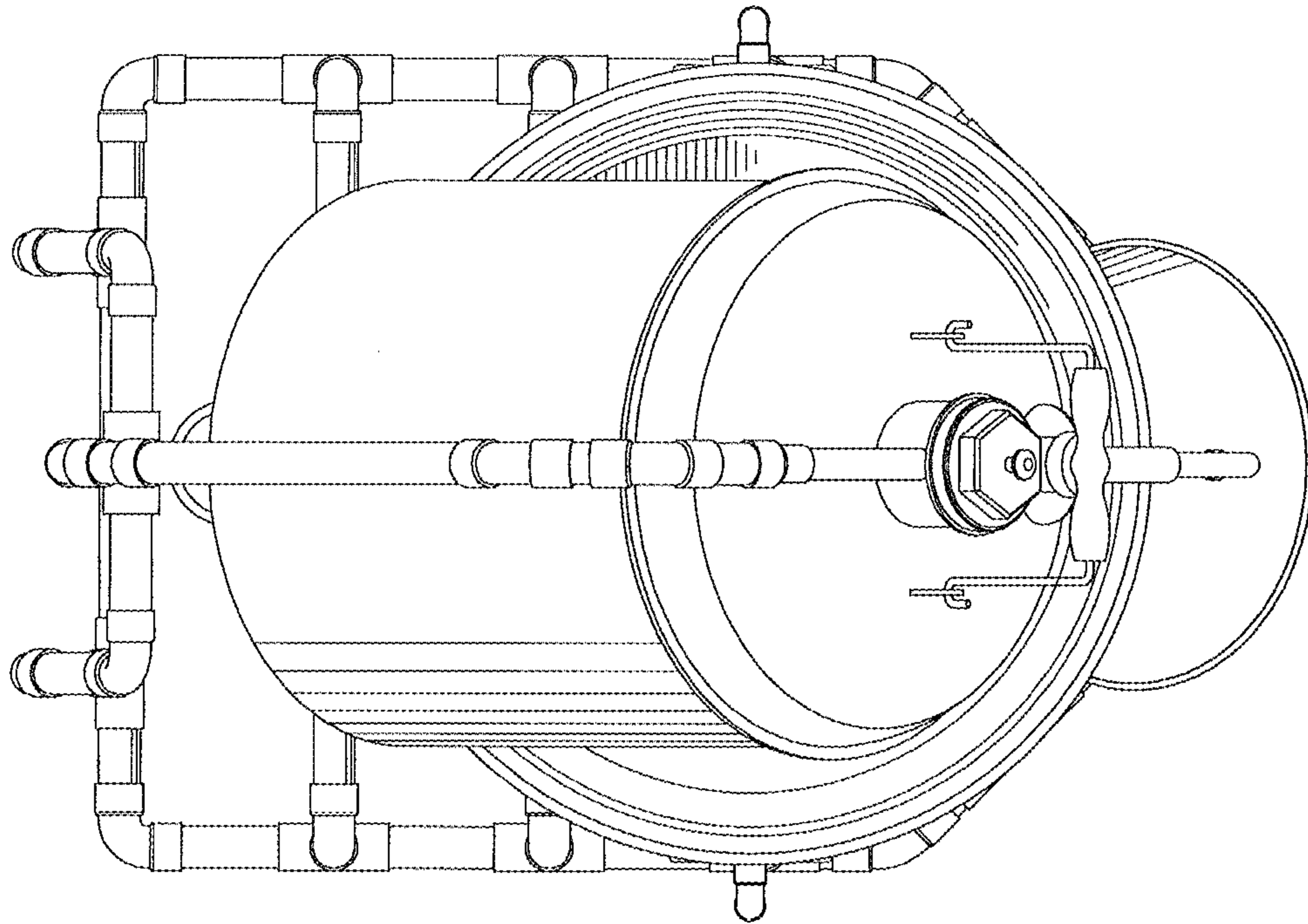


Fig. 6

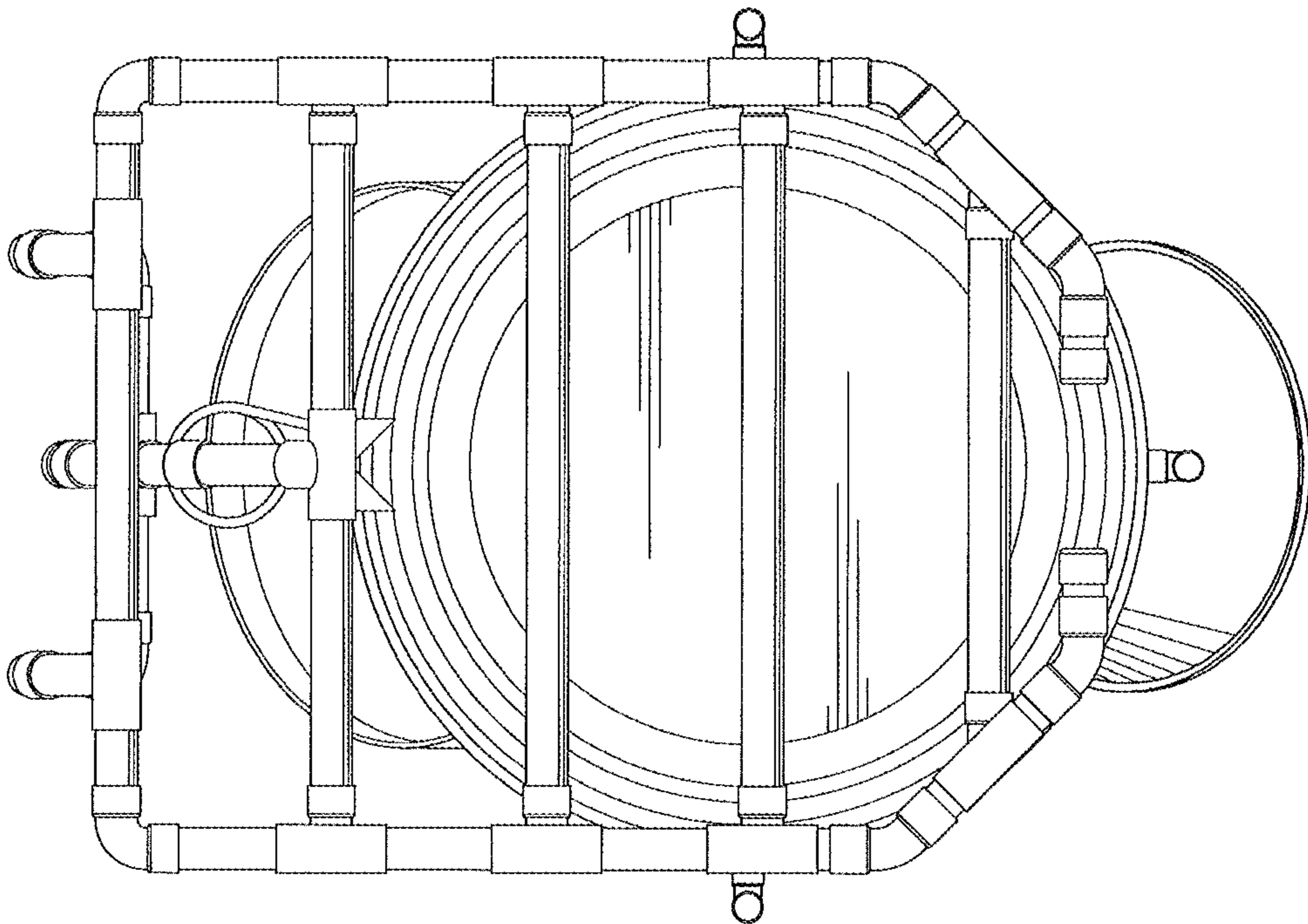


Fig. 7