



US00D749189S

(12) **United States Design Patent**
Noraker

(10) **Patent No.:** **US D749,189 S**
(45) **Date of Patent:** **** Feb. 9, 2016**

(54) **DUAL TRIGGER FISHING ROD HANDLE**

(71) Applicant: **Wright & McGill Co.**, Denver, CO (US)

(72) Inventor: **Alan G. Noraker**, Westminster, CO (US)

(73) Assignee: **WRIGHT & MCGILL CO.**, Denver, CO (US)

(**) Term: **14 Years**

(21) Appl. No.: **29/495,083**

(22) Filed: **Jun. 26, 2014**

(51) **LOC (10) Cl.** **22-05**

(52) **U.S. Cl.**
USPC **D22/142**

(58) **Field of Classification Search**
USPC D22/137-142; 43/18.1 R, 22-23
See application file for complete search history.

(56) **References Cited**

U.S. PATENT DOCUMENTS

4,077,150	A *	3/1978	Barnes	43/23
4,903,427	A	2/1990	Yamato		
4,905,400	A	3/1990	Brackett et al.		
4,916,848	A	4/1990	Childre		
5,012,607	A	5/1991	Meschkat		
5,363,586	A	11/1994	Balkenbush		
5,375,364	A	12/1994	Nakagawa		
5,396,727	A	3/1995	Furuya et al.		
D400,962	S *	11/1998	Pingel	D22/142
6,016,982	A	1/2000	Asano et al.		
6,105,302	A	8/2000	Yamamoto et al.		
6,154,998	A	12/2000	Hashimoto et al.		
6,347,477	B1	2/2002	Hopper		
6,378,238	B1 *	4/2002	Lu	43/18.1 R
6,848,209	B2	2/2005	Ohmura		
6,973,750	B1	12/2005	Kim		
7,621,067	B2	11/2009	Ito		
D607,533	S *	1/2010	Ezuka et al.	D22/142
D668,737	S *	10/2012	Ito	D22/142

* cited by examiner

Primary Examiner — Catheri Oliver-Garcia

(74) *Attorney, Agent, or Firm* — Sheridan Ross P.C.

(57) **CLAIM**

The ornamental design for a dual trigger fishing rod handle, as shown and described.

DESCRIPTION

FIG. 1 is a rear right perspective view of the dual trigger fishing rod handle in a fishing rod environment, showing my new design;

FIG. 2 is a rear left perspective view of the dual trigger fishing rod handle in a fishing rod environment;

FIG. 3 is a front left perspective view of the dual trigger fishing rod handle in a fishing rod environment;

FIG. 4 is a front elevation view of the dual trigger fishing rod handle in a fishing rod environment;

FIG. 5 is a rear elevation view of the dual trigger fishing rod handle in a fishing rod environment;

FIG. 6 is a top plan view of the dual trigger fishing rod handle in a fishing rod environment;

FIG. 7 is a bottom plan view of the dual trigger fishing rod handle in a fishing rod environment;

FIG. 8 is a left elevation view of the dual trigger fishing rod handle in a fishing rod environment;

FIG. 9 is a right elevation view of the dual trigger fishing rod handle in a fishing rod environment;

FIG. 10 is a rear right perspective view of the dual trigger fishing rod handle;

FIG. 11 is a rear left perspective view of the dual trigger fishing rod handle;

FIG. 12 is a front left perspective view of the dual trigger fishing rod handle;

FIG. 13 is a front elevation view of the dual trigger fishing rod handle;

FIG. 14 is a rear elevation view of the dual trigger fishing rod handle;

FIG. 15 is a top plan view of the dual trigger fishing rod handle;

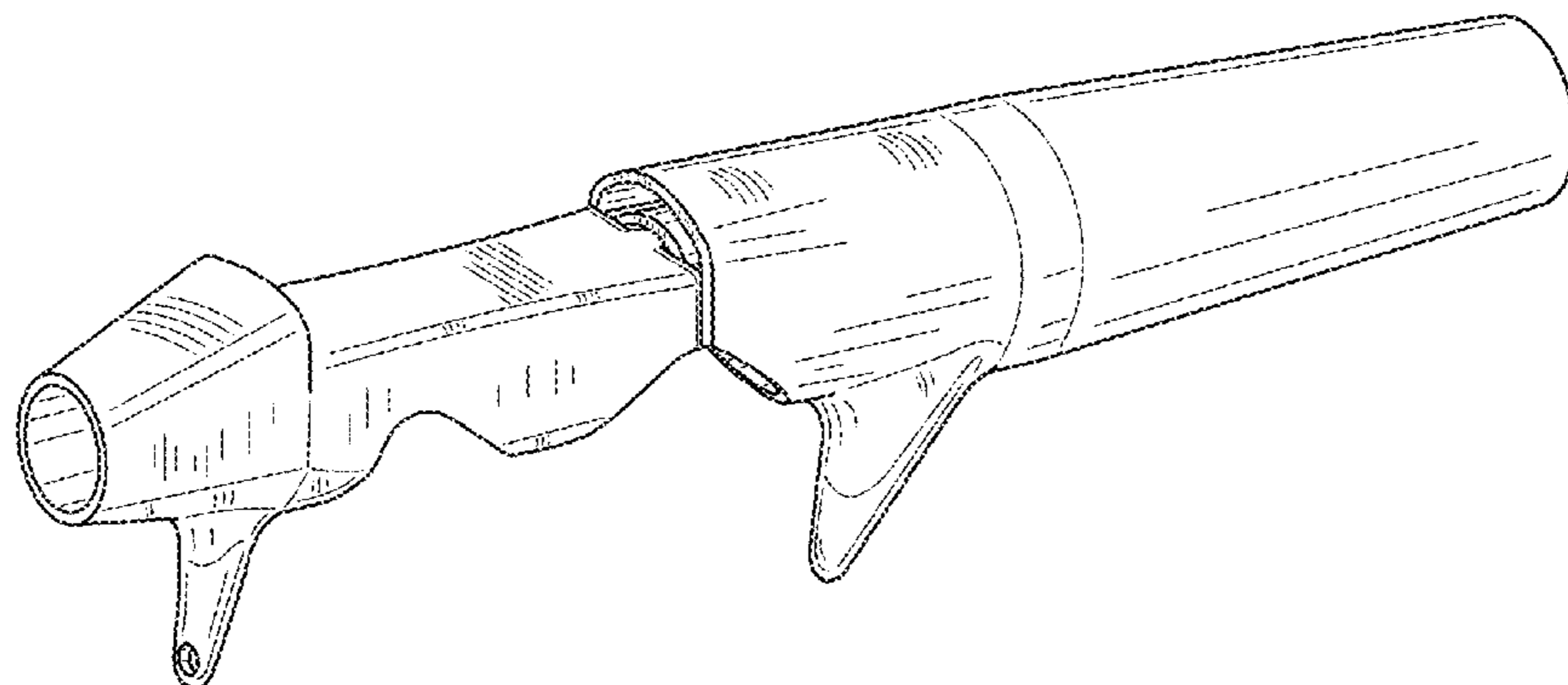
FIG. 16 is a bottom plan view of the dual trigger fishing rod handle;

FIG. 17 is a left elevation view of the dual trigger fishing rod handle; and,

FIG. 18 is a right elevation view of the dual trigger fishing rod handle.

The broken lines comprise environmental structure or boundary only and form no part of the claimed design.

1 Claim, 16 Drawing Sheets



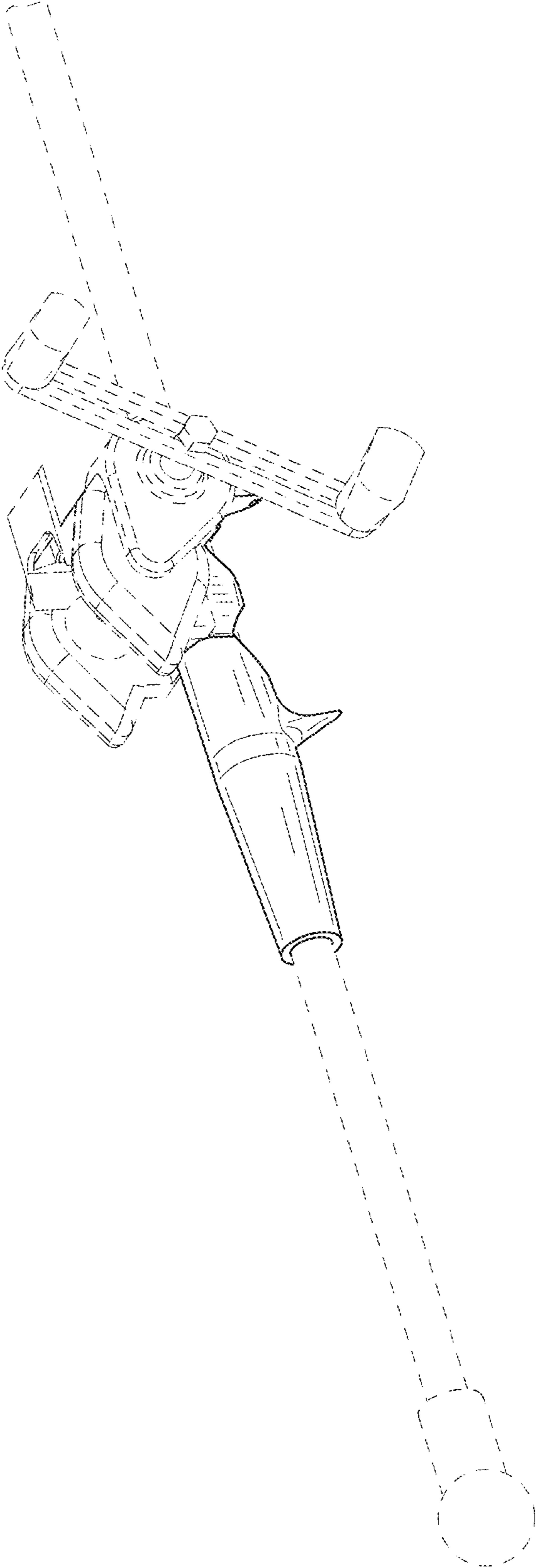


FIG.1

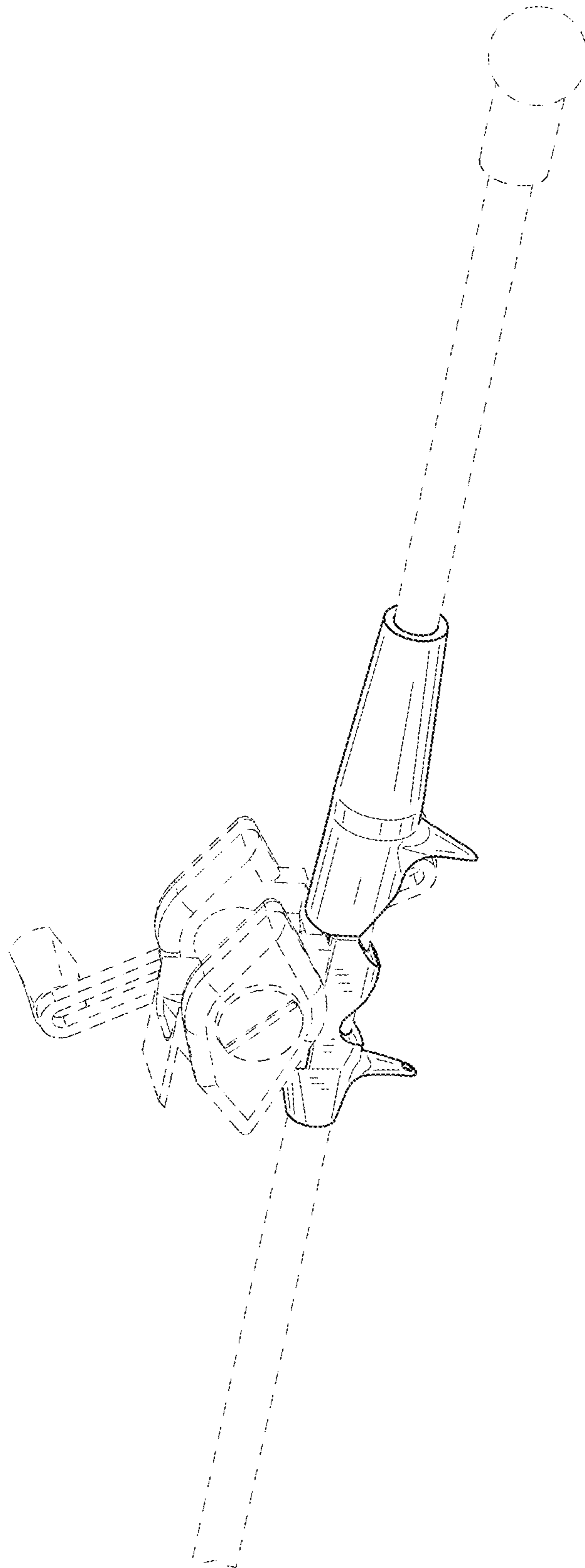


FIG.2

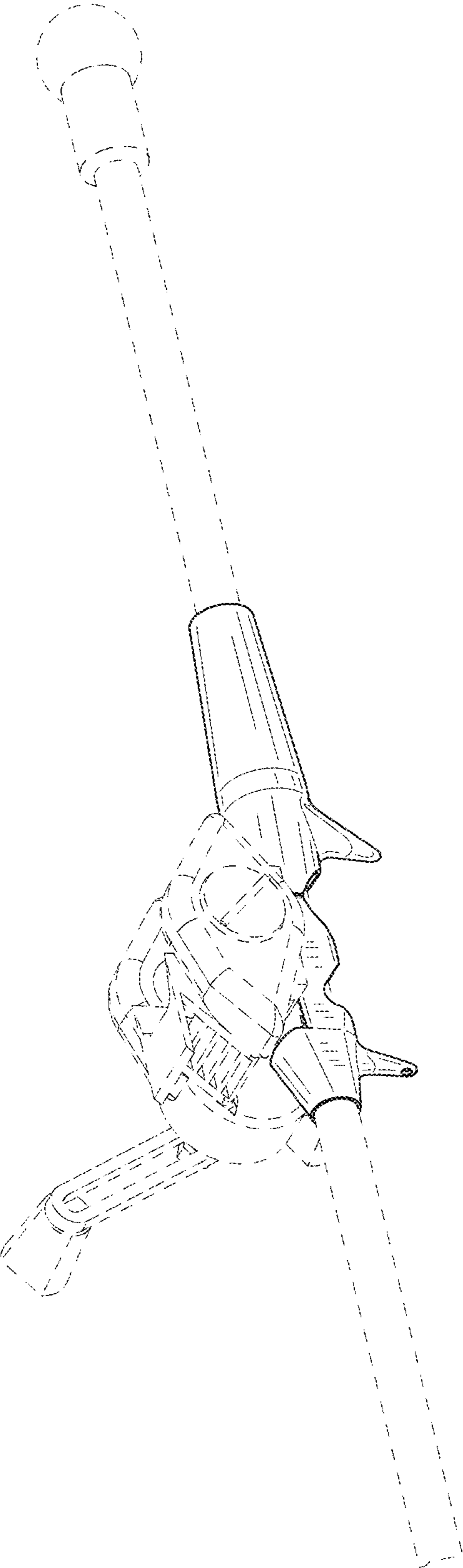


FIG.3

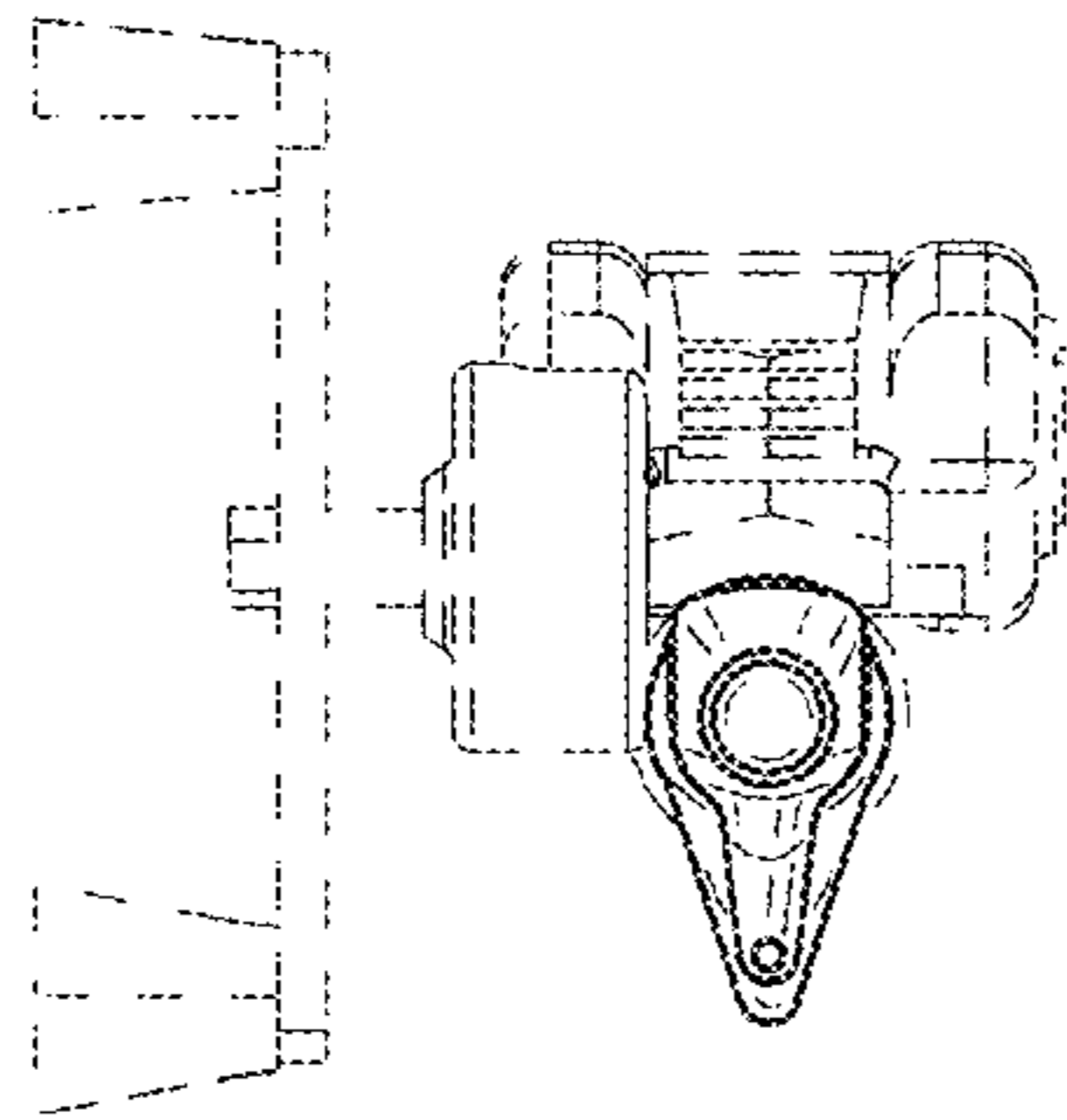


FIG.4

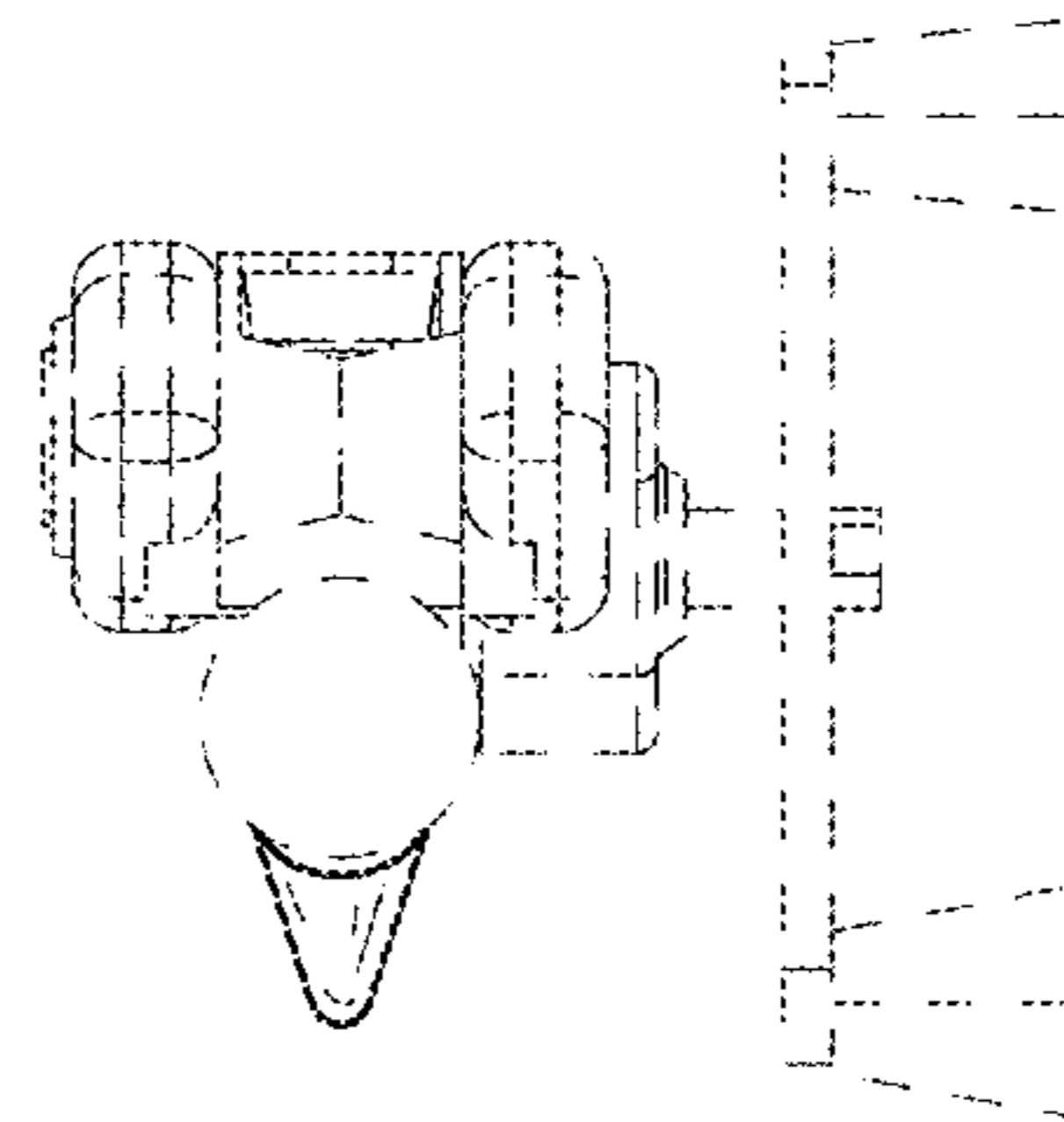


FIG.5

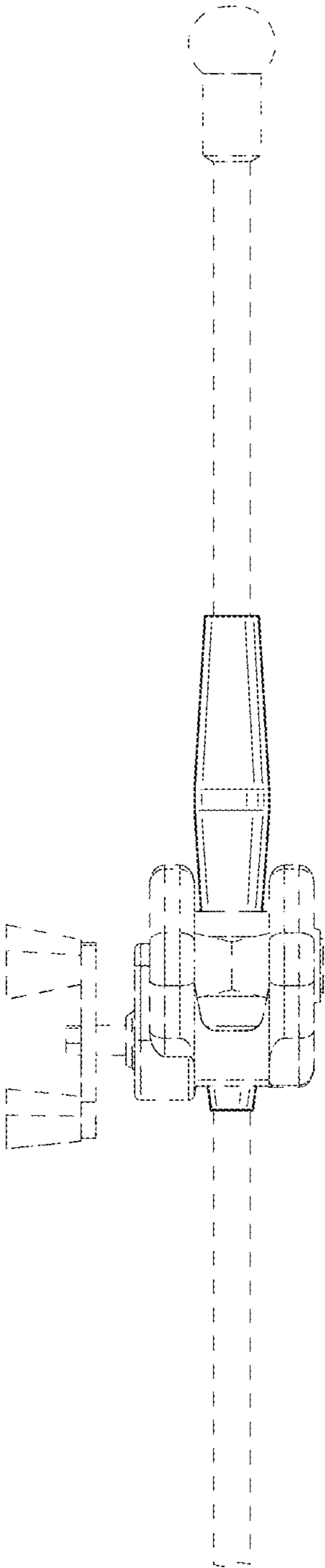


FIG.6

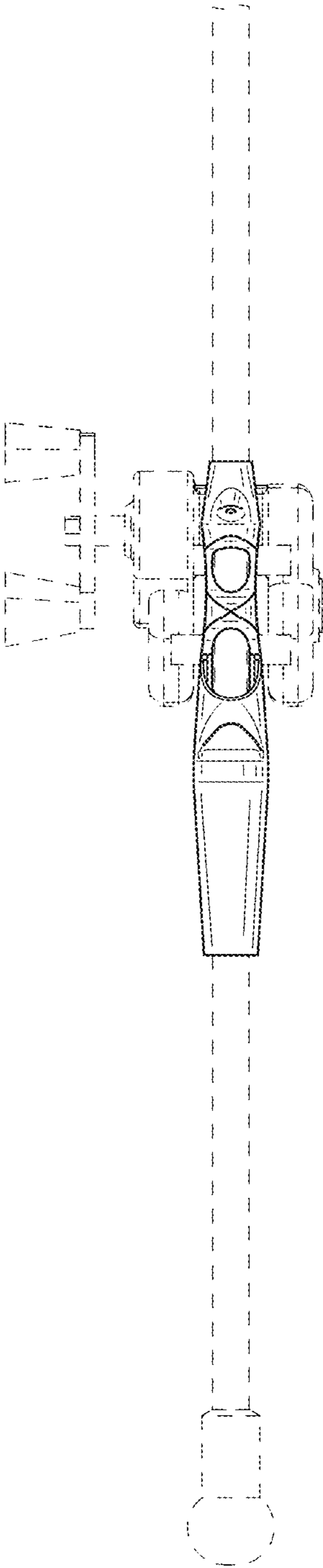


FIG. 7

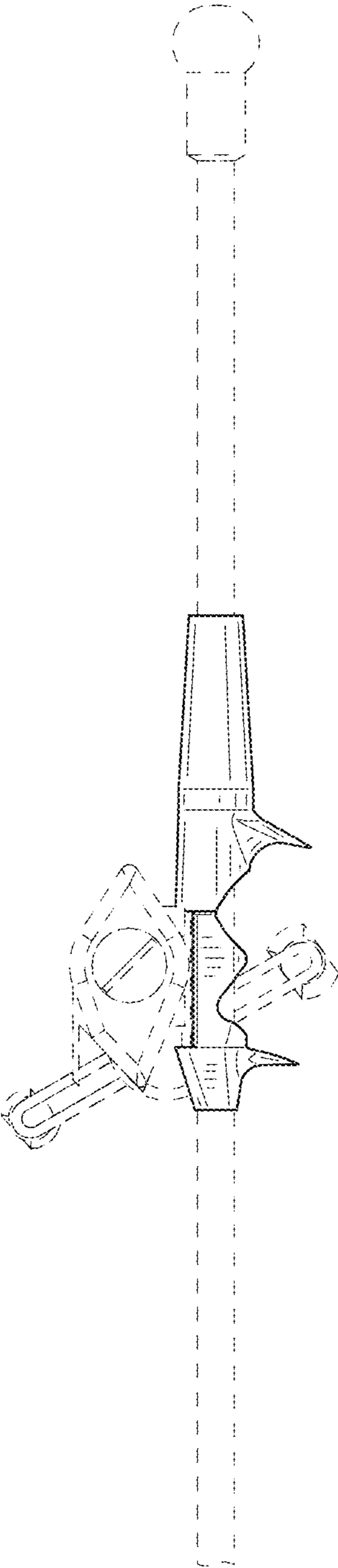


FIG. 8

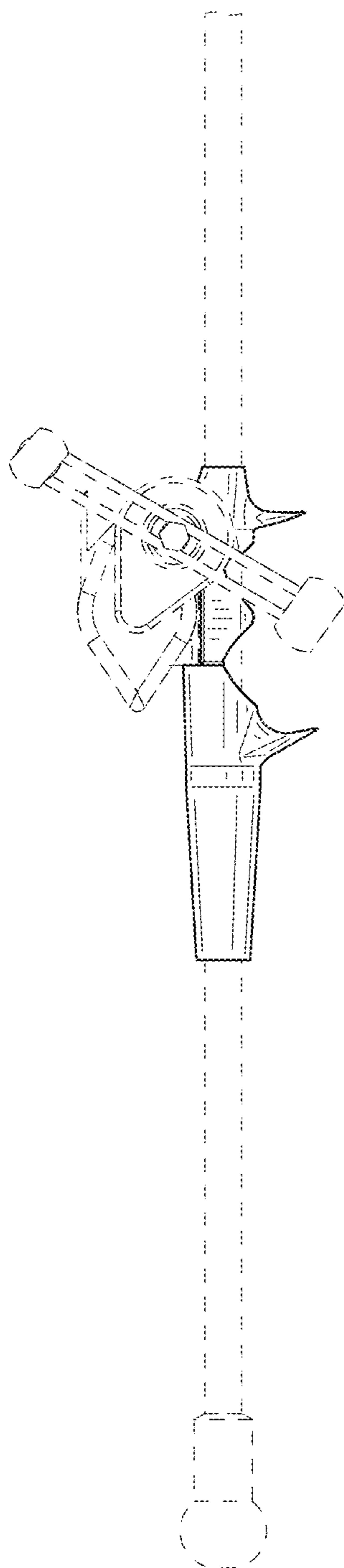


FIG. 9

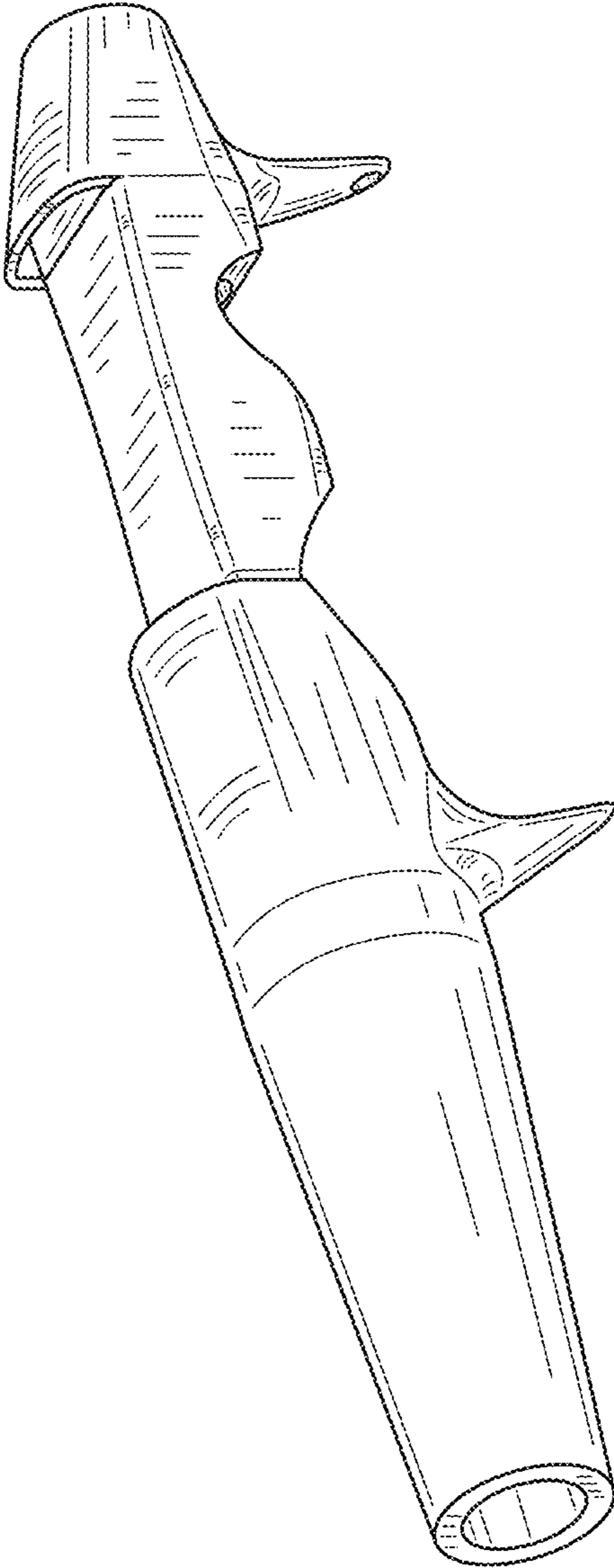


FIG.10

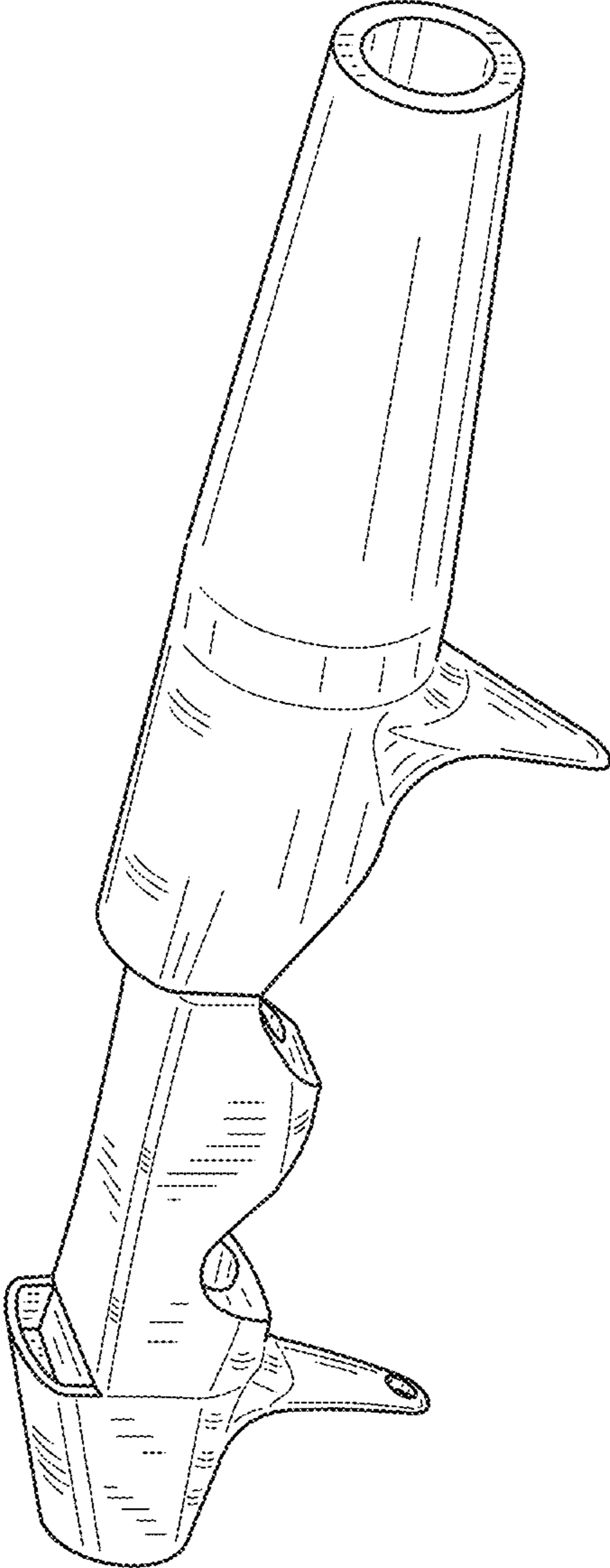


FIG.11

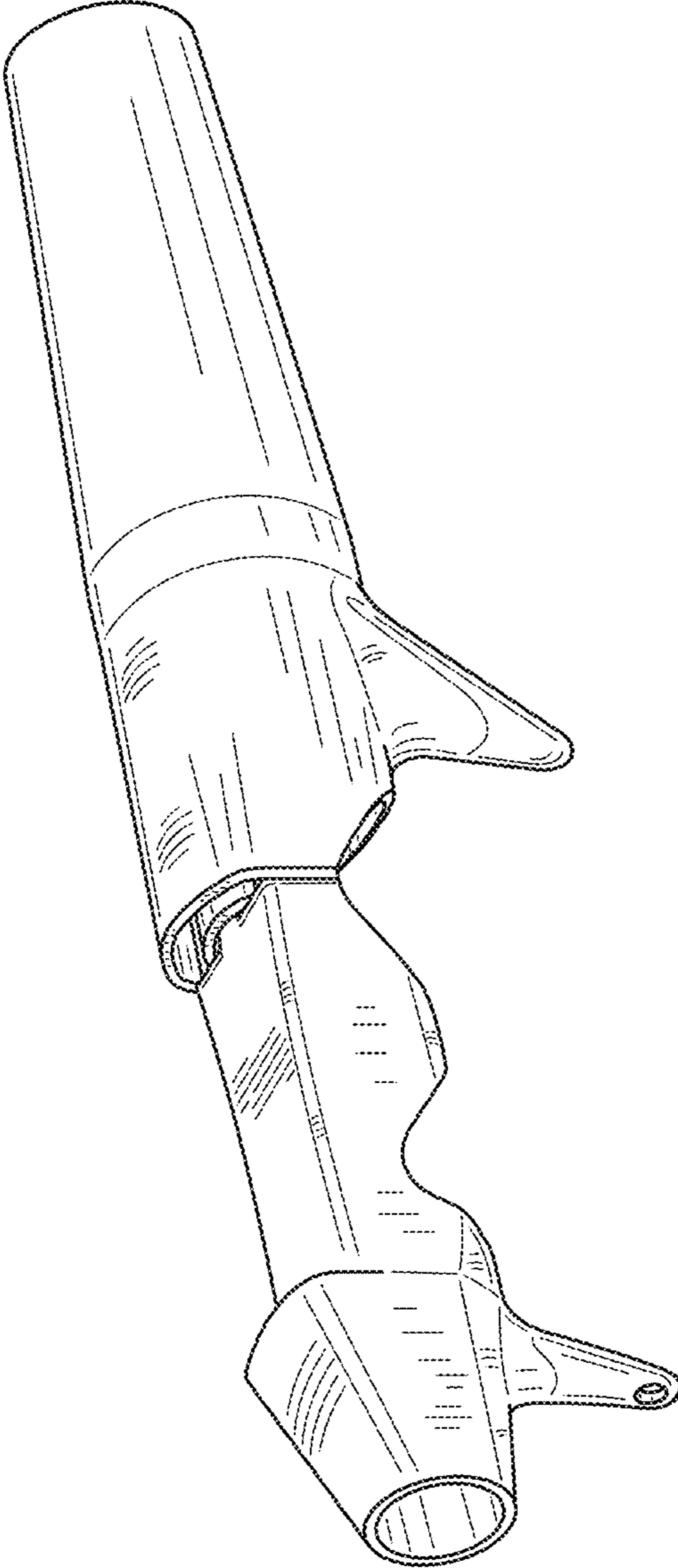


FIG.12

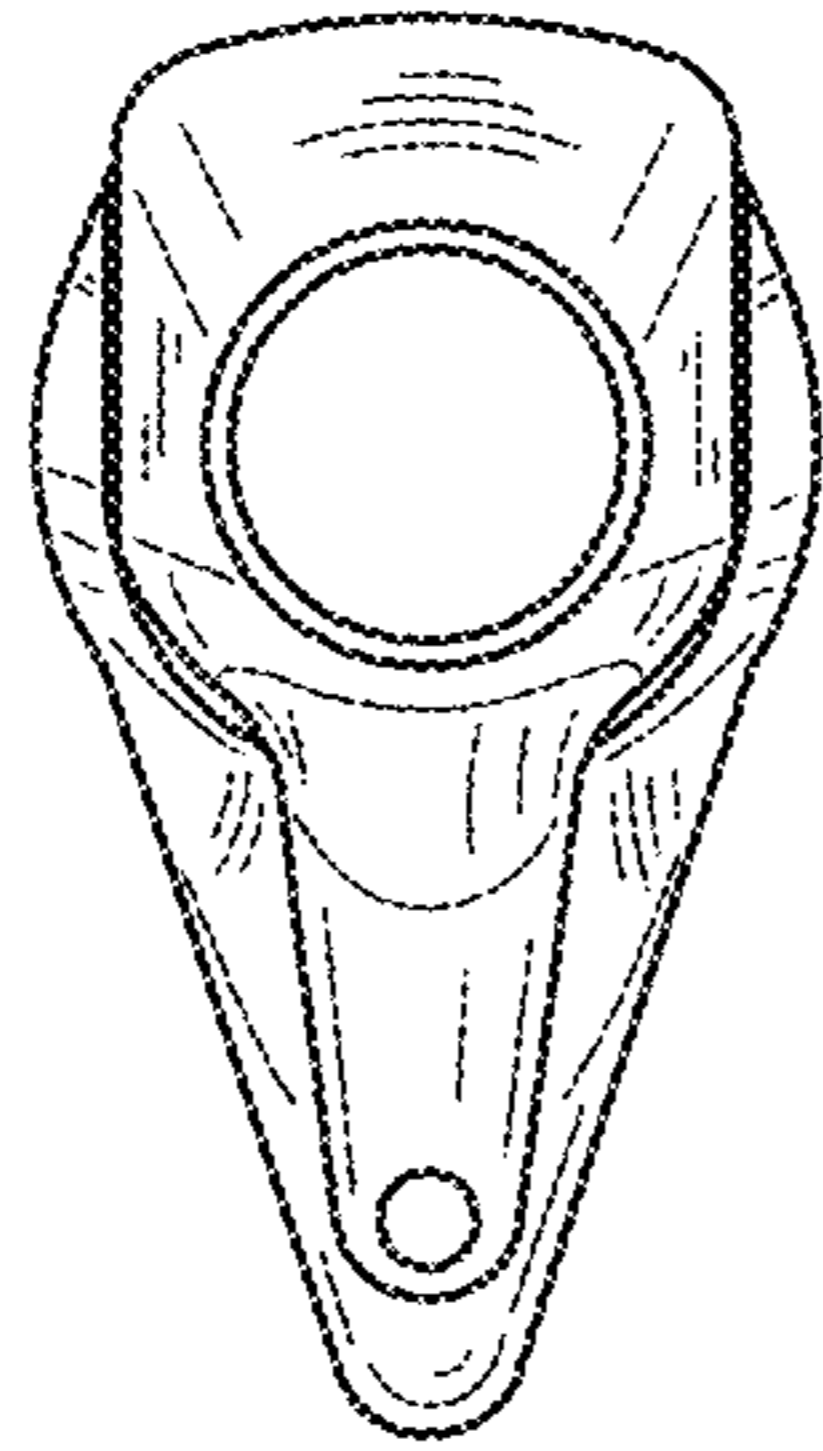


FIG. 13

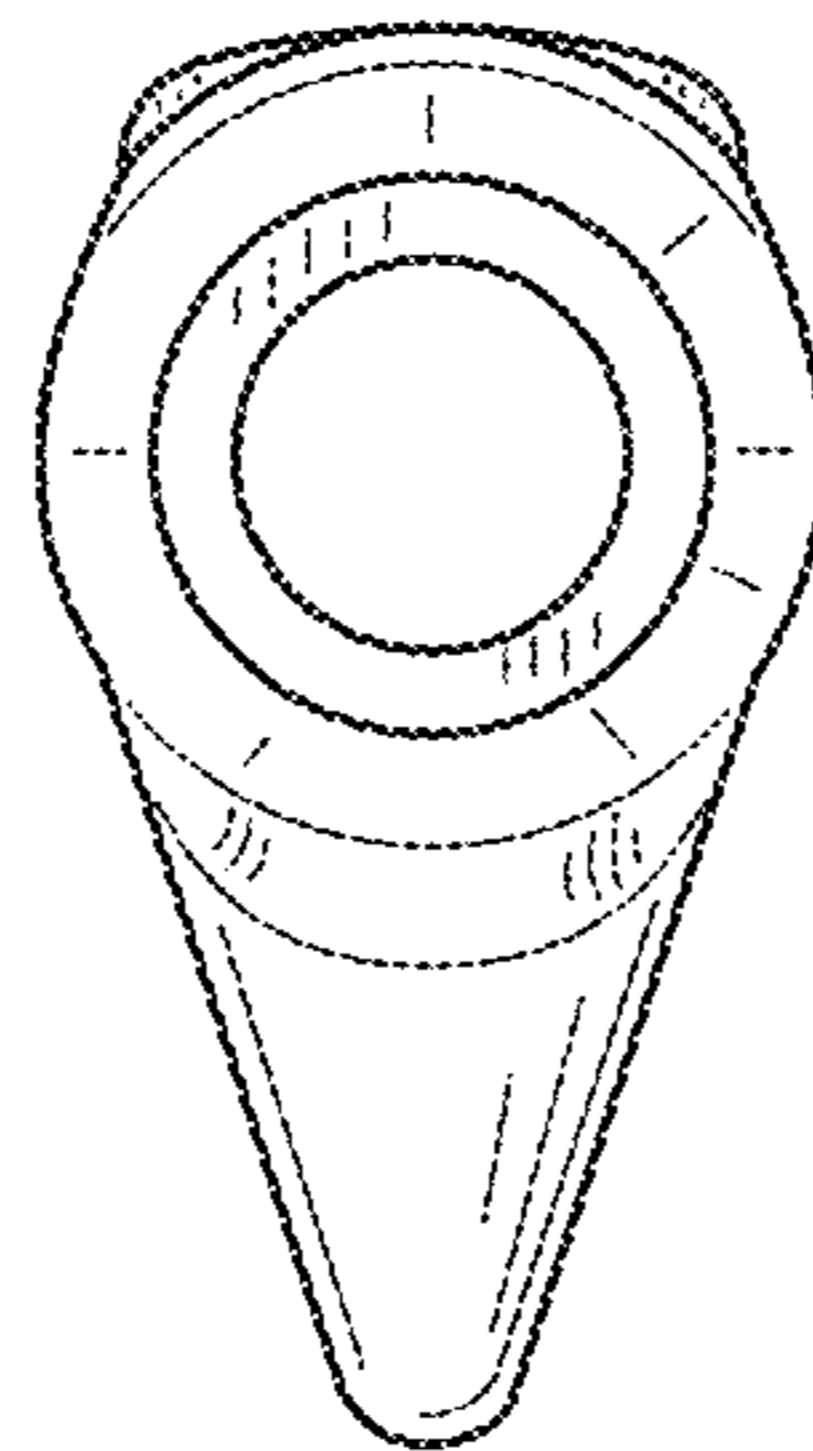


FIG. 14

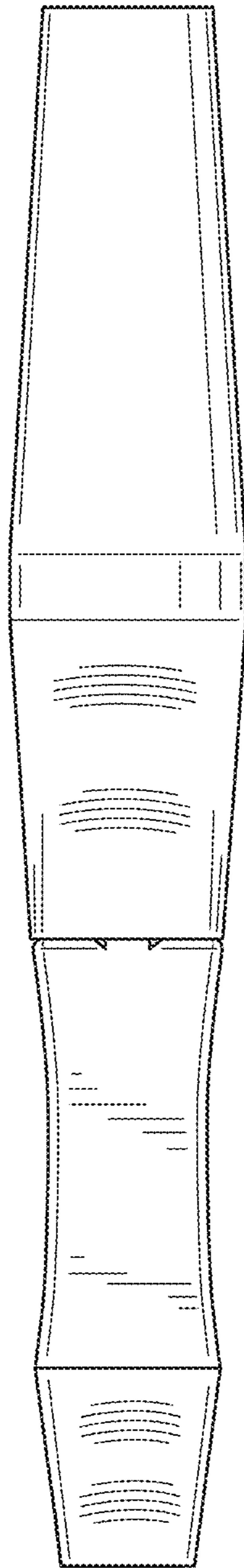


FIG. 15

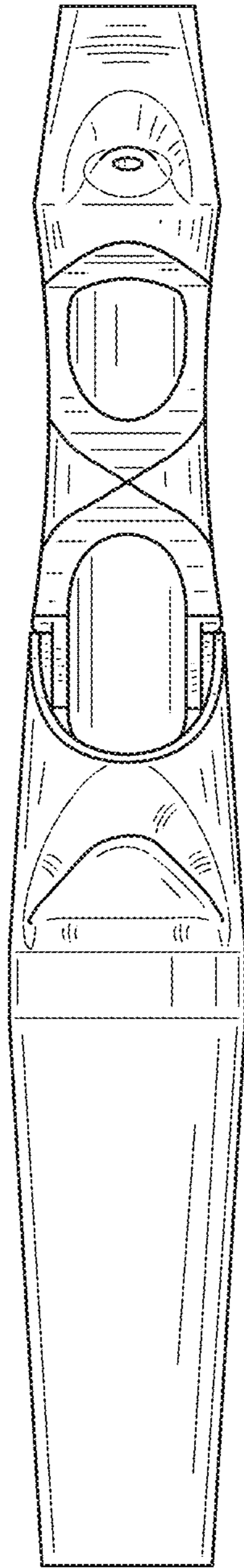


FIG.16

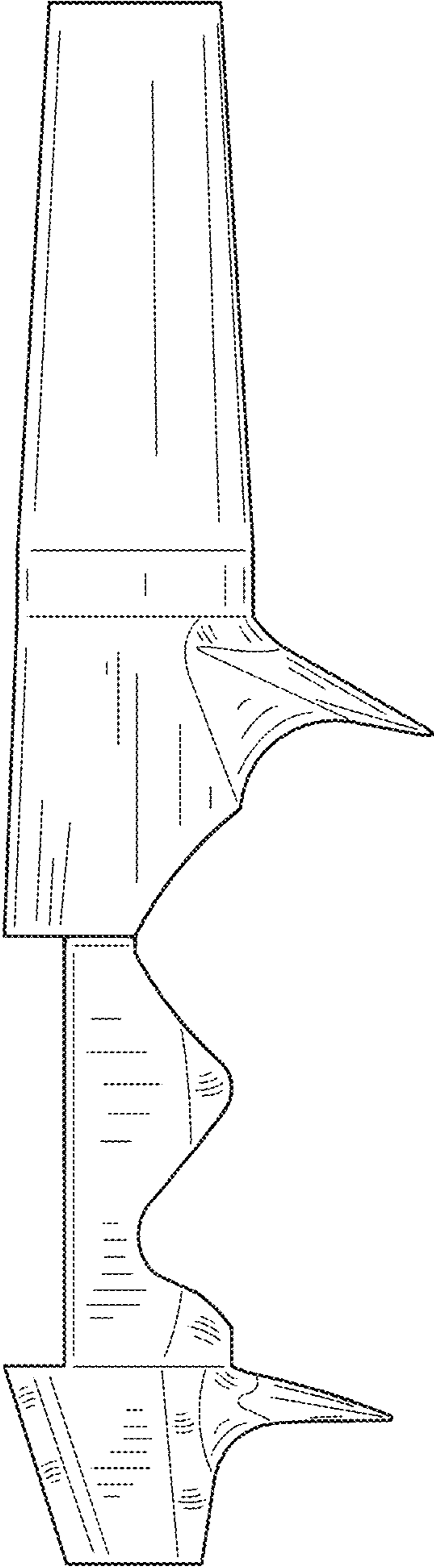


FIG.17

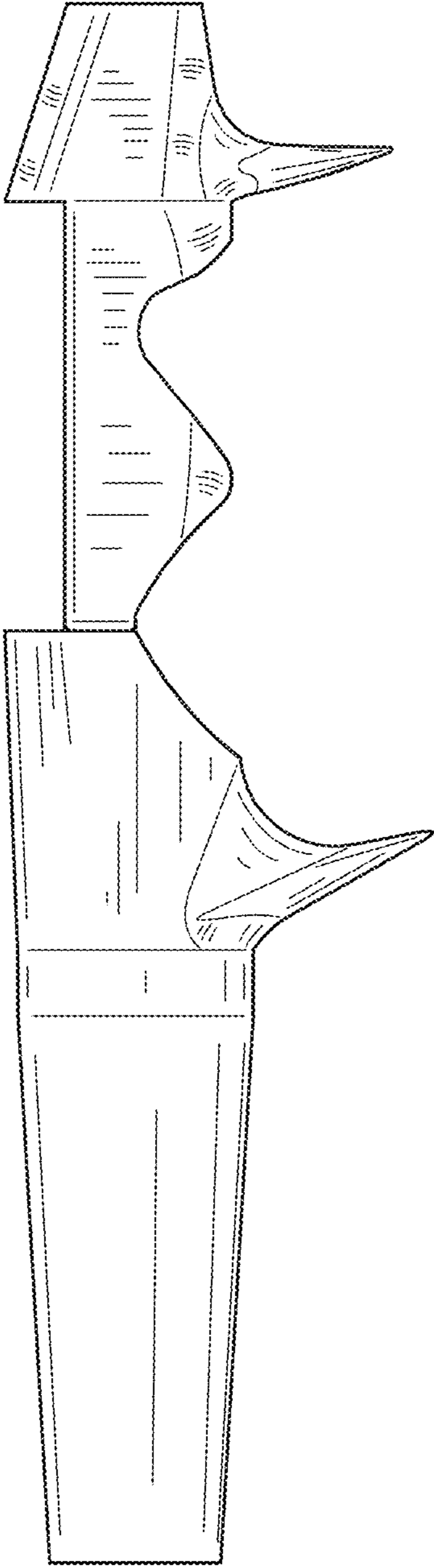


FIG.18