



US00D749187S

(12) **United States Design Patent**
Pirrone et al.

(10) **Patent No.:** **US D749,187 S**
(45) **Date of Patent:** **** Feb. 9, 2016**

(54) **KNIFE**

(56) **References Cited**

(71) Applicant: **The Ontario Knife Company,**
Franklinville, NY (US)
(72) Inventors: **Deneb Pirrone,** Franklinville, NY (US);
Robert Cass, Franklinville, NY (US);
Kenneth Trbovich, Franklinville, NY
(US)

U.S. PATENT DOCUMENTS

D299,375	S	*	1/1989	Pipes	D22/118
4,821,356	A	*	4/1989	Finn	F41C 27/18
						30/342
5,594,967	A	*	1/1997	Morton	B26B 3/06
						30/138
D473,911	S	*	4/2003	Green	D22/118
D502,527	S	*	3/2005	Trbovich, Jr.	D22/118
D515,654	S	*	2/2006	Trbovich, Jr.	D22/118
D672,842	S	*	12/2012	Pelton	D22/118

(73) Assignee: **The Ontario Knife Company,**
Franklinville, NY (US)

* cited by examiner

(**) Term: **14 Years**

Primary Examiner — Catheri Oliver-Garcia

(21) Appl. No.: **29/507,720**

(74) *Attorney, Agent, or Firm* — Woods Oviatt Gilman LLP;
Katherine H. McGuire, Esq.

(22) Filed: **Oct. 30, 2014**

(57) **CLAIM**

The ornamental design for a knife, as shown and described.

(51) **LOC (10) Cl.** **22-02**

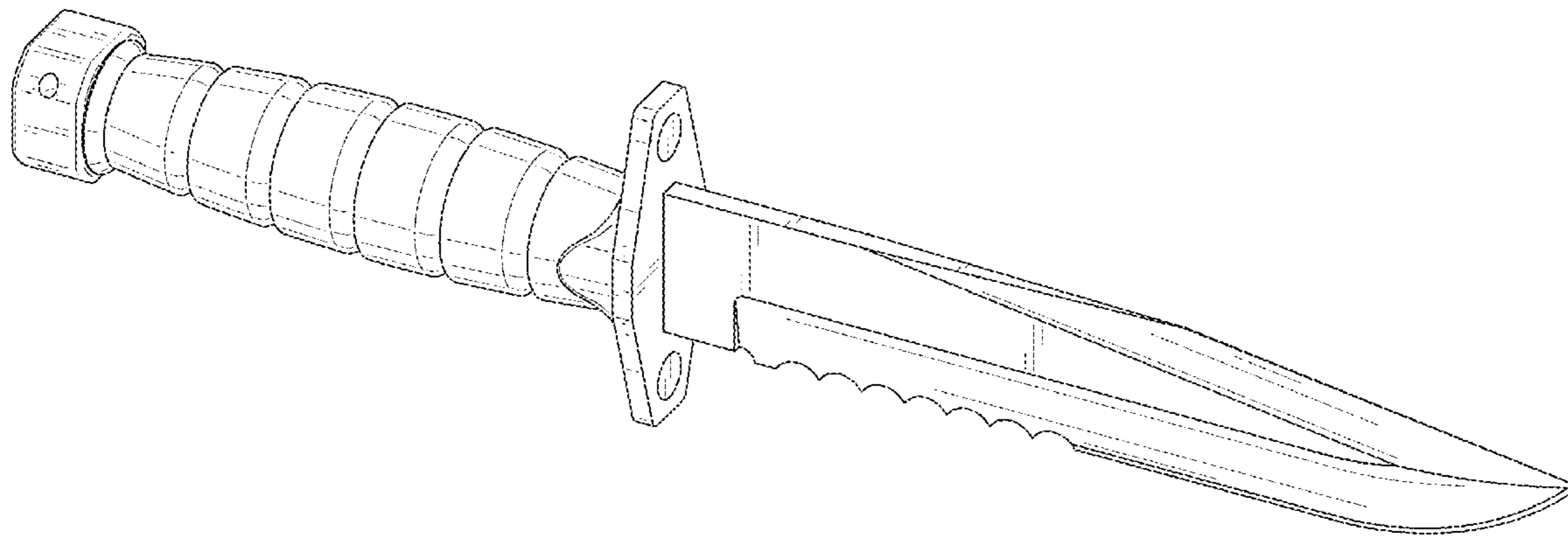
DESCRIPTION

(52) **U.S. Cl.**
USPC **D22/118**

(58) **Field of Classification Search**
USPC D22/118; 7/134, 158; D8/95-99;
30/121, 151, 155, 157, 160-161, 342,
30/355
CPC B25B 1/22; B26B 3/06; F41C 27/18
See application file for complete search history.

FIG. 1 is a right side perspective view of a knife in accordance with the present invention;
FIG. 2 is a right side elevational view thereof;
FIG. 3 is a left side elevational view thereof;
FIG. 4 is a front elevational view thereof as when looking left to right in FIG. 2;
FIG. 5 is a rear elevational view thereof as when looking right to left in FIG. 2;
FIG. 6 is a top plan view thereof; and,
FIG. 7 is a bottom plan view thereof.

1 Claim, 6 Drawing Sheets



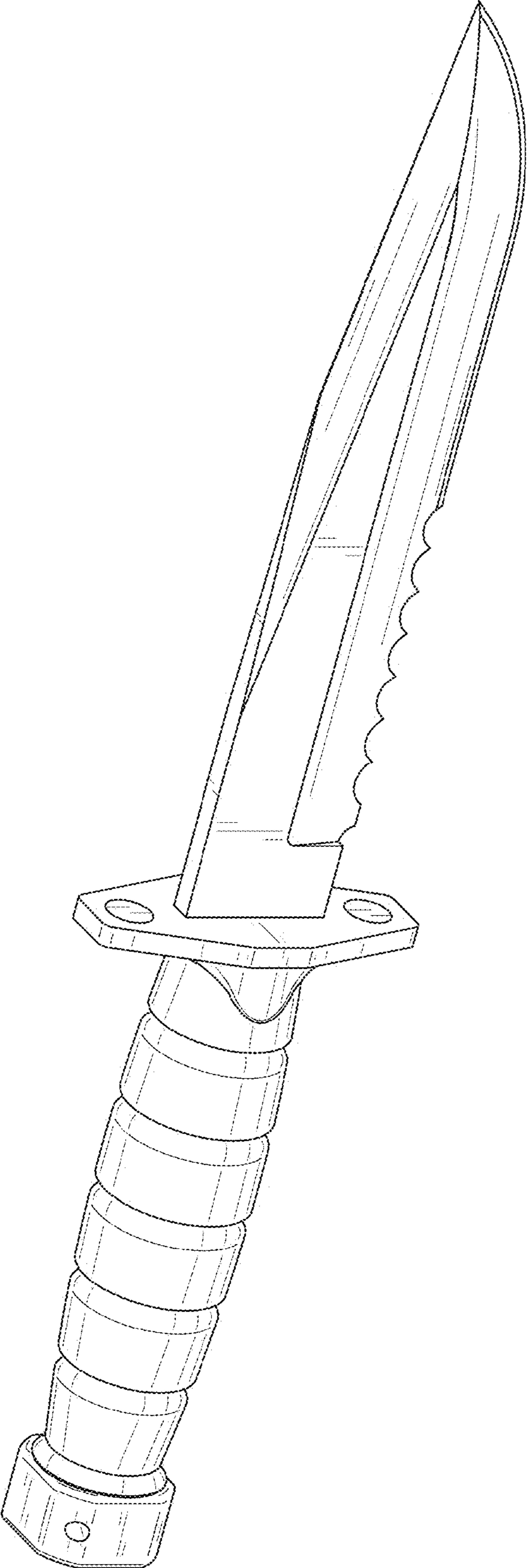


FIG. 1

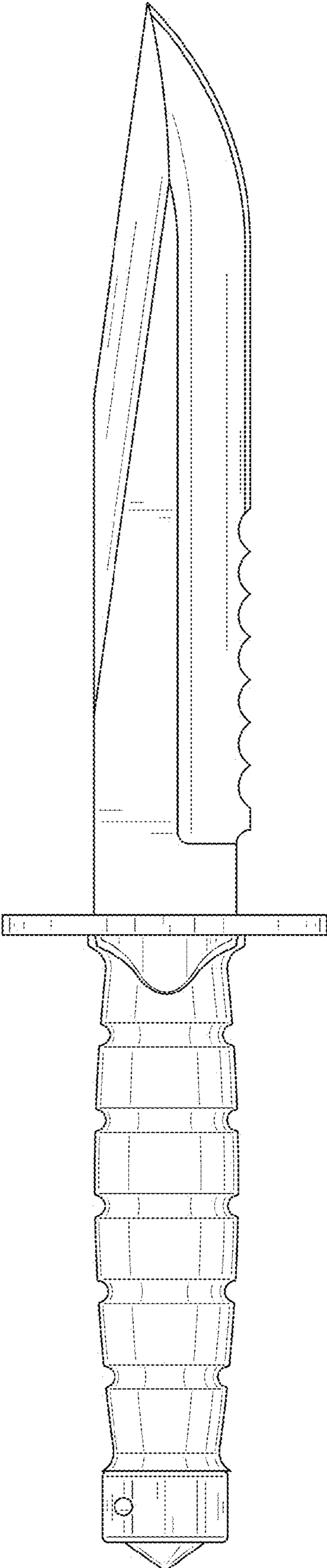


FIG. 2

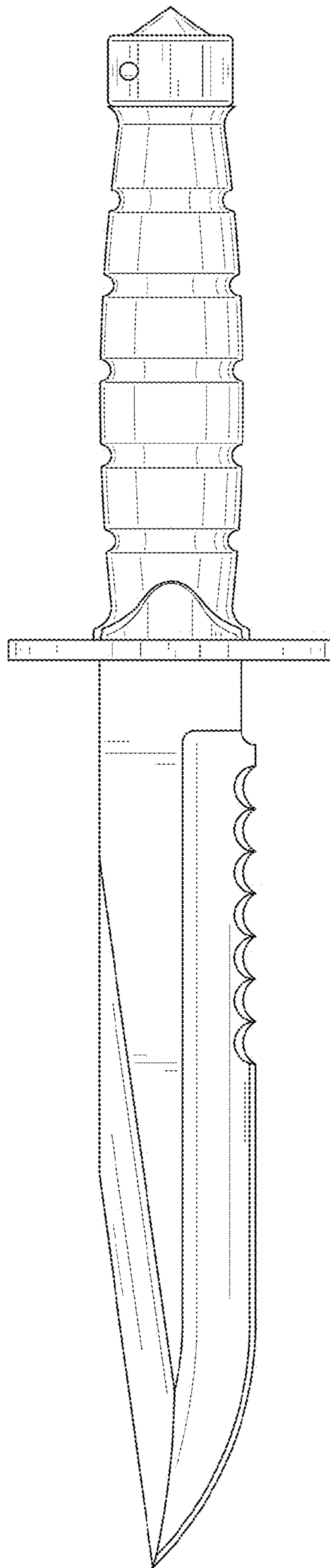


FIG. 3

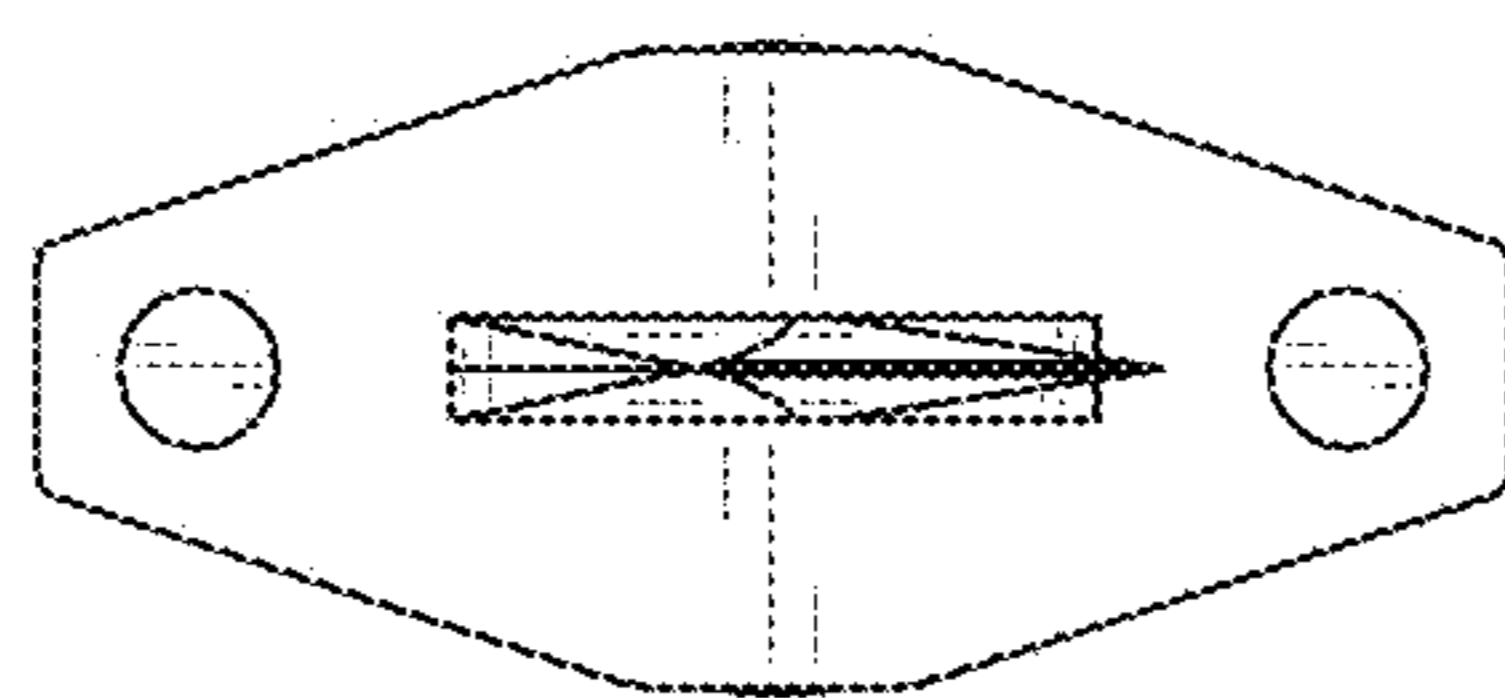


FIG. 5

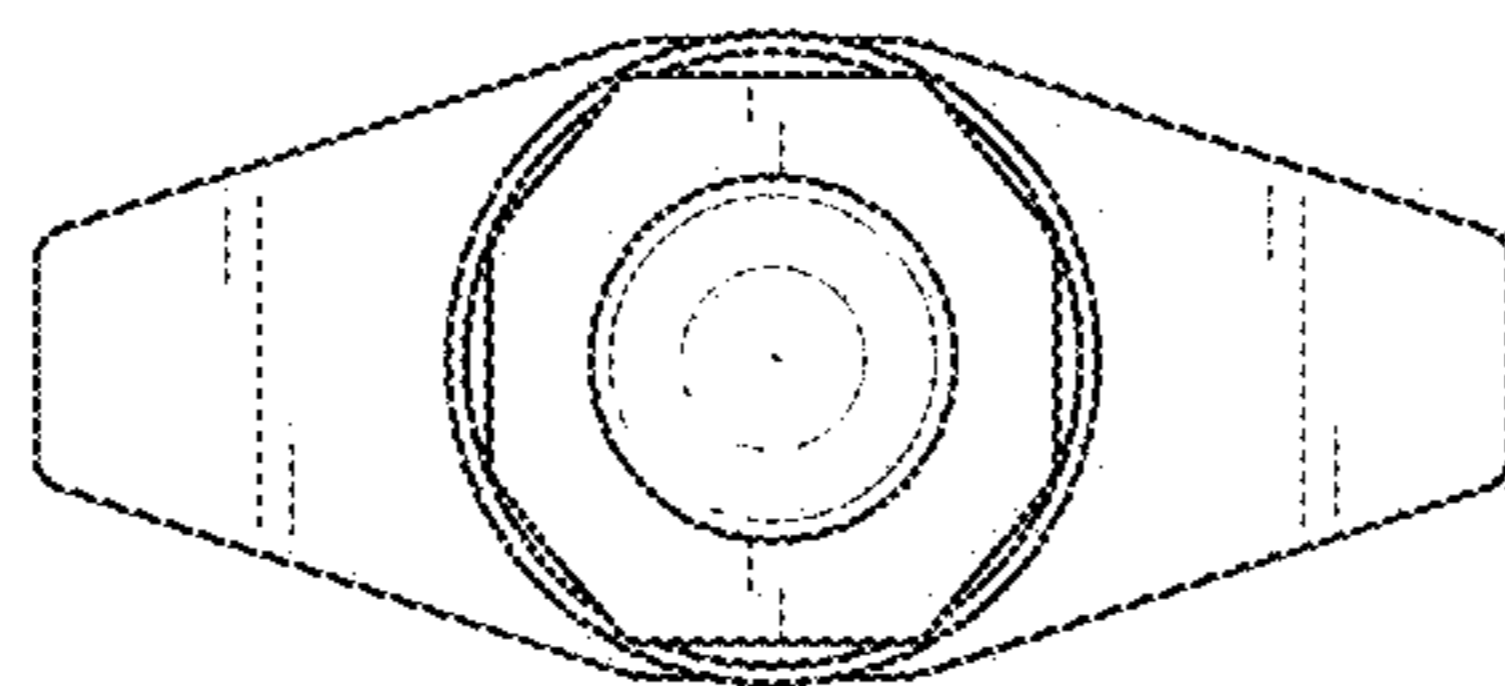


FIG. 4

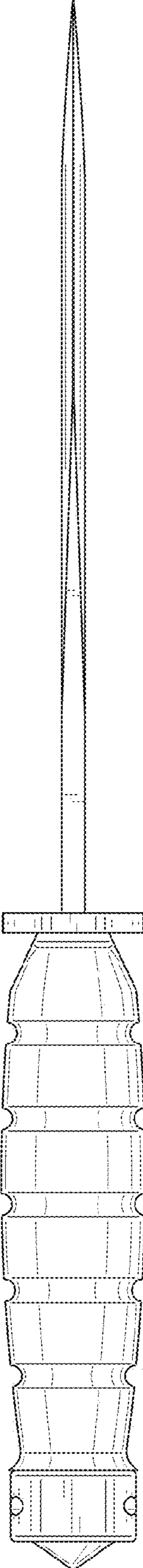


FIG. 6

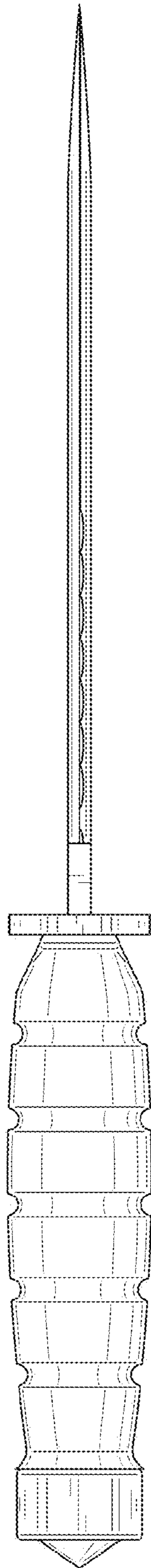


FIG. 7