



US00D749185S

(12) **United States Design Patent**
Cheng et al.

(10) **Patent No.:** **US D749,185 S**
(45) **Date of Patent:** **** Feb. 9, 2016**

- (54) **HANDLE SIGHT**
- (71) Applicants: **Carson Cheng**, City of Industry, CA (US); **Richard Thomas**, City of Industry, CA (US)
- (72) Inventors: **Carson Cheng**, City of Industry, CA (US); **Richard Thomas**, City of Industry, CA (US)
- (73) Assignee: **NcSTAR, Inc.**, City of Industry, CA (US)
- (**) Term: **14 Years**
- (21) Appl. No.: **29/497,910**
- (22) Filed: **Jul. 29, 2014**
- (51) **LOC (10) Cl.** **22-01**
- (52) **U.S. Cl.**
USPC **D22/108**
- (58) **Field of Classification Search**
USPC D22/109; 362/109-114
CPC F41C 23/10; F41C 23/14; F41C 23/16;
F41C 23/18
See application file for complete search history.

- D302,454 S * 7/1989 Lee F41C 23/04
D22/108
- 8,567,301 B1 * 10/2013 Sharron F41A 3/72
89/1.4
- 9,027,273 B1 * 5/2015 Clinkenbeard F41C 33/08
42/124
- 2010/0236389 A1 * 9/2010 Larson F41C 33/08
89/1.42
- 2015/0226508 A1 * 8/2015 Hughes F41A 33/02
434/21

* cited by examiner

Primary Examiner — Michael A Pratt

(74) *Attorney, Agent, or Firm* — Raymond Y. Chan; David and Raymond

(57) **CLAIM**

The ornamental design for a handle sight, as shown and described.

DESCRIPTION

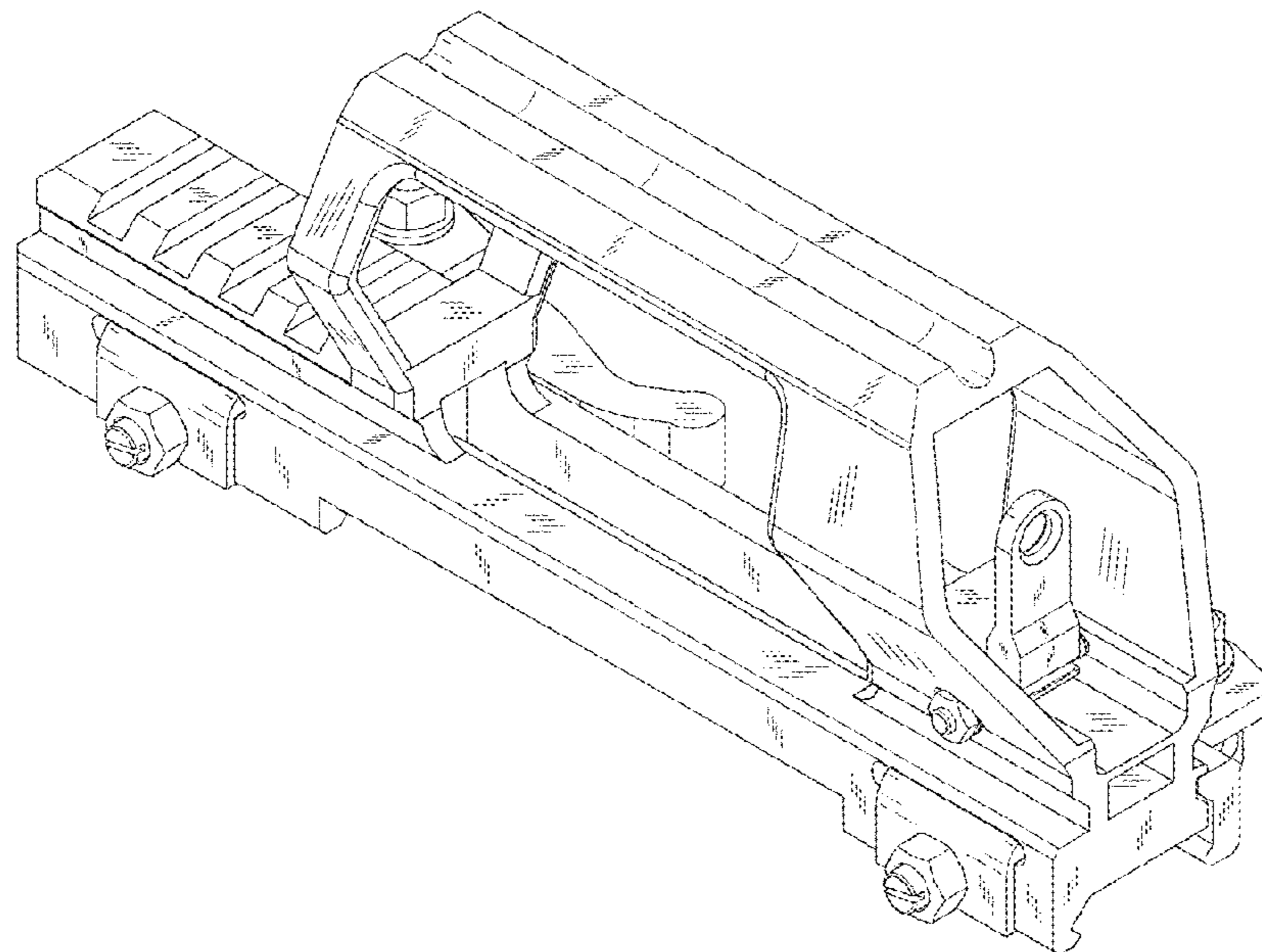
FIG. 1 is a perspective view of a handle sight showing my new design.
 FIG. 2 is a right view of the handle sight.
 FIG. 3 is a left view of the handle sight.
 FIG. 4 is a rear view of the handle sight.
 FIG. 5 is a front view of the handle sight.
 FIG. 6 is a top view of the handle sight.
 FIG. 7 is a bottom view of the handle sight; and,
 FIG. 8 is a perspective view of the handle sight, showing a sight module coupled at the handle sight.
 The broken line portion of the figure drawings is included to show unclaimed subject matter only and forms no part of the claimed design.

1 Claim, 8 Drawing Sheets

(56) **References Cited**

U.S. PATENT DOCUMENTS

- 3,618,249 A * 11/1971 Grandy F41C 23/04
42/72
- D285,236 S * 8/1986 Brunton F41C 23/04
D22/108
- 4,663,878 A * 5/1987 Beretta F41C 33/08
42/148



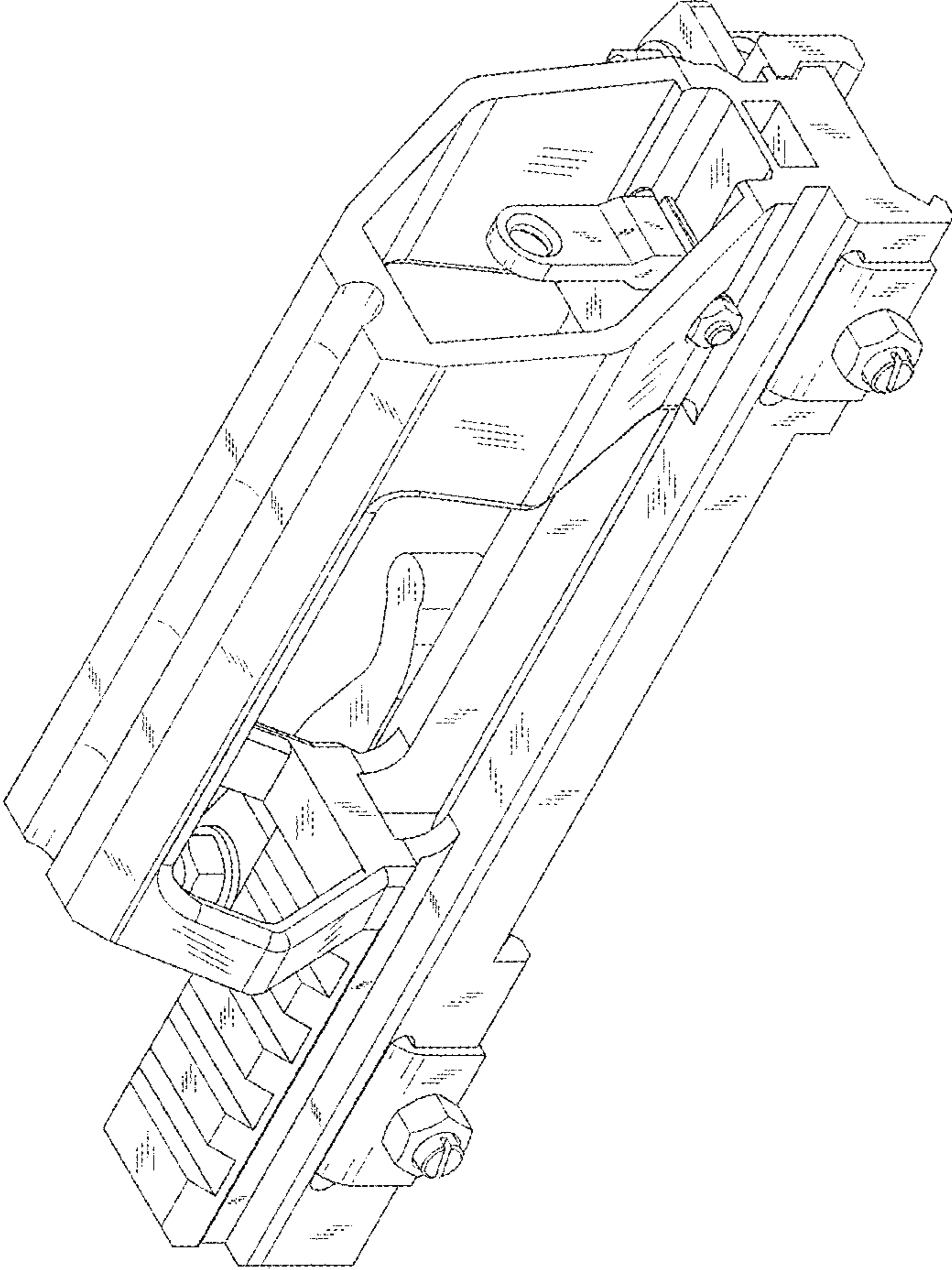


FIG.1

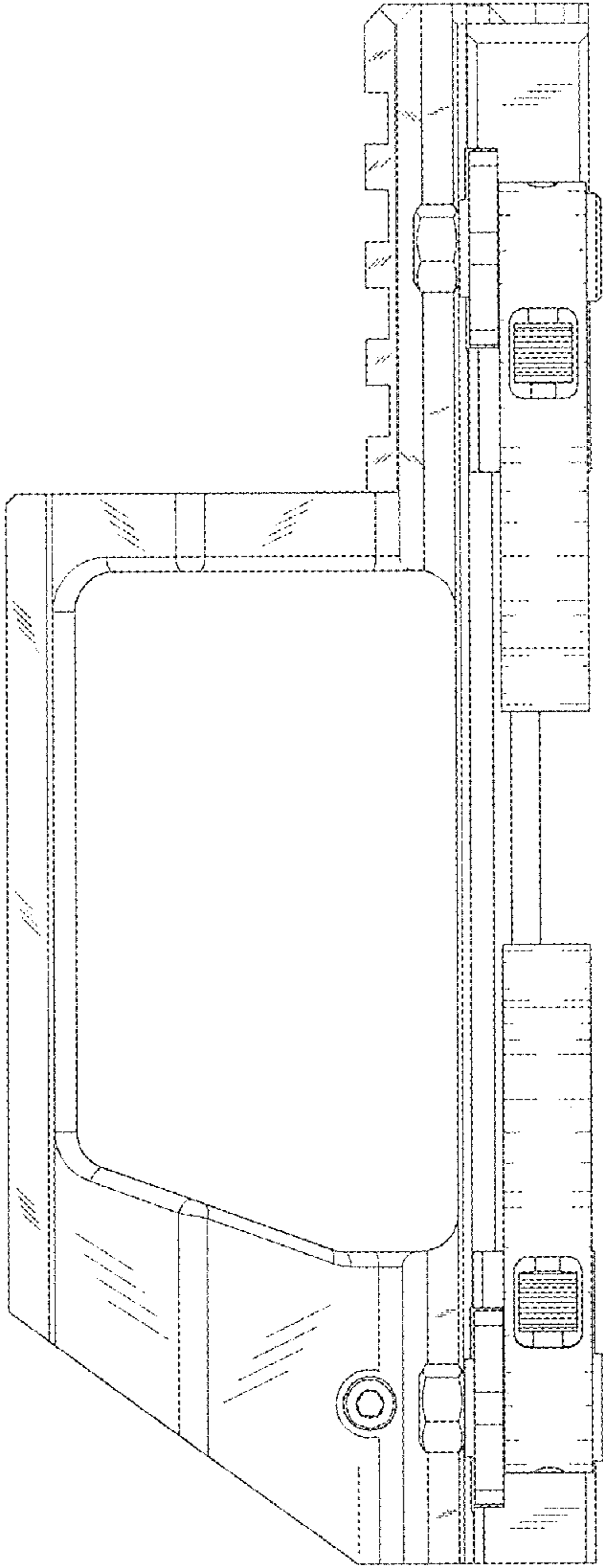


FIG. 2

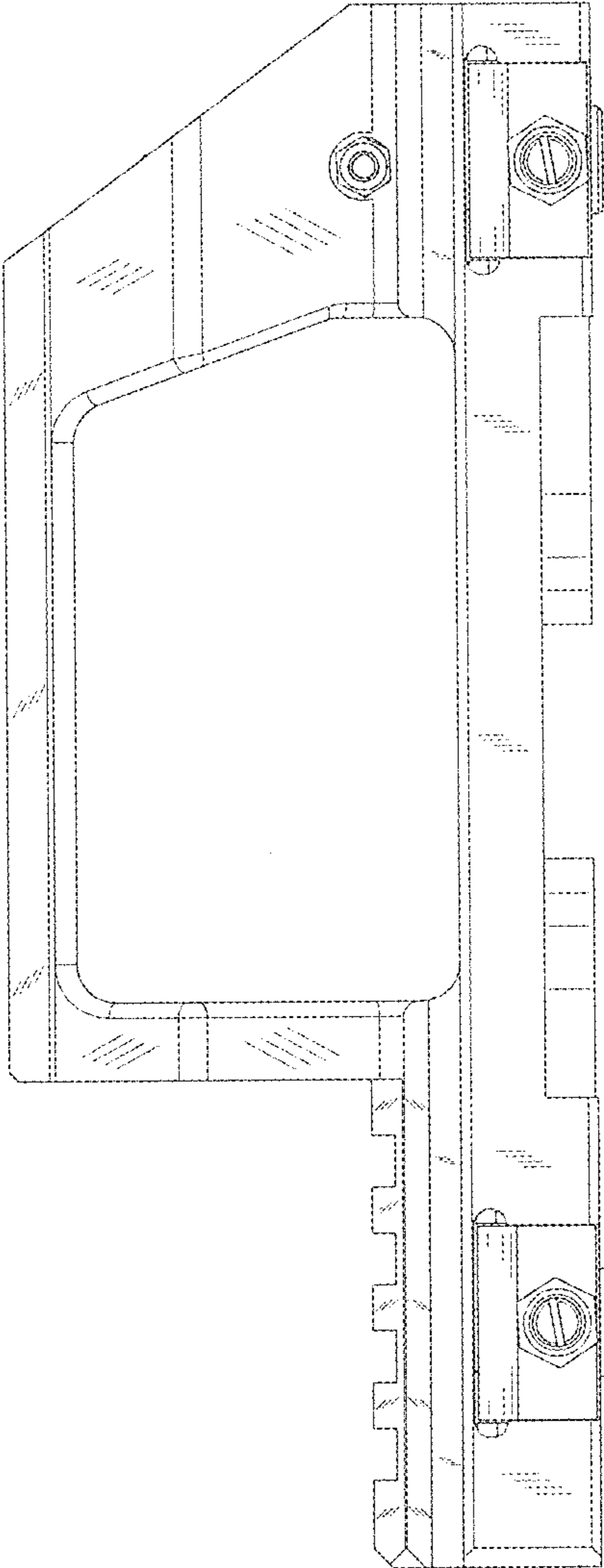


FIG. 3

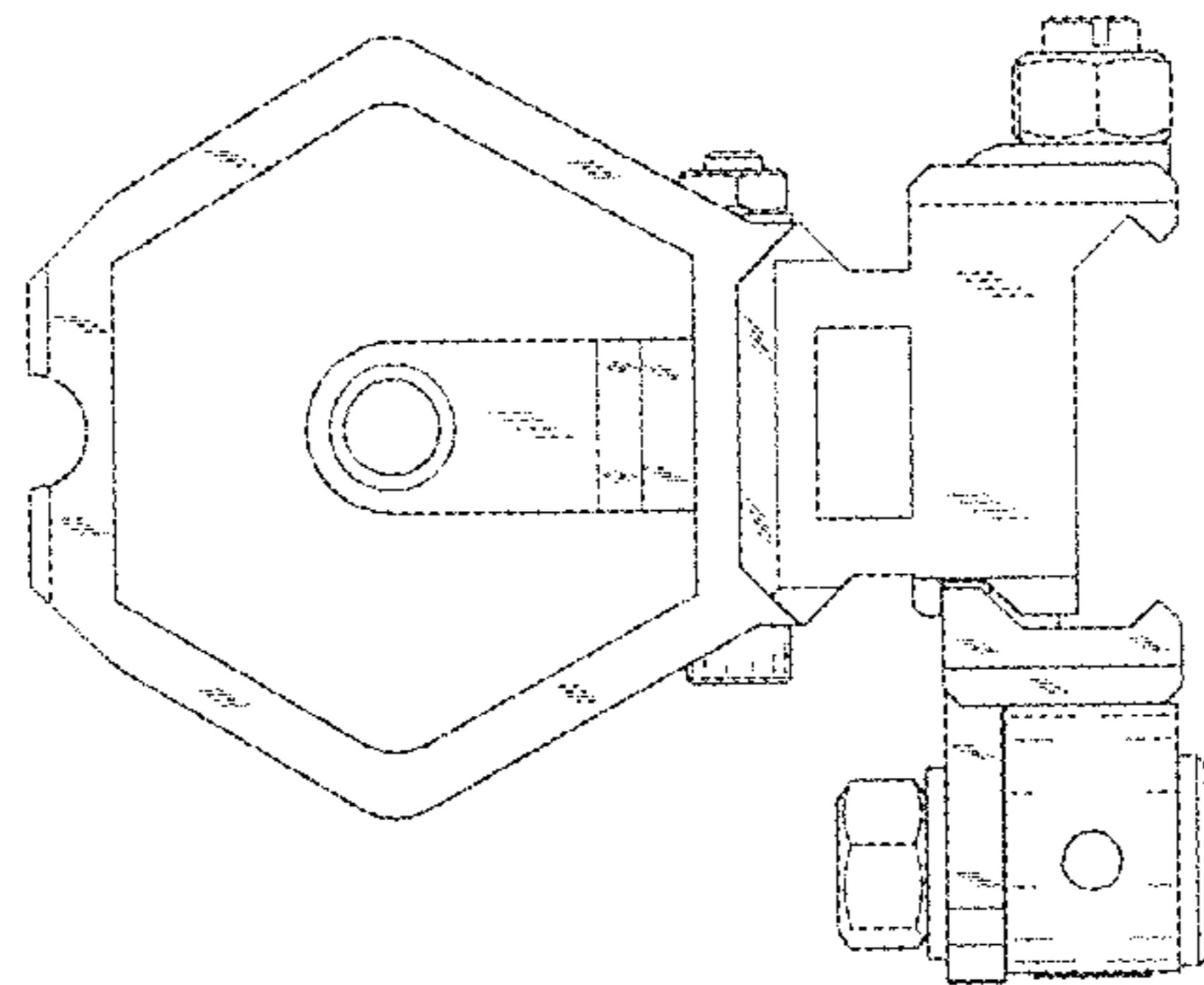


FIG.4

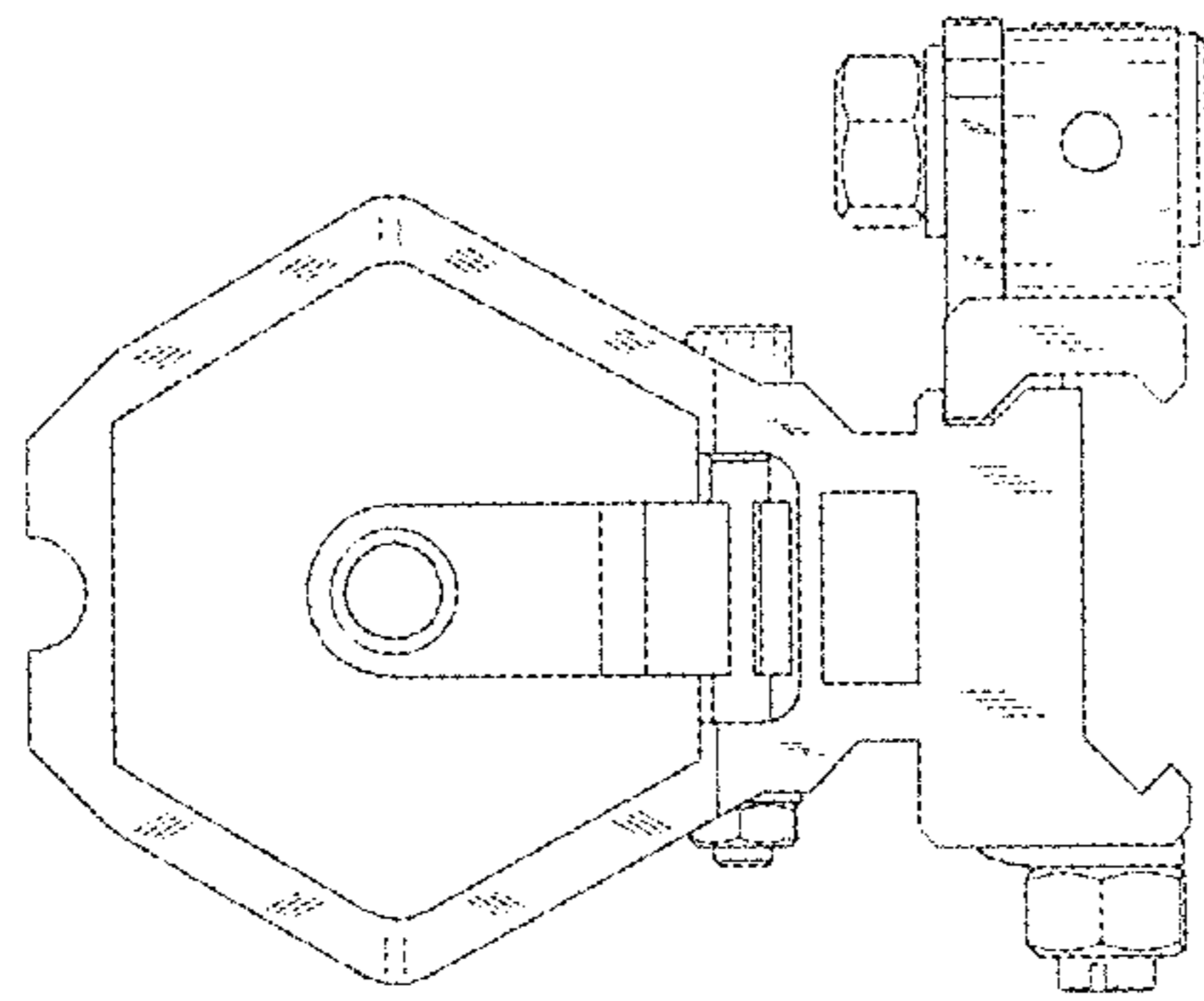


FIG. 5

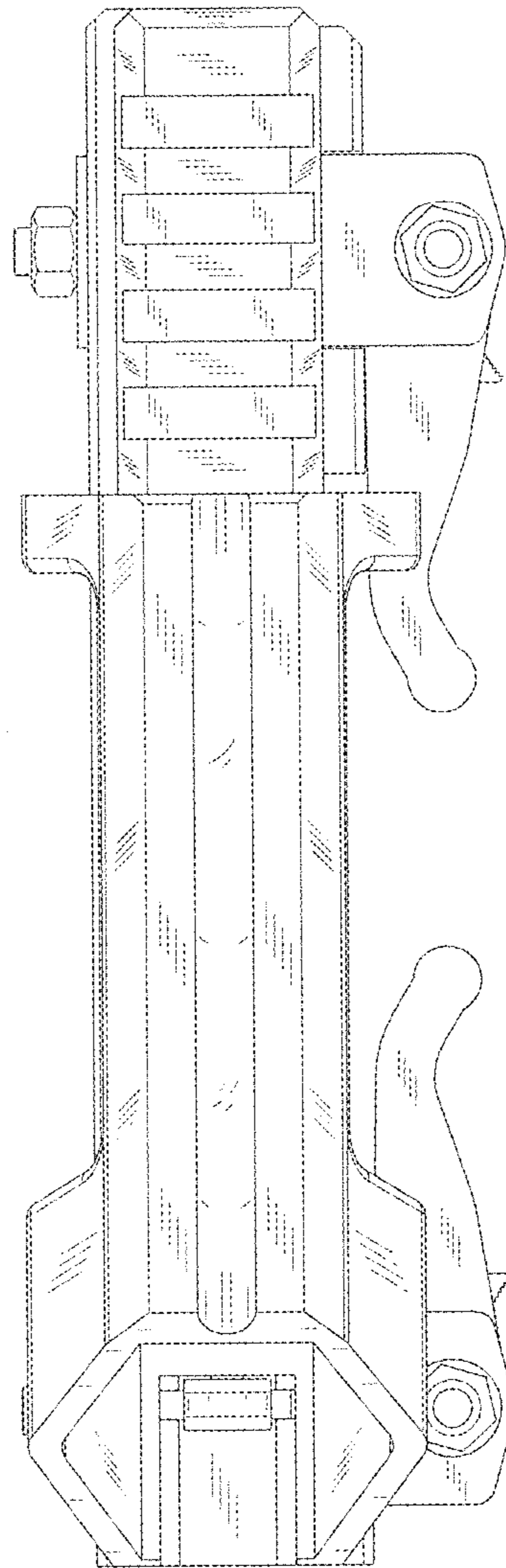


FIG. 6

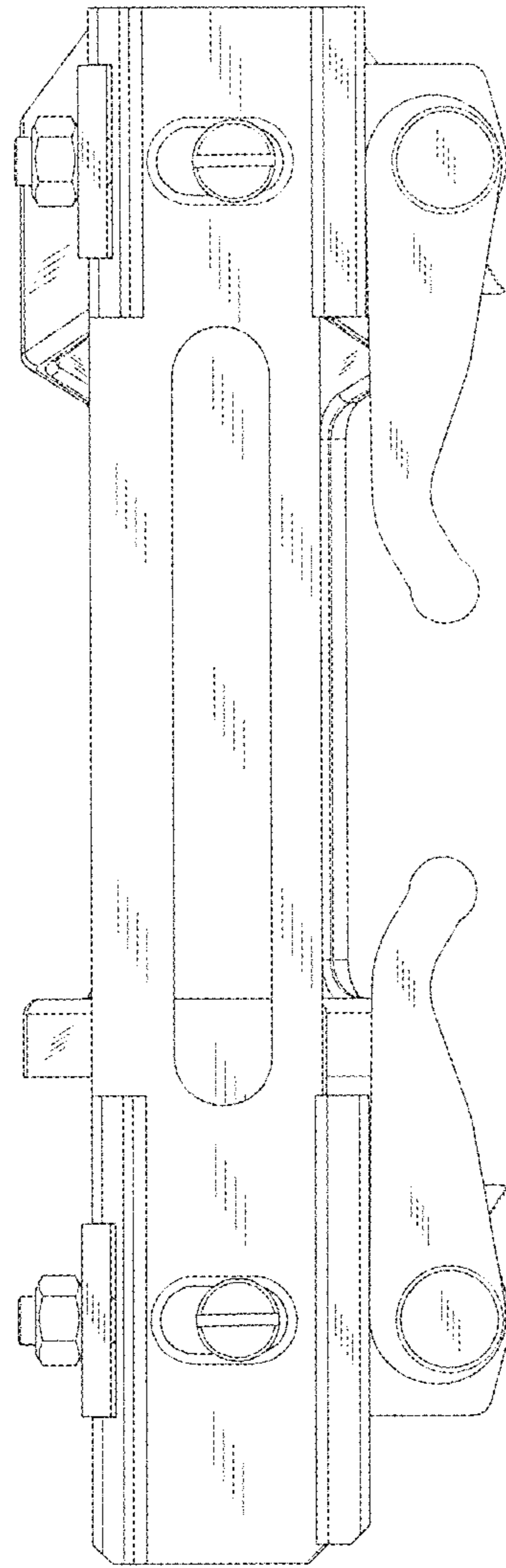


FIG.7

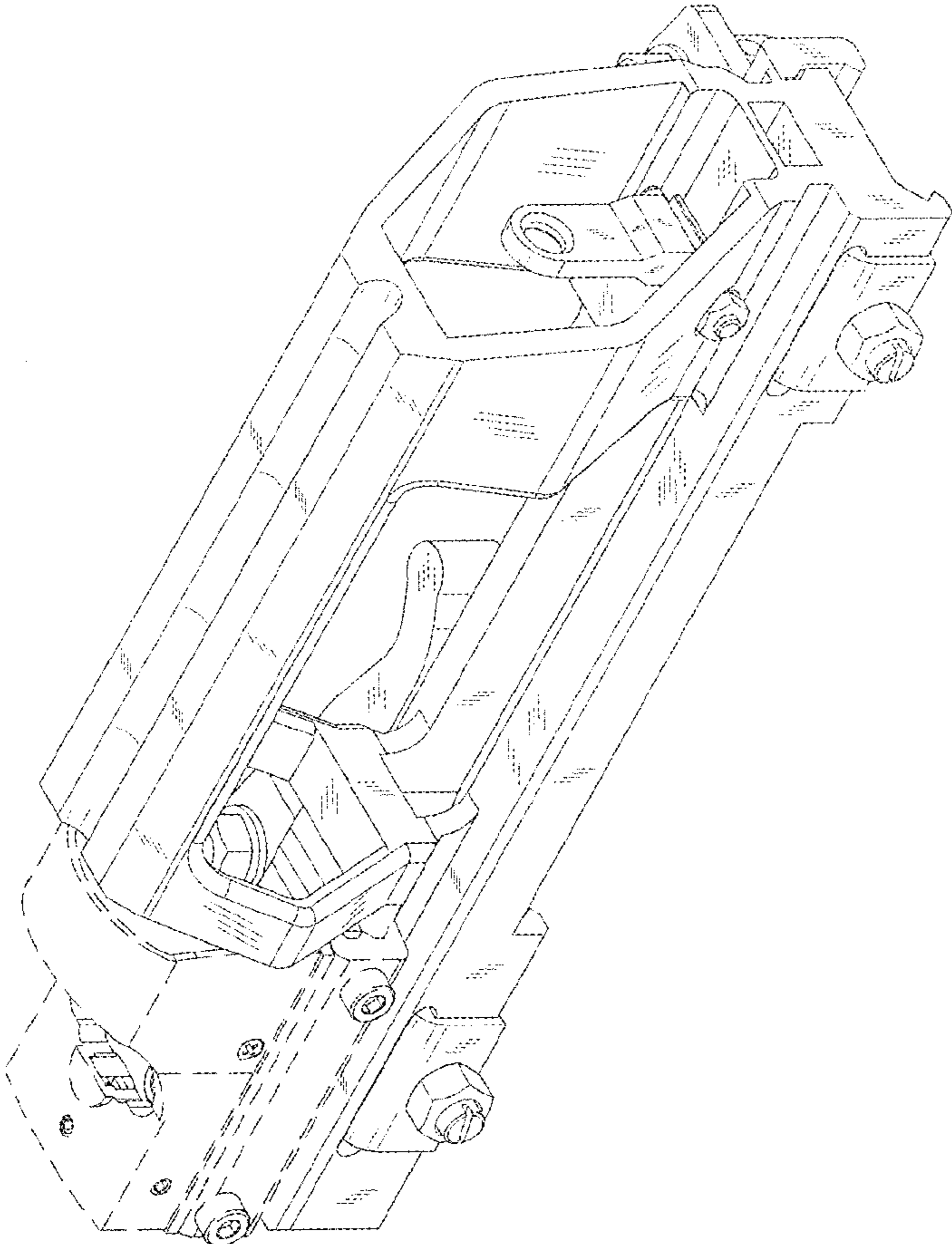


FIG. 8