



US00D749184S

(12) **United States Design Patent**
Sakiewicz et al.

(10) **Patent No.:** **US D749,184 S**
(45) **Date of Patent:** **** Feb. 9, 2016**

(54) **EMERGENCY ASSISTANCE DEVICE FOR A FIREARM**

(71) Applicant: **Solid Proof Technologies LLC**, Golden, CO (US)

(72) Inventors: **Paul Sakiewicz**, Englewood, CO (US);
William Dean Beye, II, Aurora, CO (US);
Albert Tuertscher, Golden, CO (US)

(73) Assignee: **Solid Proof Technologies LLC**, Golden, CO (US)

(**) Term: **14 Years**

(21) Appl. No.: **29/496,957**

(22) Filed: **Jul. 18, 2014**

(51) **LOC (10) Cl.** **22-01**

(52) **U.S. Cl.**
USPC **D22/108**

(58) **Field of Classification Search**
USPC D22/108-109
CPC F41G 1/00; F41G 1/01; F41G 1/02;
F41G 1/06; F41G 1/065; F41G 1/08; F41G 1/10;
F41G 1/12; F41G 1/14; F41G 1/30; F41G 1/32;
F41G 1/38; F41G 1/40; F41G 1/42; F41G 1/44;
F41G 1/46; F41G 1/383; F41G 1/387; F41G 1/393;
F41G 3/00; F41G 3/005; F41G 3/02; F41G 3/04;
F41G 3/06; F41G 3/14; F41G 11/002; F41G 11/003;
F41G 11/004; F41G 11/005

See application file for complete search history.

(56) **References Cited**

U.S. PATENT DOCUMENTS

1,955,300 A 4/1934 Kurnick
2,144,909 A 1/1939 Atkin et al.
2,282,680 A 5/1942 Sonne
2,990,471 A 6/1961 Tiffany
3,427,102 A 2/1969 Wade

3,530,451 A 9/1970 Devine
4,309,095 A 1/1982 Buckley
4,835,621 A 5/1989 Black
4,936,037 A 6/1990 Holcomb et al.
4,996,787 A 3/1991 Holcomb et al.
5,044,107 A 9/1991 Holford
5,479,149 A 12/1995 Pike

(Continued)

Primary Examiner — Michael A Pratt

(74) *Attorney, Agent, or Firm* — Sheridan Ross P.C.

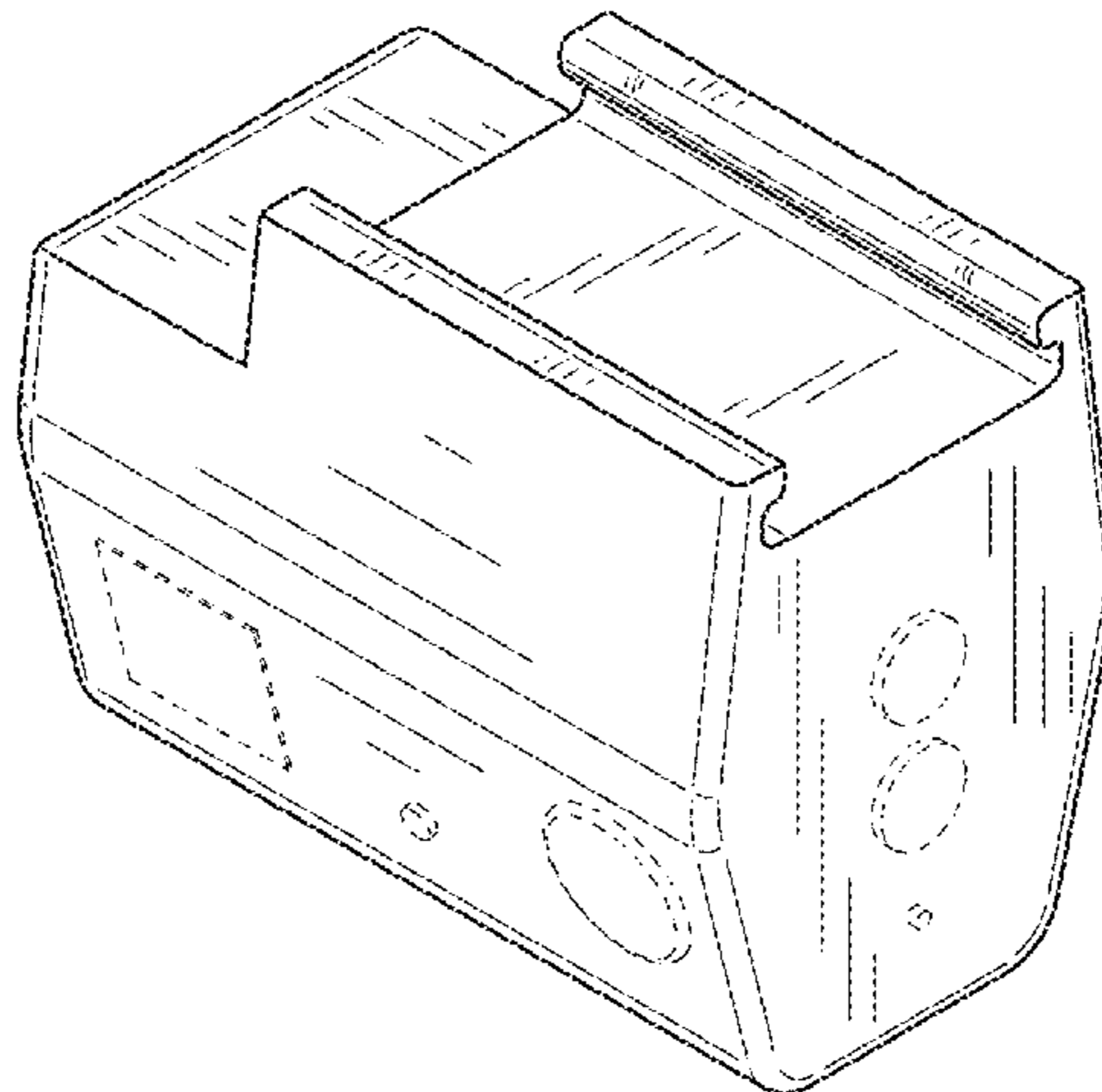
(57) **CLAIM**

The ornamental design for an emergency assistance device for a firearm, as shown and described.

DESCRIPTION

FIG. 1 is a front perspective view of the emergency assistance device for a firearm;
FIG. 2 is a left elevation view thereof;
FIG. 3 is a right elevation view thereof;
FIG. 4 is a front elevation view thereof;
FIG. 5 is a rear elevation view thereof;
FIG. 6 is a top plan view thereof;
FIG. 7 is a bottom plan view thereof;
FIG. 8 is a front perspective view of the emergency assistance device according to an alternative embodiment;
FIG. 9 is a left elevation view of the emergency assistance device of FIG. 8;
FIG. 10 is a right elevation view of the emergency assistance device of FIG. 8;
FIG. 11 is a front elevation view of the emergency assistance device of FIG. 8;
FIG. 12 is a rear elevation view of the emergency assistance device of FIG. 8;
FIG. 13 is a top plan view of the emergency assistance device of FIG. 8; and,
FIG. 14 is a bottom plan view of the emergency assistance device of FIG. 8.
The broken lines illustrate environment and are included for the purpose of identifying unclaimed features of the design.

1 Claim, 8 Drawing Sheets



(56)

References Cited

U.S. PATENT DOCUMENTS

5,525,966 A	6/1996	Parish	8,978,539 B2 *	3/2015	Teetzel F41A 23/08 42/111
5,598,151 A	1/1997	Torii, Jr.	D738,455 S *	9/2015	Homem de Mello Anderson D22/109
6,070,355 A	6/2000	Day	2006/0025078 A1	2/2006	Sinha et al.
6,363,647 B2	4/2002	Kaminski	2006/0042142 A1	3/2006	Sinha
6,429,769 B1	8/2002	Fulgueira	2006/0082730 A1	4/2006	Franks
6,556,245 B1	4/2003	Holmberg	2008/0060248 A1	3/2008	Pine et al.
6,580,876 B1	6/2003	Gordon	2012/0276954 A1	11/2012	Kowalsky
6,735,897 B1	5/2004	Schmitter et al.	2012/0307989 A1	12/2012	Hawley et al.
6,802,147 B2	10/2004	Haefeli et al.	2013/0247440 A1 *	9/2013	Maentymaa F41G 1/00 42/111
6,823,621 B2	11/2004	Gotfried	2014/0317988 A1 *	10/2014	Battis F41H 13/0087 42/114
8,339,257 B2	12/2012	Cazanas et al.	2015/0184978 A1 *	7/2015	Hedeen F41G 1/35 42/114
8,690,460 B2	4/2014	Kuehl et al.			

* cited by examiner

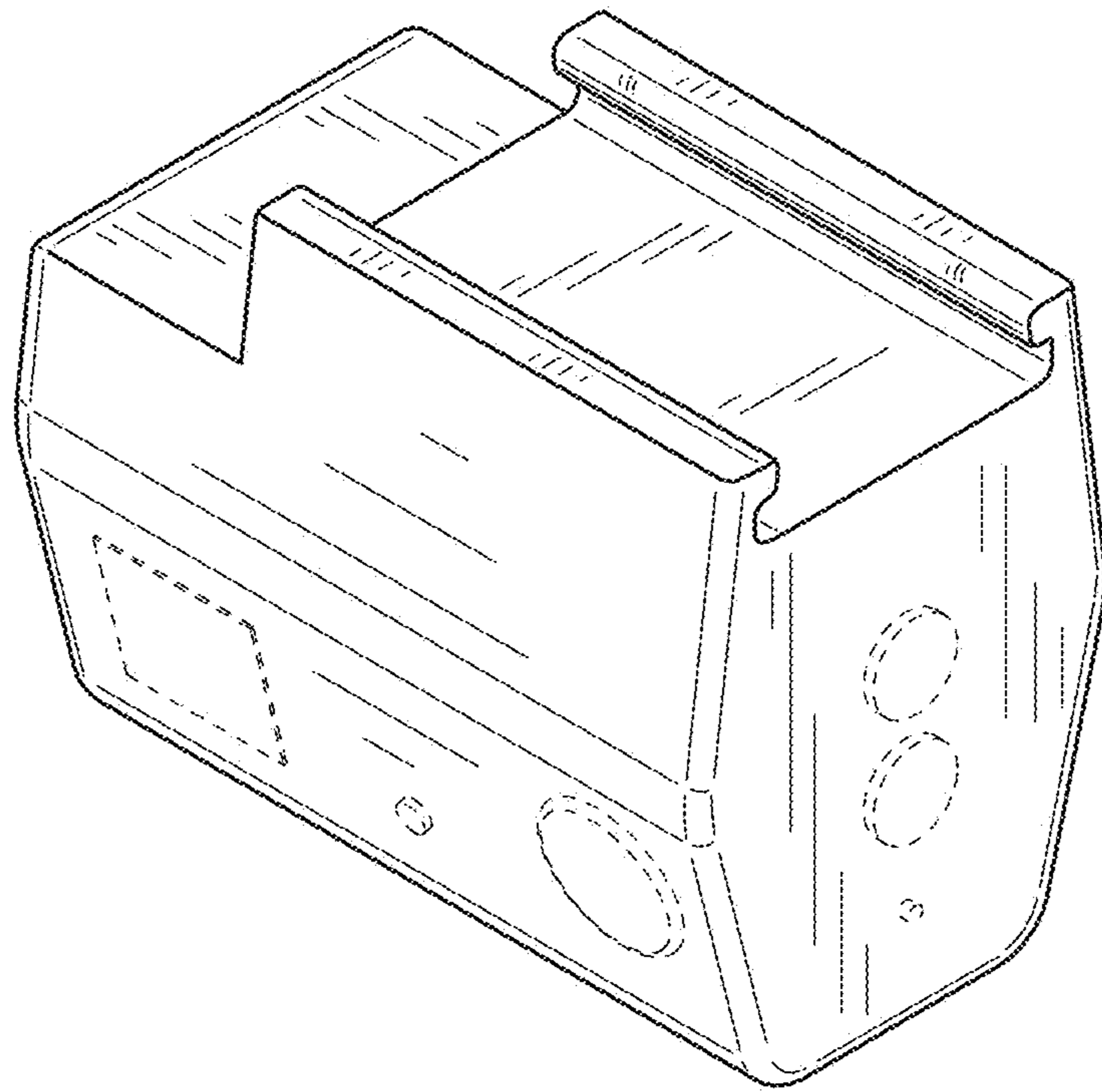


FIG.1

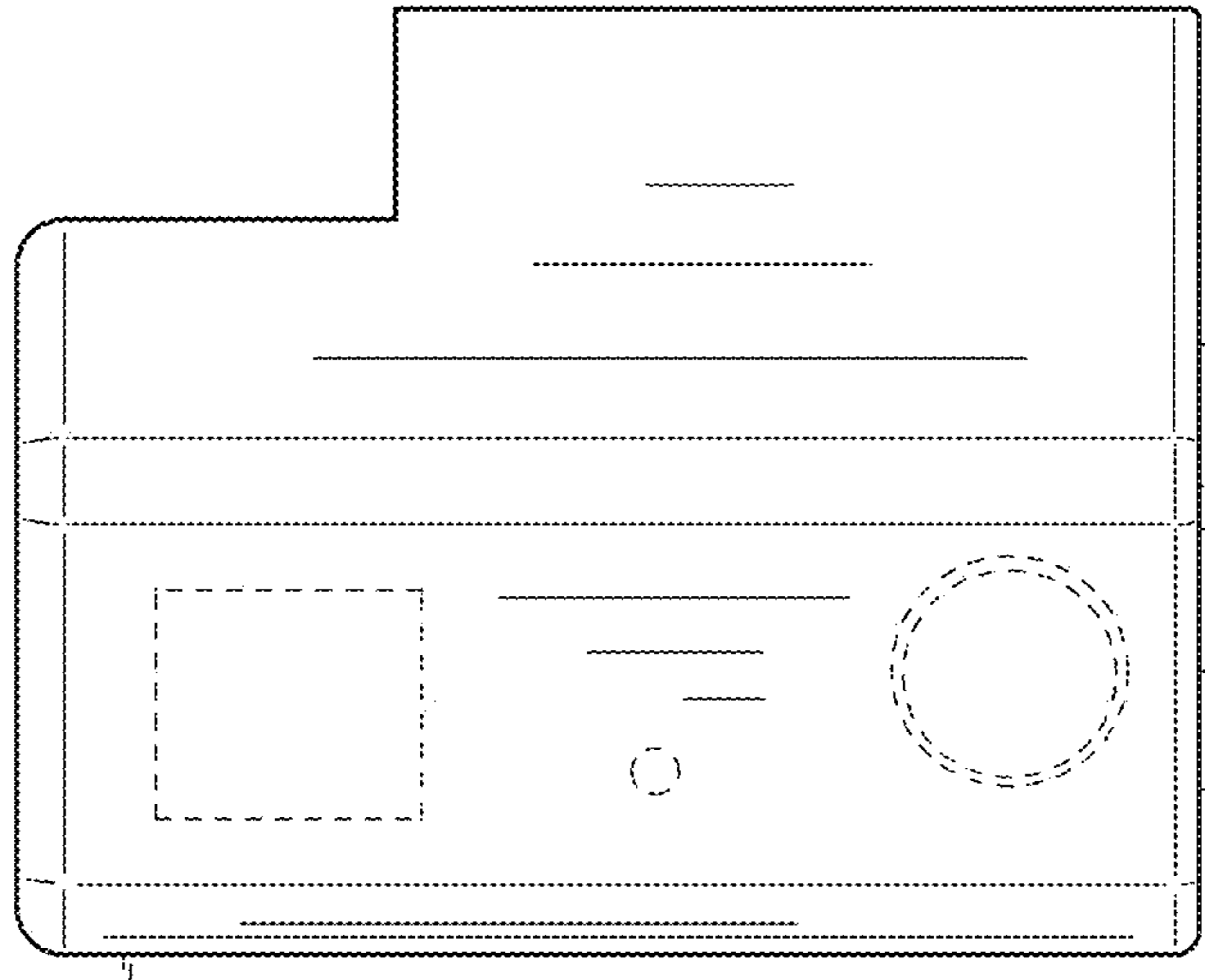


FIG. 2

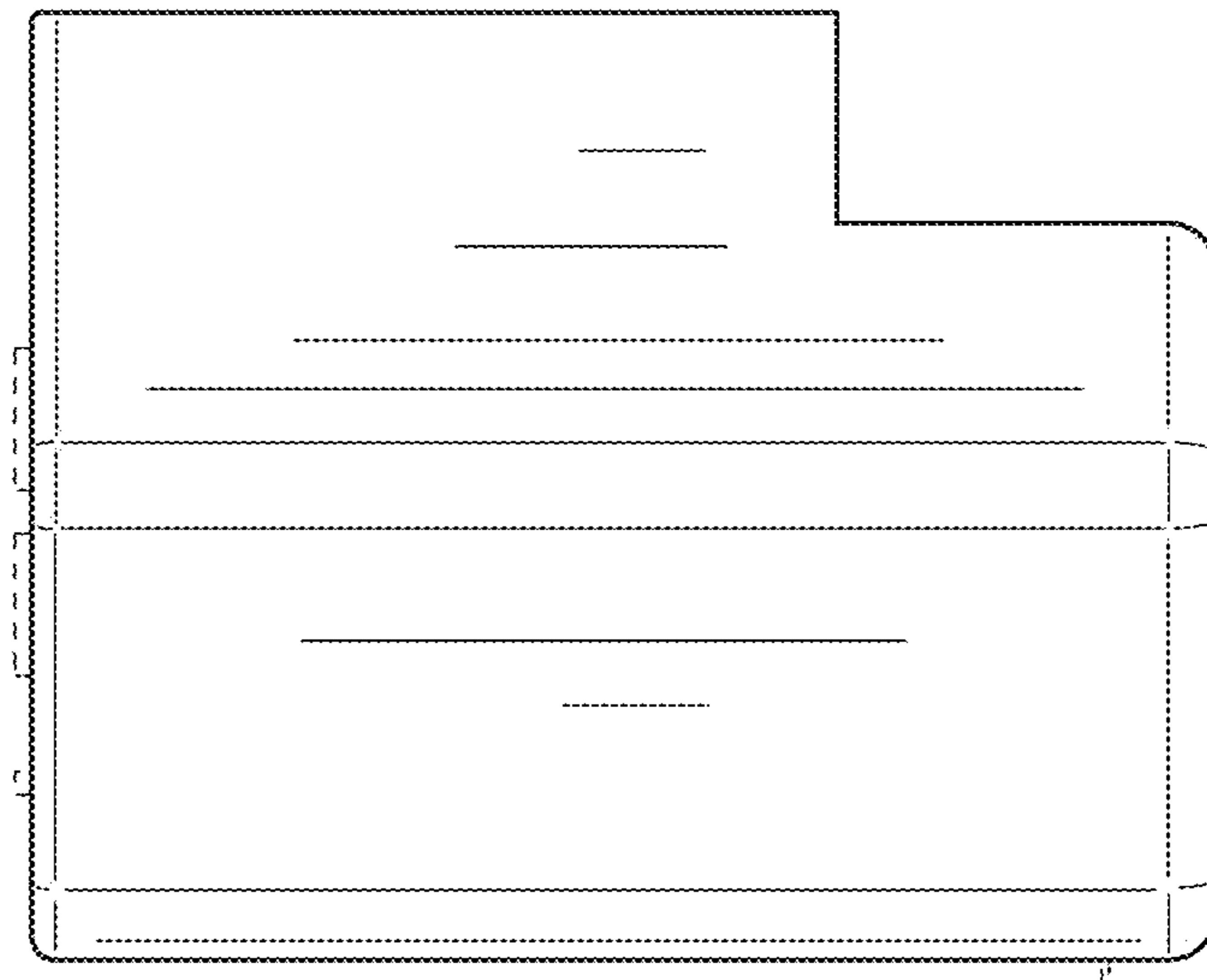


FIG. 3

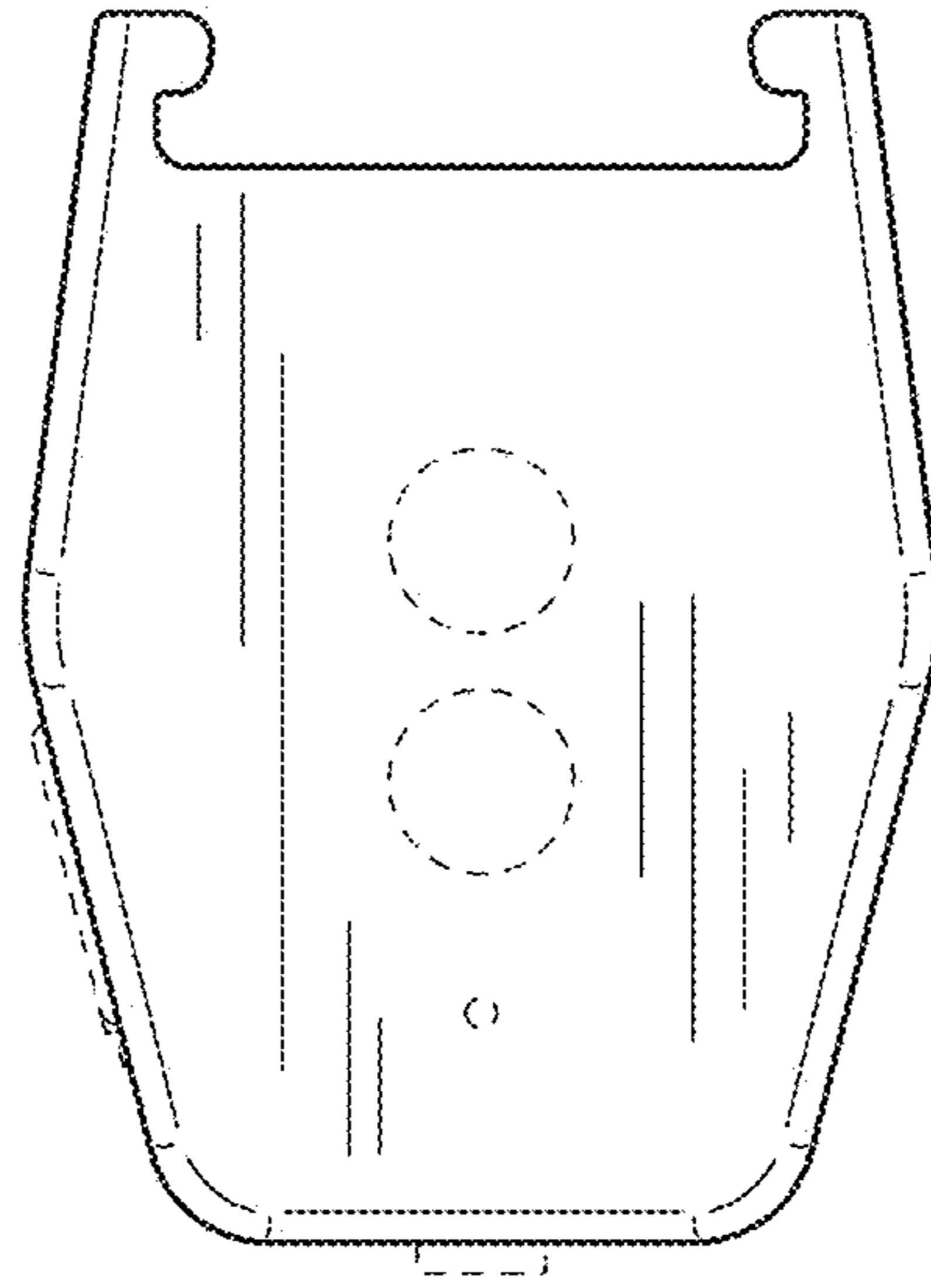


FIG. 4

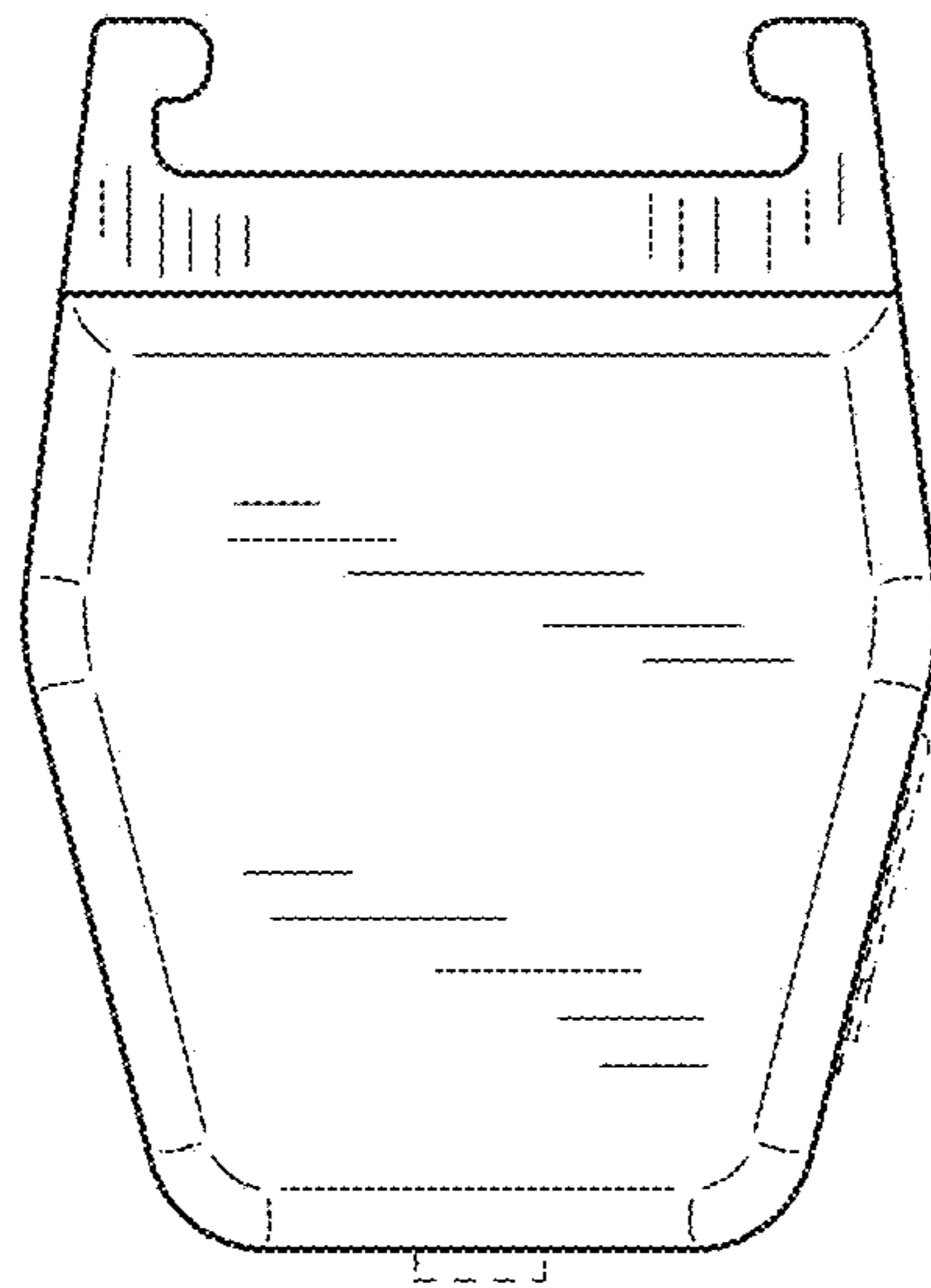


FIG. 5

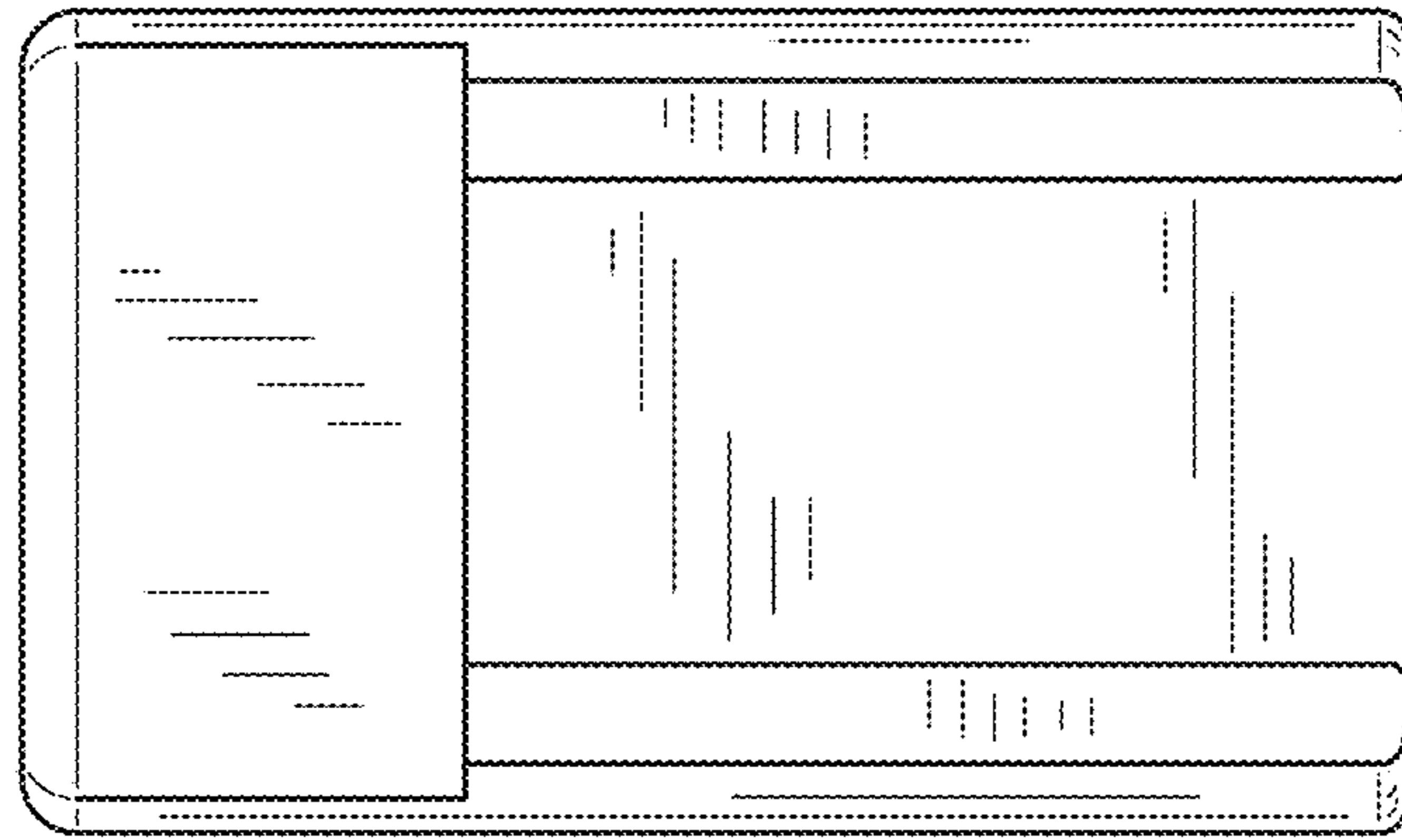


FIG. 6

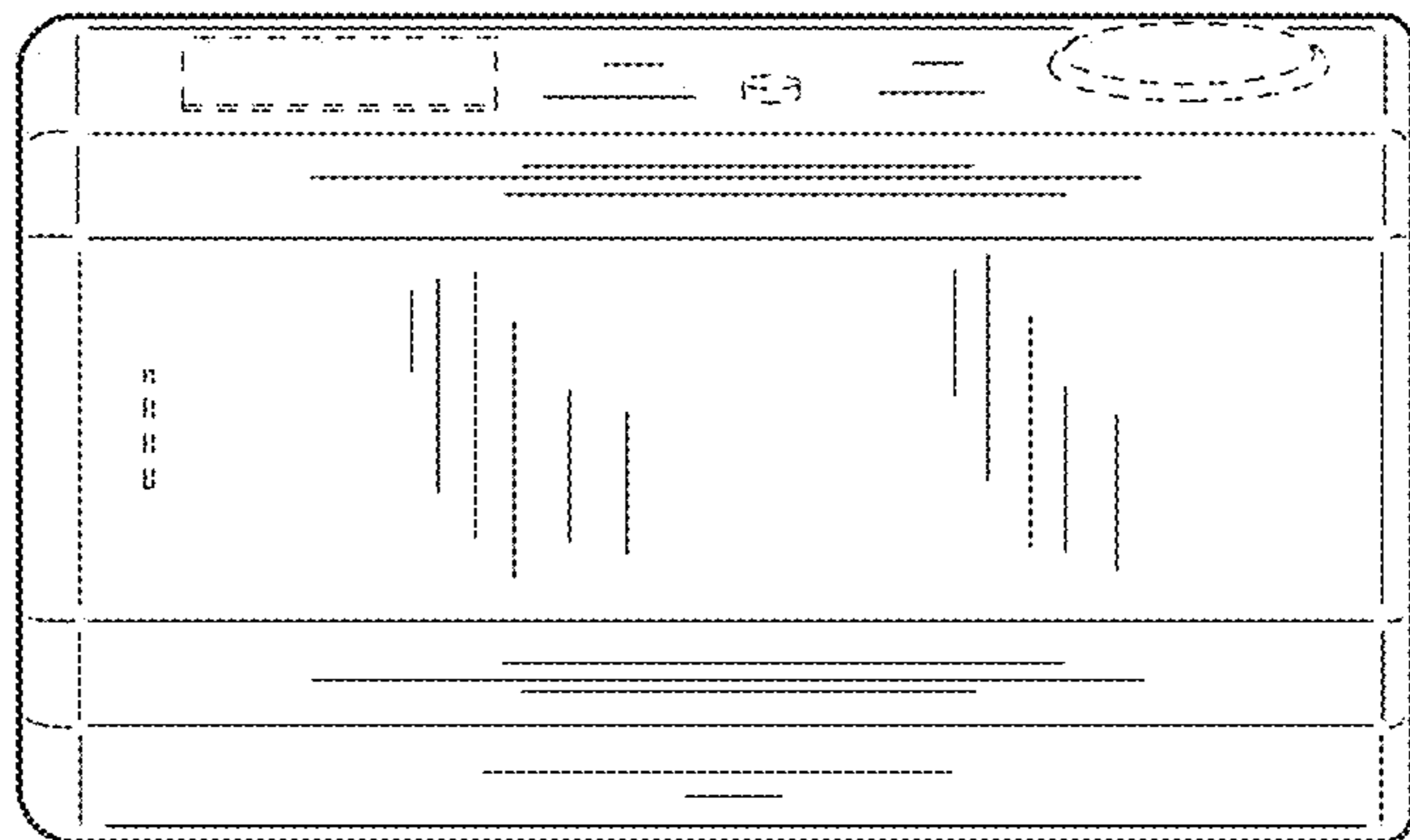


FIG. 7

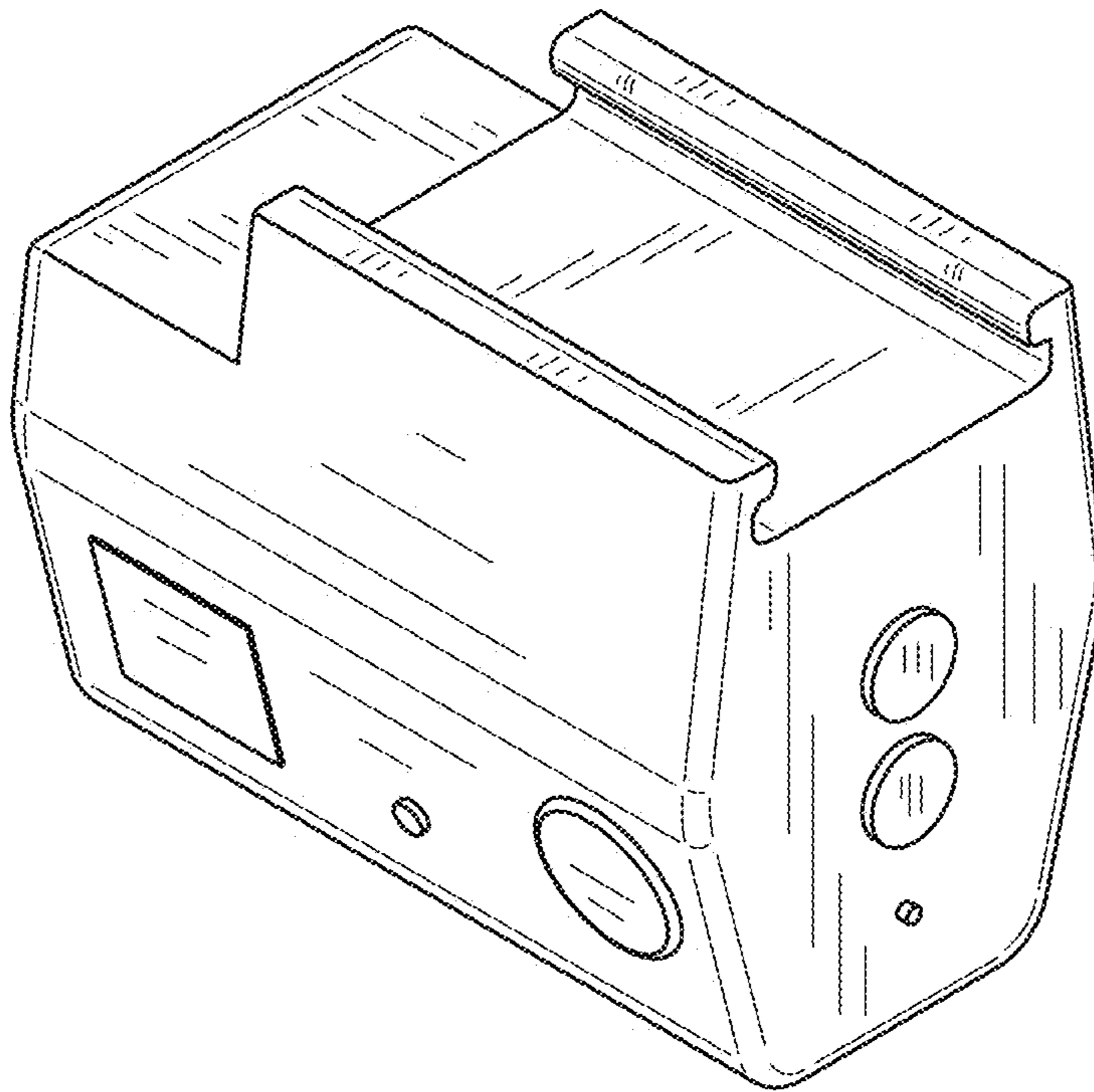


FIG.8

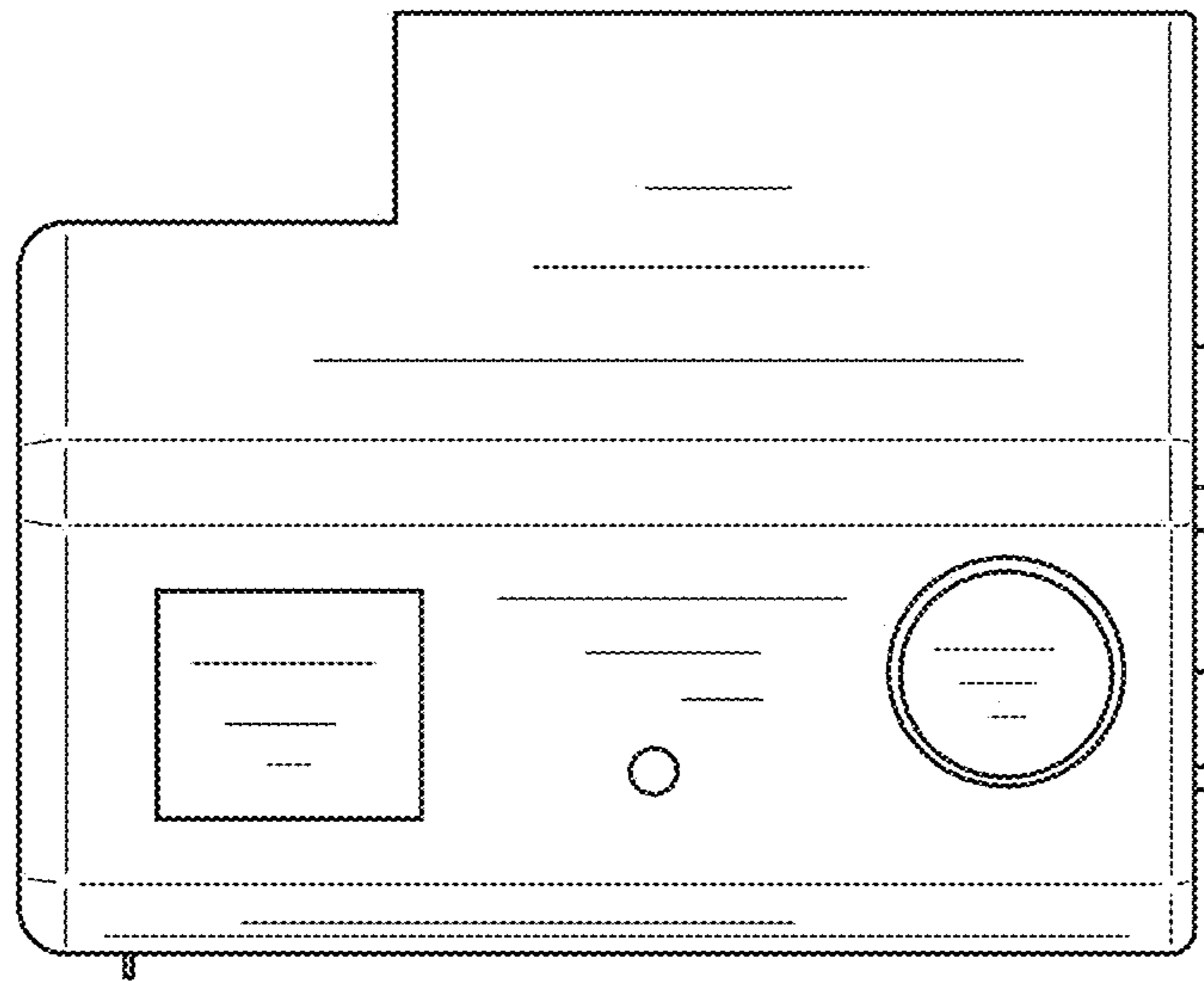


FIG. 9

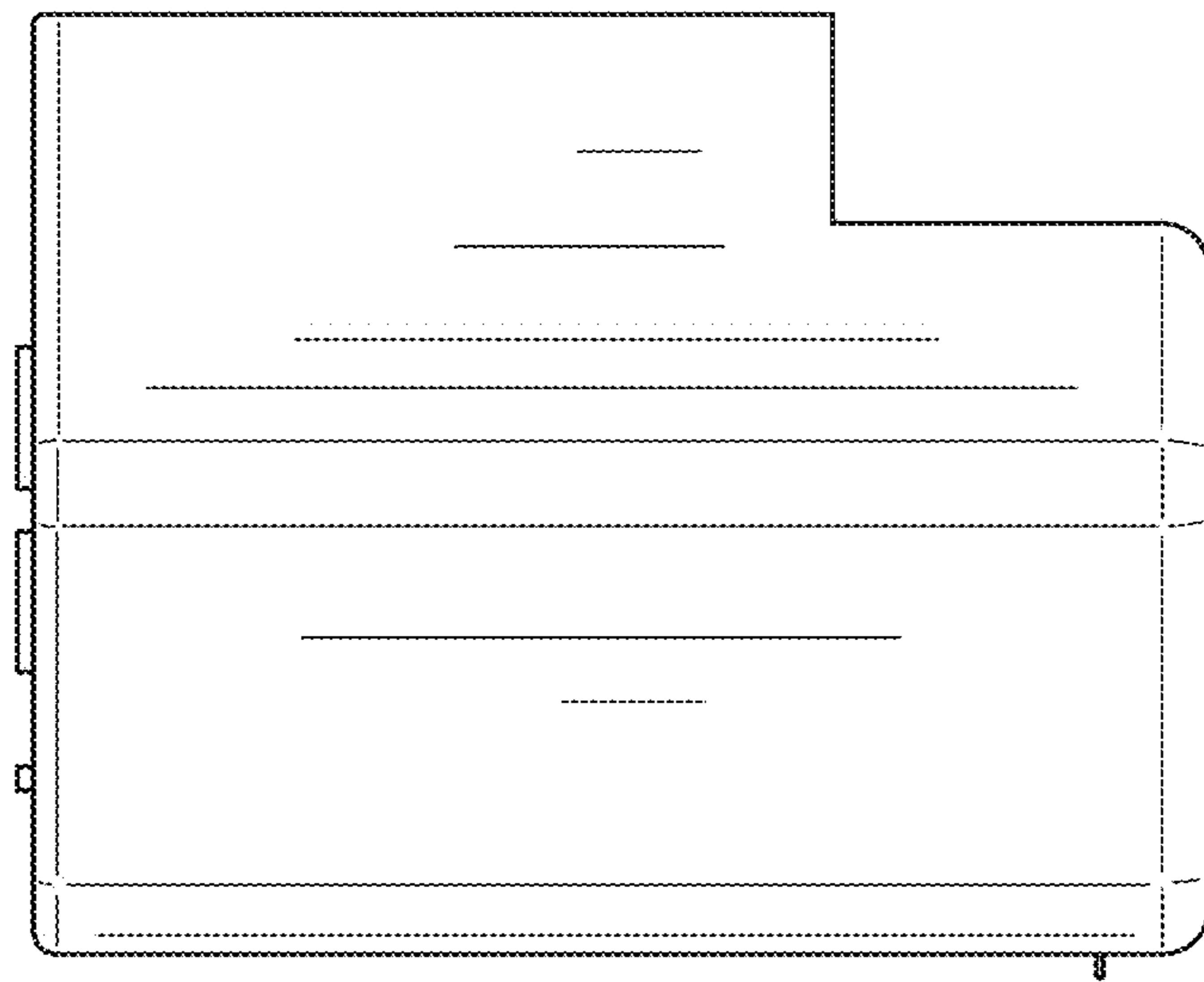


FIG. 10

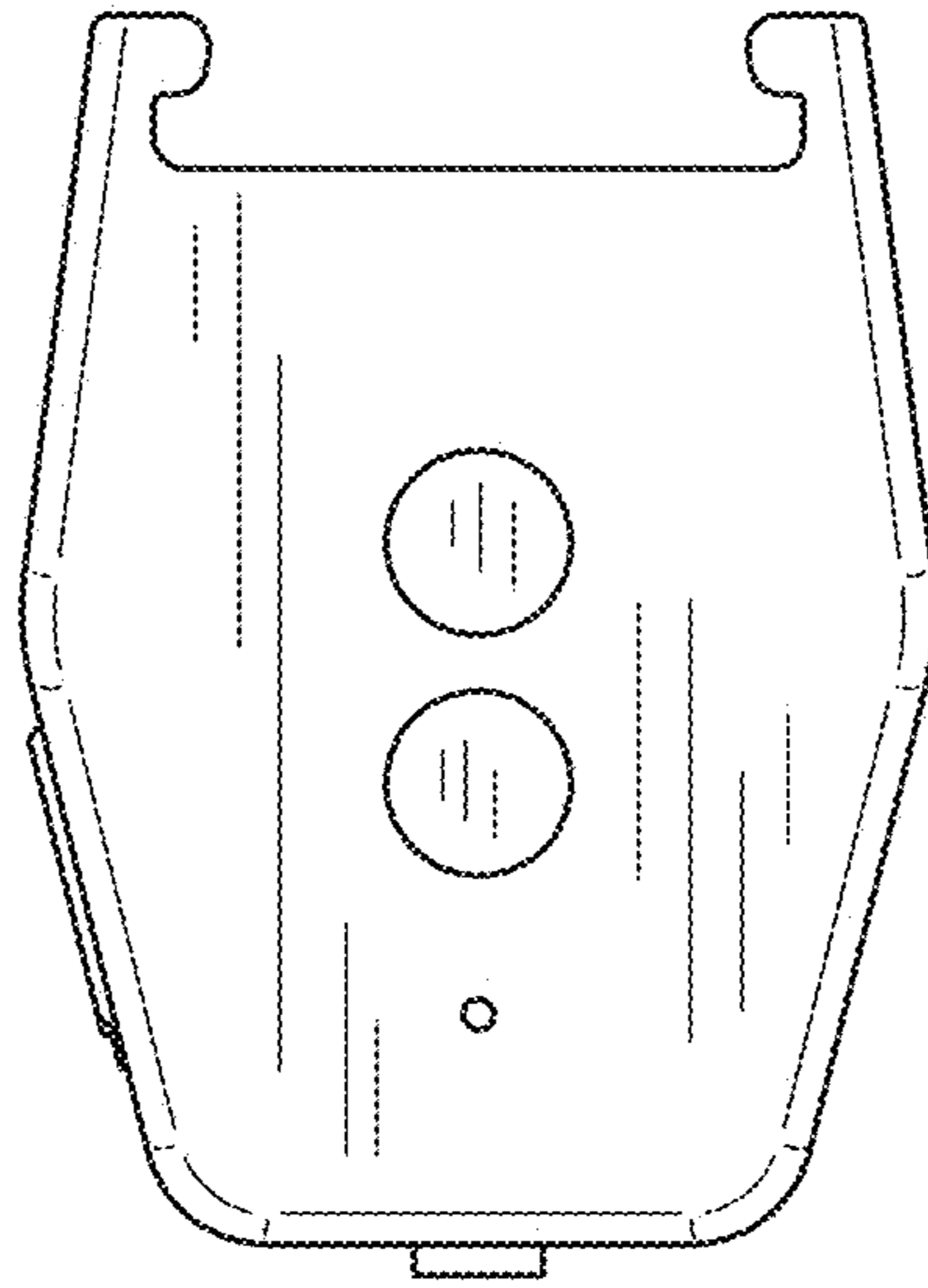


FIG. 11

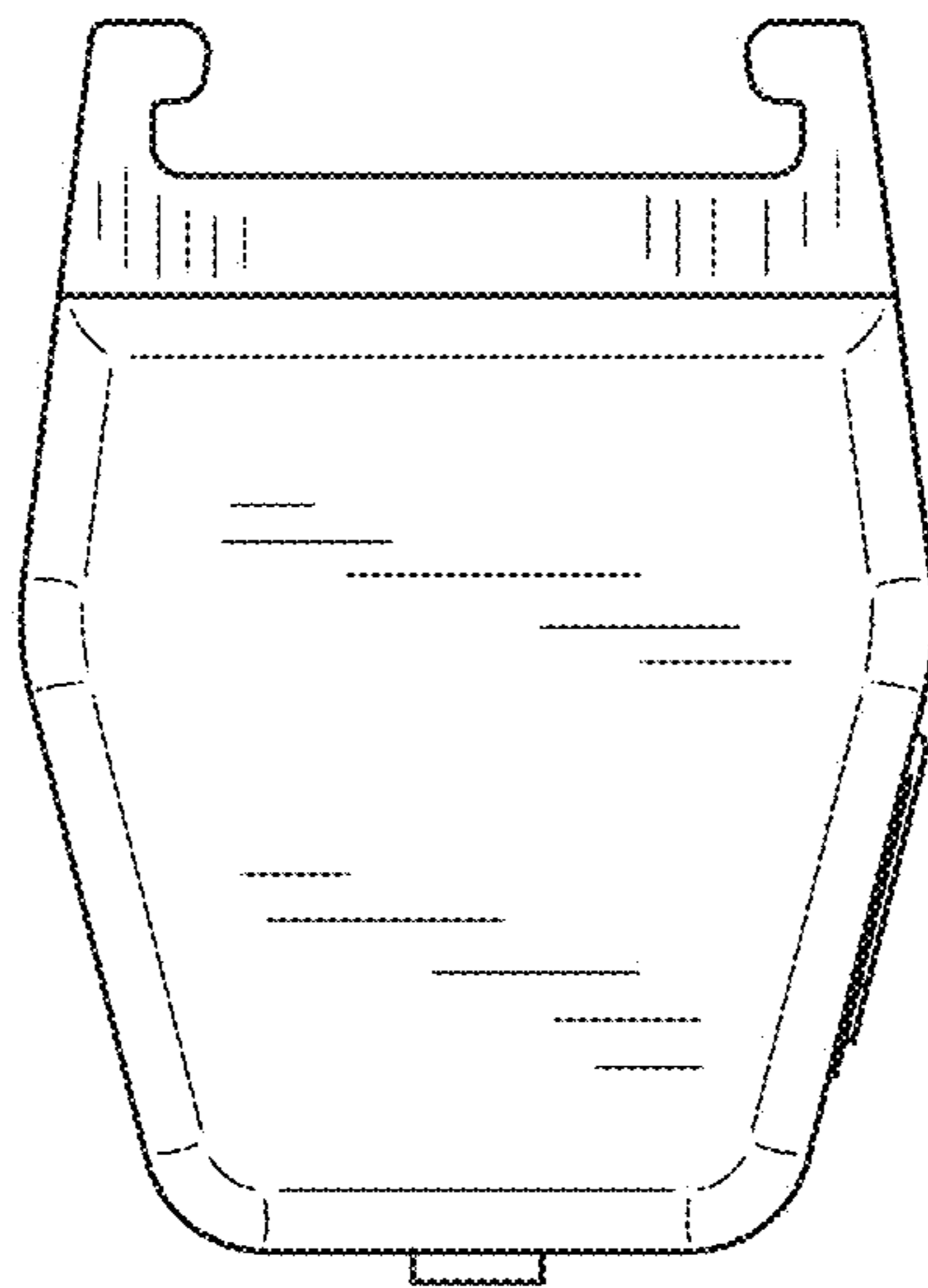


FIG. 12

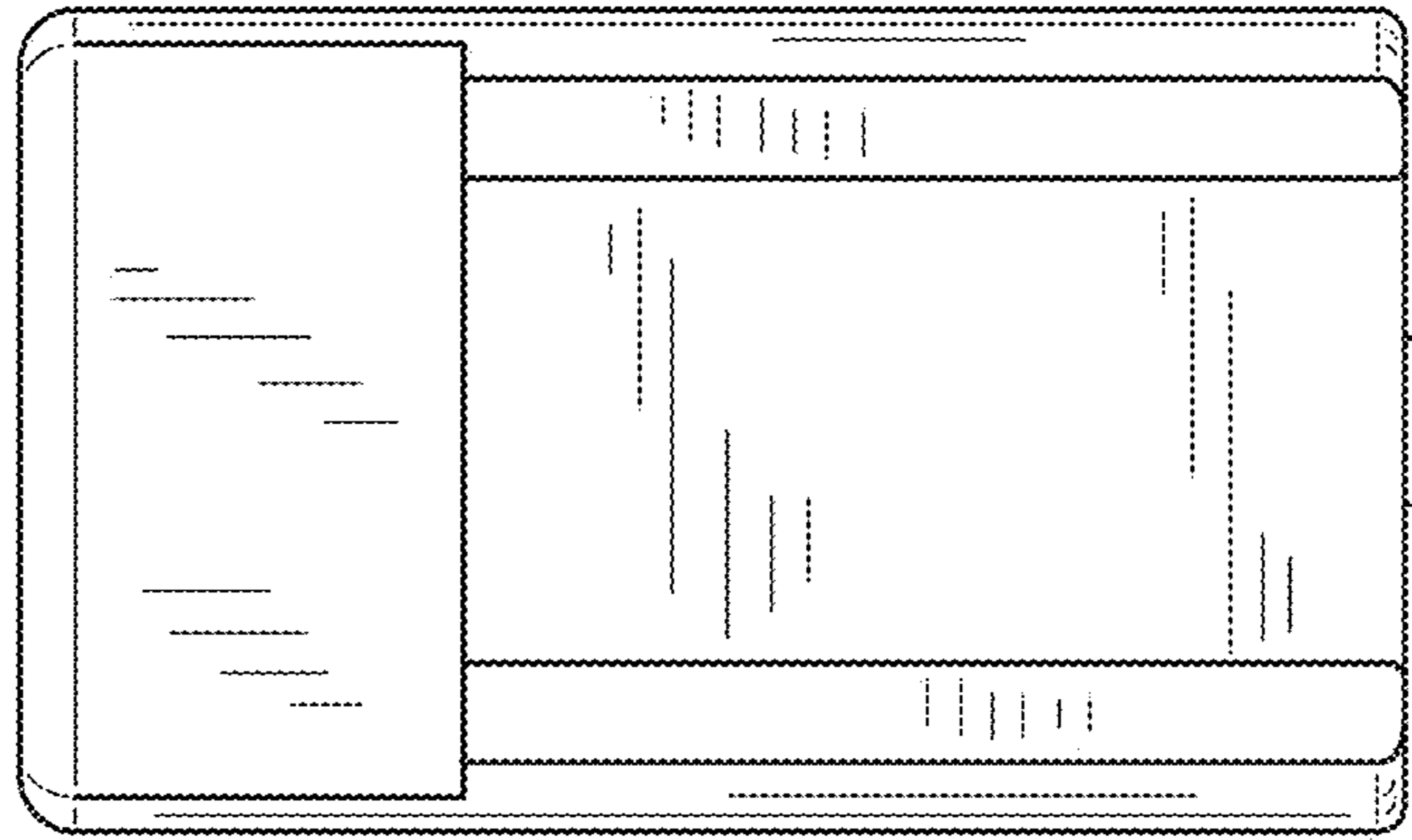


FIG. 13

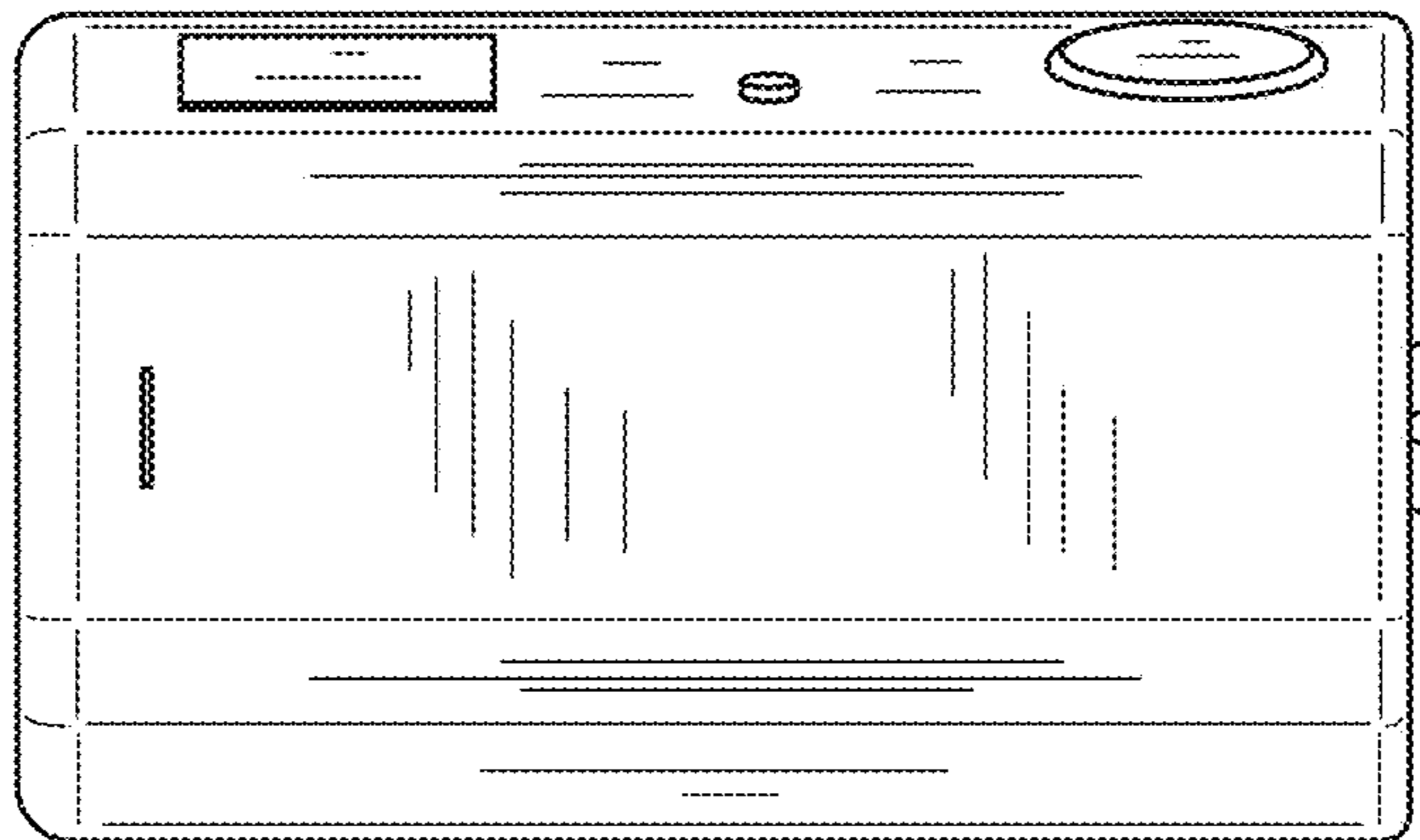


FIG. 14