



US00D749183S

(12) **United States Design Patent**
Richwald et al.

(10) **Patent No.:** **US D749,183 S**
(45) **Date of Patent:** **** Feb. 9, 2016**

(54) **BREECH PLUG FOR DISRUPTER UNIT**

(71) Applicants: **Alan Richwald**, Newton, NJ (US);
Brian Casteel, Stroudsburg, PA (US);
Brent Donahue, Newton, NJ (US);
Michael Freeman, Pompton Lakes, NJ
(US); **Nathan Leniz**, Dover, NJ (US)

(72) Inventors: **Alan Richwald**, Newton, NJ (US);
Brian Casteel, Stroudsburg, PA (US);
Brent Donahue, Newton, NJ (US);
Michael Freeman, Pompton Lakes, NJ
(US); **Nathan Leniz**, Dover, NJ (US)

(73) Assignee: **The United States of America as
Represented by the Secretary of the
Army**, Washington, DC (US)

(**) Term: **14 Years**

(21) Appl. No.: **29/494,618**

(22) Filed: **Jun. 23, 2014**

(51) **LOC (10) Cl.** **22-01**

(52) **U.S. Cl.**
USPC **D22/108**

(58) **Field of Classification Search**
USPC D22/108; D8/382-399; D15/199;
86/57-1.1; 124/56, 63, 65, 74
CPC F41B 9/0046
See application file for complete search history.

(56) **References Cited**

U.S. PATENT DOCUMENTS

5,133,143 A * 7/1992 Knight 42/51
6,219,951 B1 * 4/2001 Cate 42/51
6,490,957 B1 * 12/2002 Alexander et al. 86/50

7,047,862 B1 * 5/2006 Davis et al. 89/1.13
D695,871 S * 12/2013 Donahue et al. D22/112
8,833,223 B1 * 9/2014 Do et al. 86/50
2006/0026881 A1 * 2/2006 Watley 42/51
2007/0137084 A1 * 6/2007 Laney et al. 42/51
2009/0178548 A1 * 7/2009 Tyas et al. 86/50
2012/0096754 A1 * 4/2012 Burczynski 42/95
2012/0240440 A1 * 9/2012 Phair 42/51
2015/0013202 A1 * 1/2015 Hendricks et al. 42/51

* cited by examiner

Primary Examiner — Michael A Pratt

(74) *Attorney, Agent, or Firm* — Michael C. Sachs

(57) **CLAIM**

The ornamental design for a breech plug for disrupter unit, as shown.

DESCRIPTION

The invention described herein may be made or used by or for the U.S. Government for U.S. Government purposes.

FIG. 1 is a top plan view of the breech plug for disrupter unit; FIG. 2 is a right side elevation view of the breech plug for disrupter unit;

FIG. 3 is a front elevation view of the breech plug for disrupter unit;

FIG. 4 is a bottom plan view of the breech plug for disrupter unit;

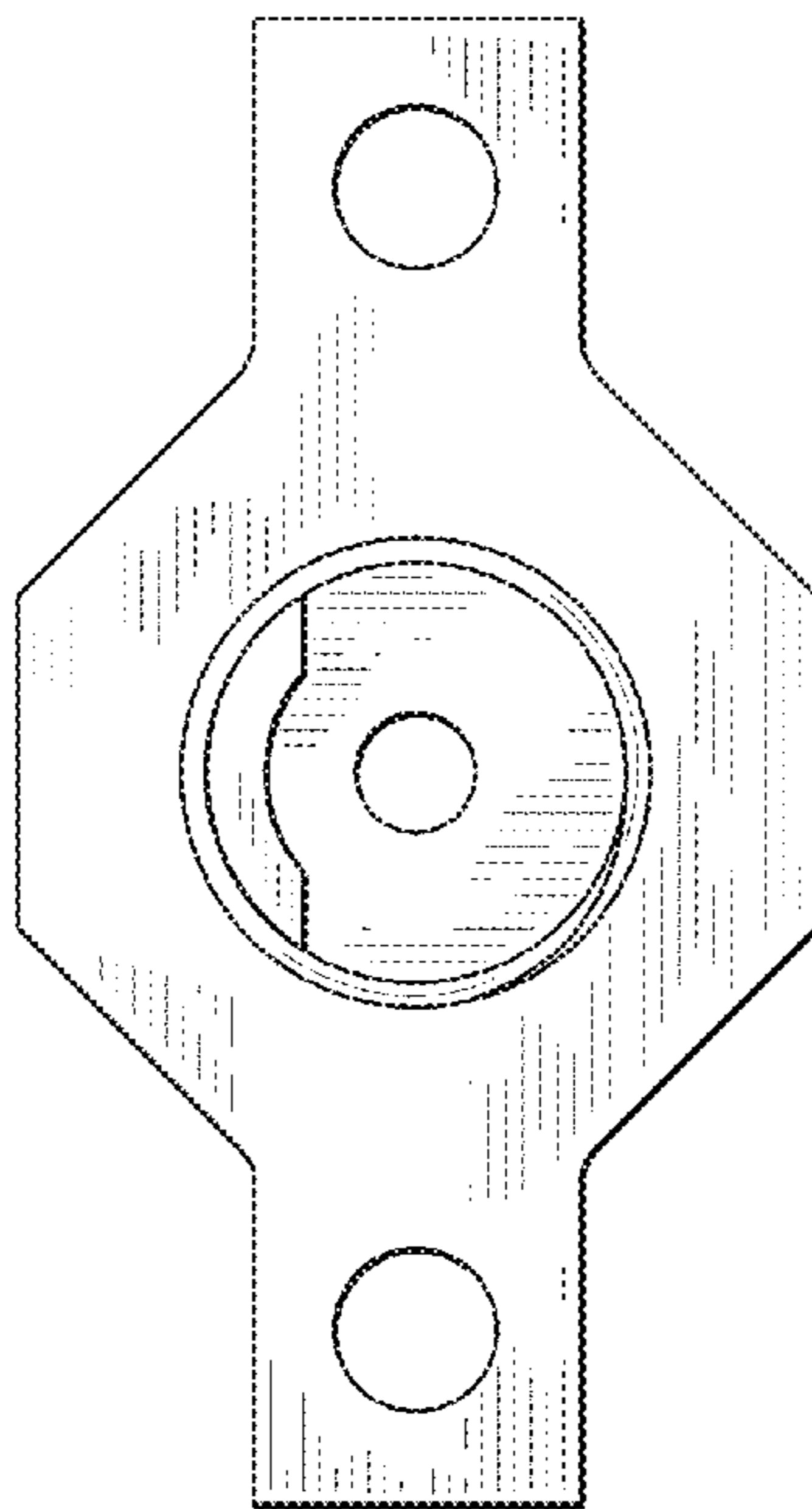
FIG. 5 is a left side elevation view of the breech plug for disrupter unit;

FIG. 6 is a rear elevation view of the breech plug for disrupter unit; and,

FIG. 7 is an isometric view of the breech plug for disrupter unit.

Views are orthogonal projections unless otherwise noted. The various views are not necessarily to scale in order to better illustrate the design.

1 Claim, 4 Drawing Sheets



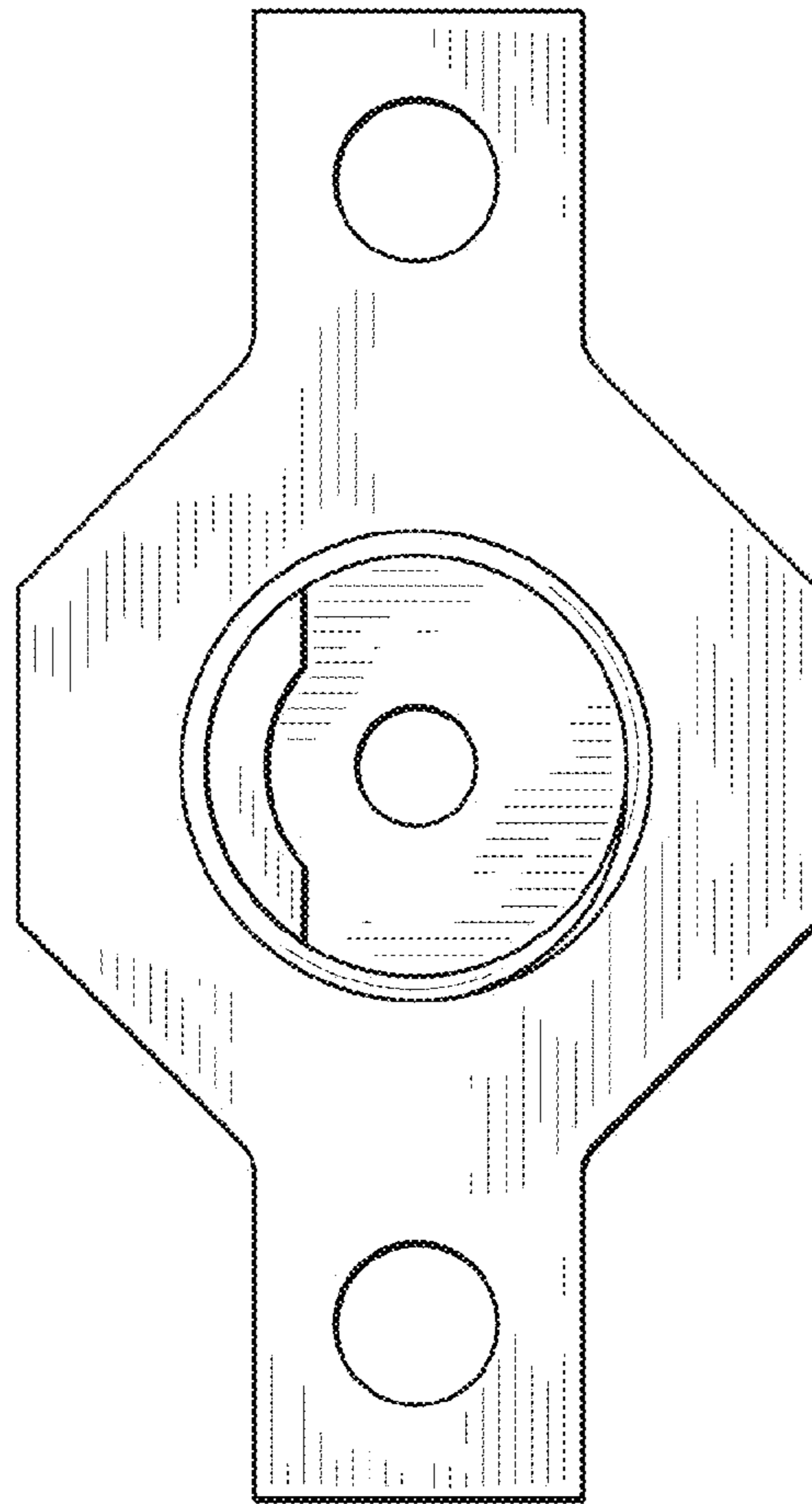


FIG. 1

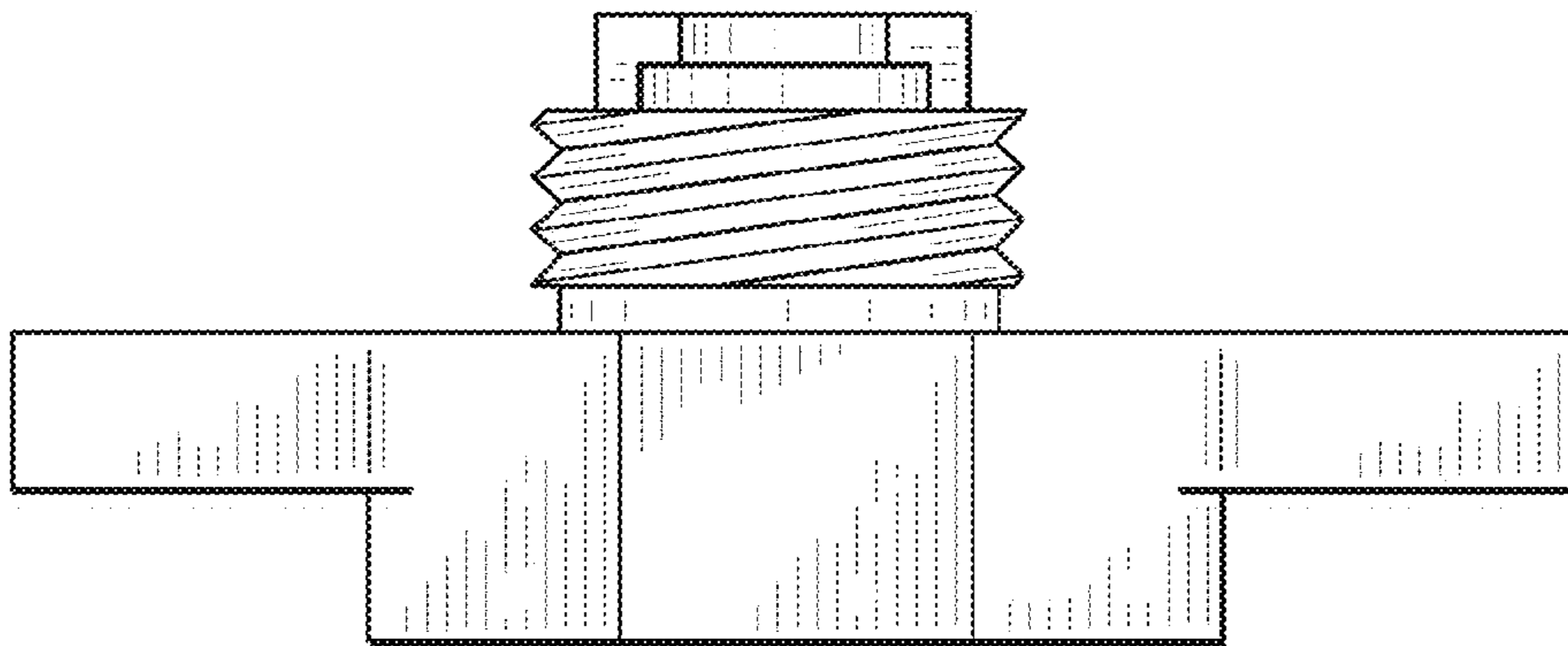


FIG. 2

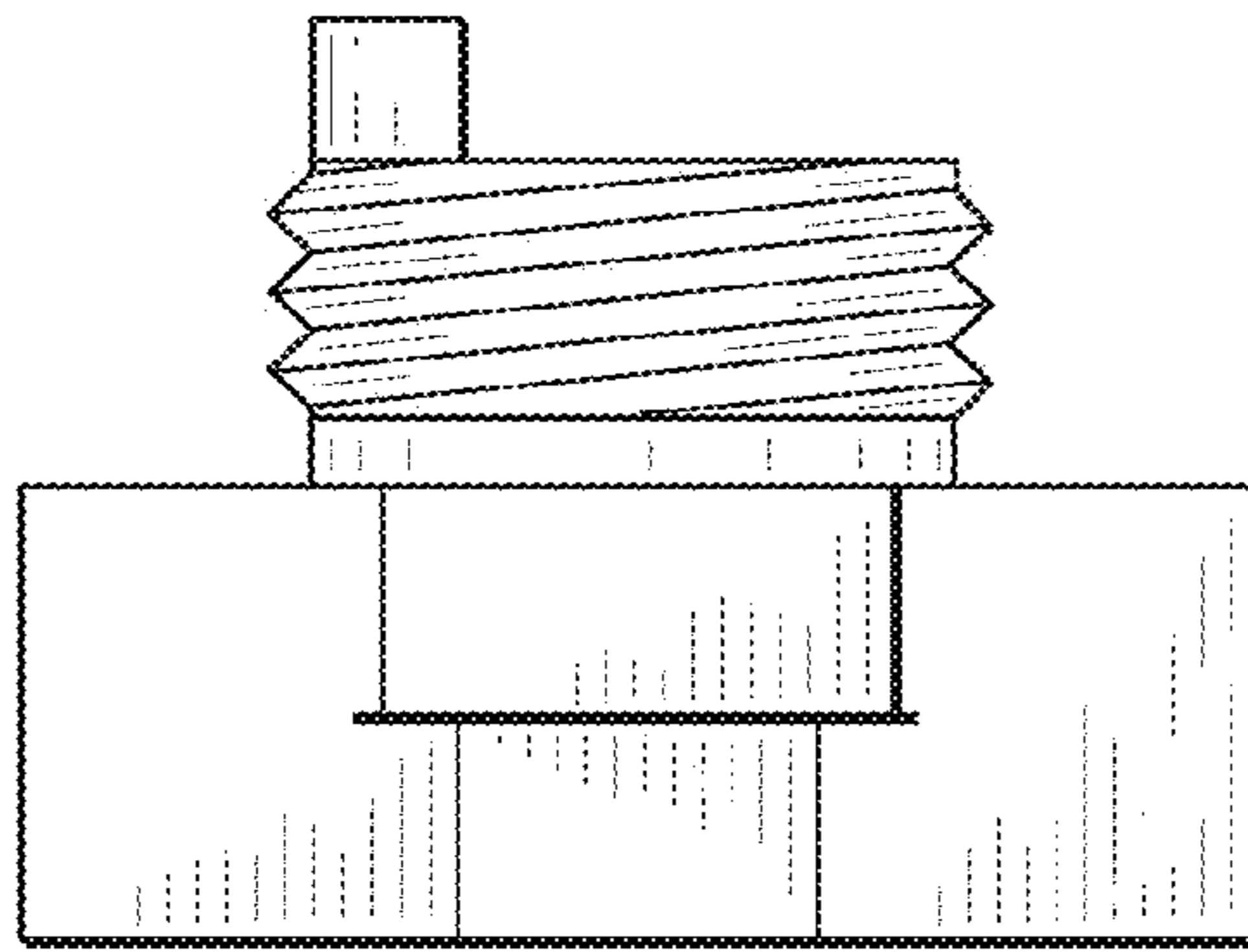


FIG. 3

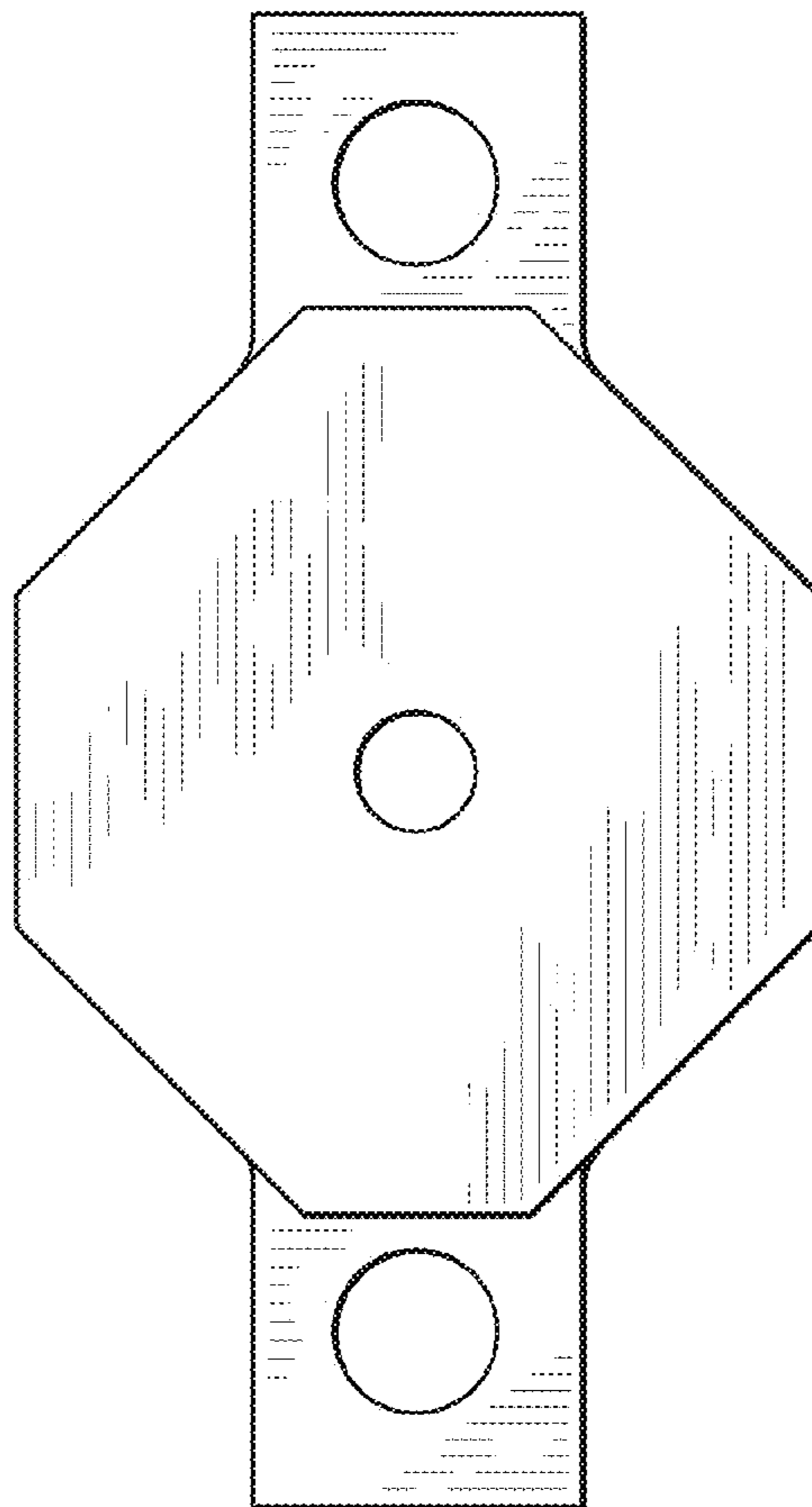


FIG. 4

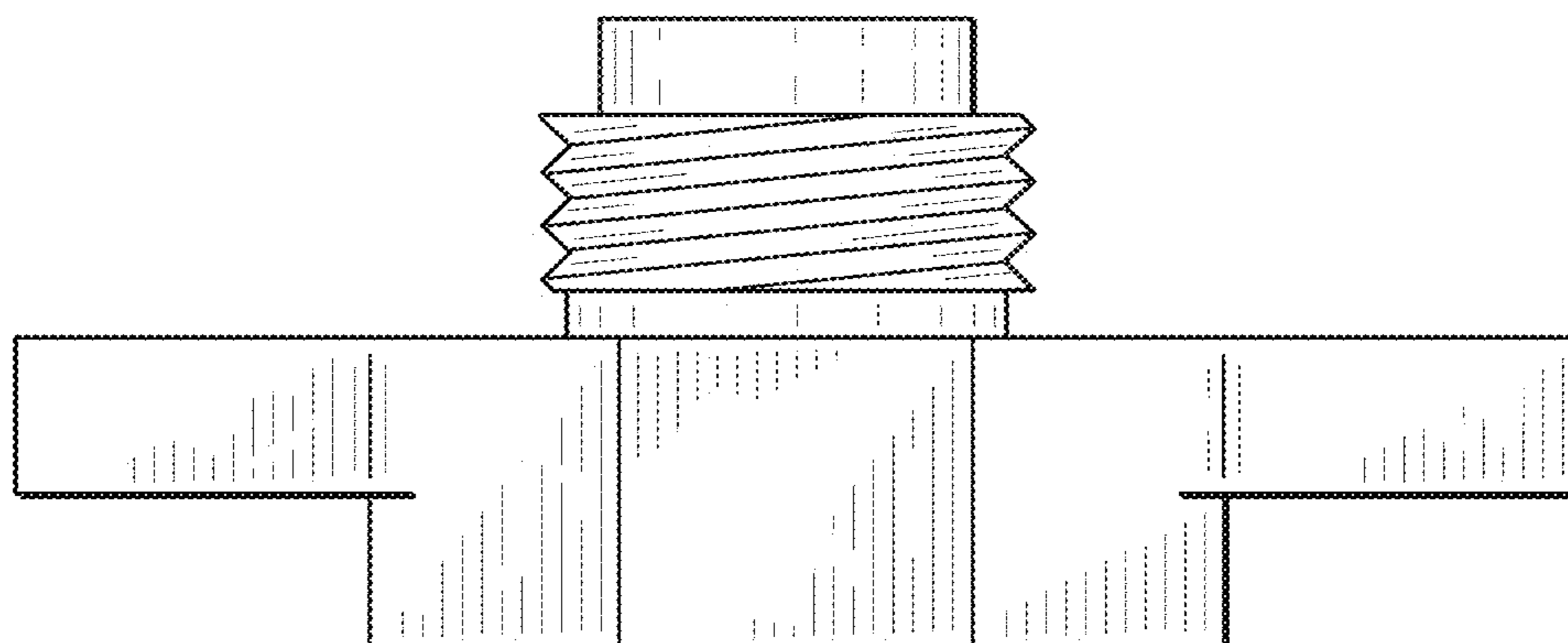


FIG. 5

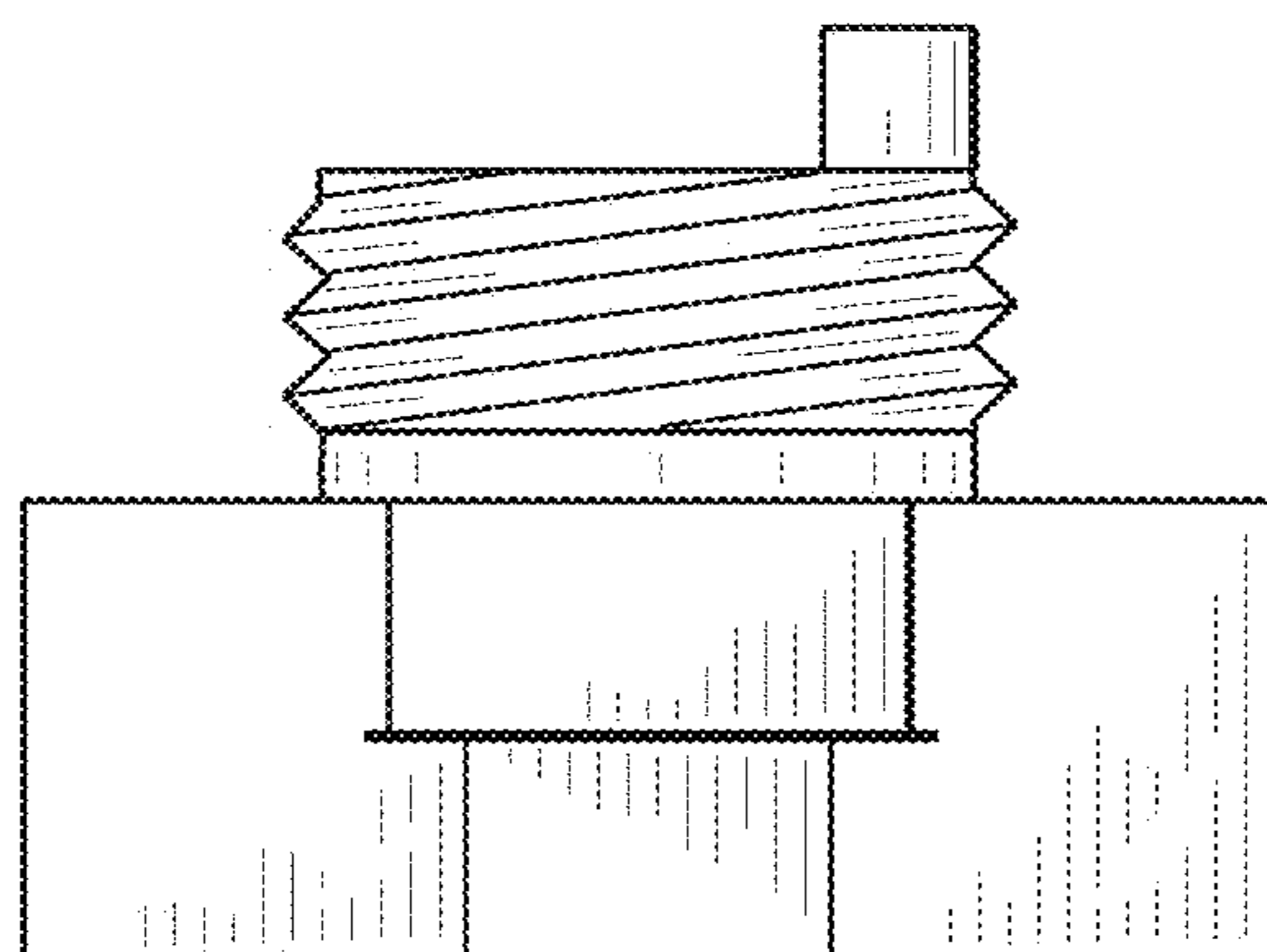


FIG. 6

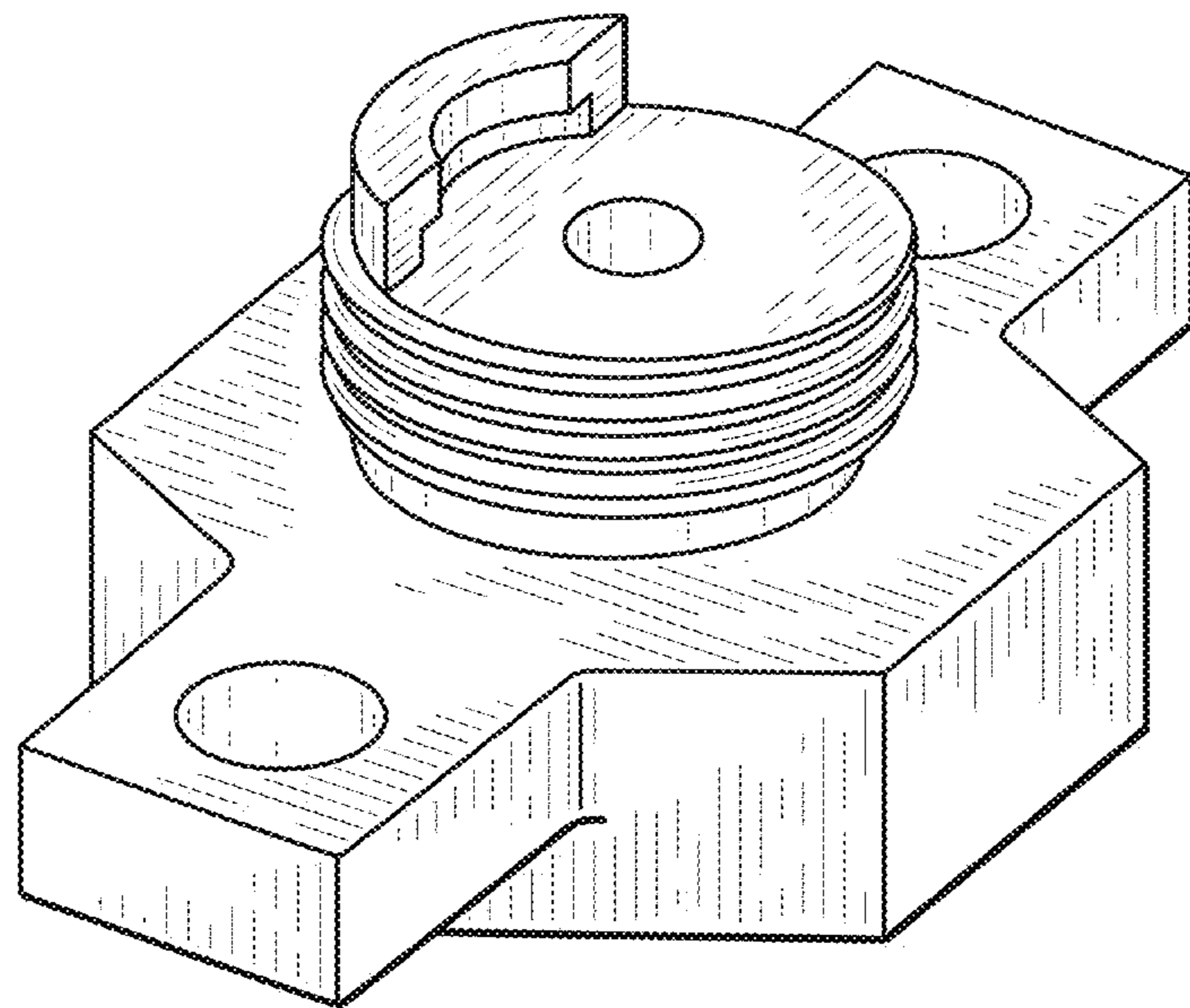


FIG. 7