



US00D749182S

(12) **United States Design Patent**
Rothmann

(10) **Patent No.:** **US D749,182 S**
(45) **Date of Patent:** **** Feb. 9, 2016**

(54) **REVOLVER**

(71) Applicant: **Martin Konrad Rothmann,**
Ebsdorfergrund (DE)

(72) Inventor: **Martin Konrad Rothmann,**
Ebsdorfergrund (DE)

(**) Term: **14 Years**

(21) Appl. No.: **29/503,299**

(22) Filed: **Sep. 24, 2014**

(51) **LOC (10) Cl.** **22-01**

(52) **U.S. Cl.**
USPC **D22/104**

(58) **Field of Classification Search**
USPC D22/104
CPC F41C 3/14; F41C 3/16; F41C 3/04
See application file for complete search history.

(56) **References Cited**

U.S. PATENT DOCUMENTS

- 3,810,326 A * 5/1974 Hillberg F41C 3/14
42/59
- 3,820,267 A * 6/1974 Replogle et al. F41C 3/10
42/58
- 4,391,057 A * 7/1983 Bornancini F41A 19/53
42/65
- 4,625,445 A * 12/1986 Ruger F41C 23/10
42/71.02
- D316,587 S * 4/1991 Sanford D22/104
- 6,357,157 B1 * 3/2002 Constant F41A 19/68

- 6,412,208 B1 * 7/2002 Mikuta F41G 1/345
42/132
- D637,254 S * 5/2011 Uedelhoven D22/104
- 8,359,777 B2 * 1/2013 Zajk F41A 3/66
42/59
- D707,781 S * 6/2014 Tusting D22/104
- 2013/0036643 A1 * 2/2013 Lawing F41C 3/14
42/59
- 2014/0047752 A1 * 2/2014 Tusting F41A 17/00
42/66

* cited by examiner

Primary Examiner — Michaela A Pratt

(74) *Attorney, Agent, or Firm* — Smartpat PLC

(57) **CLAIM**

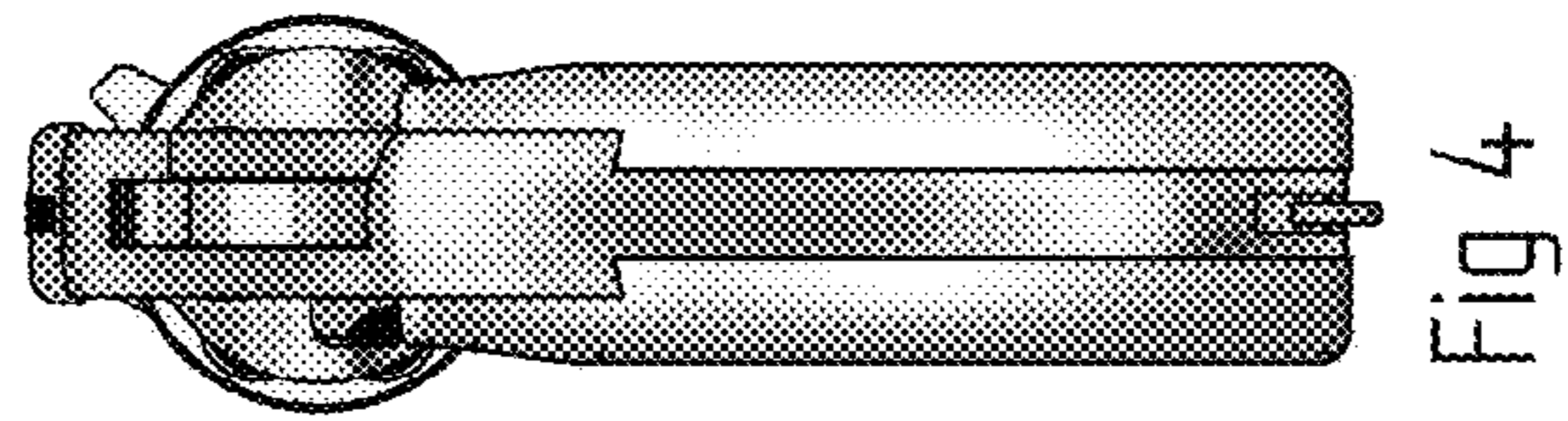
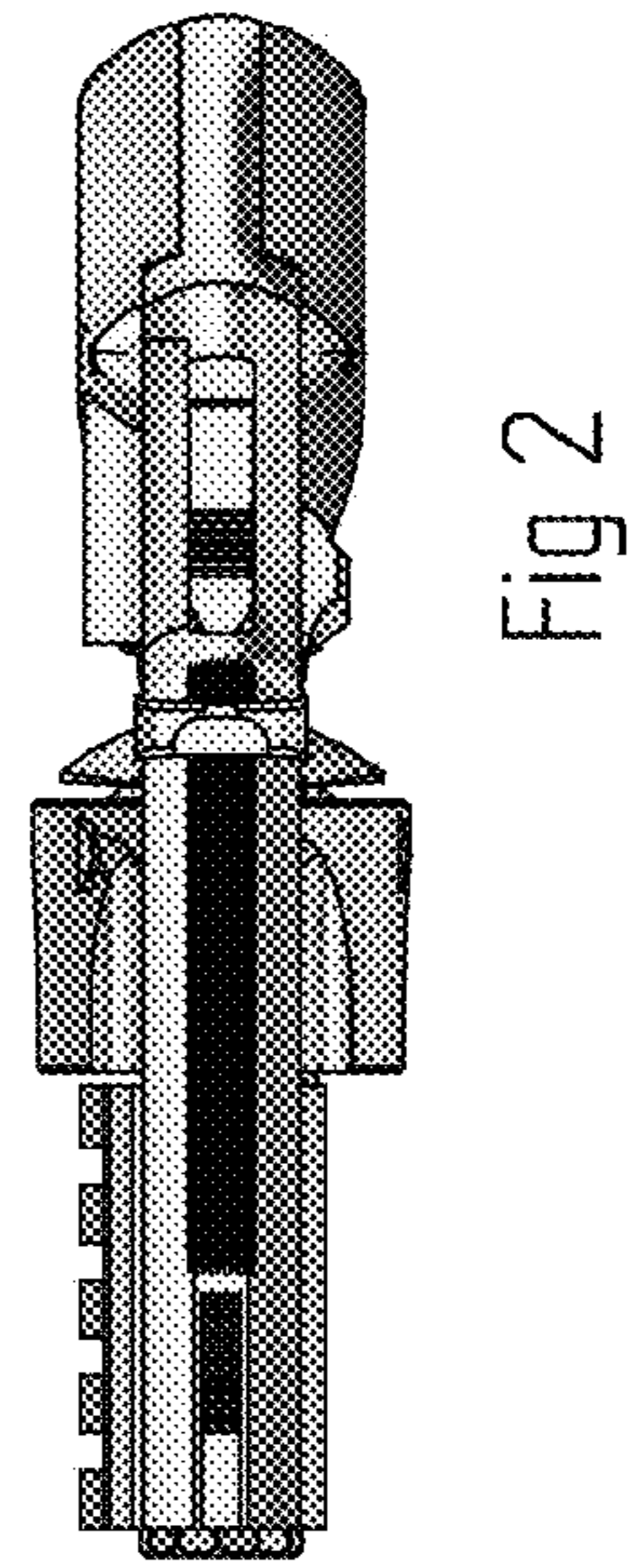
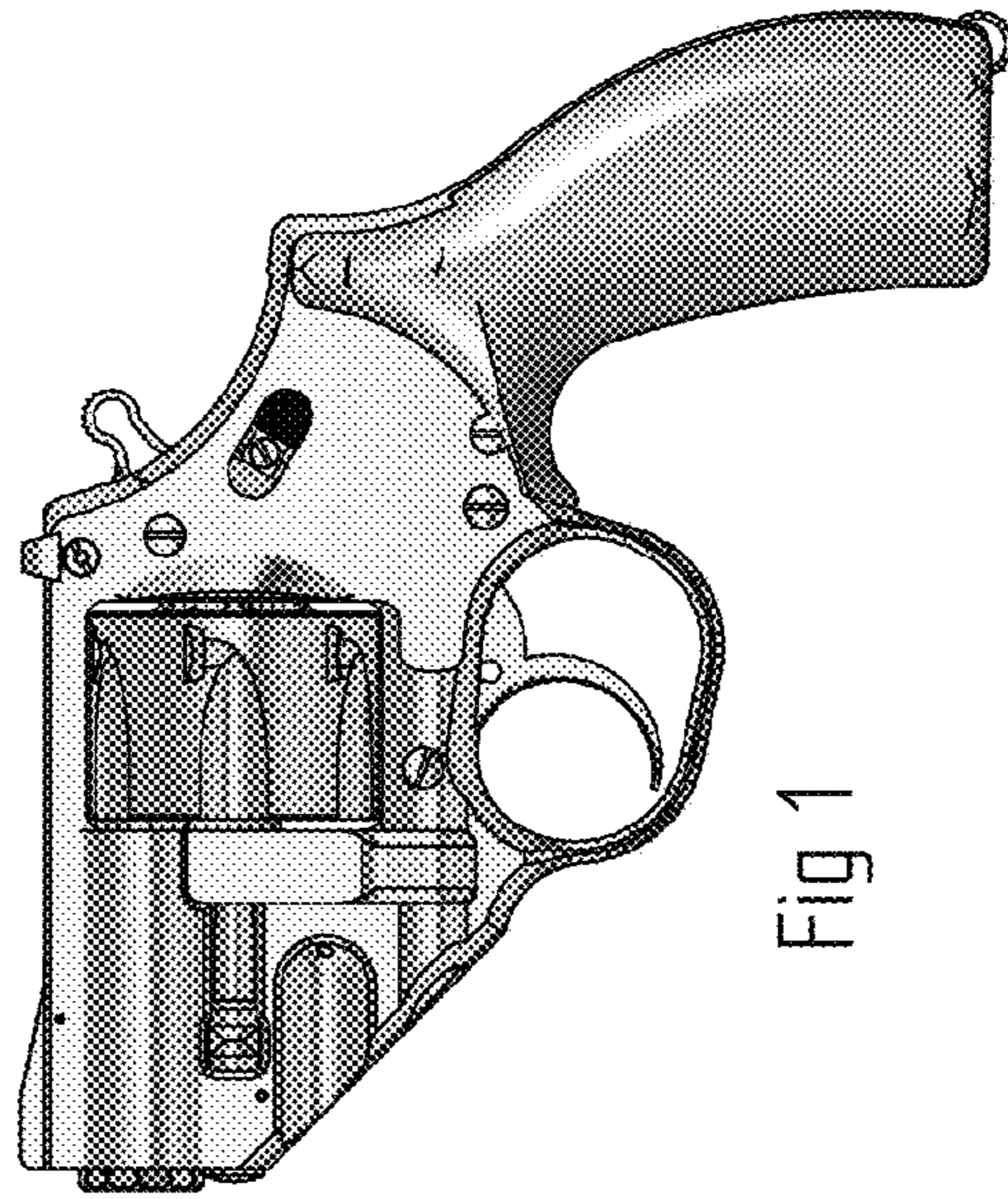
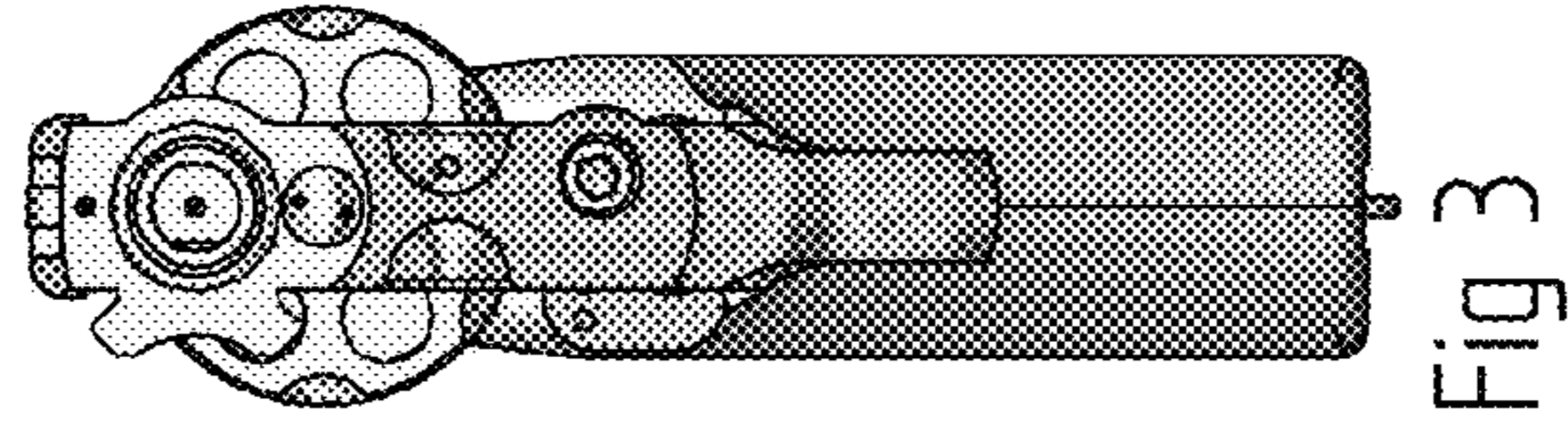
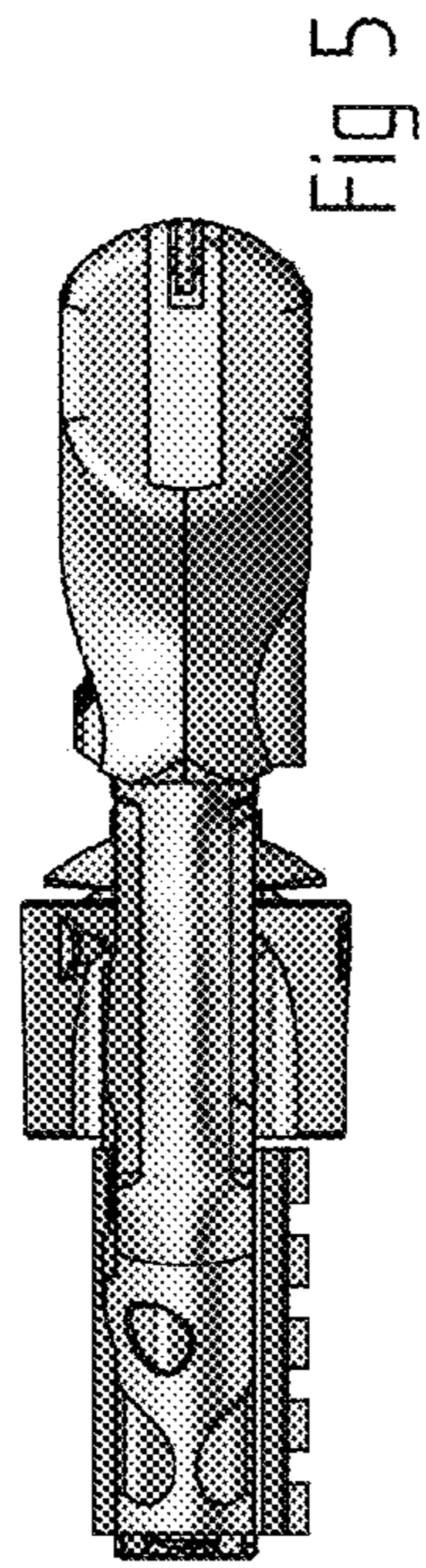
I claim the ornamental design for a revolver, as shown and described.

DESCRIPTION

FIG. 1 is a left side view of a revolver showing my new design;
FIG. 2 is a top view thereof;
FIG. 3 is a front view thereof;
FIG. 4 is a rear view thereof;
FIG. 5 is a bottom view thereof;
FIG. 8 is a top, rear, right side perspective view thereof;
FIG. 7 is a top, rear, left side perspective view thereof; and,
FIG. 8 is a right side view thereof.

1 Claim, 2 Drawing Sheets





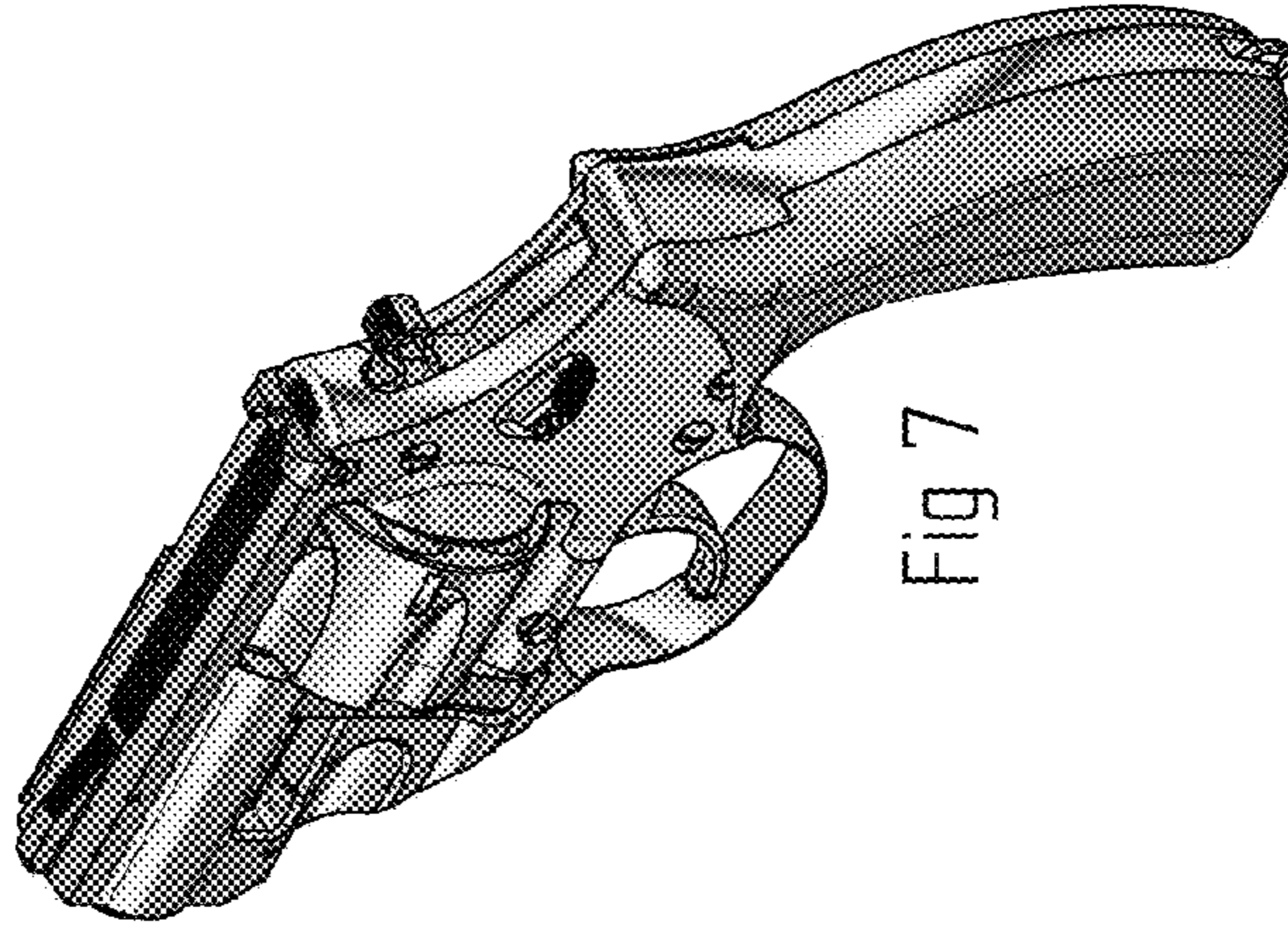


Fig 7

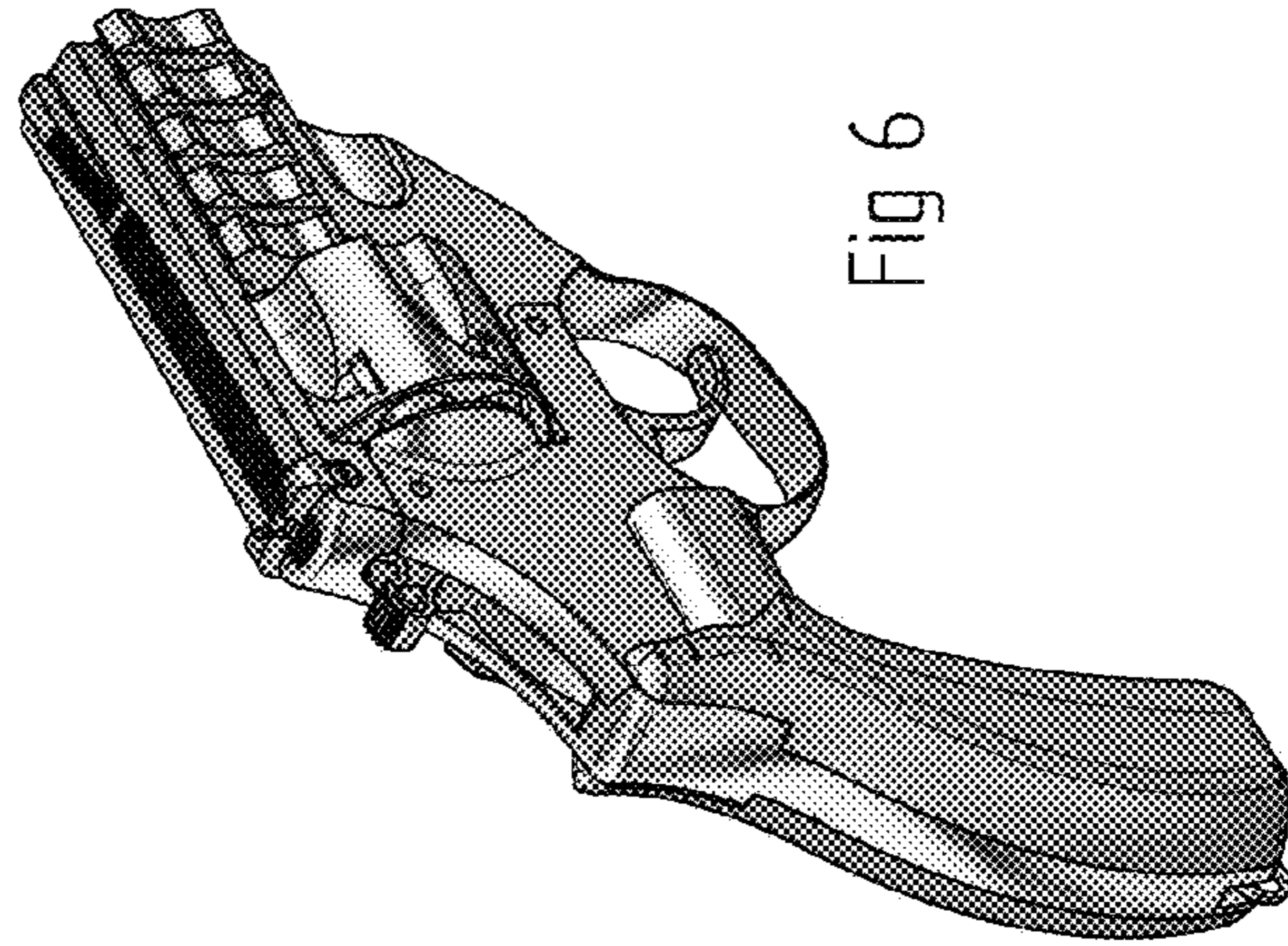


Fig 6

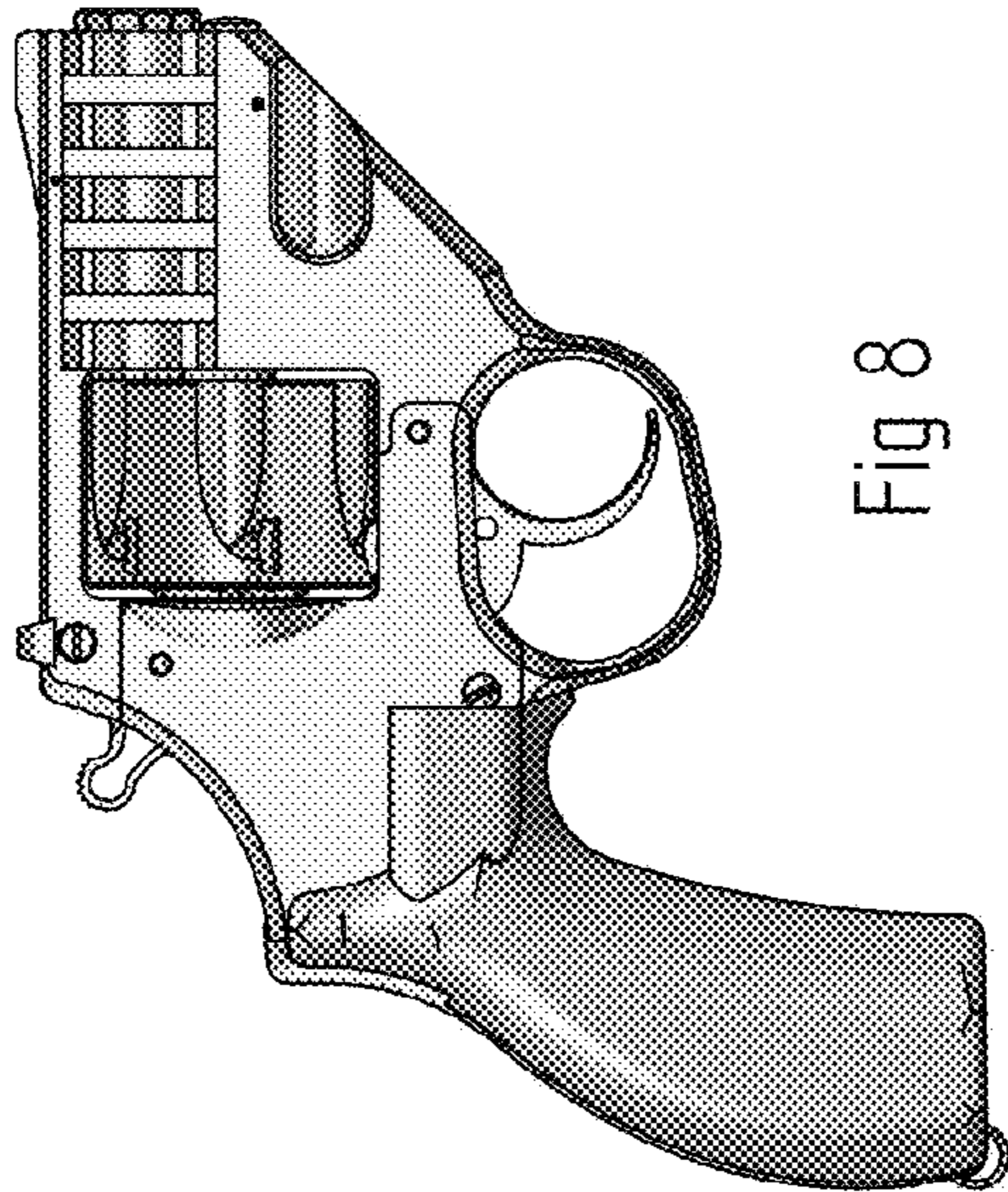


Fig 8