



US00D749180S

(12) **United States Design Patent**
Goldreyer

(10) **Patent No.:** **US D749,180 S**

(45) **Date of Patent:** **** Feb. 9, 2016**

- (54) **FLEXIBLE WATER SLIDE**
- (71) Applicant: **Super Sweet Air, Inc.**, Austin, TX (US)
- (72) Inventor: **Eric Goldreyer**, Austin, TX (US)
- (73) Assignee: **Super Sweet Air, Inc.**, Austin, TX (US)
- (**) Term: **14 Years**
- (21) Appl. No.: **29/515,288**
- (22) Filed: **Jan. 21, 2015**
- (51) **LOC (10) Cl.** **21-03**
- (52) **U.S. Cl.**
USPC **D21/819**
- (58) **Field of Classification Search**
CPC A63G 21/18
See application file for complete search history.

- 5,154,671 A * 10/1992 Smollar A63G 21/18
472/117
- 5,551,922 A * 9/1996 Katz A63G 21/18
4/494
- D382,619 S * 8/1997 Peterson D21/818

* cited by examiner

Primary Examiner — Mitchell Siegel

(74) *Attorney, Agent, or Firm* — DuBois, Bryant & Campbell LLP; William D. Wiese

(57) **CLAIM**

The ornamental design for flexible water slide, as shown and described.

DESCRIPTION

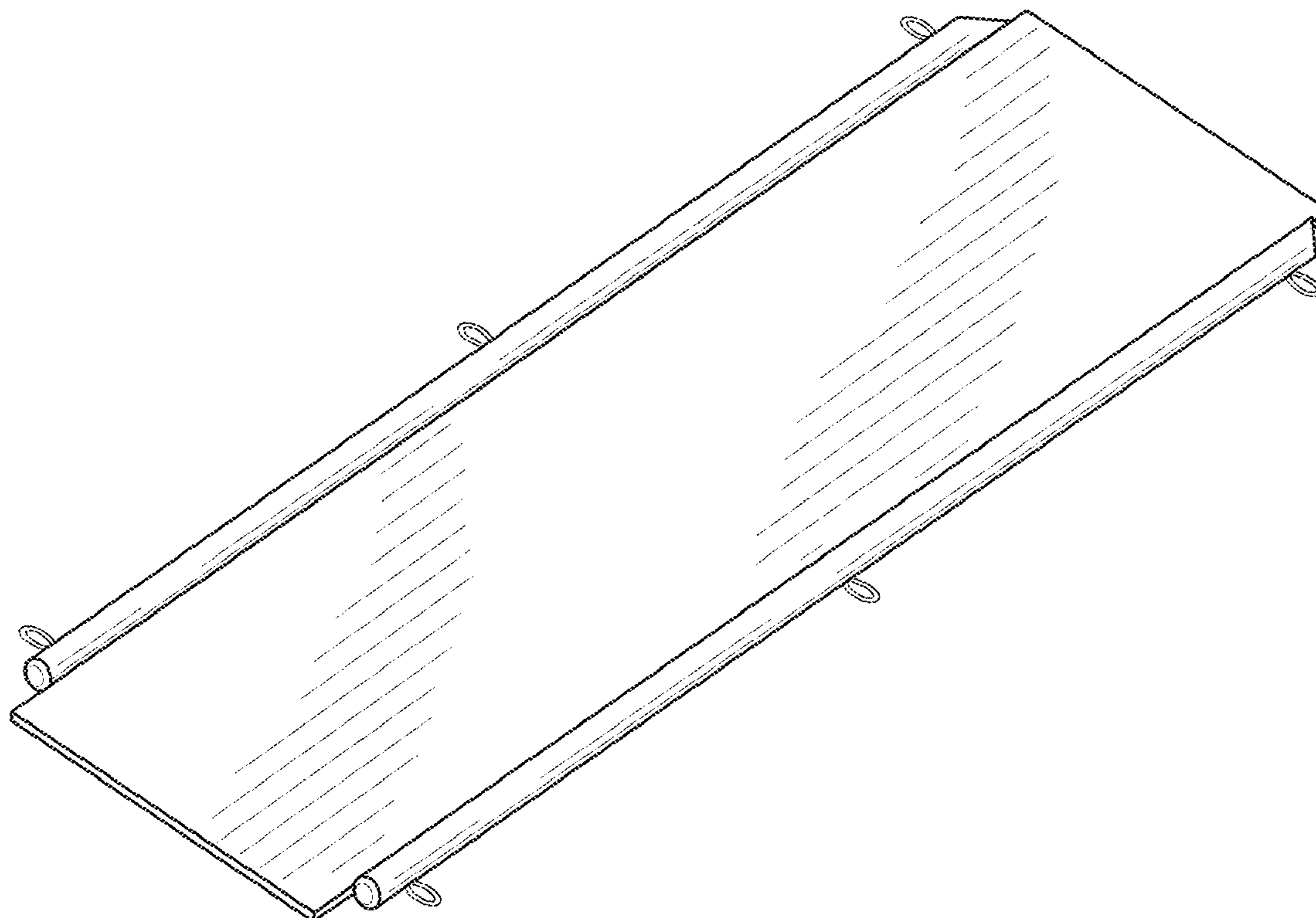
FIG. 1 is a front left isometric view of the flexible water slide of the present invention;
FIG. 2 is a top view thereof;
FIG. 3 is a bottom view thereof;
FIG. 4 is a left view thereof;
FIG. 5 is a right view thereof;
FIG. 6 is a front view thereof; and,
FIG. 7 is a rear view thereof.

1 Claim, 3 Drawing Sheets

(56) **References Cited**

U.S. PATENT DOCUMENTS

- 2,982,547 A * 5/1961 Carrier A63G 21/18
104/69
- D260,276 S * 8/1981 Gehlbach D21/797



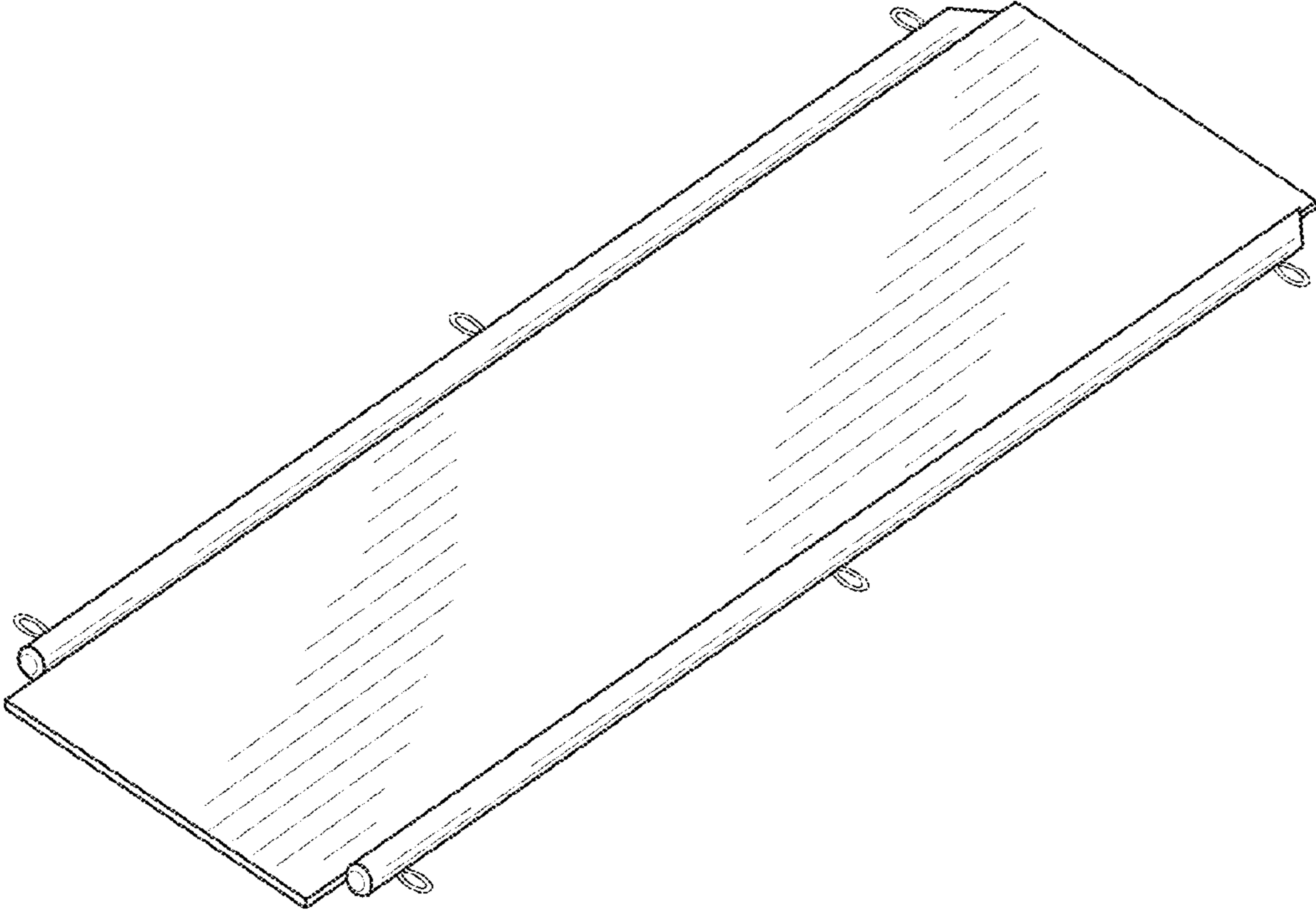


FIG. 1

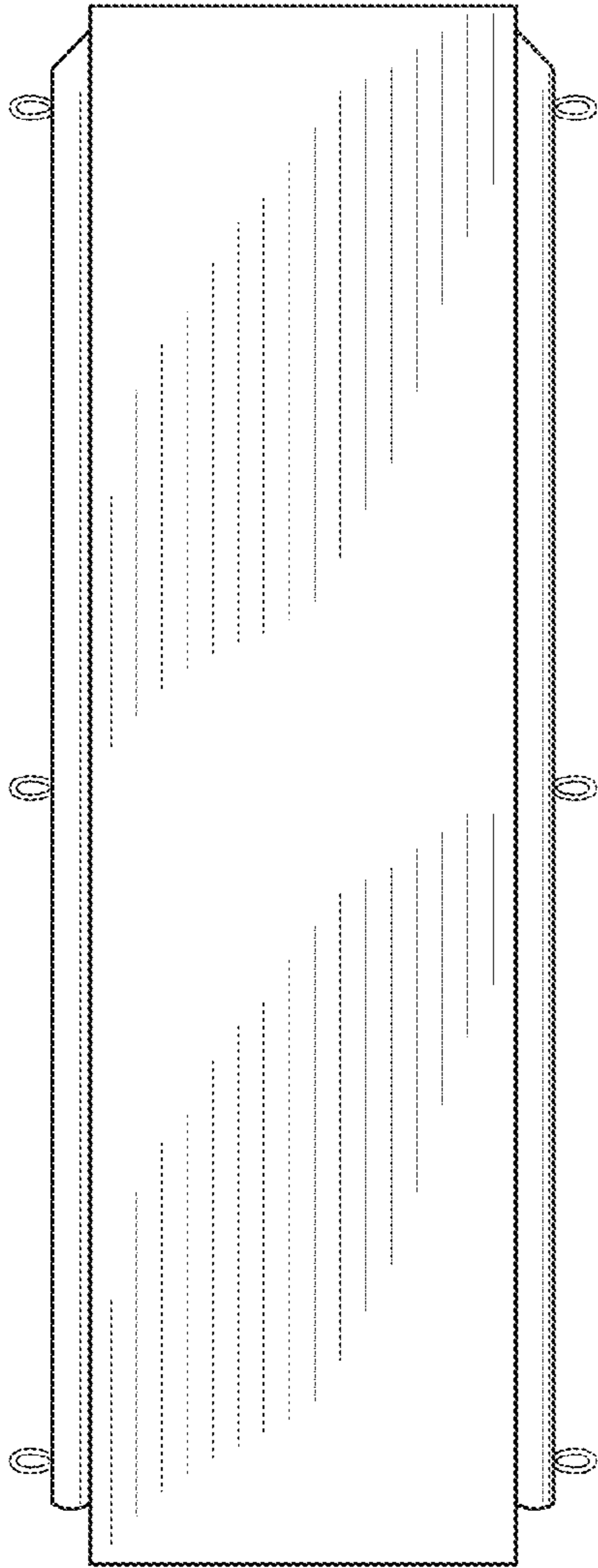


FIG. 2

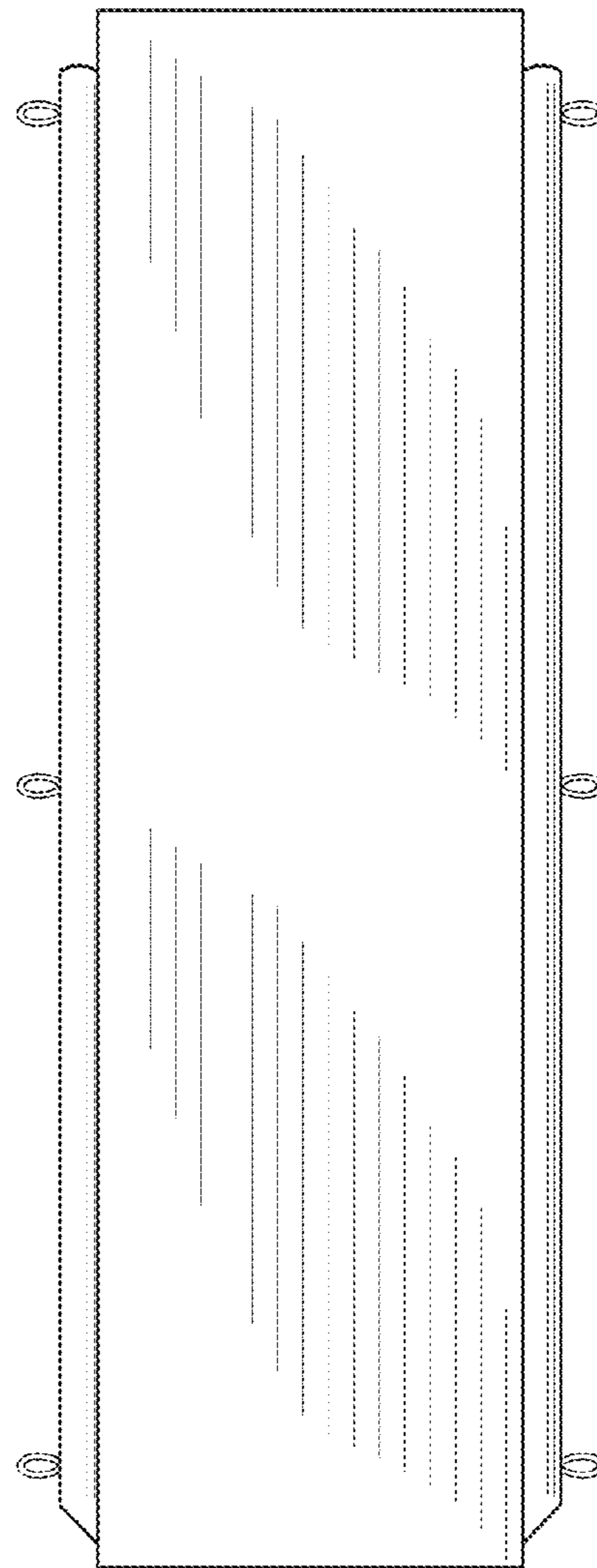


FIG. 3

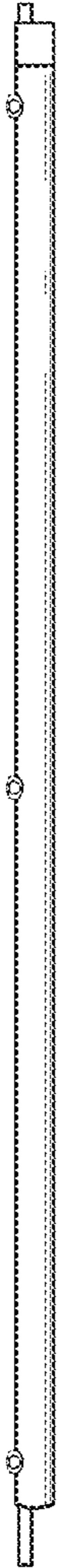


FIG. 4

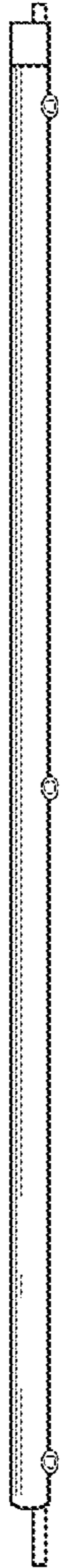


FIG. 5

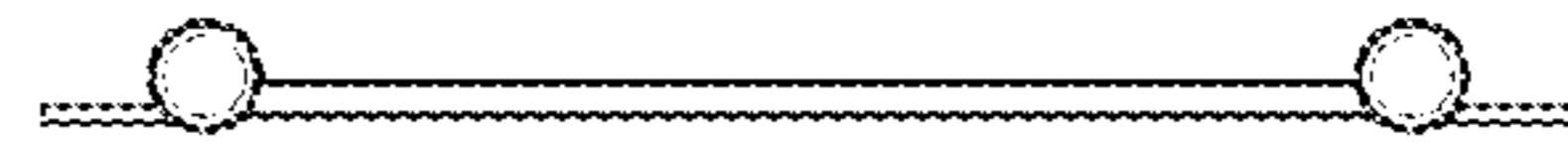


FIG. 6

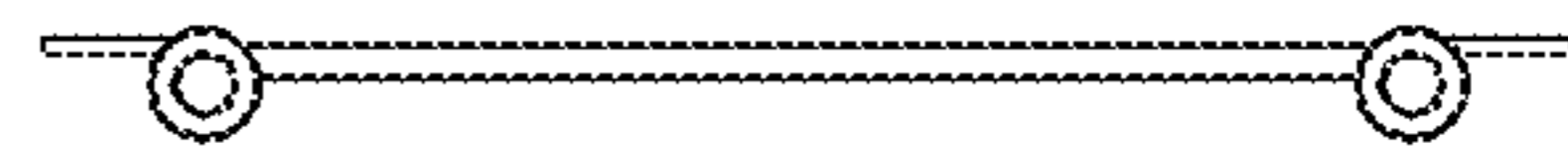


FIG. 7