



US00D749175S

(12) **United States Design Patent**
Vaughey

(10) **Patent No.:** **US D749,175 S**
(45) **Date of Patent:** **** Feb. 9, 2016**

(54) **SET FOR BUILDING TOY FIGURES**

(71) Applicant: **Dublin Institute of Technology**, Dublin (IE)

(72) Inventor: **Stephen Vaughey**, Co.Meath (IE)

(73) Assignee: **Dublin Institute of Technology**, Dublin (IE)

(**) Term: **14 Years**

(21) Appl. No.: **29/511,489**

(22) Filed: **Dec. 11, 2014**

(30) **Foreign Application Priority Data**

Jun. 12, 2014 (EM) 002481044

(51) **LOC (10) Cl.** **21-01**

(52) **U.S. Cl.**
USPC **D21/484**; D21/493; D21/594

(58) **Field of Classification Search**
USPC D21/333, 373, 386, 389, 404, 468, 470, D21/471, 475, 484-505
CPC A63H 33/00; A63H 33/04; A63H 33/06; A63H 33/062; A63H 33/08; A63H 33/082; A63H 33/084; A63H 33/086; A63H 33/088; A63H 33/108; A63H 33/12; A63H 3/16; A63H 3/46; A63F 9/12; A63F 9/1224
See application file for complete search history.

(56) **References Cited**

U.S. PATENT DOCUMENTS

1,272,685	A *	7/1918	Levis	446/100
2,662,335	A *	12/1953	Calverley	446/99
2,752,726	A *	7/1956	Calverley	446/99
D231,546	S *	4/1974	Christiansen	D21/658
5,383,738	A *	1/1995	Herbermann	403/56
D419,616	S *	1/2000	Toft	D21/502
6,033,284	A *	3/2000	Rodriguez Ferre	446/383
6,672,931	B1 *	1/2004	Bagley	446/106
6,692,332	B2 *	2/2004	Jheow	446/383
D551,304	S *	9/2007	Manvelian	D21/484
7,326,100	B2 *	2/2008	O'Brien	446/97

7,371,147	B2 *	5/2008	Tusacciu	446/85
7,374,468	B2 *	5/2008	Flodin et al.	446/85
D622,329	S *	8/2010	Davies	D21/498
D680,589	S *	4/2013	Hardy et al.	D20/31
D696,361	S *	12/2013	Rottje	D21/486
D706,352	S *	6/2014	Hardy et al.	D20/31
2005/0118926	A1 *	6/2005	Roger	446/137
2006/0264147	A1 *	11/2006	Shoptaugh	446/120
2008/0261484	A1 *	10/2008	Culpepper	446/373

* cited by examiner

Primary Examiner — Cynthia M Chin

(74) *Attorney, Agent, or Firm* — Patti & Malvone Law Group, LLC

(57) **CLAIM**

The ornamental design for a set for building toy figures, as shown and described.

DESCRIPTION

FIG. 1 is a front view of a set of parts for building a toy figure; in which Figure instances of first, second, third, fourth, fifth, and sixth part types are shown in unassembled form, of which the first through fifth part types are shown enlarged and in additional views in the Figures below;

FIG. 2 is an enlarged perspective view of a first part type of the set of FIG. 1;

FIG. 3 is an enlarged front elevation view of the first part type of FIGS. 1 and 2, the rear view thereof being a mirror image; FIG. 4 is an enlarged top view of the first part type of FIGS. 1-3, the views from angles rotated 120 degrees and 240 degrees (about a vertical axis parallel to the plane of the page and its long edge) being identical;

FIG. 5 is an enlarged perspective view of a second part type of the set of FIG. 1;

FIG. 6 is an enlarged a front elevation view of the second part type of FIGS. 1 and 5, the rear view thereof being a mirror image;

FIG. 7 is an enlarged top view of the second part type of FIGS. 1 and 5-6, the right-hand-side, left-hand-side, and bottom views thereof being identical;

FIG. 8 is an enlarged perspective view of a third part type of the set of FIG. 1;

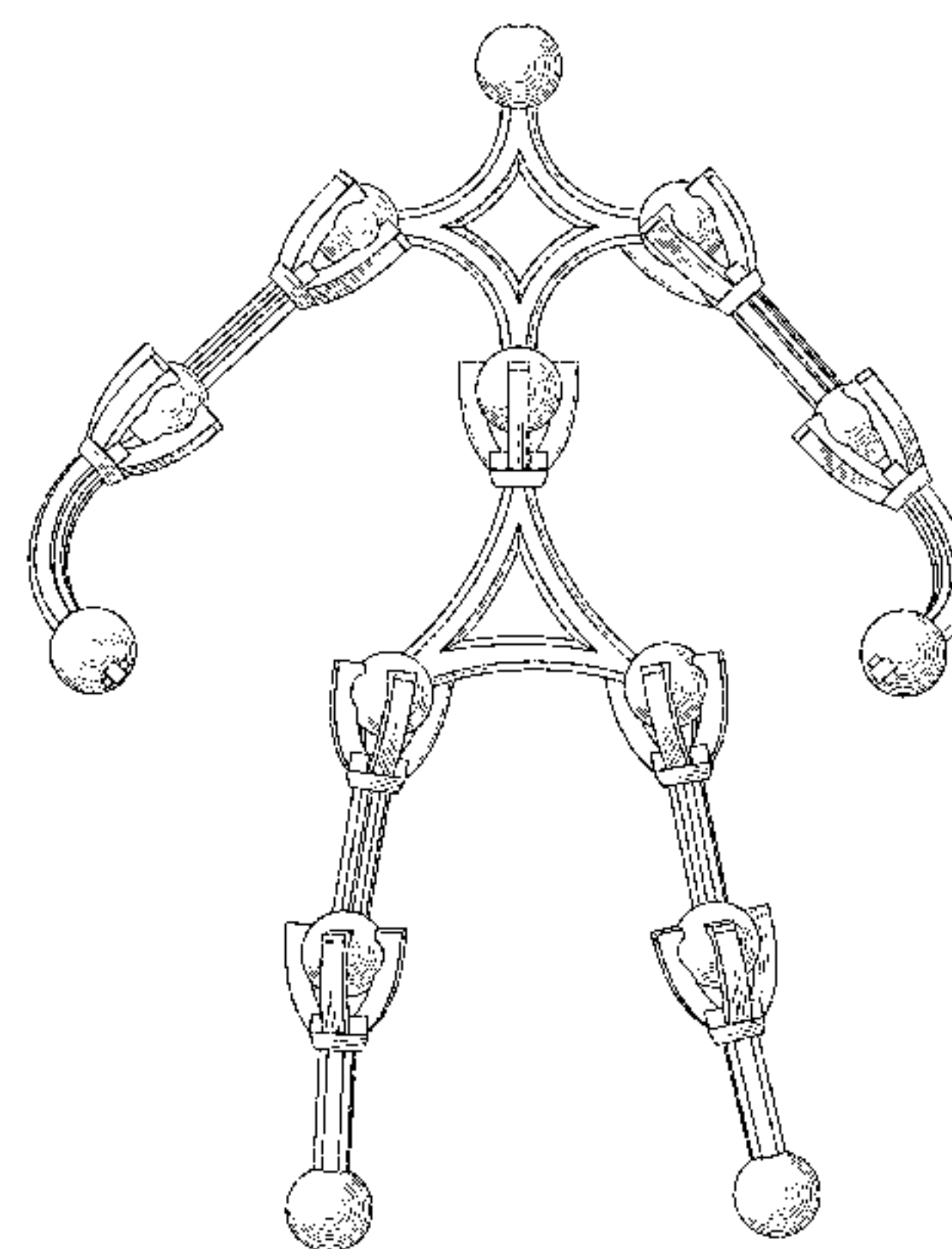
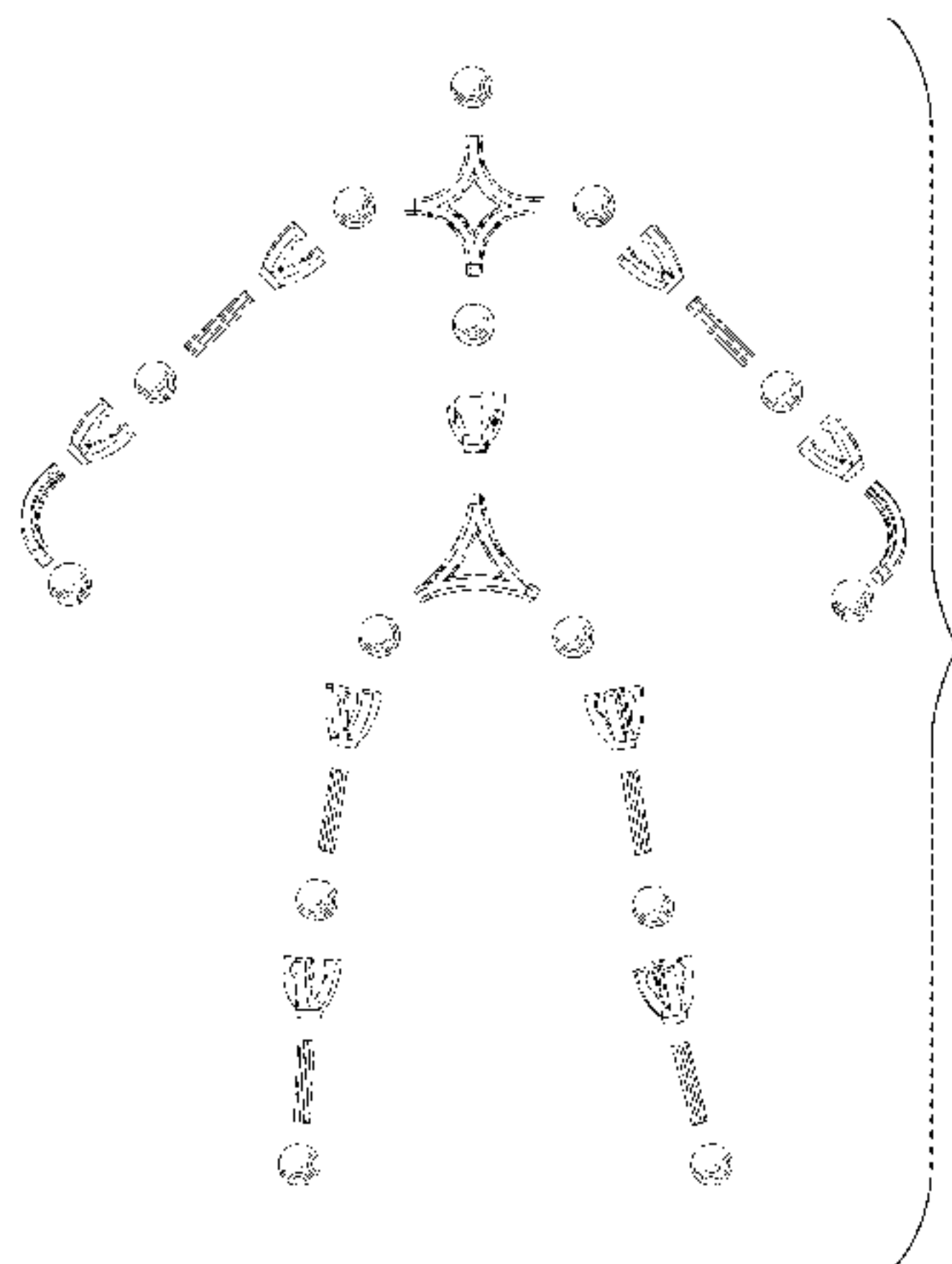


FIG. 9 is an enlarged front elevation view of the third part type of FIGS. 1 and 8, the rear view thereof being a mirror image; FIG. 10 is an enlarged top view of the third part type of FIGS. 1 and 8-9;

FIG. 11 is an enlarged perspective view of a fourth part type of the set of FIG. 1;

FIG. 12 is an enlarged top view of the fourth part type of FIGS. 1 and 11, the bottom view thereof being a mirror image;

FIG. 13 is an enlarged front elevation view of the fourth part type of FIGS. 1 and 11-12, the right-hand-side, left-hand-side, and rear views thereof being identical;

FIG. 14 is an enlarged perspective view of a fifth part type of the set of FIG. 1;

FIG. 15 is an enlarged front elevation view of the fifth part type of FIGS. 1 and 14, the right-hand-side, left-hand-side, and rear views thereof being identical;

FIG. 16 is an enlarged top view of the fifth part type of FIGS. 1 and 14-15;

FIG. 17 is an enlarged bottom view of the fifth part type of FIGS. 1 and 14-16;

FIG. 18 is a front elevation view of an exemplary toy figure assembled from of a set including the parts shown in the earlier Figures;

FIG. 19 is a rear elevation view of the exemplary toy figure of FIG. 18;

FIG. 20 is a top plan view of the exemplary toy figure of FIGS. 18-19;

FIG. 21 is a bottom plan view of the exemplary toy figure of FIGS. 18-20;

FIG. 22 is a side elevation view looking toward the right-hand side of the exemplary toy figure of FIGS. 18-21; and,

FIG. 23 is a side elevation view looking toward the left-hand side of the exemplary toy figure of FIGS. 18-22.

The parts shown in FIGS. 2-17 are shown separately for clarity of illustration.

1 Claim, 10 Drawing Sheets

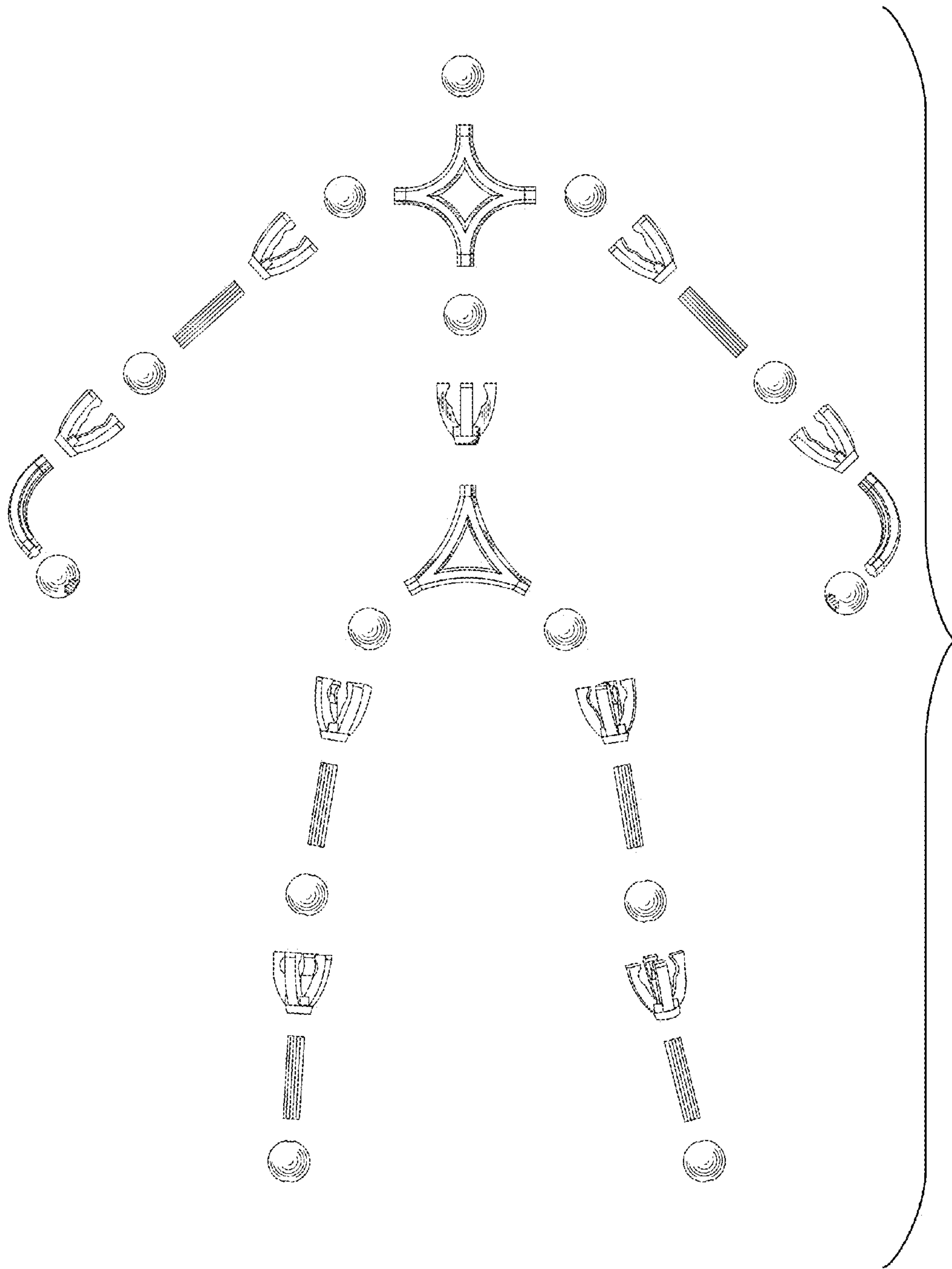


FIG. 1

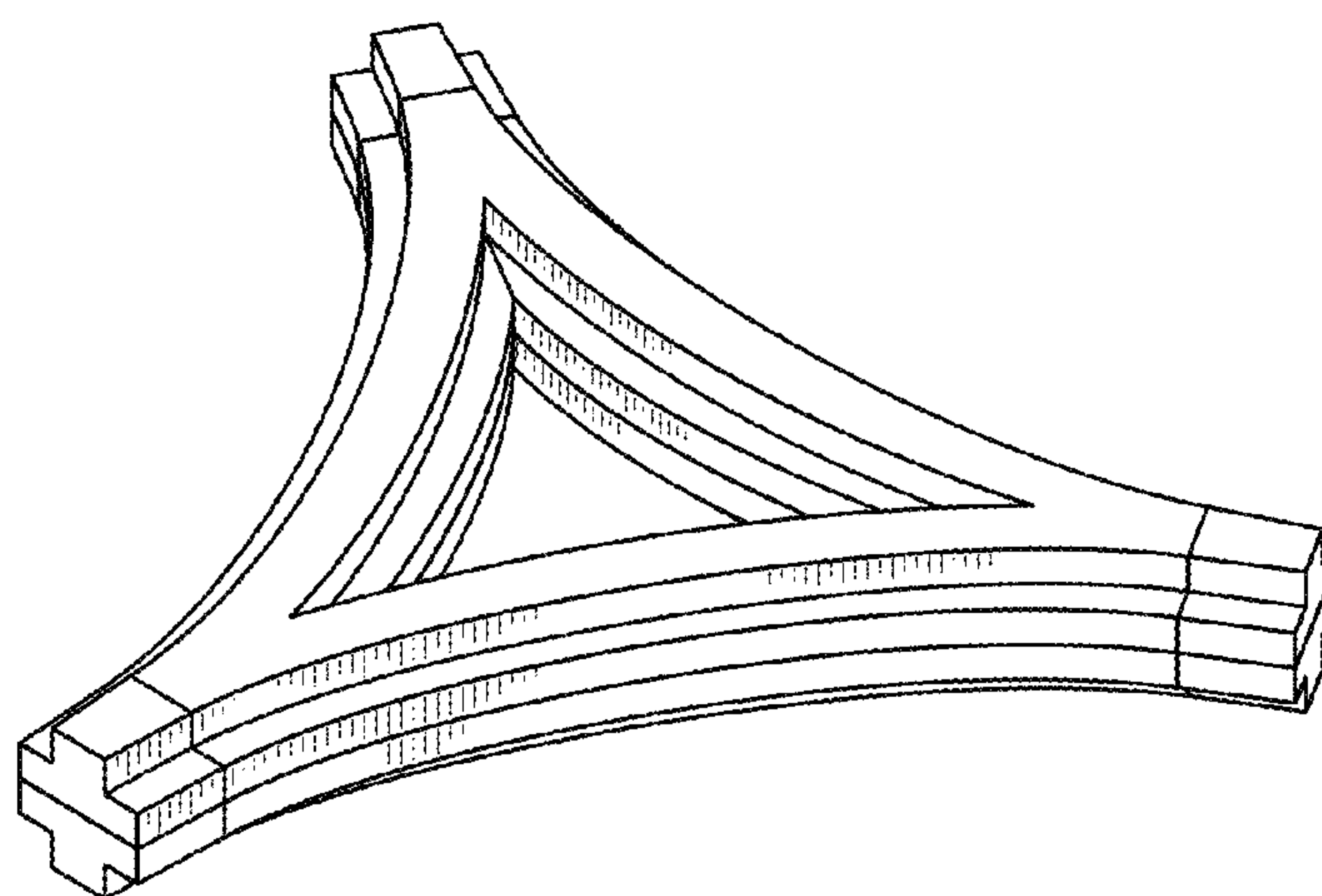


FIG. 2

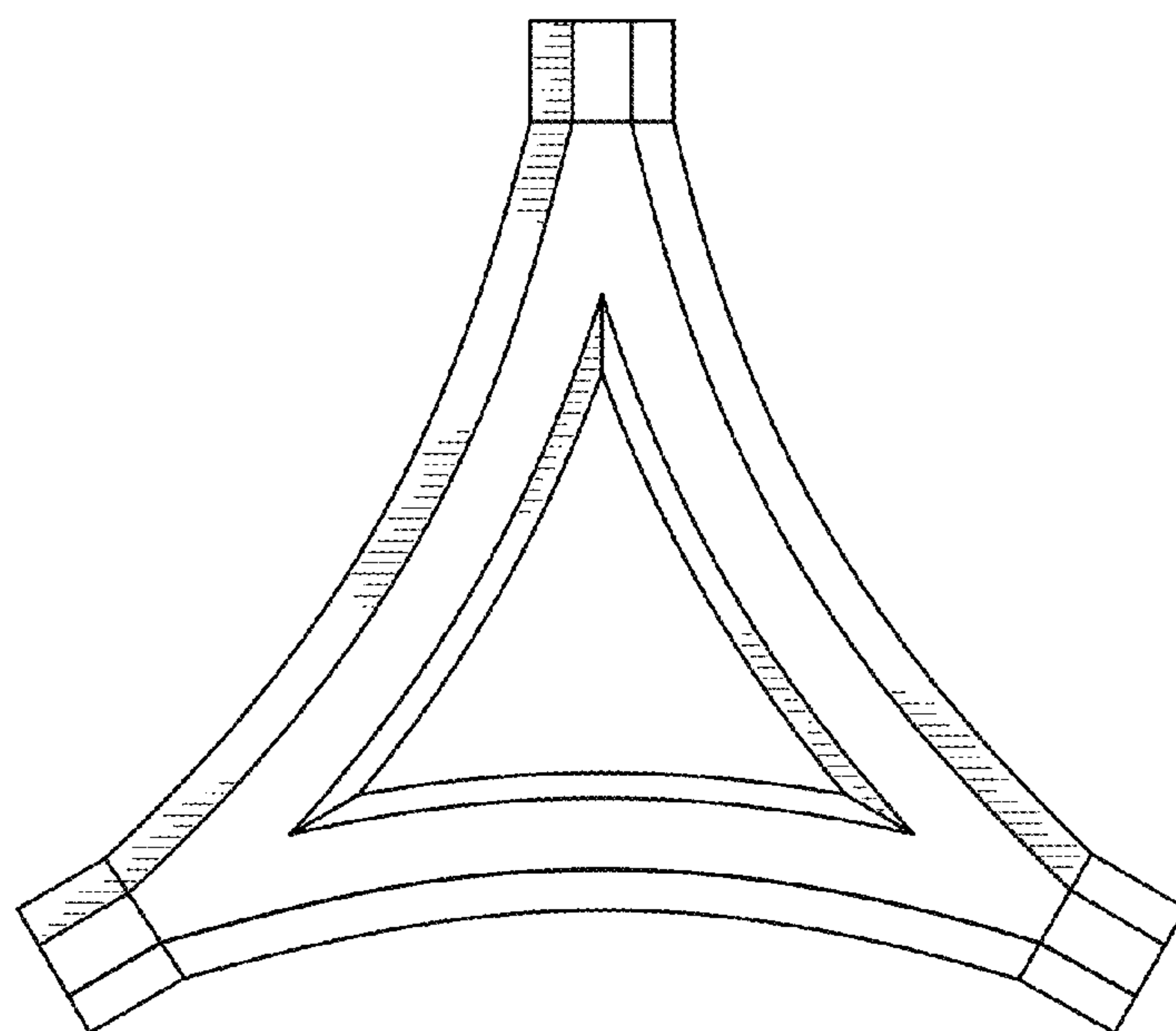


FIG. 3

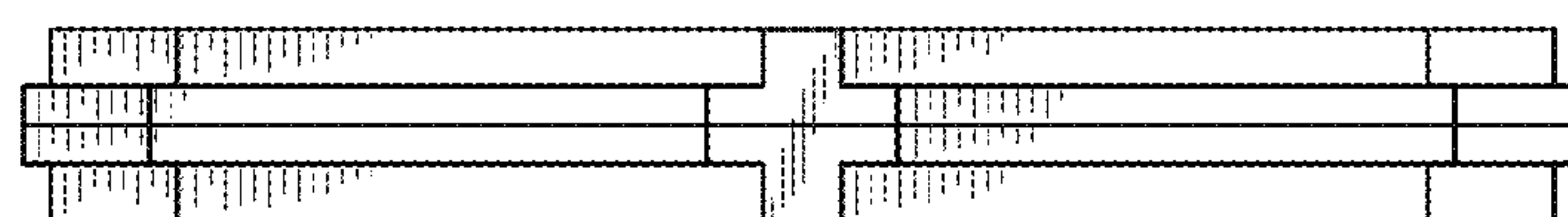


FIG. 4

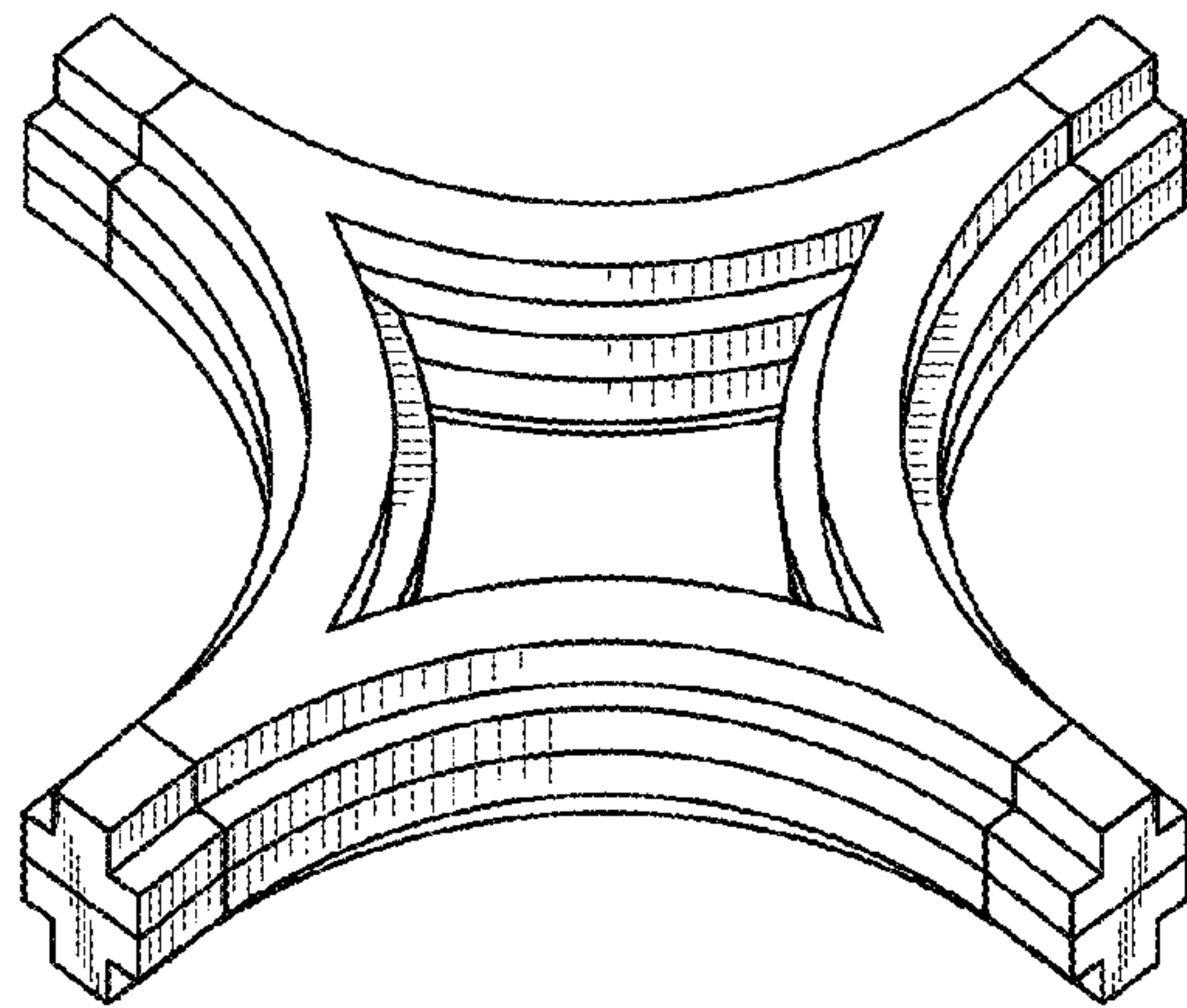


FIG. 5

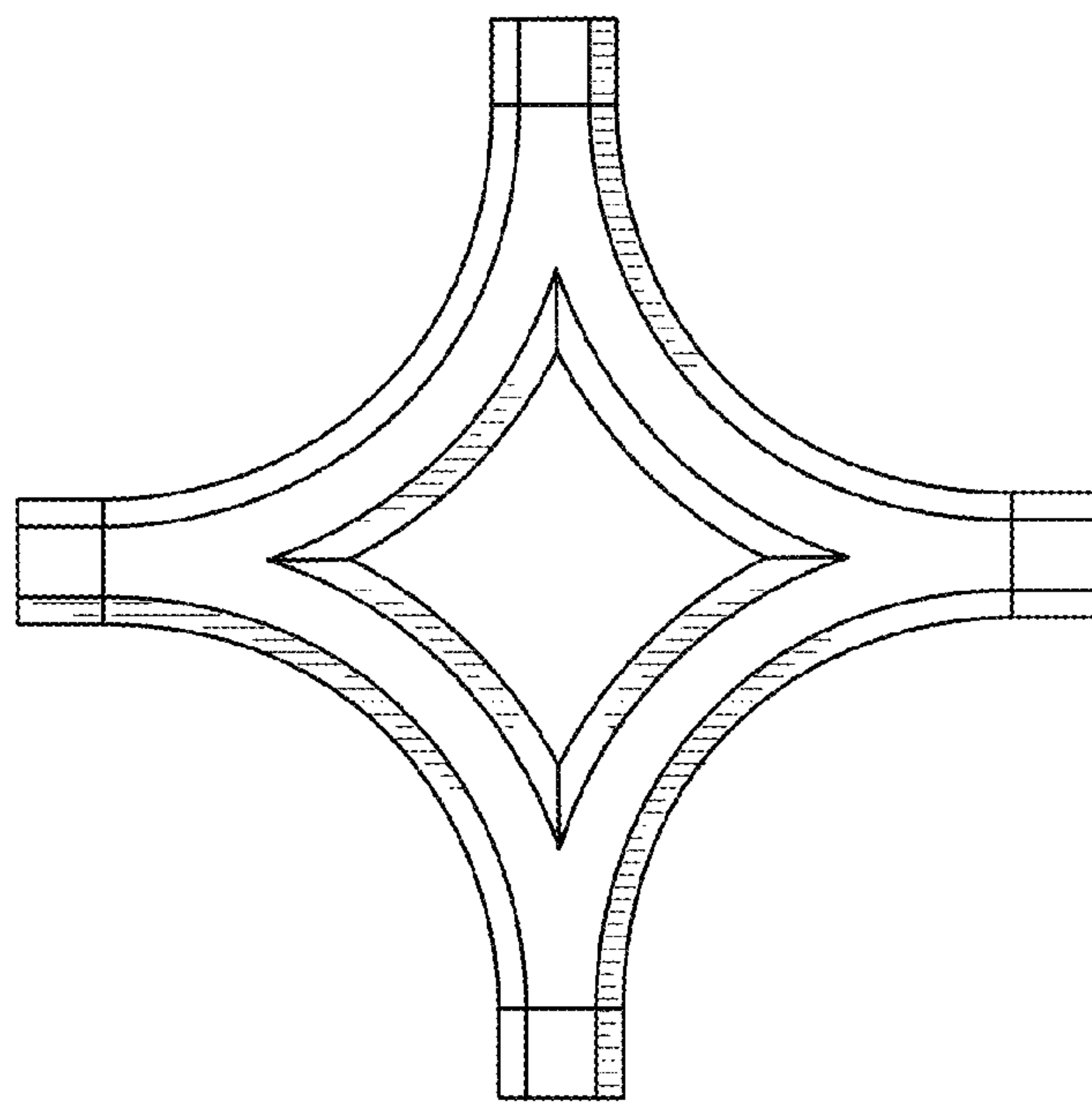


FIG. 6



FIG. 7

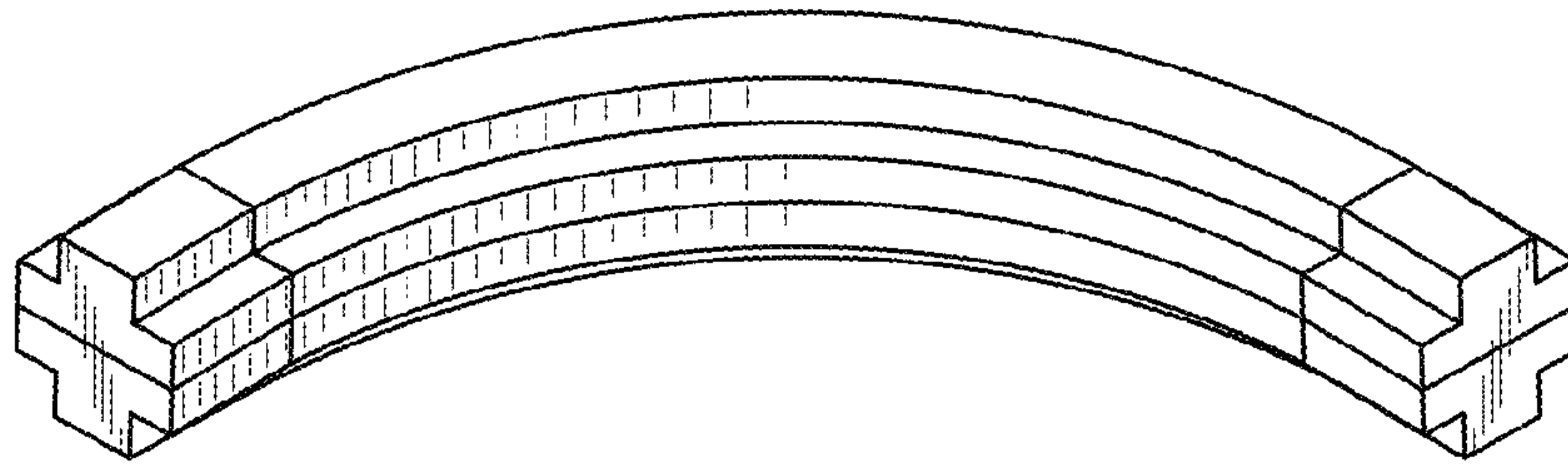


FIG. 8

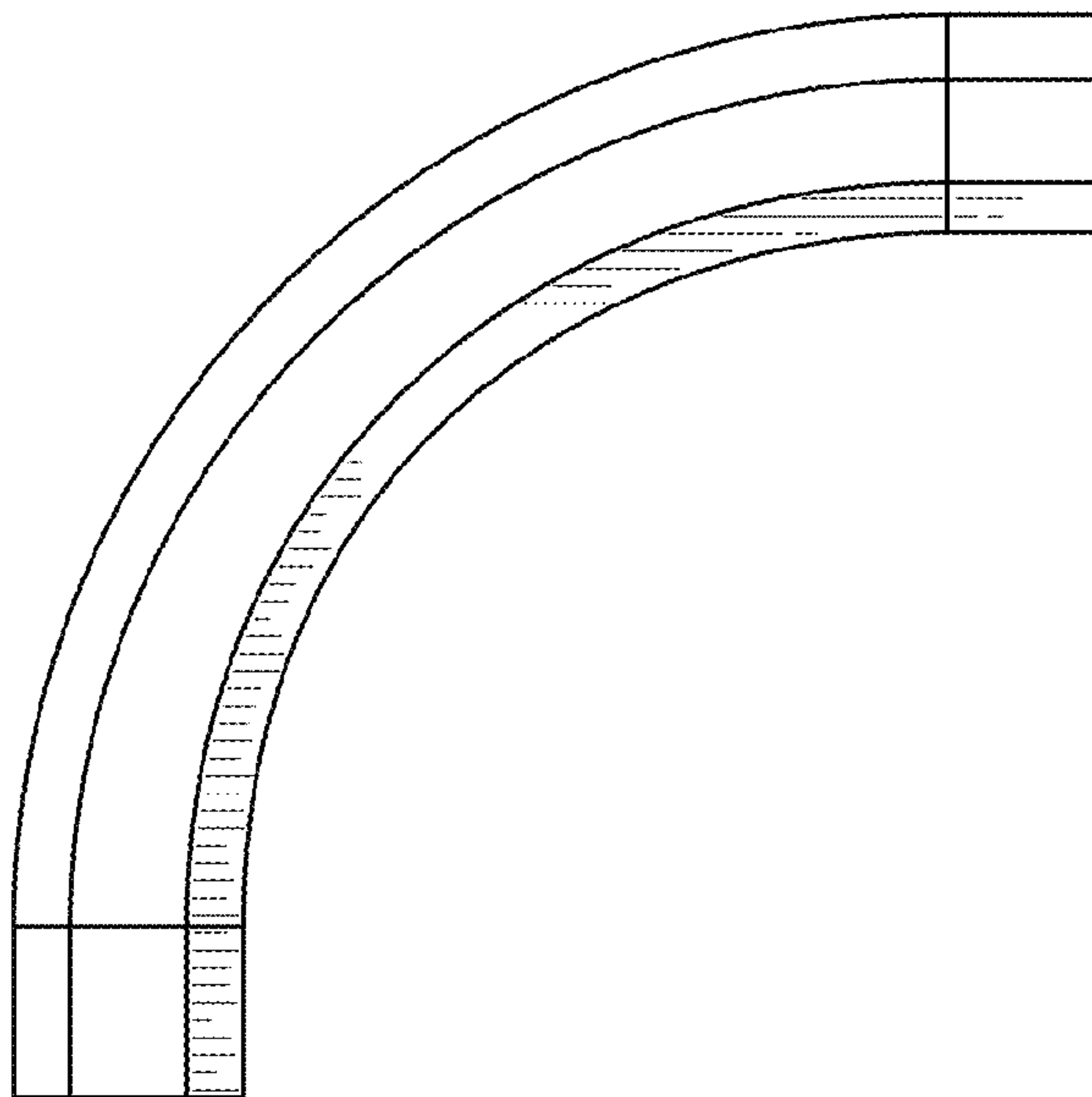


FIG. 9

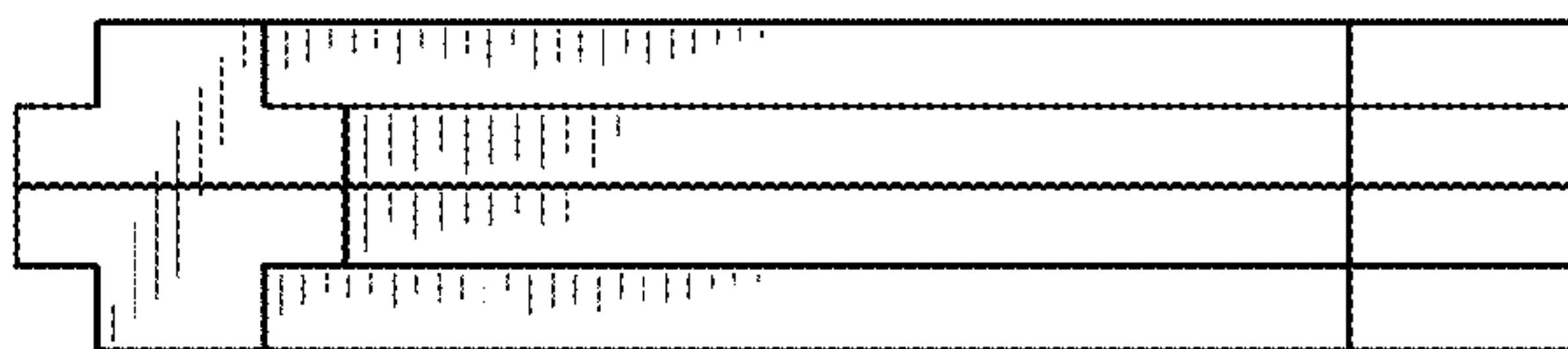


FIG. 10

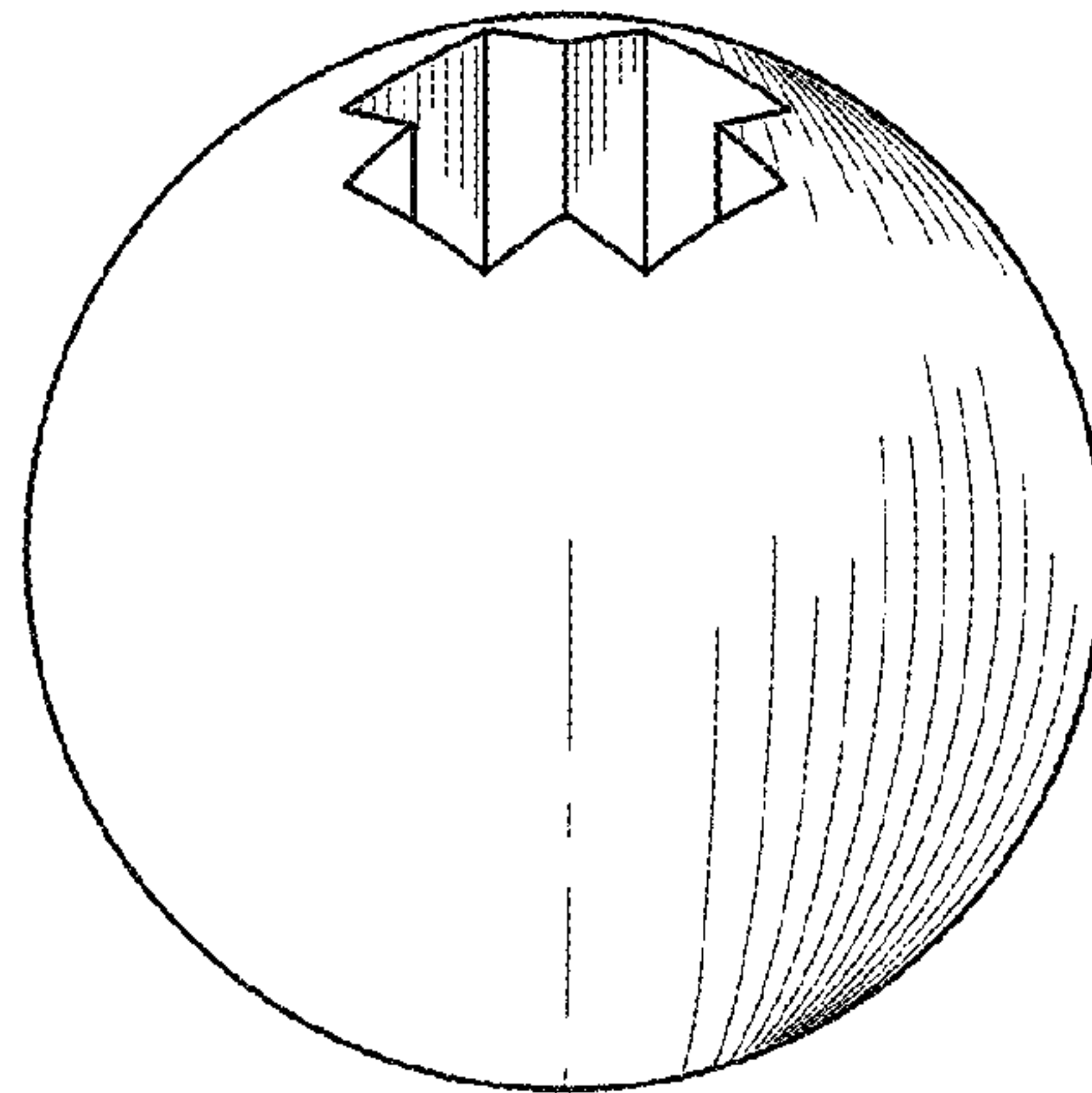


FIG. 11

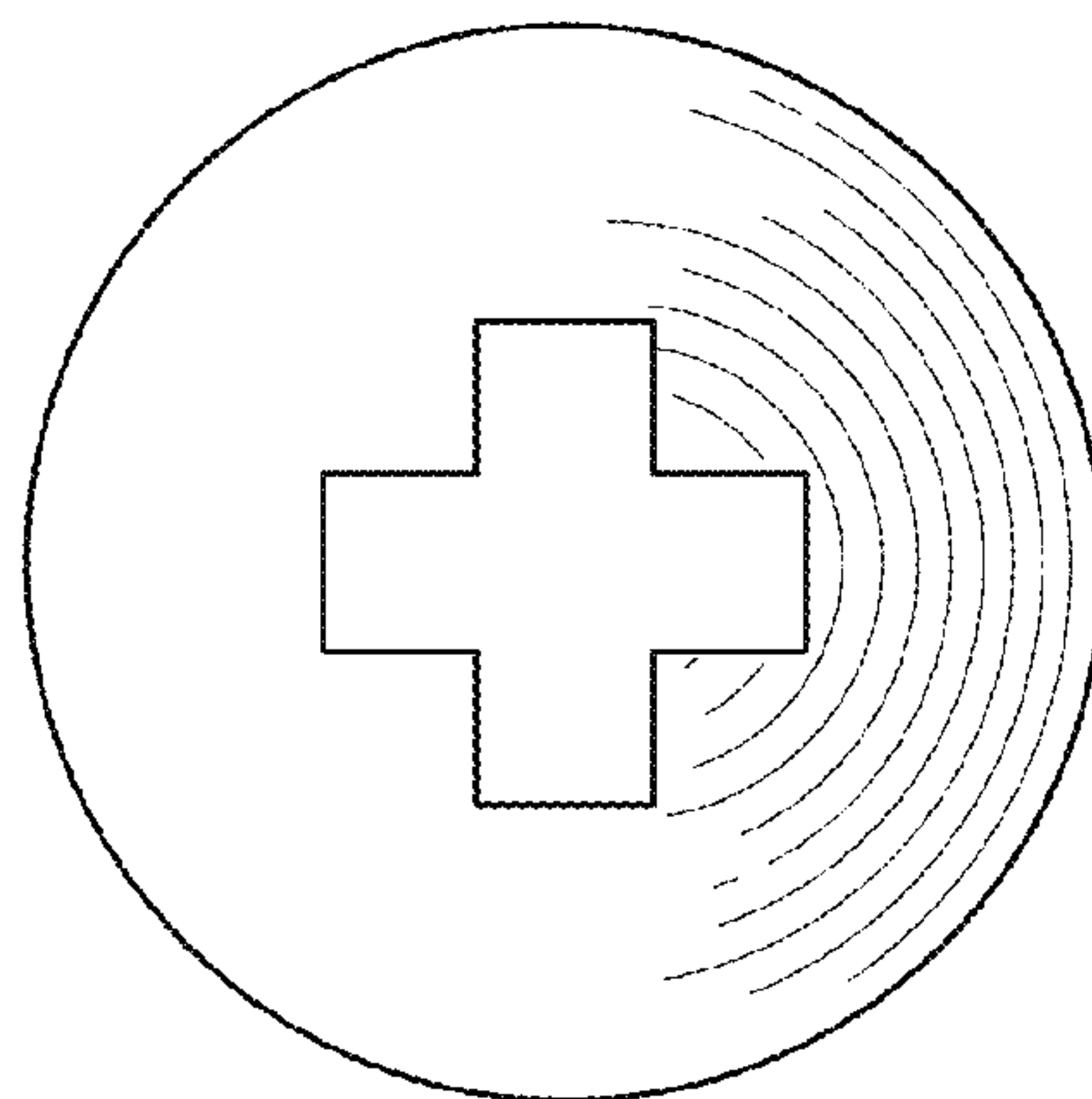


FIG. 12

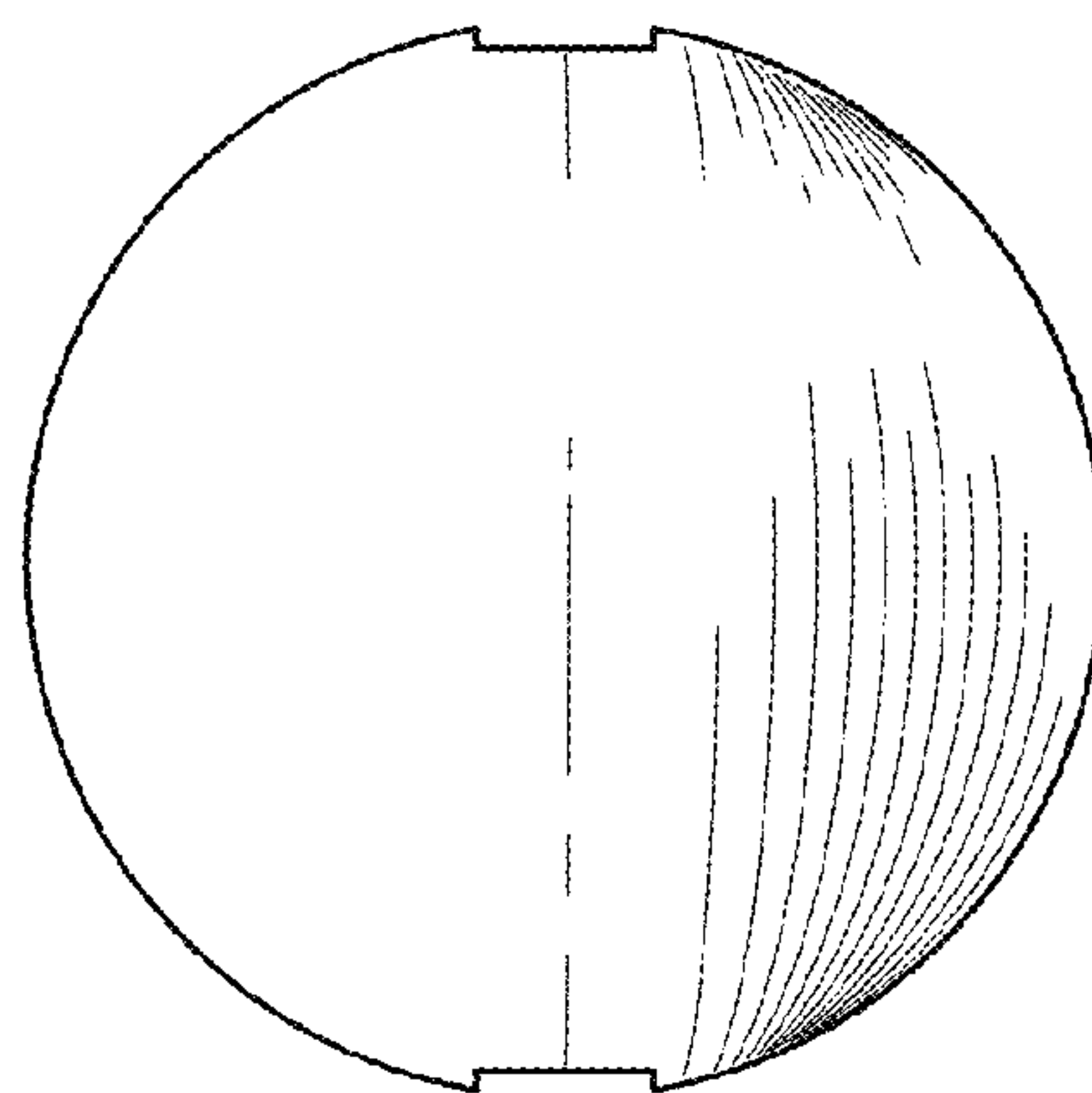


FIG. 13

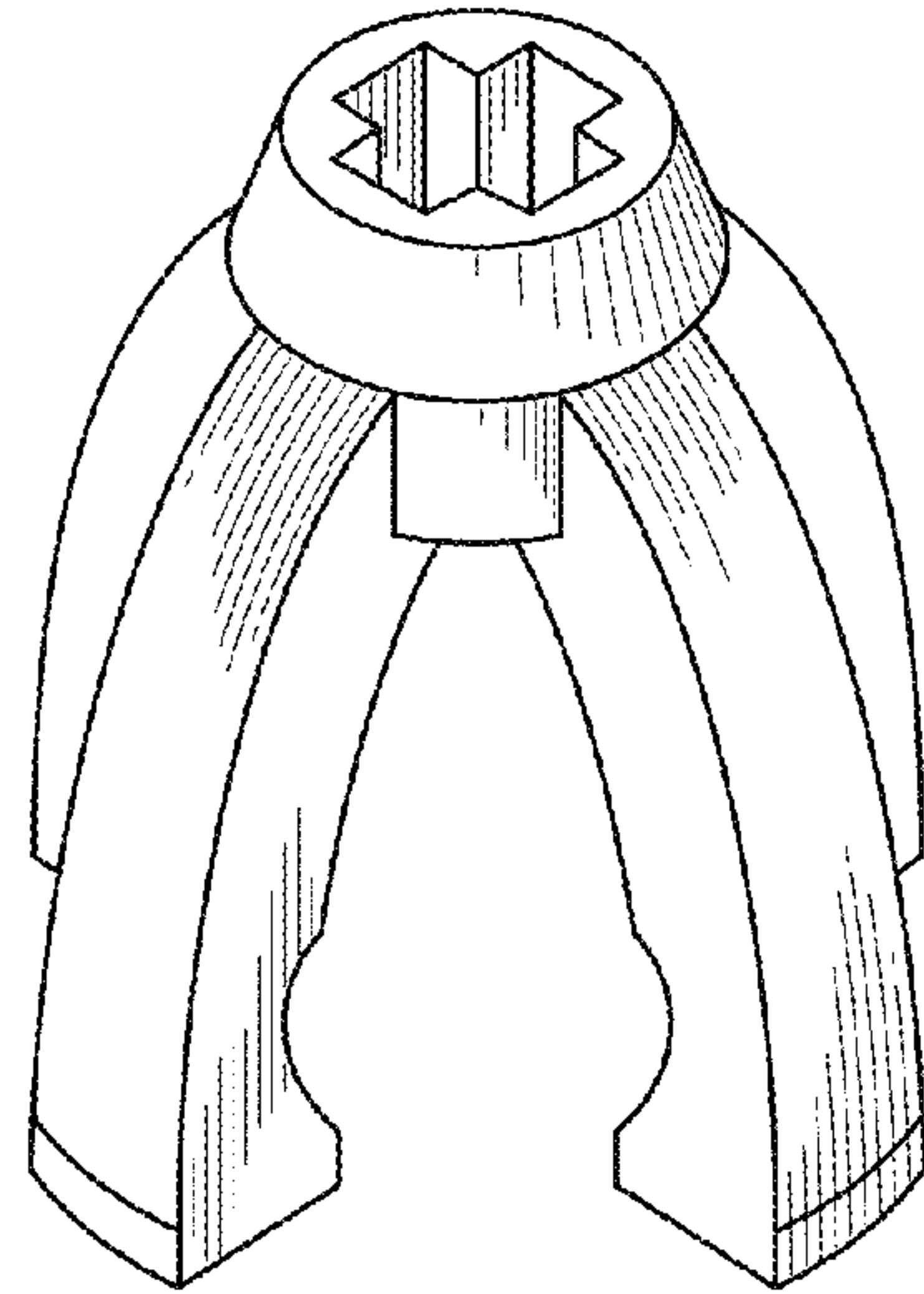


FIG. 14

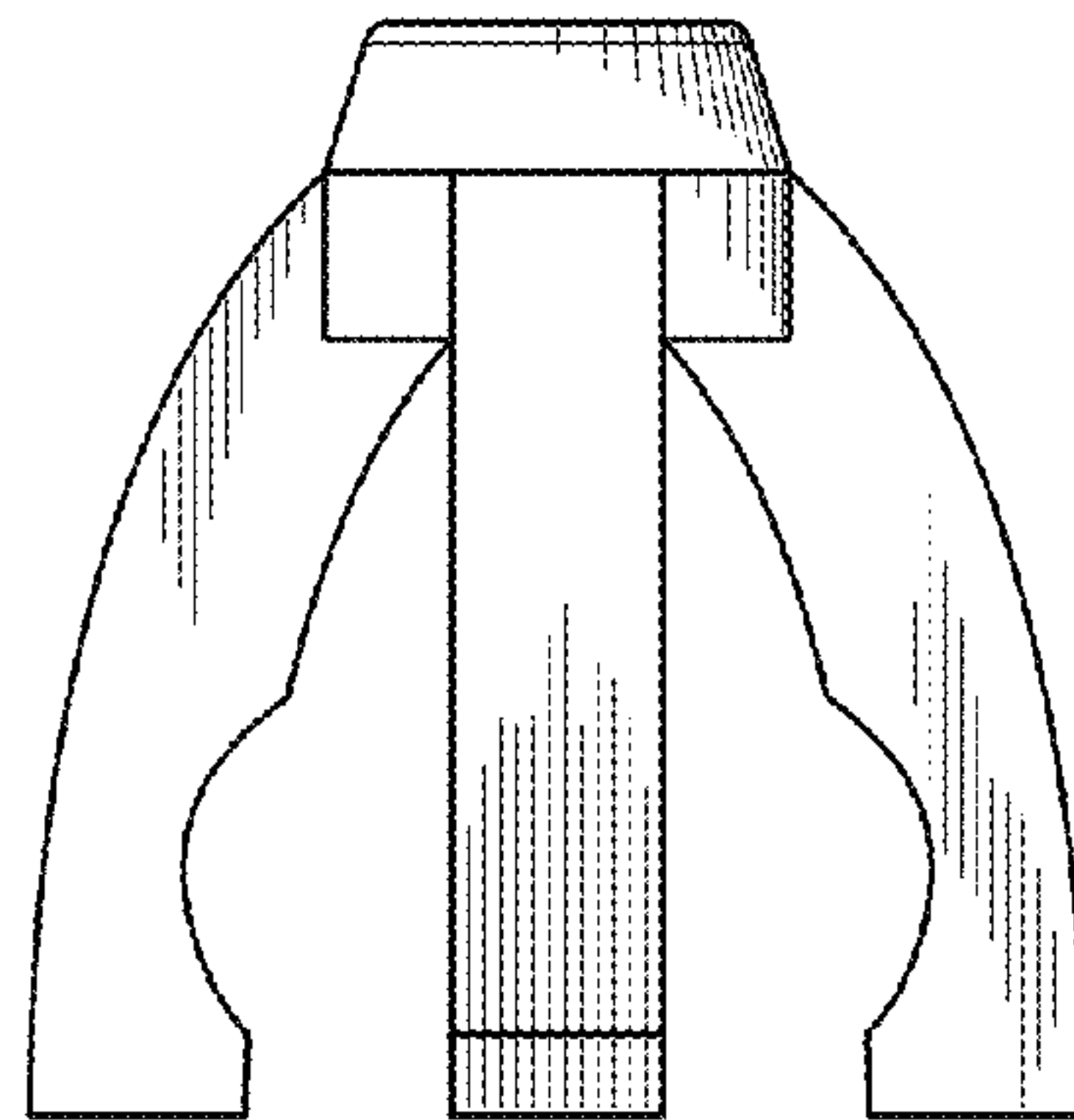


FIG. 15

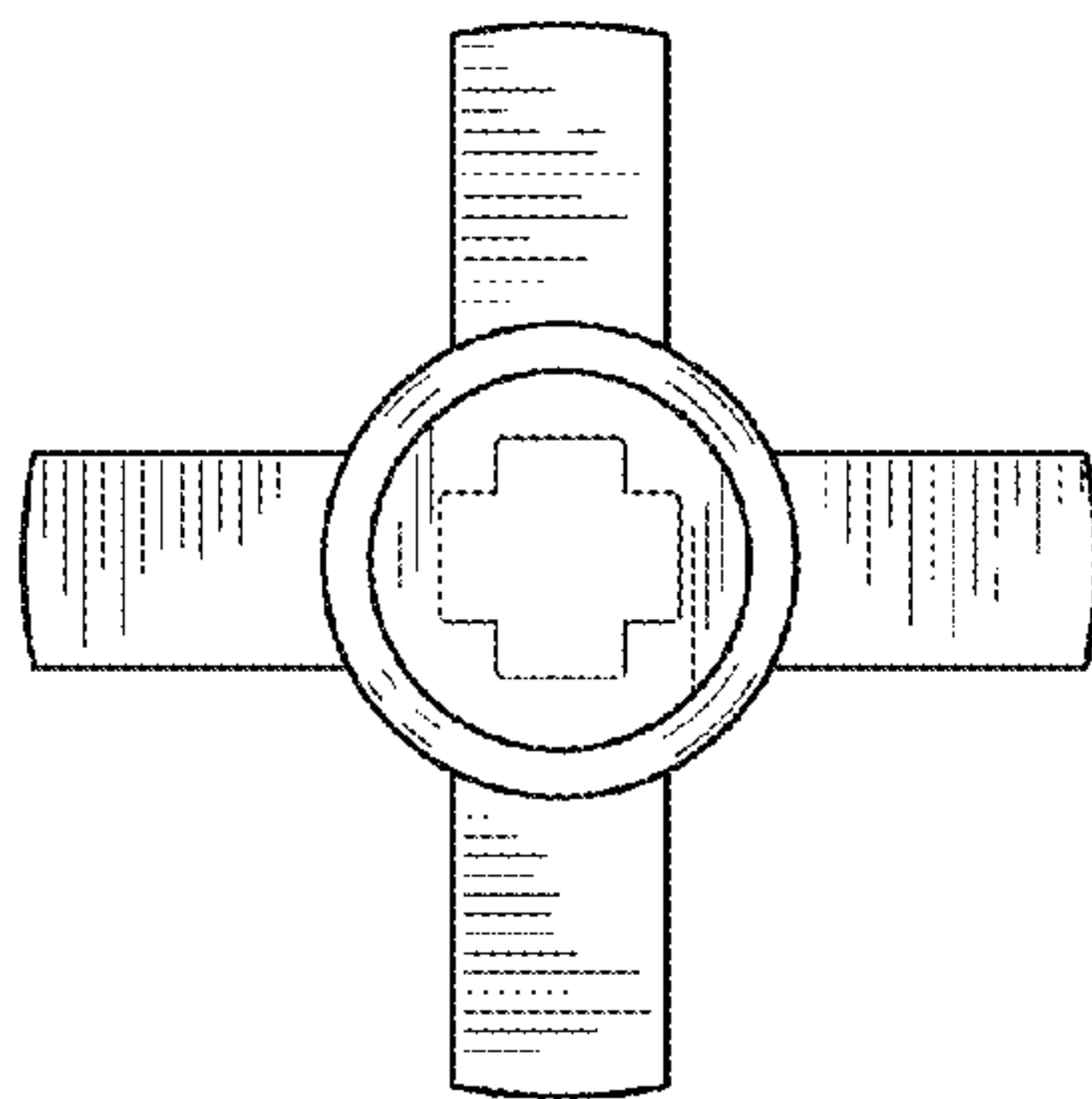


FIG. 16

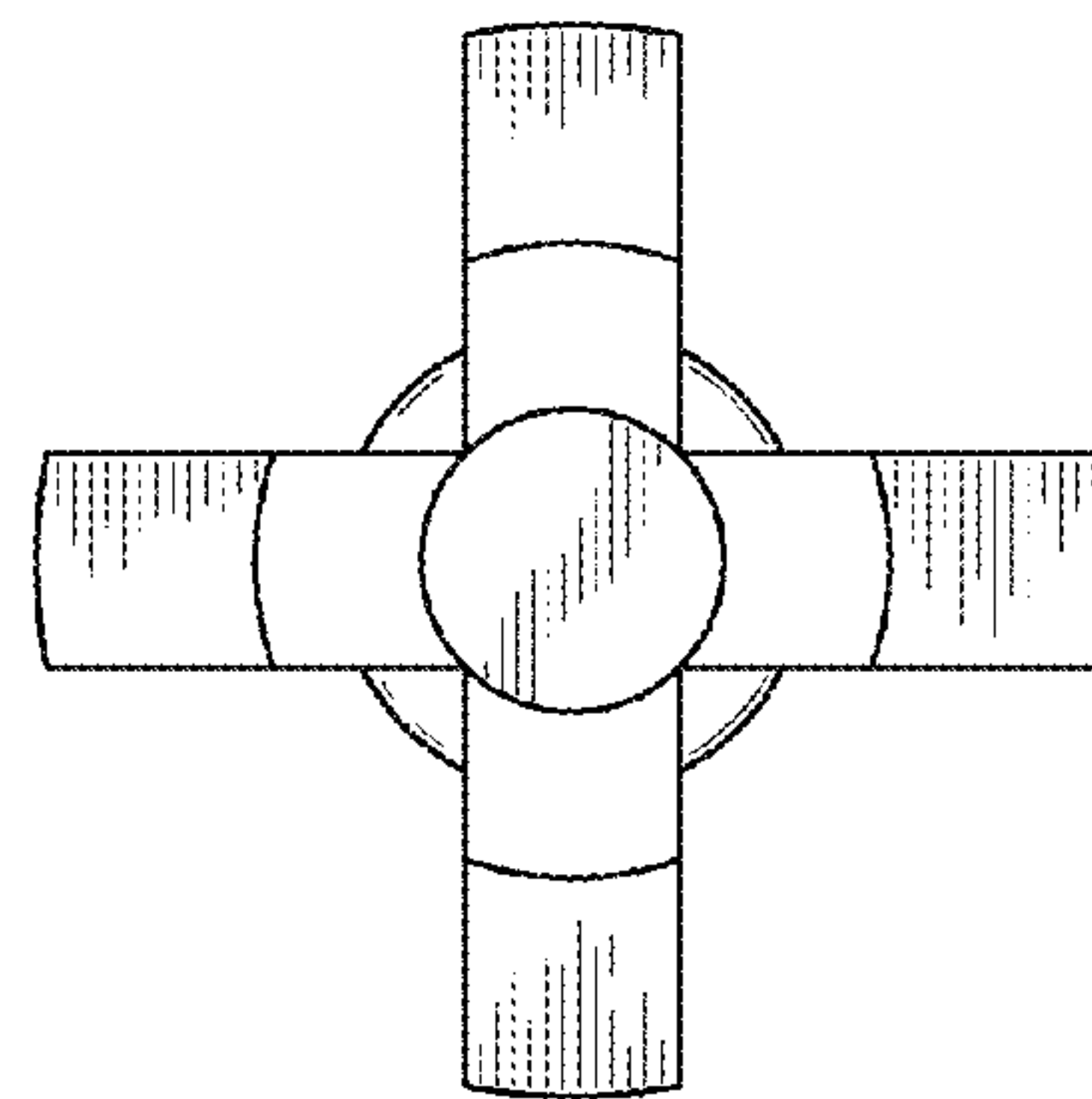


FIG. 17

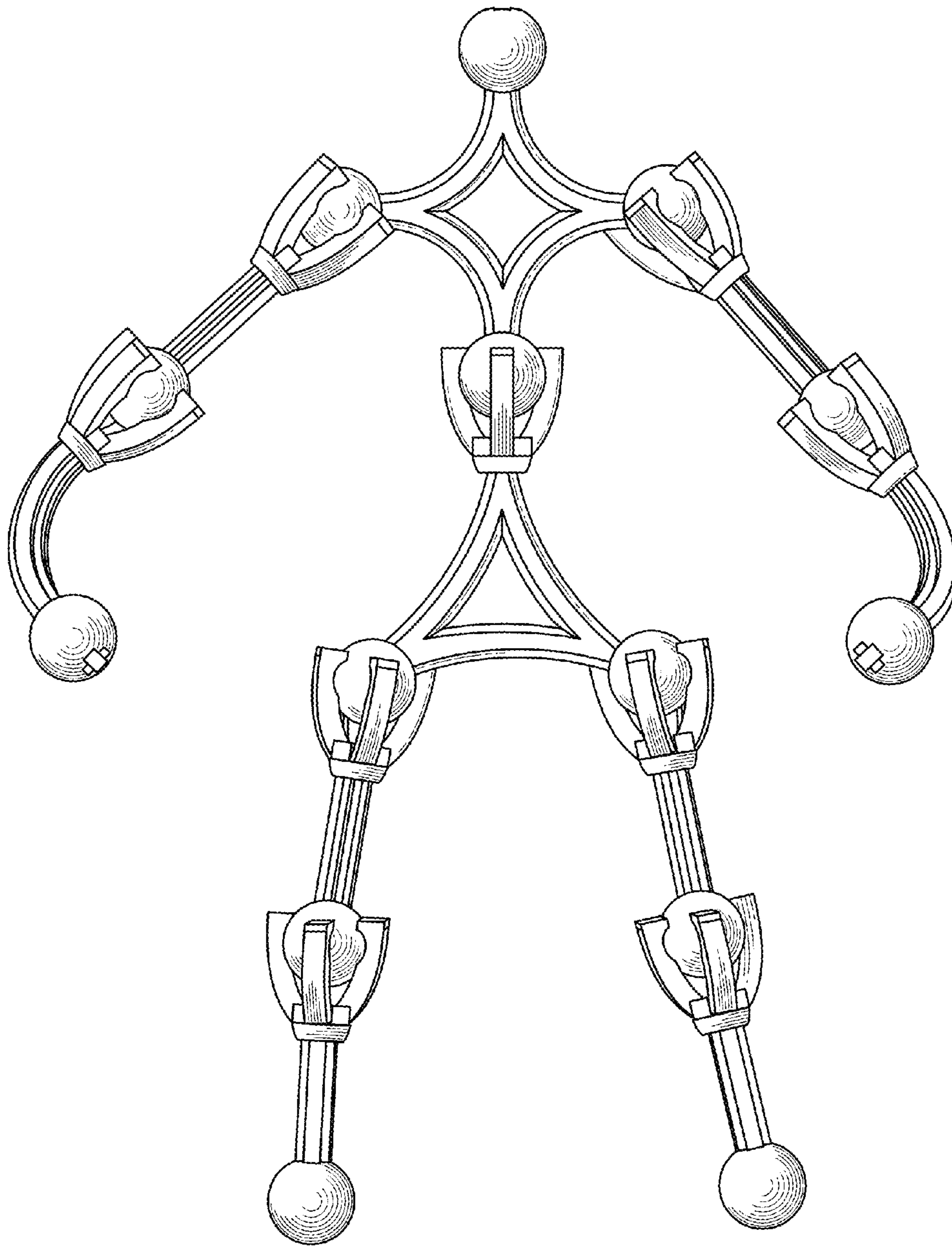


FIG. 18

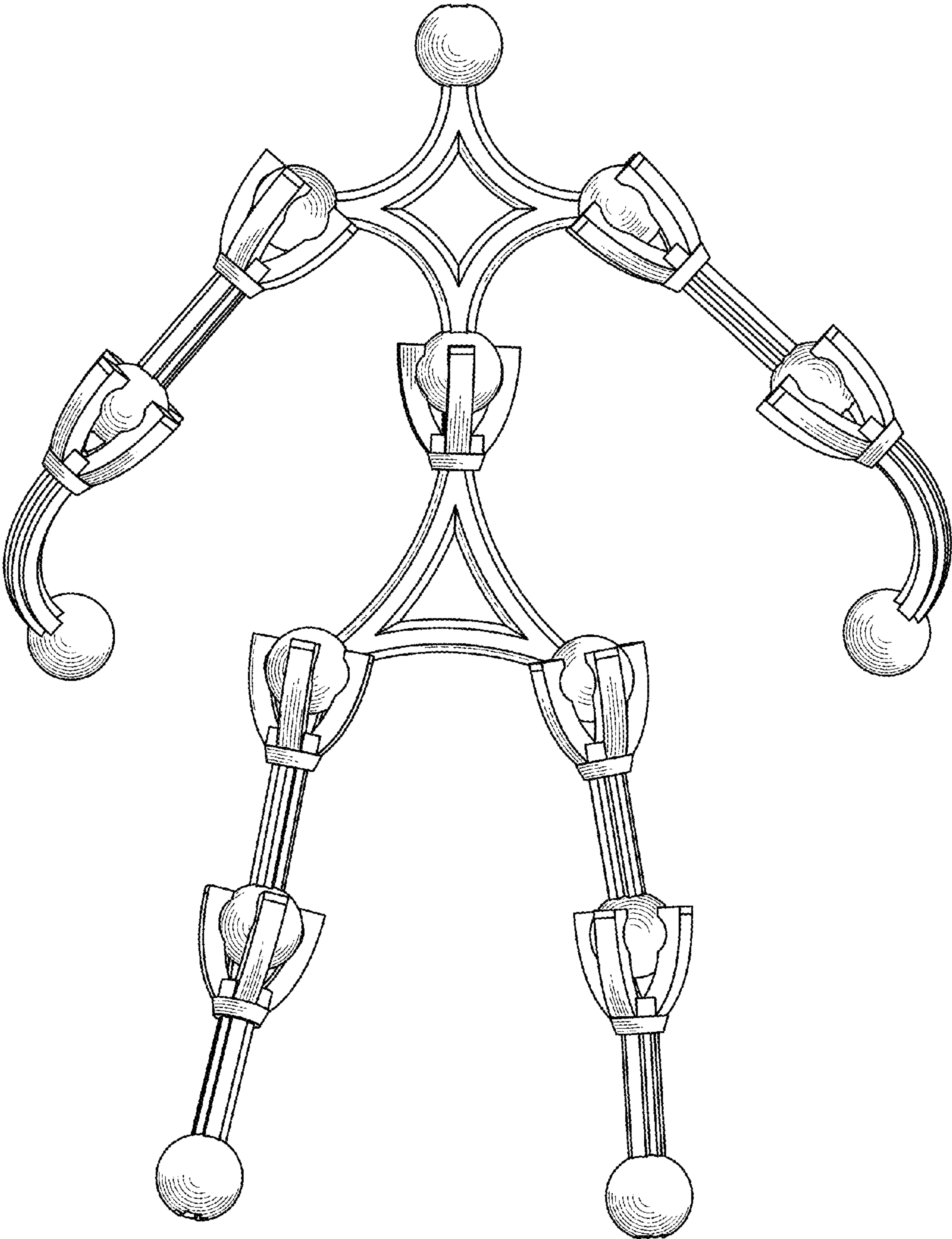


FIG. 19

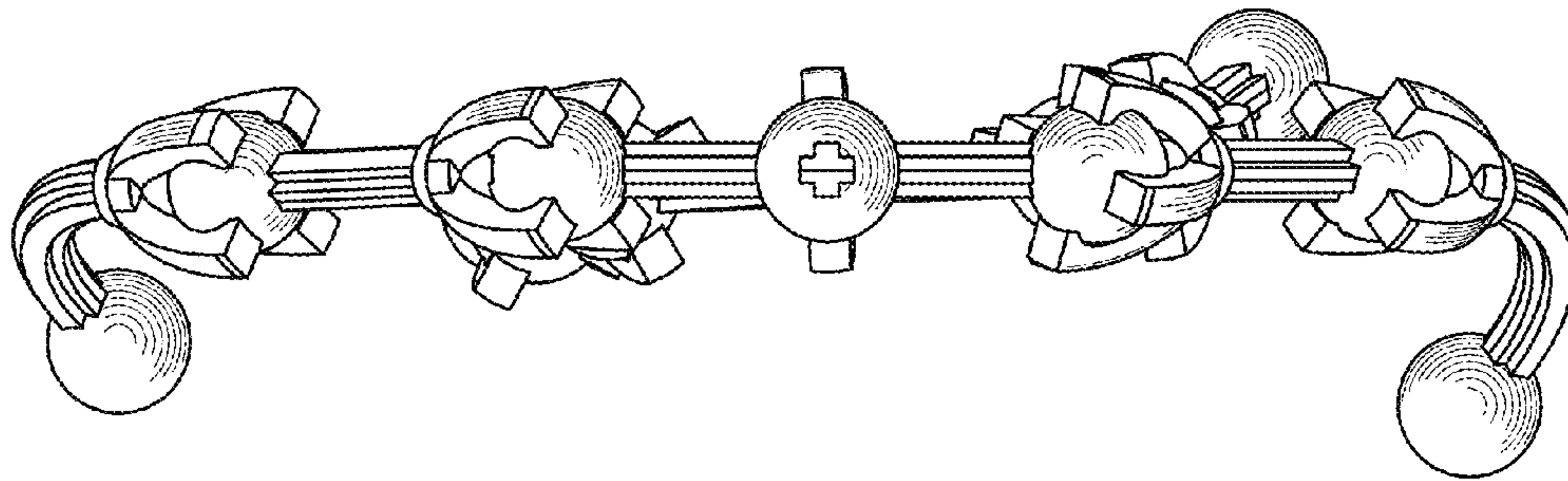


FIG. 20

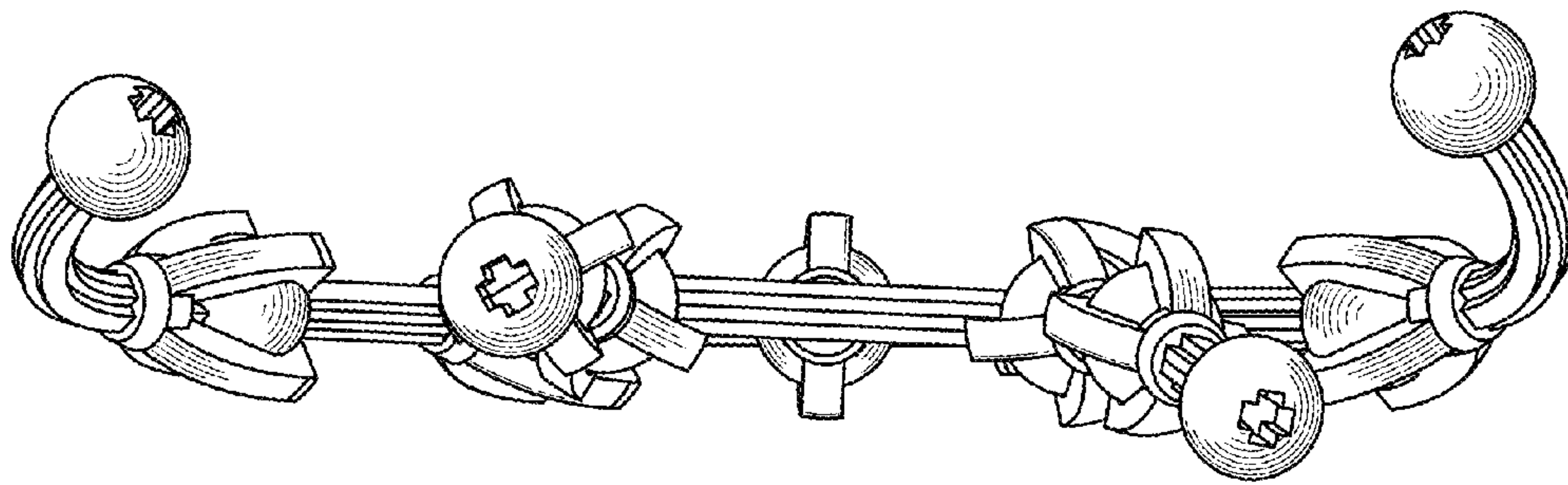


FIG. 21

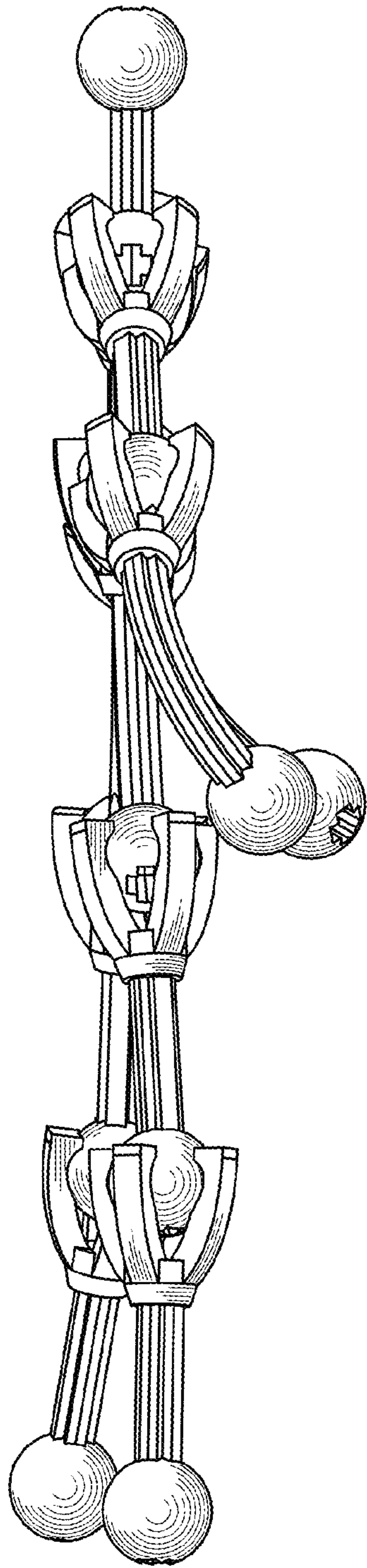


FIG. 22

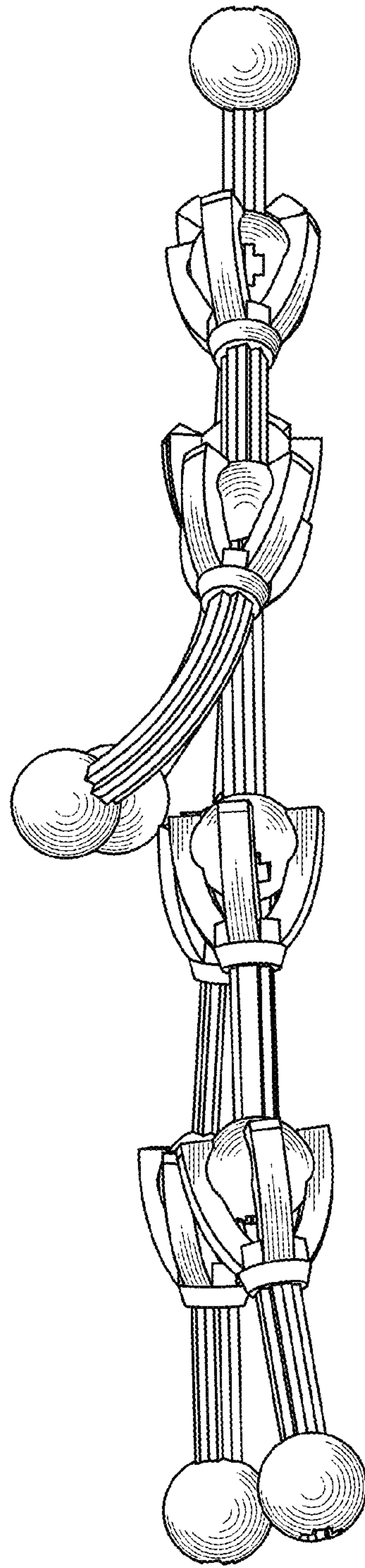


FIG. 23