



US00D749174S

(12) **United States Design Patent**  
**O Connell**

(10) **Patent No.:** **US D749,174 S**  
(45) **Date of Patent:** **\*\* Feb. 9, 2016**

- (54) **SCOOTER**
- (71) Applicant: **YVOLVE SPORTS LTD.**, Dublin (IE)
- (72) Inventor: **Thomas O Connell**, Castleblayney (IE)
- (\*\*) Term: **14 Years**
- (21) Appl. No.: **29/508,233**
- (22) Filed: **Nov. 4, 2014**
- (51) **LOC (10) Cl.** ..... **21-01**
- (52) **U.S. Cl.**  
USPC ..... **D21/423**
- (58) **Field of Classification Search**  
USPC ..... D21/419, 421, 423, 426-428, 435,  
D21/668-671, 760, 765, 771; D12/1, 8,  
D12/108, 111, 112, 113  
CPC ..... B62K 3/002; B62K 9/00; B62K 9/02;  
B62K 13/00; B62K 13/04; B62K 2202/00  
See application file for complete search history.

D497,958	S *	11/2004	Campbell	.....	D21/426
D571,863	S *	6/2008	On	.....	D21/424
D579,502	S *	10/2008	Hourdeaux	.....	D21/426
D631,102	S *	1/2011	Jessie, Jr.	.....	D21/424
8,517,403	B2 *	8/2013	Jessie, Jr.	.....	280/87.041
2002/0096846	A1	7/2002	Chen		
2005/0093262	A1	5/2005	Chang		
2007/0164530	A1	7/2007	Horn		
2011/0198819	A1 *	8/2011	Jessie, Jr.	.....	280/7.15
2012/0181773	A1 *	7/2012	Ouboter	.....	280/263
2014/0042717	A1 *	2/2014	Chan	.....	280/5.509

**OTHER PUBLICATIONS**

EP 12192984, Extended European Search Report, Dec. 5, 2014.

\* cited by examiner

*Primary Examiner* — Cynthia M Chin  
(74) *Attorney, Agent, or Firm* — Millman IP Inc.

(57) **CLAIM**  
The ornamental design for a scooter, as shown and described.

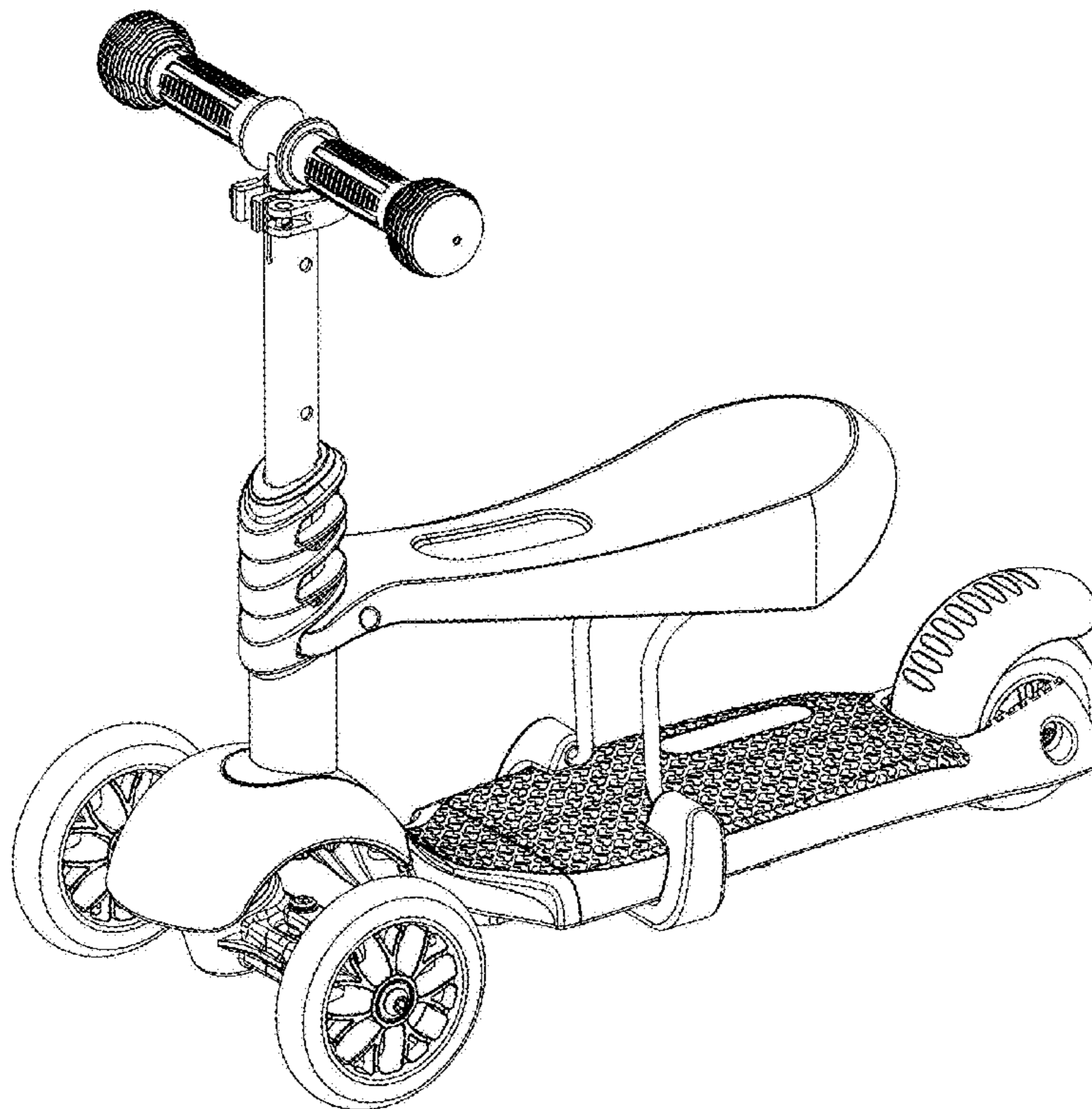
**DESCRIPTION**

FIG. 1 is a perspective view from above and to one side of the new design for a scooter;  
FIG. 2 is a top plan view thereof;  
FIG. 3 is a bottom plan view thereof;  
FIG. 4 is a left side elevation view thereof;  
FIG. 5 is a right side elevation view thereof;  
FIG. 6 is a rear side elevation view thereof; and,  
FIG. 7 is a front side elevation view thereof.  
The portions of the scooter shown in broken lines are to show the environment only and form no part of the claimed design.

**1 Claim, 6 Drawing Sheets**

(56) **References Cited**  
U.S. PATENT DOCUMENTS

D191,176	S *	8/1961	Pressnerl	.....	D21/424
D221,568	S *	8/1971	Krause	.....	D21/435
3,751,062	A	8/1973	White		
3,870,324	A	3/1975	Balstad		
D410,058	S *	5/1999	Friend	.....	D21/771
6,286,843	B1	9/2001	Lin		
6,315,304	B1	11/2001	Kirkland et al.		
6,382,646	B1	5/2002	Shaw		



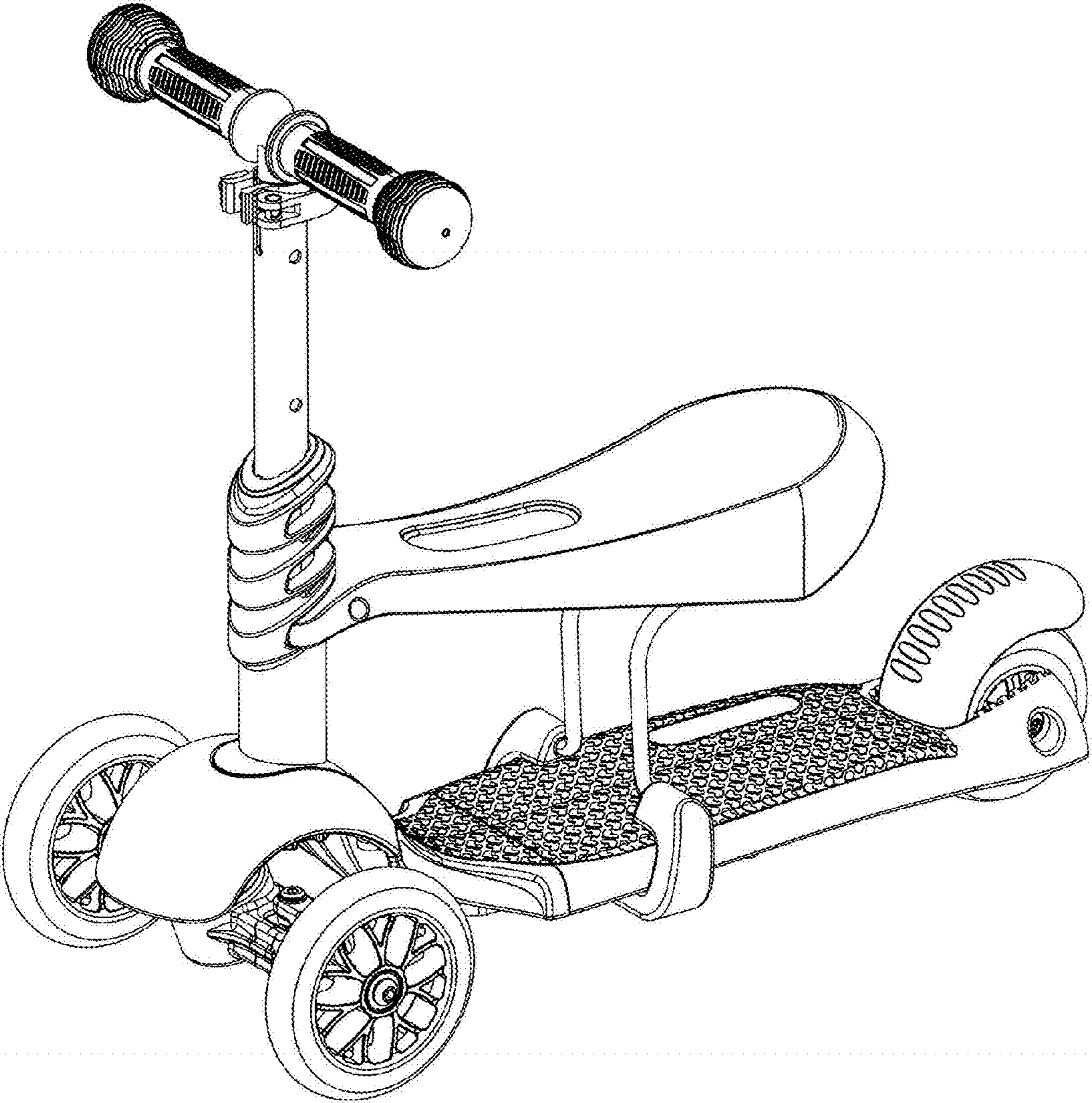


FIG. 1

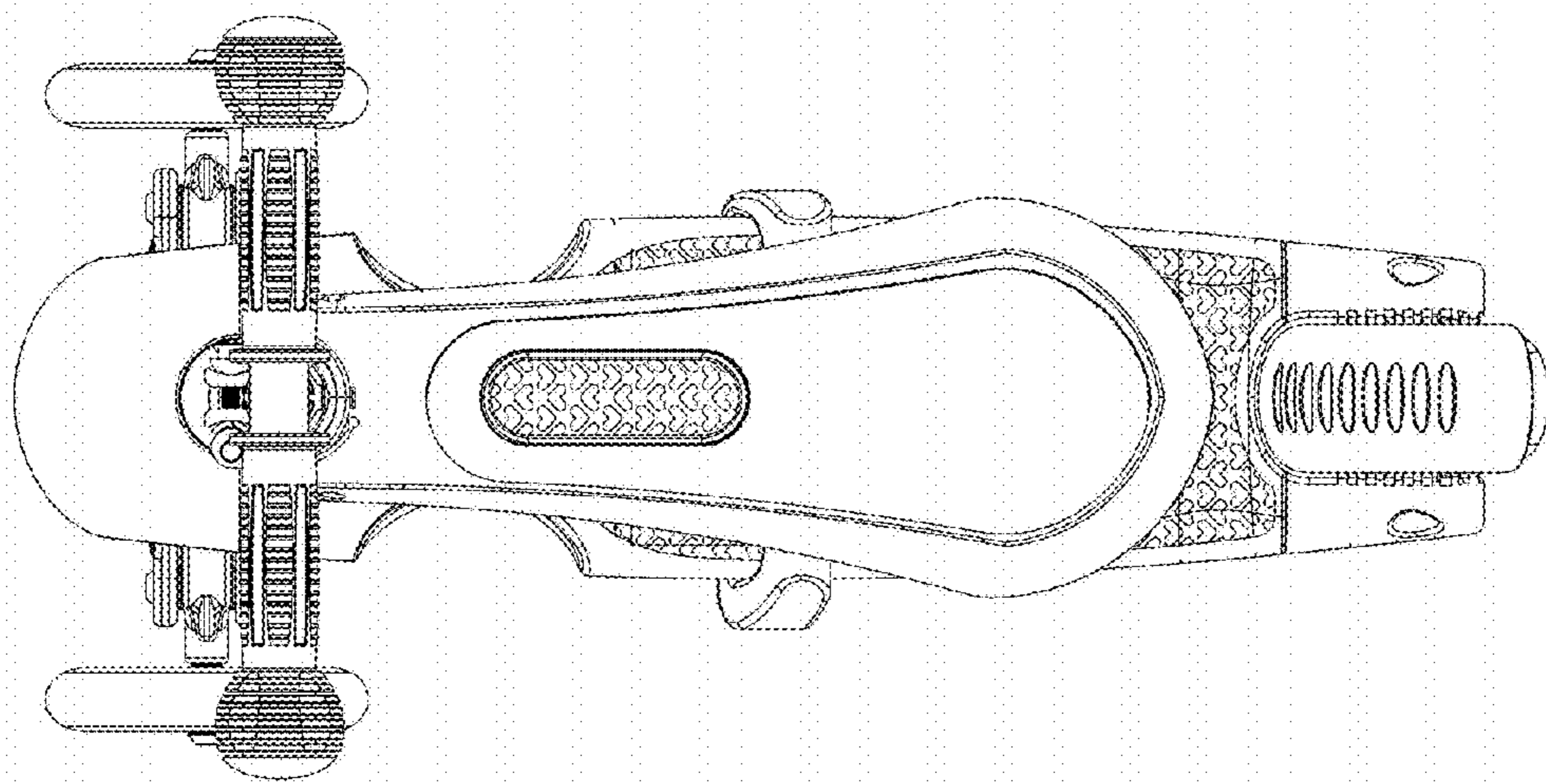


FIG. 2



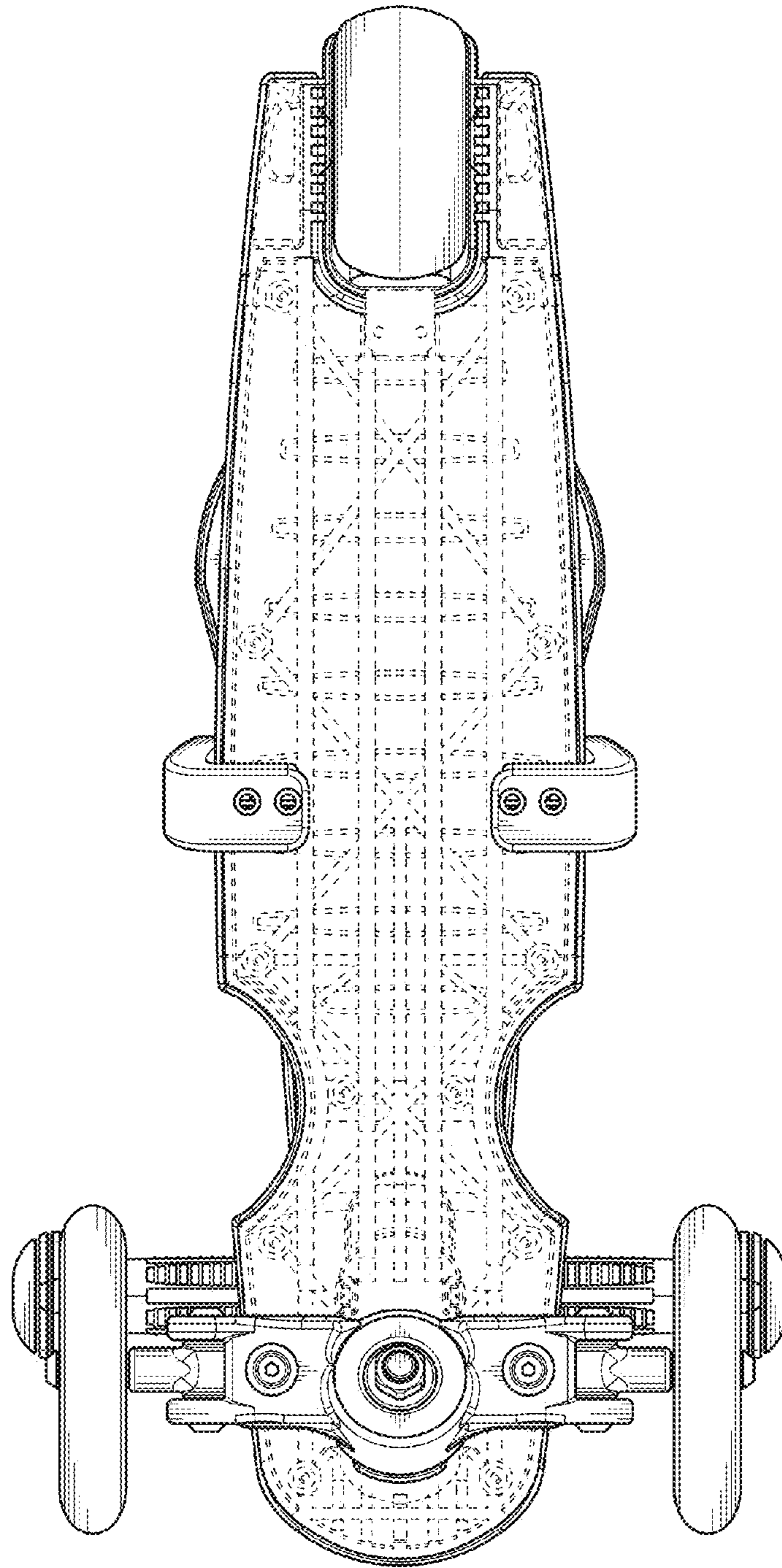


FIG. 3

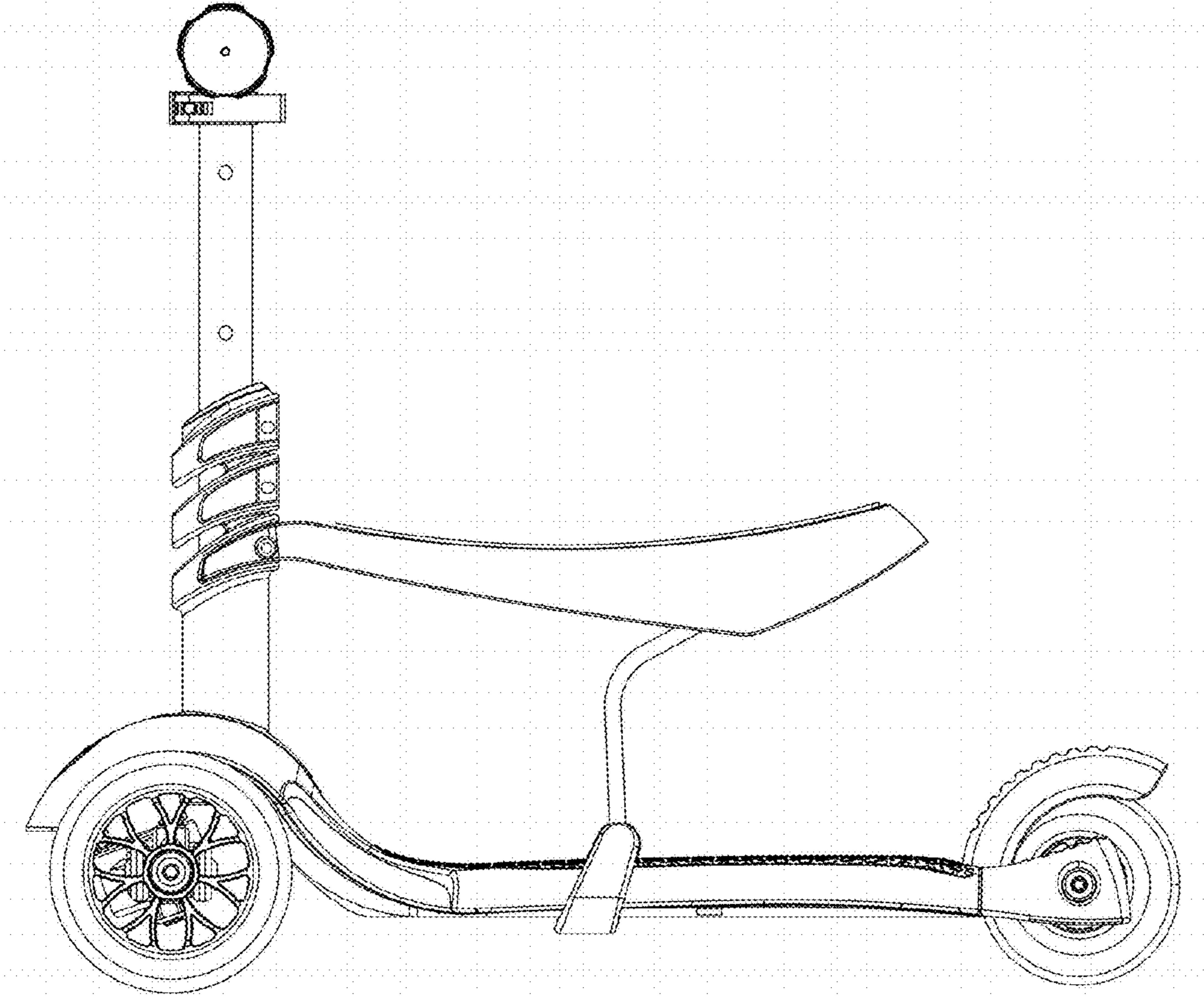


FIG. 4

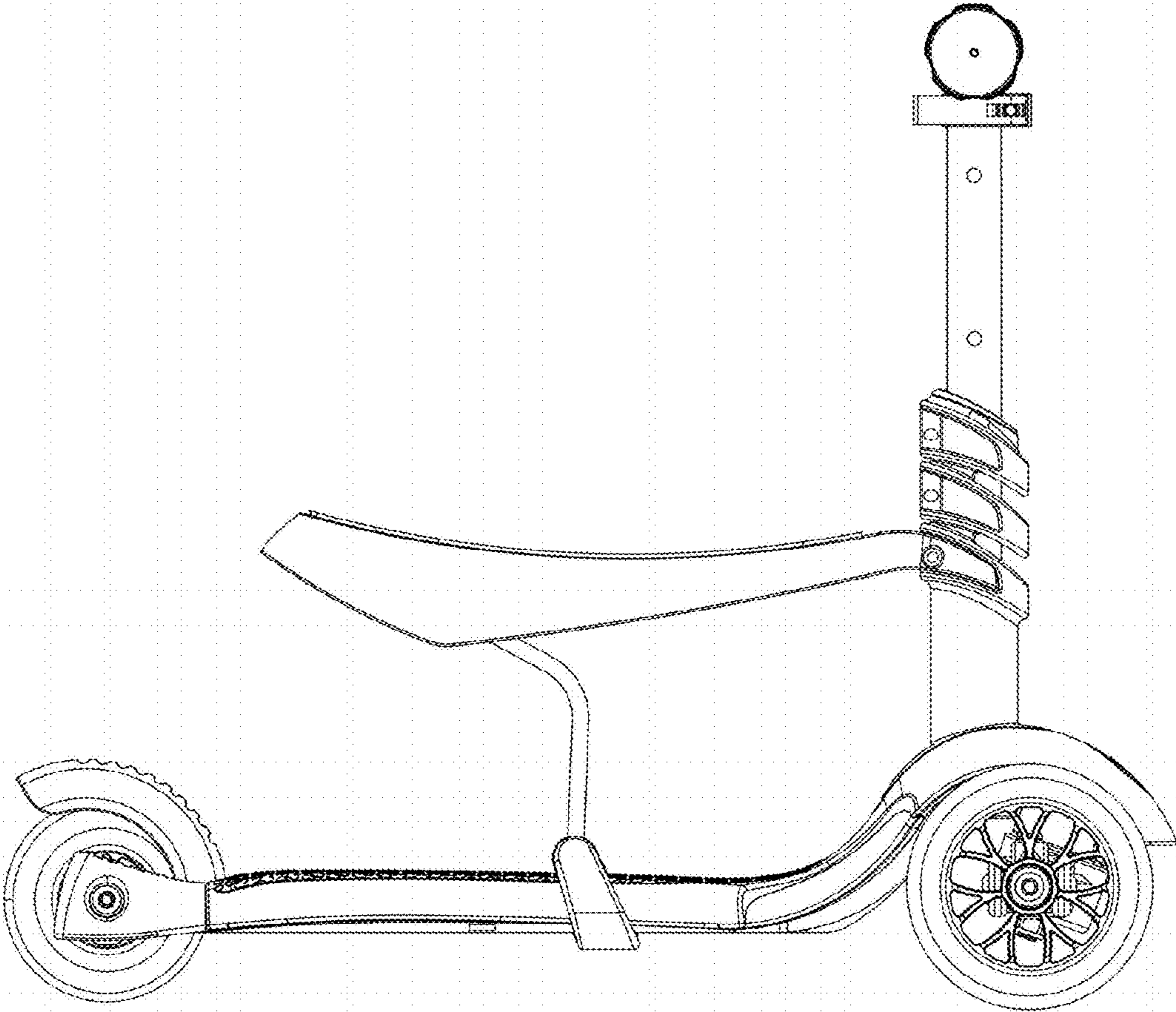


FIG. 5

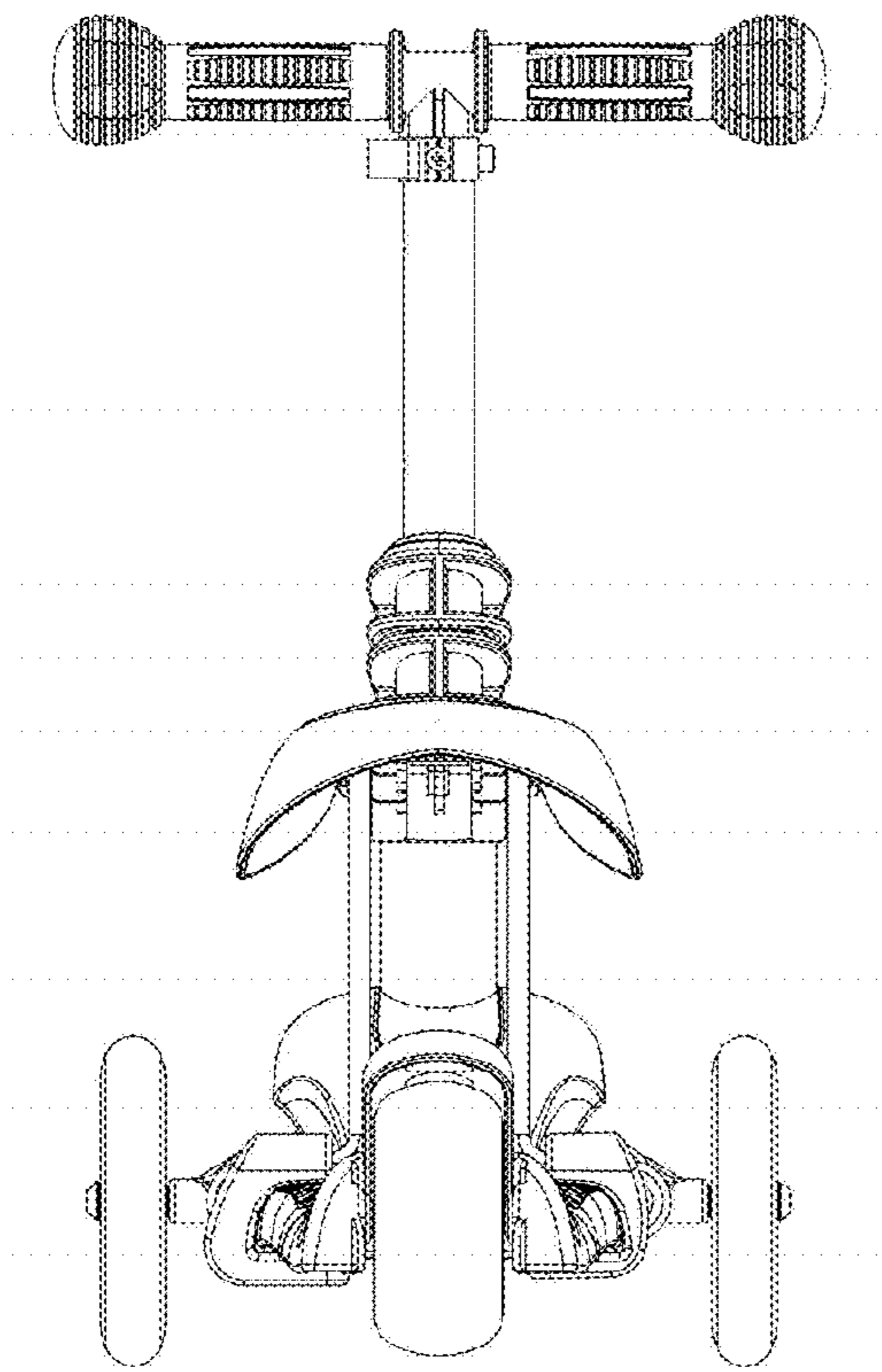


FIG. 6

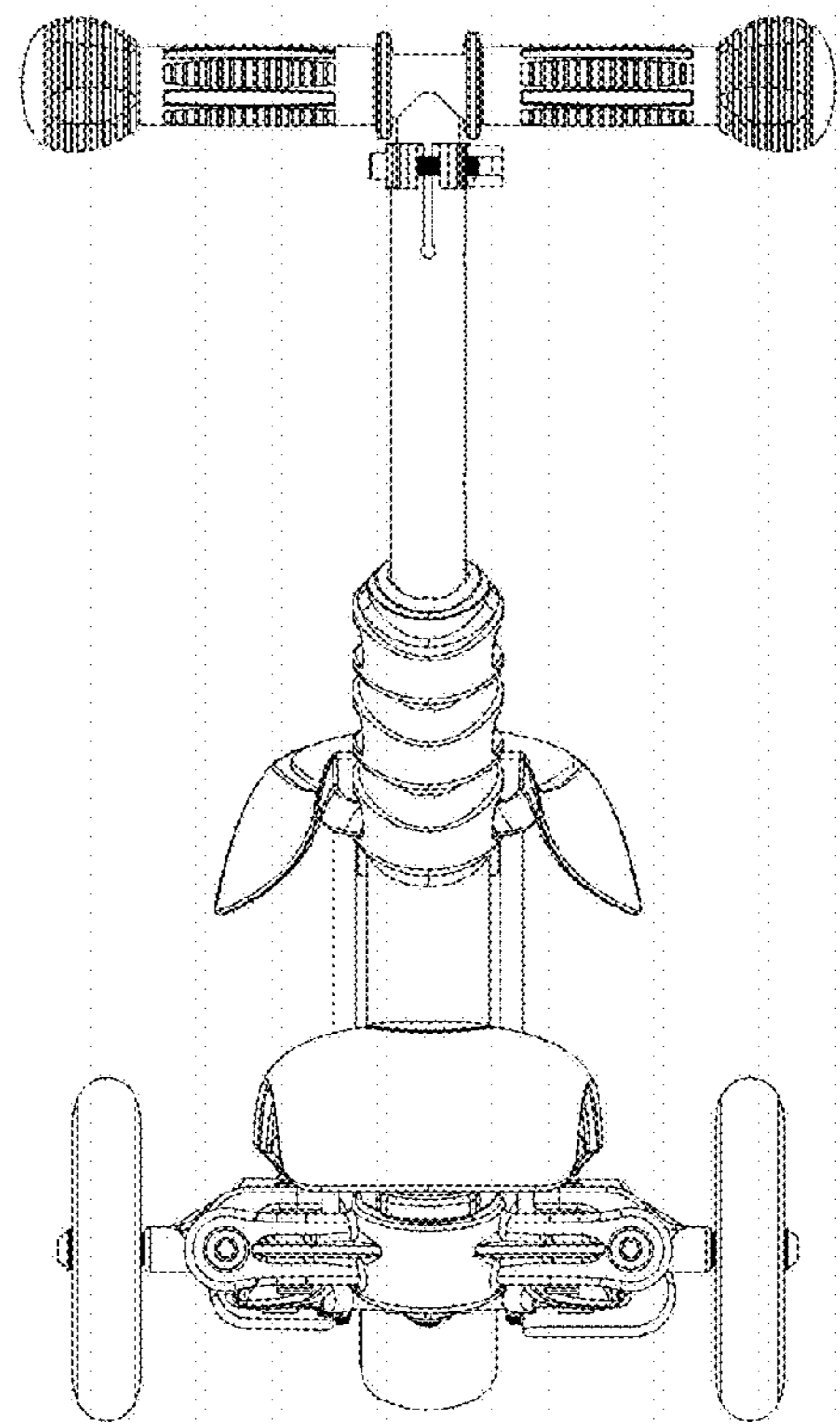


FIG. 7