



US00D749169S

(12) **United States Design Patent**
Kil et al.

(10) **Patent No.:** **US D749,169 S**
(45) **Date of Patent:** **** Feb. 9, 2016**

(54) **PRINTER**

(71) Applicant: **BROTHER INDUSTRIES, LTD.**,
Nagoya-shi, Aichi-ken (JP)

(72) Inventors: **Jihoon Kil**, Nagoya (JP); **Ryoichi Nakagawa**, Kiyosu (JP)

(73) Assignee: **BROTHER INDUSTRIES, LTD.**,
Nagoya (JP)

(**) Term: **14 Years**

(21) Appl. No.: **29/491,328**

(22) Filed: **May 20, 2014**

(30) **Foreign Application Priority Data**

May 2, 2014 (JP) 2014-9655
May 2, 2014 (JP) 2014-9656

(51) **LOC (10) Cl.** **14-02**

(52) **U.S. Cl.**
USPC **D18/55**

(58) **Field of Classification Search**
USPC D18/36-39, 50, 54, 54.1, 55;
D14/420-425, 462-470; 400/613,
400/613.1-613.4, 690.1-690.4, 691-694
CPC B41J 1/46; B41J 3/36; B41J 9/26;
B41J 15/00; B41J 29/02; B41J 29/13; B41J
35/36; B65H 35/06; G03G 21/00; G03G
21/16; G03G 15/10; G06F 3/12; G06K 15/14
See application file for complete search history.

(56) **References Cited**

U.S. PATENT DOCUMENTS

D639,847 S * 6/2011 Nakata et al. D18/50
D653,703 S 2/2012 Seki et al.
D653,704 S 2/2012 Seki et al.
D722,339 S * 2/2015 Nakagawa et al. D18/55

OTHER PUBLICATIONS

Design U.S. Appl. No. 29/491,344, filed May 20, 2014 in the name of Nakagawa et al.
Design U.S. Appl. No. 29/491,349, filed May 20, 2014 in the name of Nakagawa et al.
Design U.S. Appl. No. 29/491,381, filed May 20, 2014 in the name of Nakagawa et al.

* cited by examiner

Primary Examiner — Cathy Anne MacCormac

(74) *Attorney, Agent, or Firm* — Oliff PLC

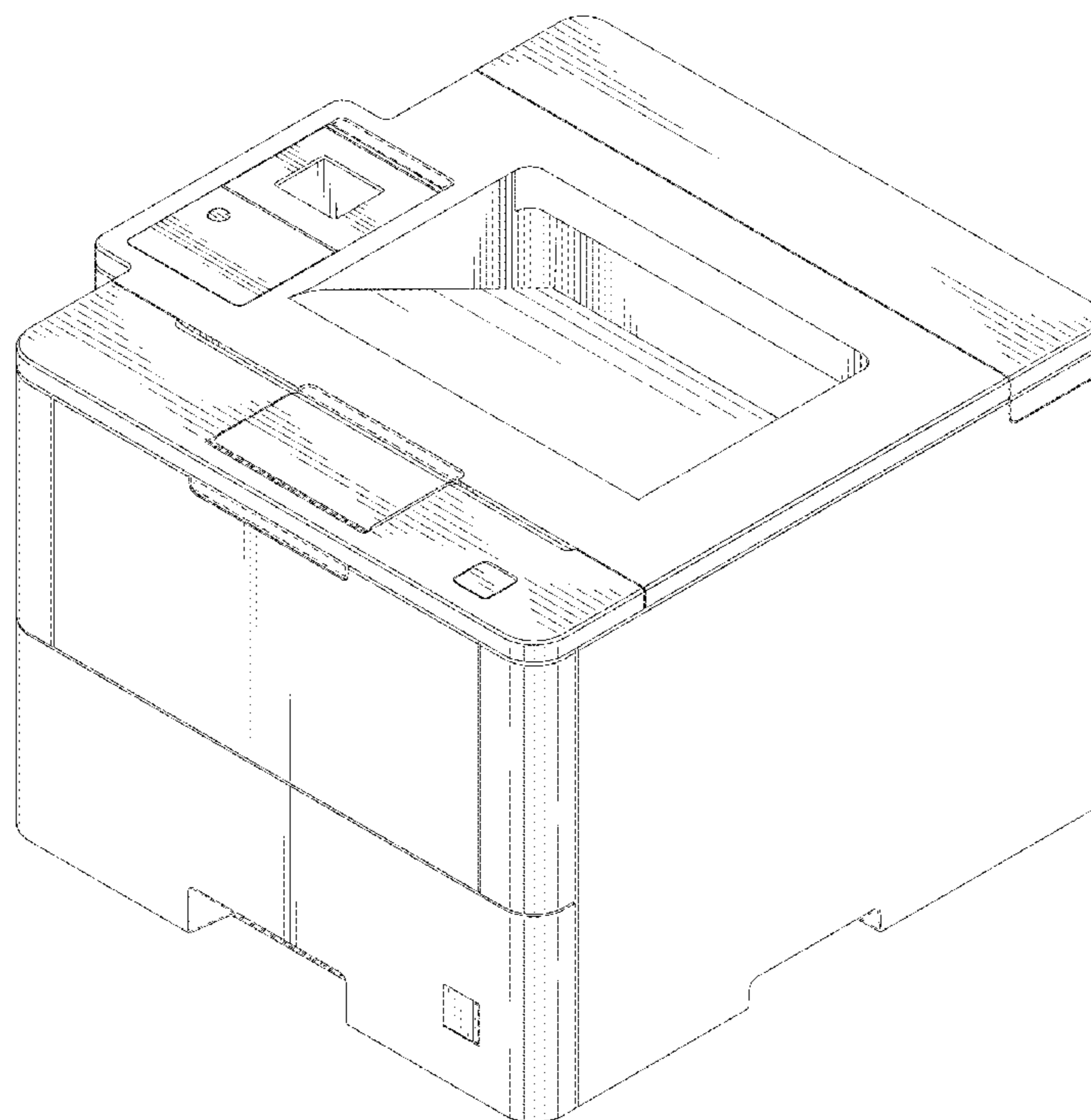
(57) **CLAIM**

The ornamental design for a printer, as shown and described.

DESCRIPTION

FIG. 1 is a perspective view of a printer;
FIG. 2 is a front view thereof;
FIG. 3 is a top view thereof;
FIG. 4 is a right-side view thereof;
FIG. 5 is a left-side view thereof;
FIG. 6 is a rear view thereof; and,
FIG. 7 is a bottom view thereof.
The broken lines depict environmental subject matter only and form no part of the claimed design.

1 Claim, 7 Drawing Sheets



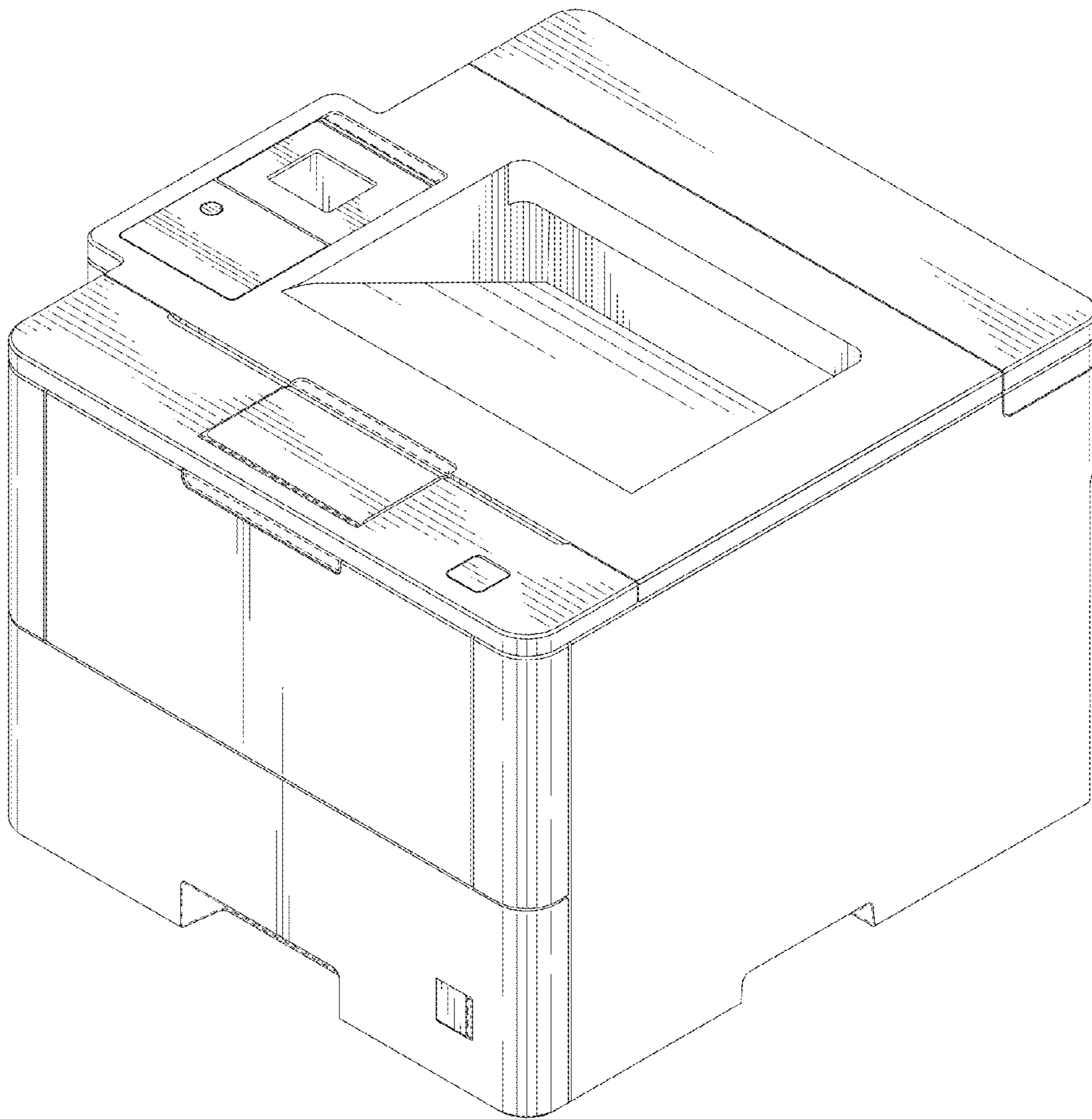


FIG. 1

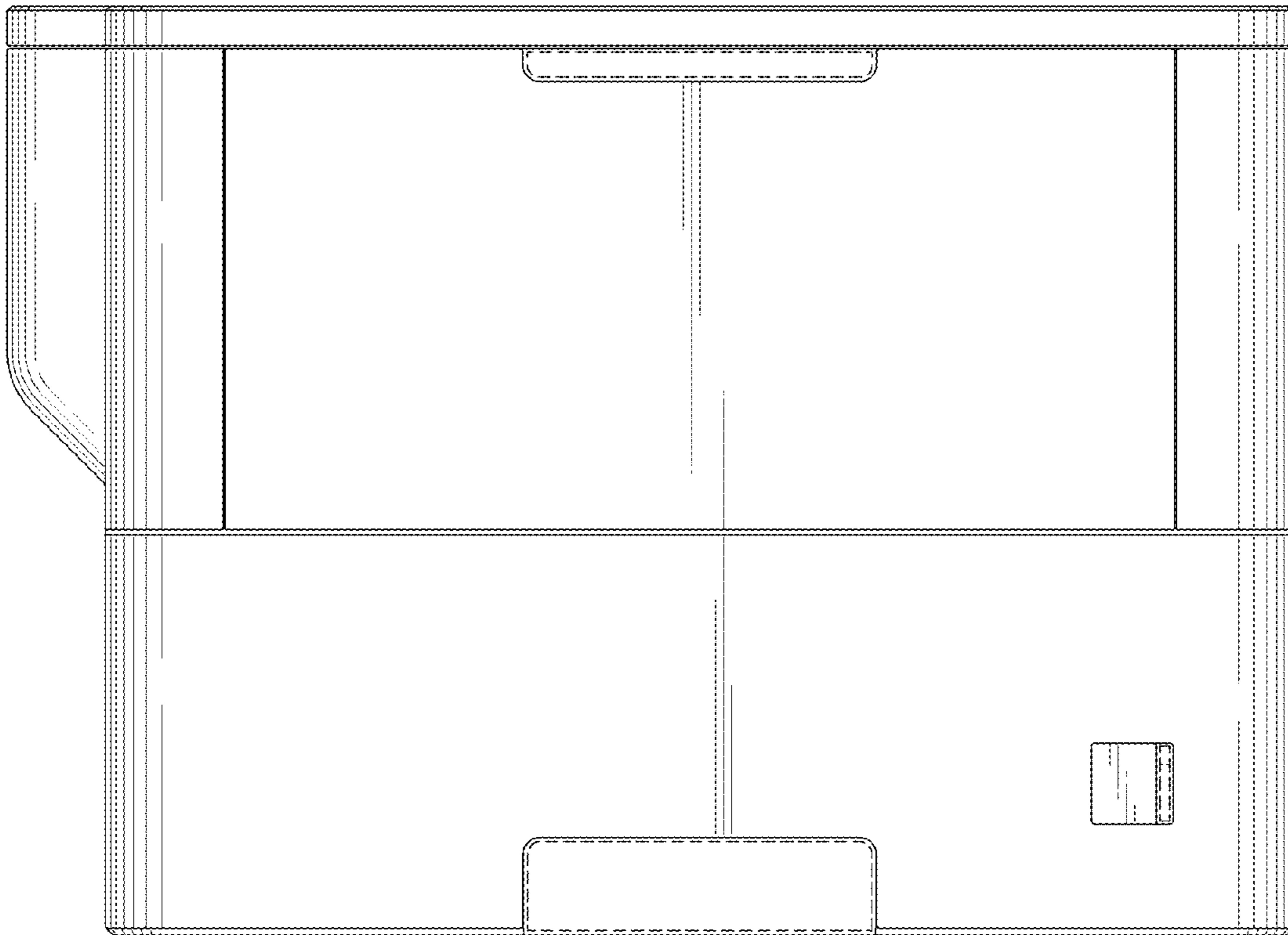


FIG. 2

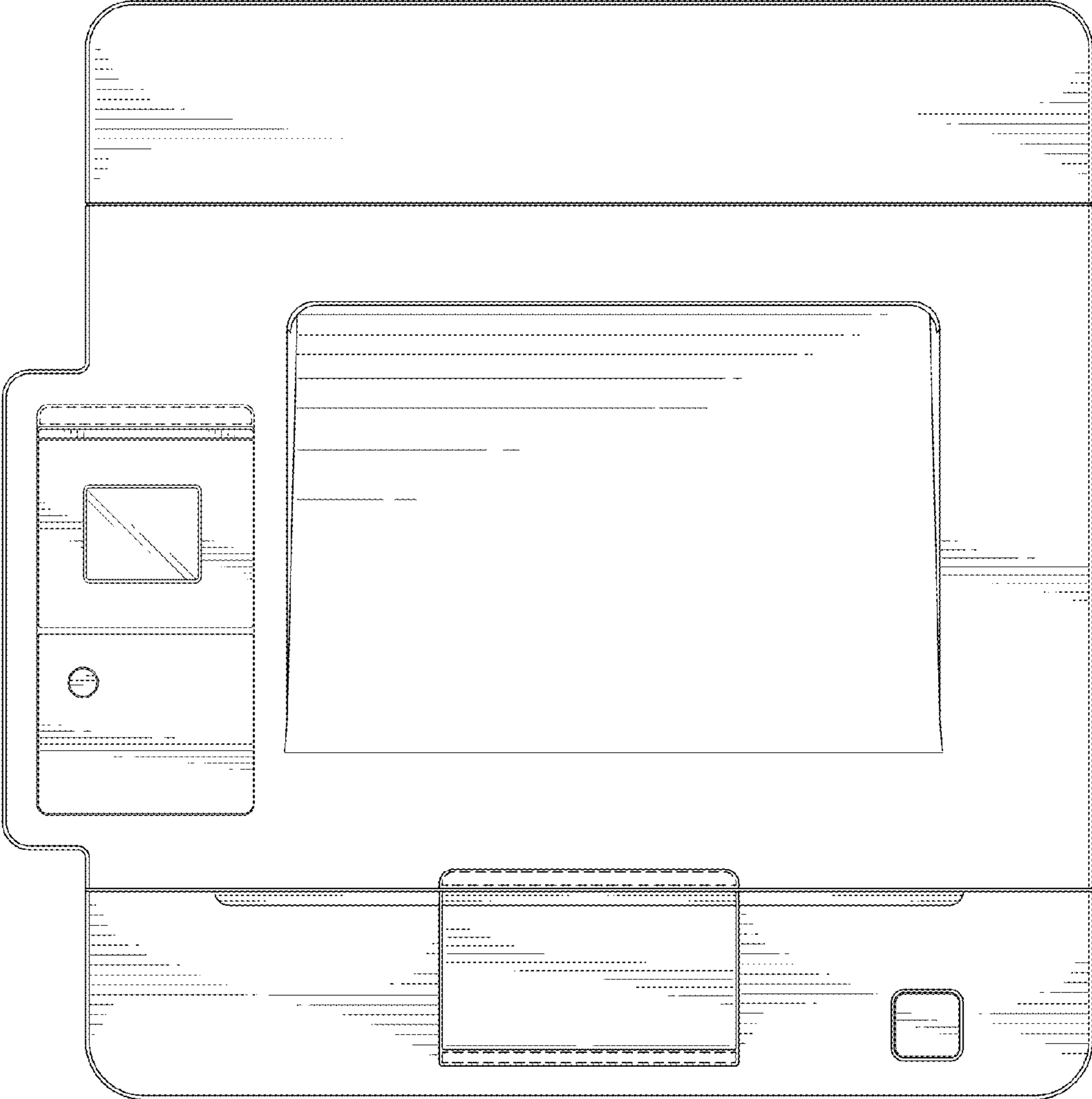


FIG. 3

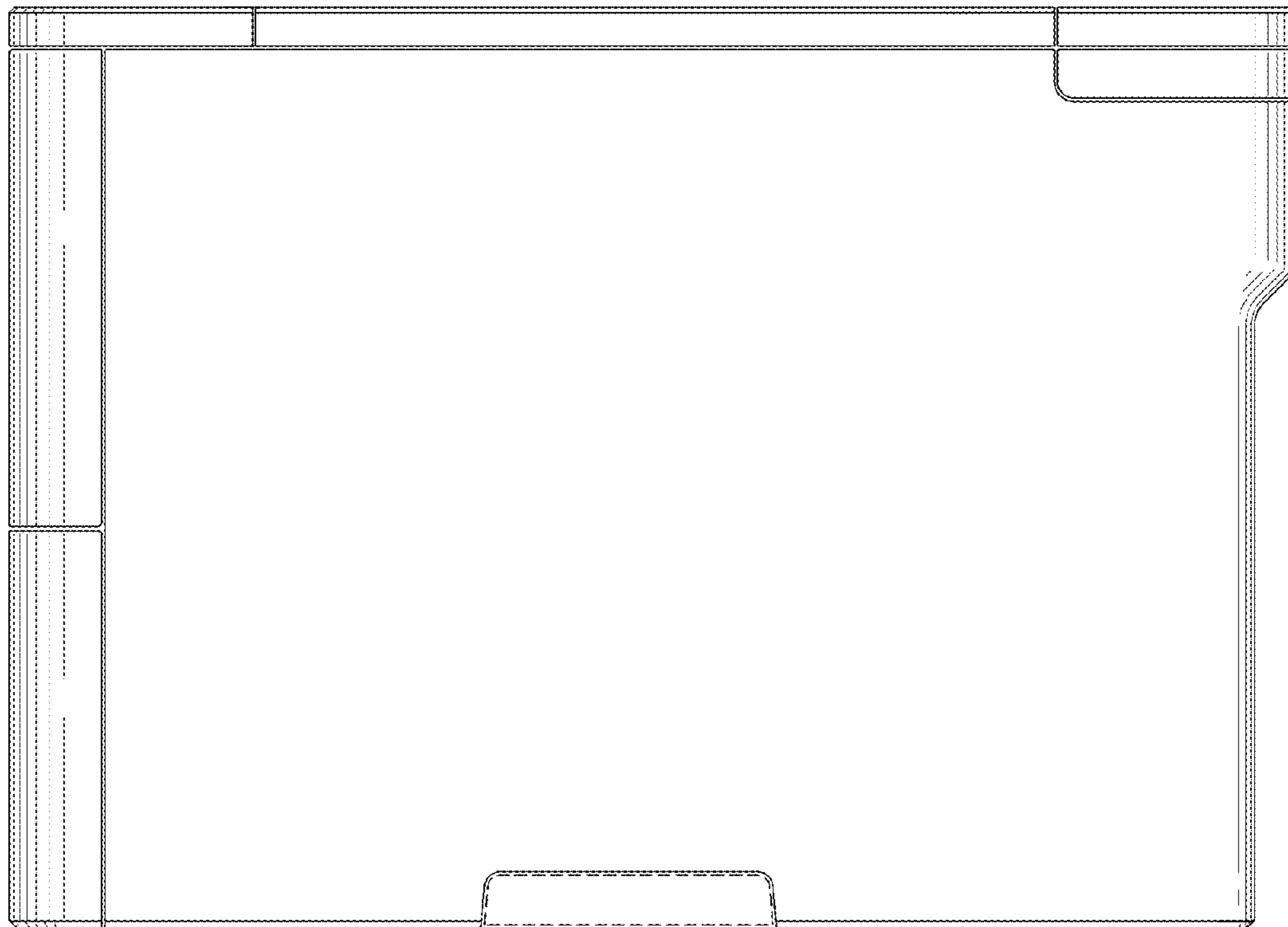


FIG. 4

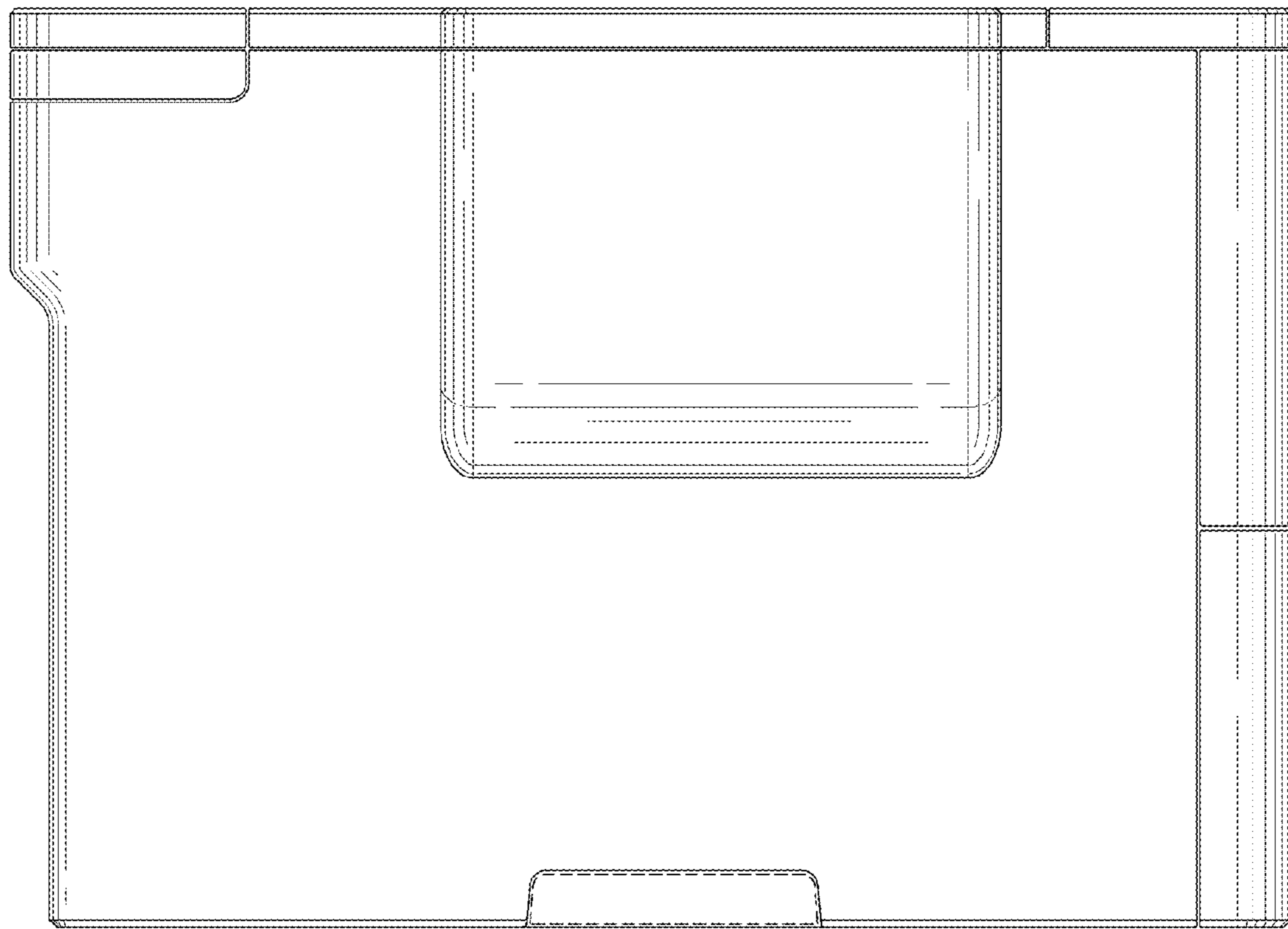


FIG. 5

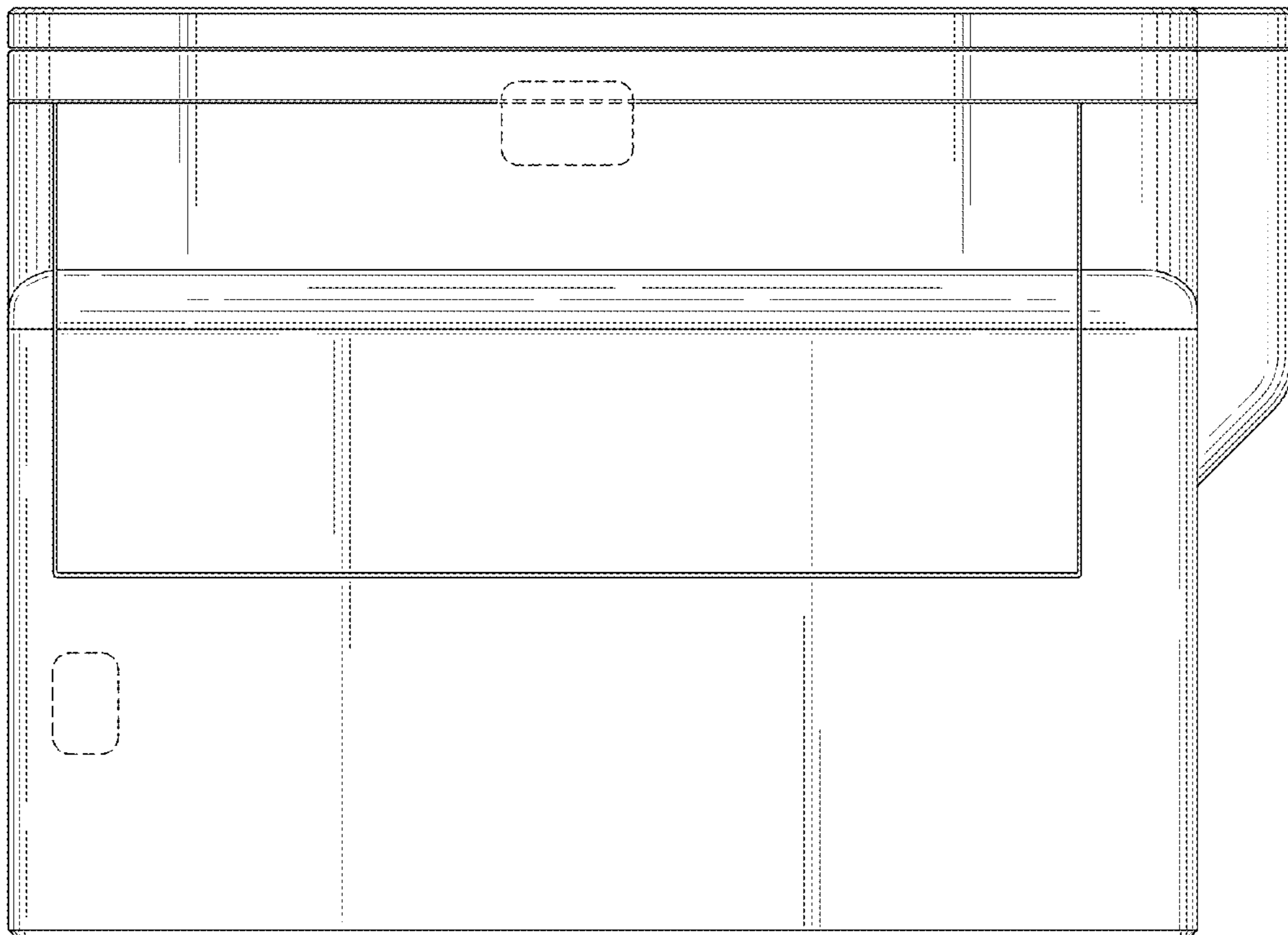


FIG. 6

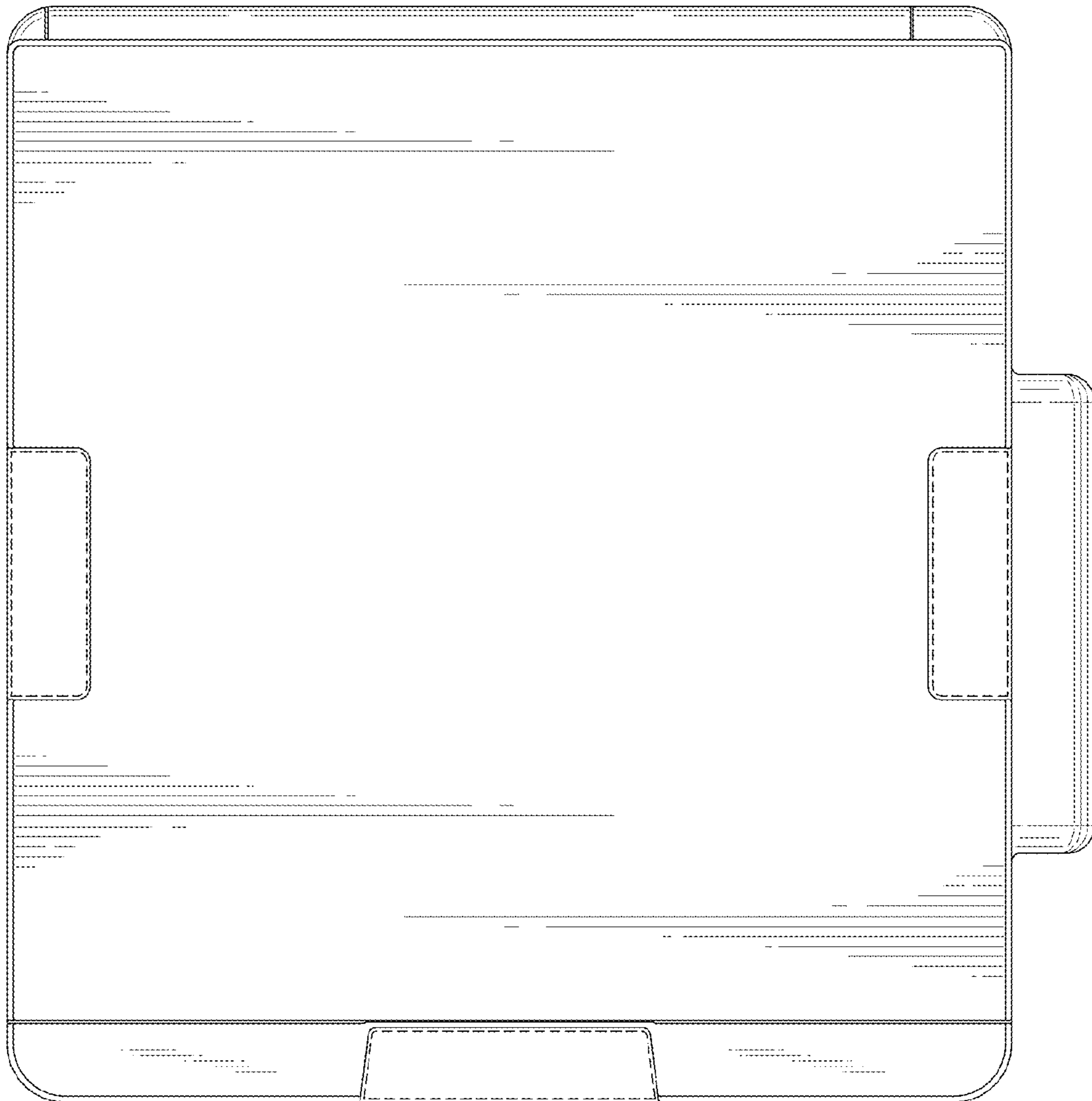


FIG. 7