



US00D749167S

(12) **United States Design Patent**
Jung et al.

(10) **Patent No.:** **US D749,167 S**

(45) **Date of Patent:** **** Feb. 9, 2016**

(54) **PRINTER**

(56) **References Cited**

(71) Applicant: **Samsung Electronics Co., Ltd.**,
Suwon-si (KR)

(72) Inventors: **GwangChae Jung**, Seoul (KR);
Mi-kyeong Kim, Chunan-si (KR);
Gyejin Jun, Sungnam-si (KR); **Minchul**
Kim, Buchunsi (KR); **Kyuhoo Song**,
Incheon (KR); **Aemin Shim**, Sungnam-si
(KR); **Dhojin Han**, Taeku (KR)

(73) Assignee: **Samsung Electronics Co., Ltd.**,
Suwon-si (KR)

U.S. PATENT DOCUMENTS

D181,794	S	*	12/1957	Hohmann	D18/54
D287,371	S	*	12/1986	Bekooy	D18/49
4,634,304	A	*	1/1987	Narushima et al.	400/691
4,828,416	A	*	5/1989	Pensavecchia et al.	400/691
D384,969	S	*	10/1997	Inoue et al.	D18/54
D411,588	S	*	6/1999	Hoopes	D21/369
D451,950	S	*	12/2001	Ohashi	D18/50
7,090,345	B2	*	8/2006	Pierce	400/693
D539,841	S	*	4/2007	Hegge	D18/53
D611,530	S	*	3/2010	Bundschuh et al.	D18/53
D677,723	S	*	3/2013	Buel et al.	D18/59
D688,741	S	*	8/2013	Joyce	D18/50

* cited by examiner

(**) Term: **14 Years**

Primary Examiner — Cathy Anne MacCormac

(21) Appl. No.: **29/484,790**

(74) *Attorney, Agent, or Firm* — NSIP Law

(22) Filed: **Mar. 13, 2014**

(57) **CLAIM**

We claim the ornamental design for a printer, as shown and described.

(30) **Foreign Application Priority Data**

DESCRIPTION

Sep. 26, 2013 (KR) 30-2013-0049129
(51) **LOC (10) Cl.** **14-02**
(52) **U.S. Cl.**
USPC **D18/50; D15/122**
(58) **Field of Classification Search**
USPC D18/36-39, 14, 19, 50, 53, 54, 54.1,
D18/55; D14/420-425, 462-470; 400/613,
400/613.1-613.4, 690.1-690.4, 691-694;
D15/122, 135

FIG. 1 is a front perspective view of a printer showing our new design;
FIG. 2 is a front view thereof;
FIG. 3 is a rear view thereof;
FIG. 4 is a left-side view thereof;
FIG. 5 is a right-side view thereof;
FIG. 6 is a top view thereof; and,
FIG. 7 is a bottom view thereof.

The broken lines in the figures show portions of the printer which form no part of the claimed design.

See application file for complete search history.

1 Claim, 6 Drawing Sheets

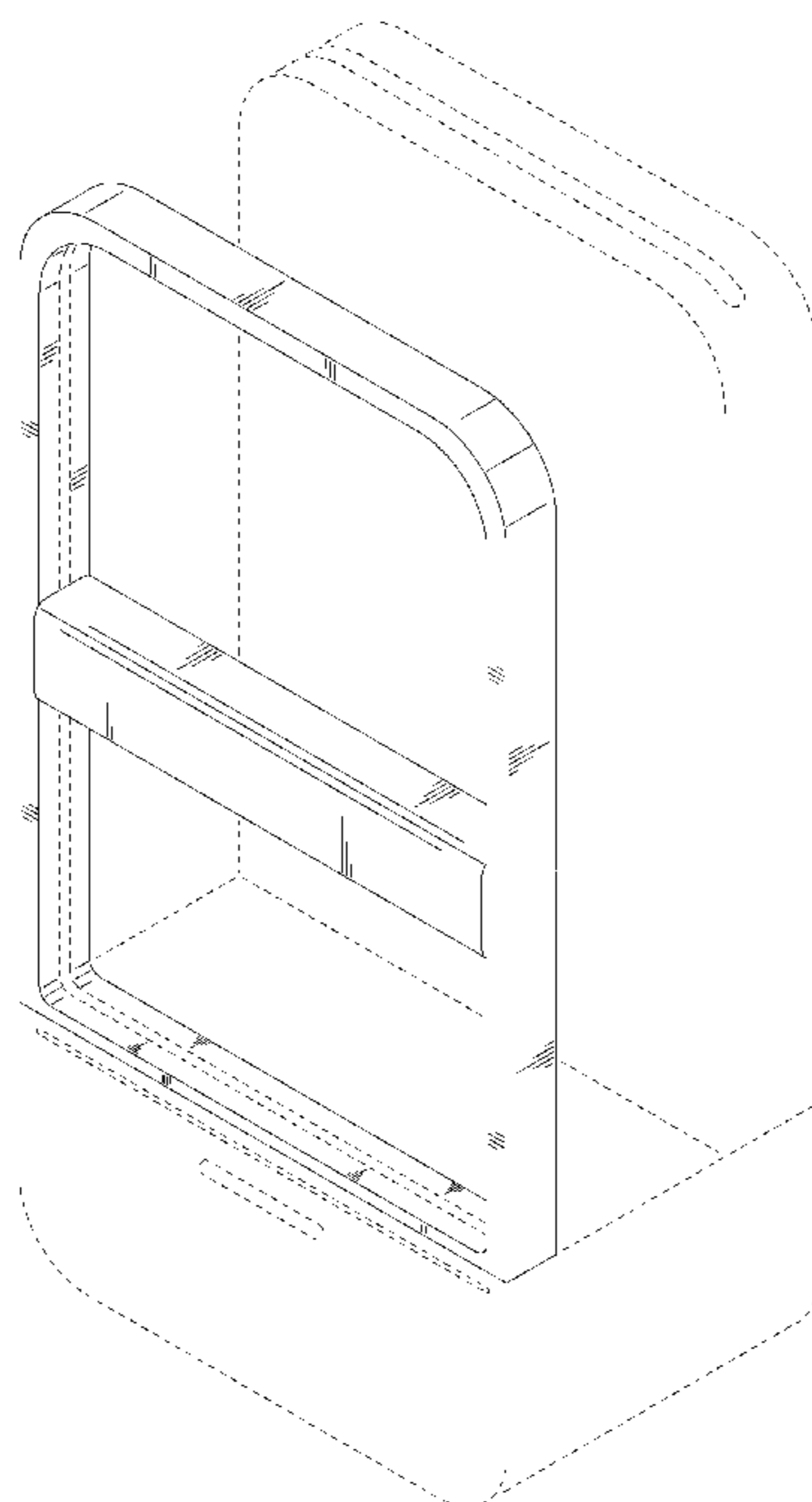


FIG. 1

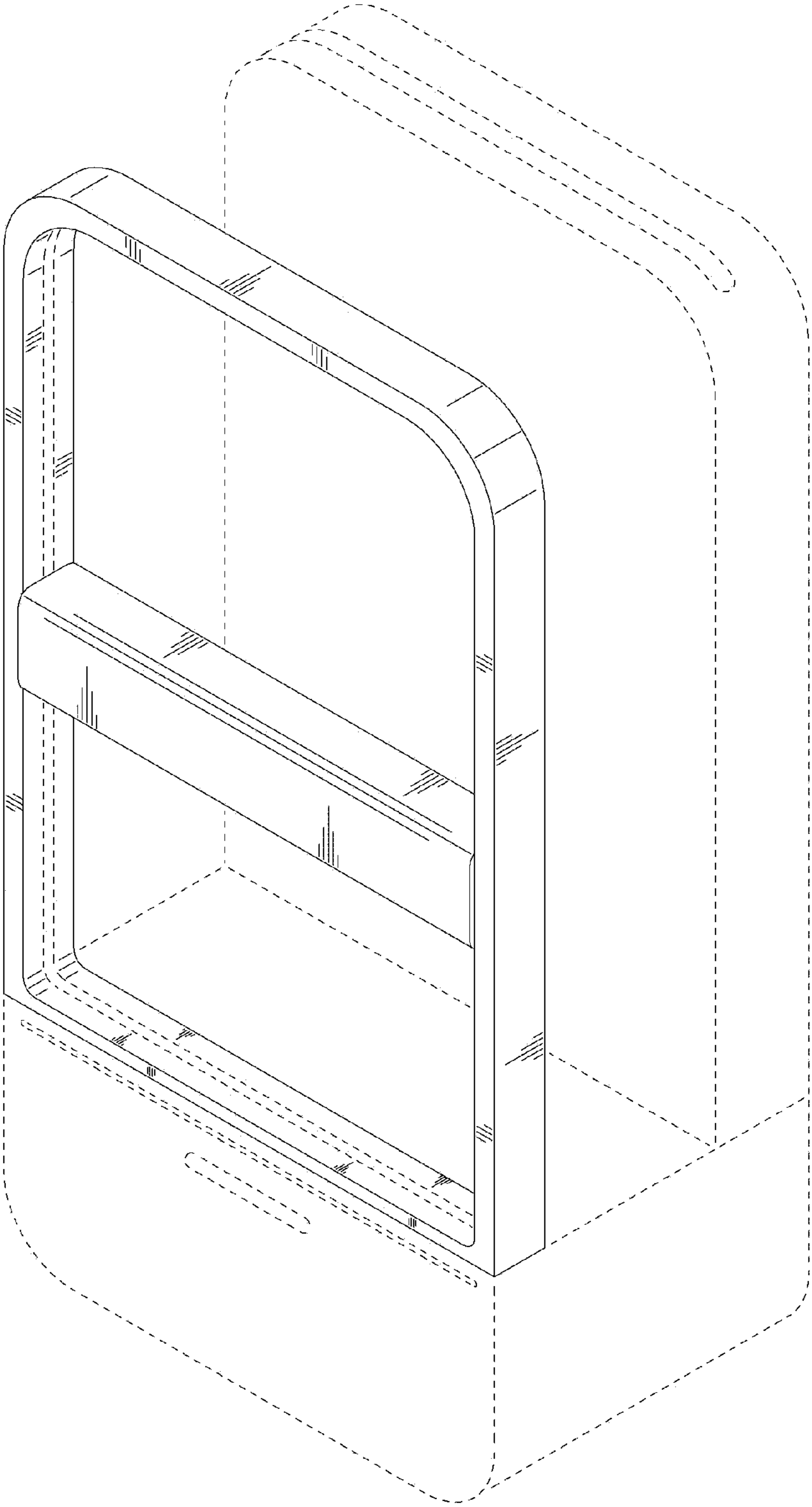


FIG.2

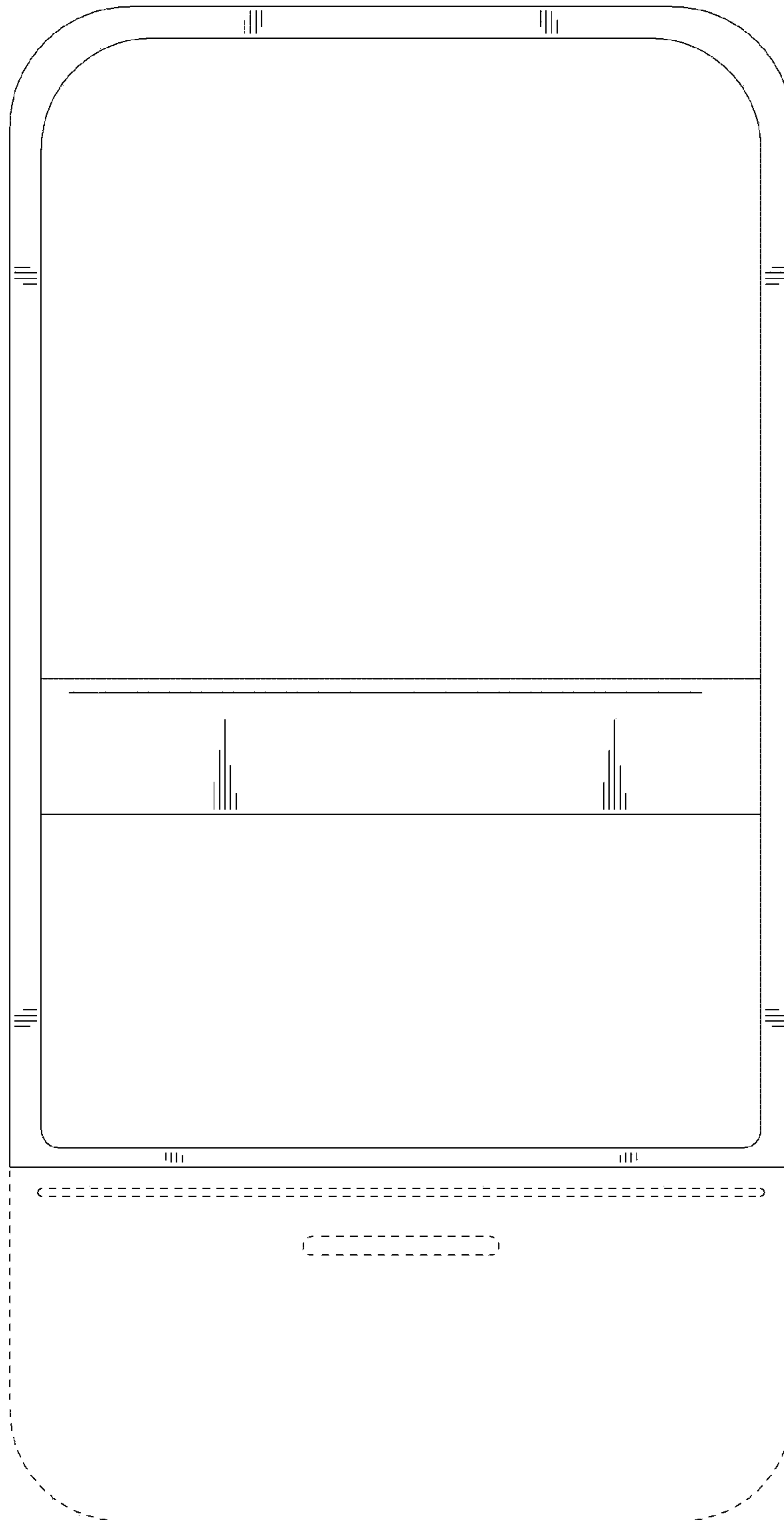


FIG.3

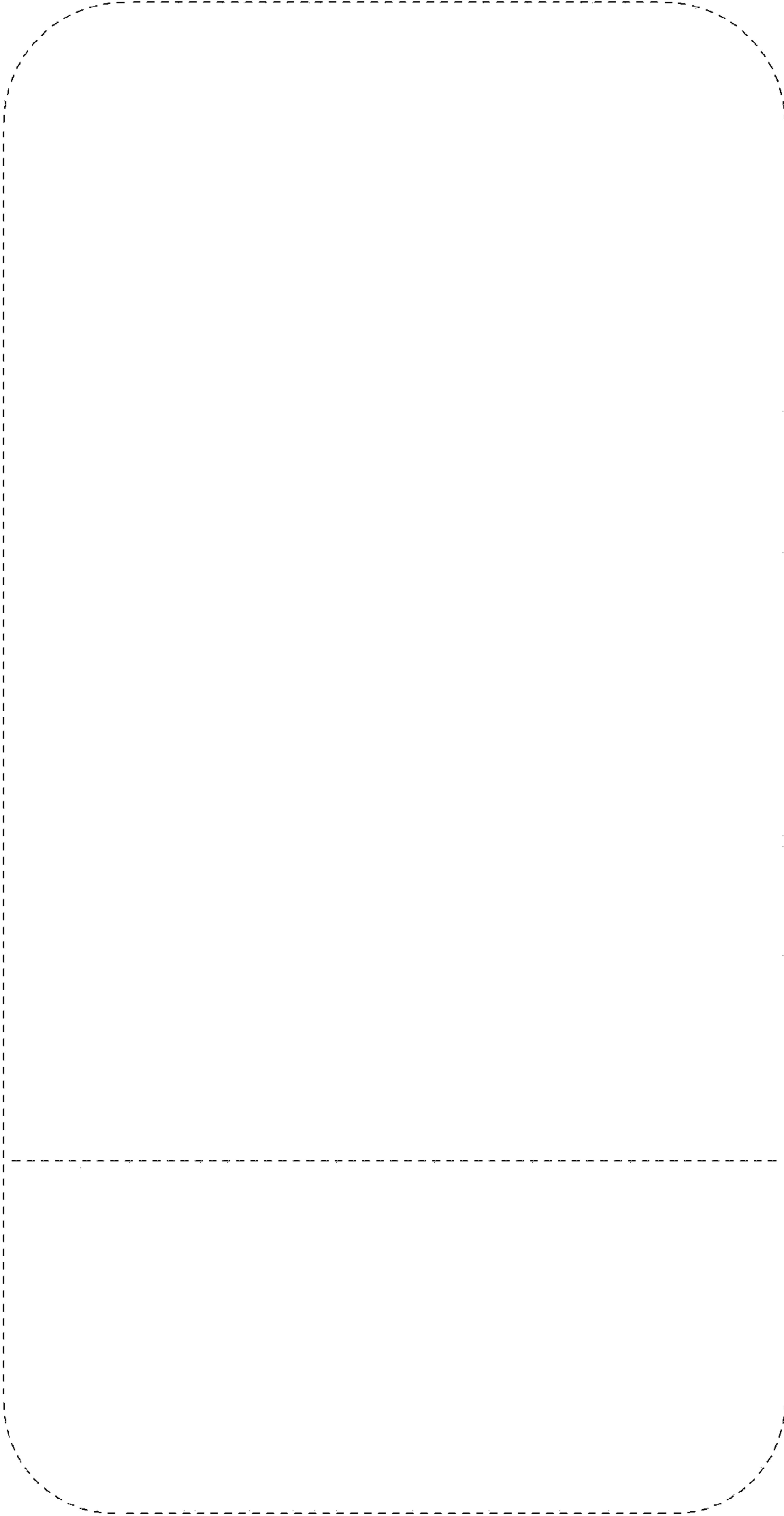


FIG.4

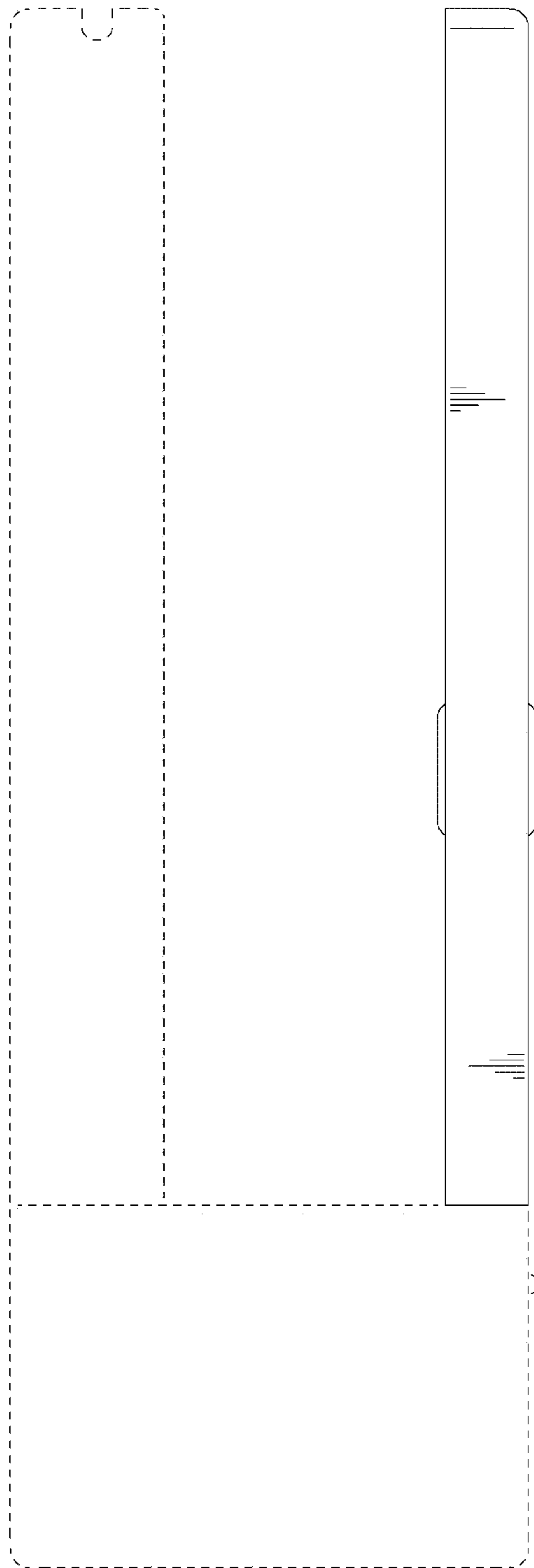


FIG. 5

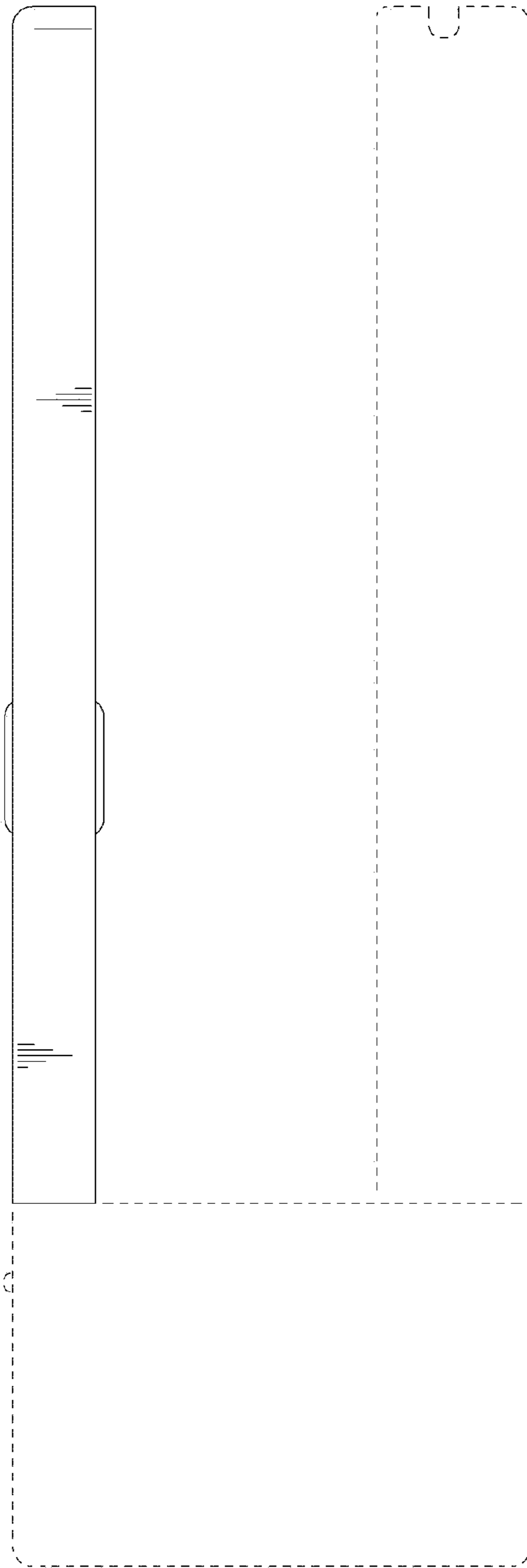


FIG.6

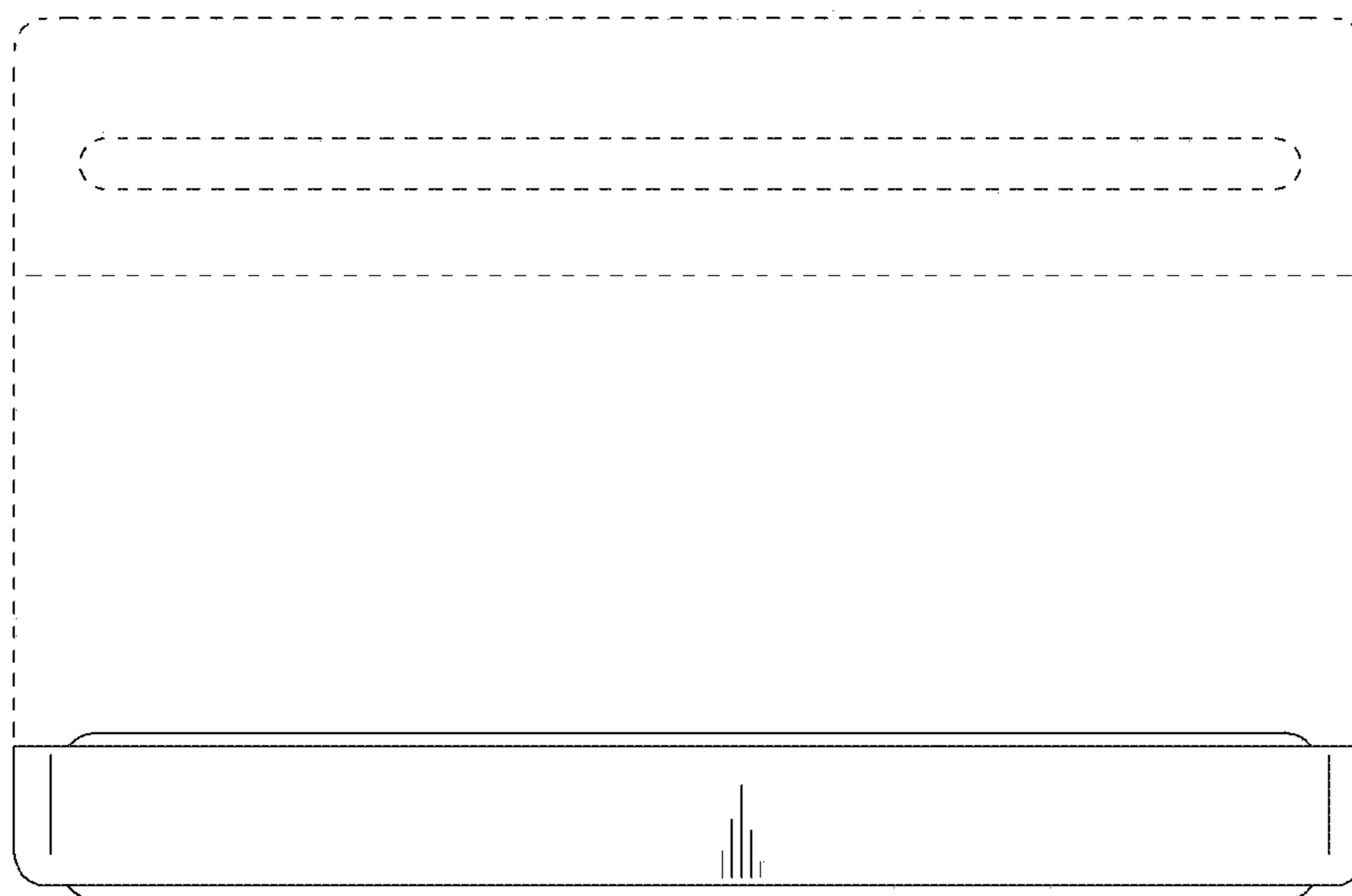


FIG.7

