



US00D749166S

(12) **United States Design Patent**
Goto et al.

(10) **Patent No.:** **US D749,166 S**
(45) **Date of Patent:** **** *Feb. 9, 2016**

(54) **TONER CARTRIDGE**

(75) Inventors: **Yoshihiro Goto**, Tokyo (JP); **Takuya Kitta**, Tokyo (JP)

(73) Assignee: **OKI DATA CORPORATION**, Tokyo (JP)

(*) Notice: This patent is subject to a terminal disclaimer.

(**) Term: **14 Years**

(21) Appl. No.: **29/419,560**

(22) Filed: **Apr. 30, 2012**

(30) **Foreign Application Priority Data**

Oct. 31, 2011 (JP) 2011-25082

(51) **LOC (10) Cl.** **16-03**

(52) **U.S. Cl.**
USPC **D18/43**

(58) **Field of Classification Search**
USPC D14/471; D18/12, 36, 40, 43, 44, 56;
222/DIG. 1; 347/197, 222; 399/24-28,
399/107-112, 119, 121, 122, 222-224
See application file for complete search history.

(56) **References Cited**

U.S. PATENT DOCUMENTS

D478,344 S * 8/2003 Kinoshita et al. D18/43
D478,345 S * 8/2003 Kinoshita et al. D18/43

D491,602 S * 6/2004 Koyama et al. D18/43
D546,873 S * 7/2007 Otani et al. D18/43
7,245,860 B2 * 7/2007 Huang et al. 399/106
D552,164 S * 10/2007 Kouroku et al. D18/43
D573,631 S * 7/2008 Oda et al. D18/43
D674,004 S * 1/2013 Shimomura et al. D18/43
2006/0216068 A1 * 9/2006 Huang et al. 399/262
2008/0187358 A1 * 8/2008 Kubota et al. 399/120
2009/0162101 A1 * 6/2009 Yoshida et al. 399/254
2012/0274992 A1 * 11/2012 Suzuki 358/474

* cited by examiner

Primary Examiner — Elizabeth Albert

(74) *Attorney, Agent, or Firm* — Ladas & Parry LLP

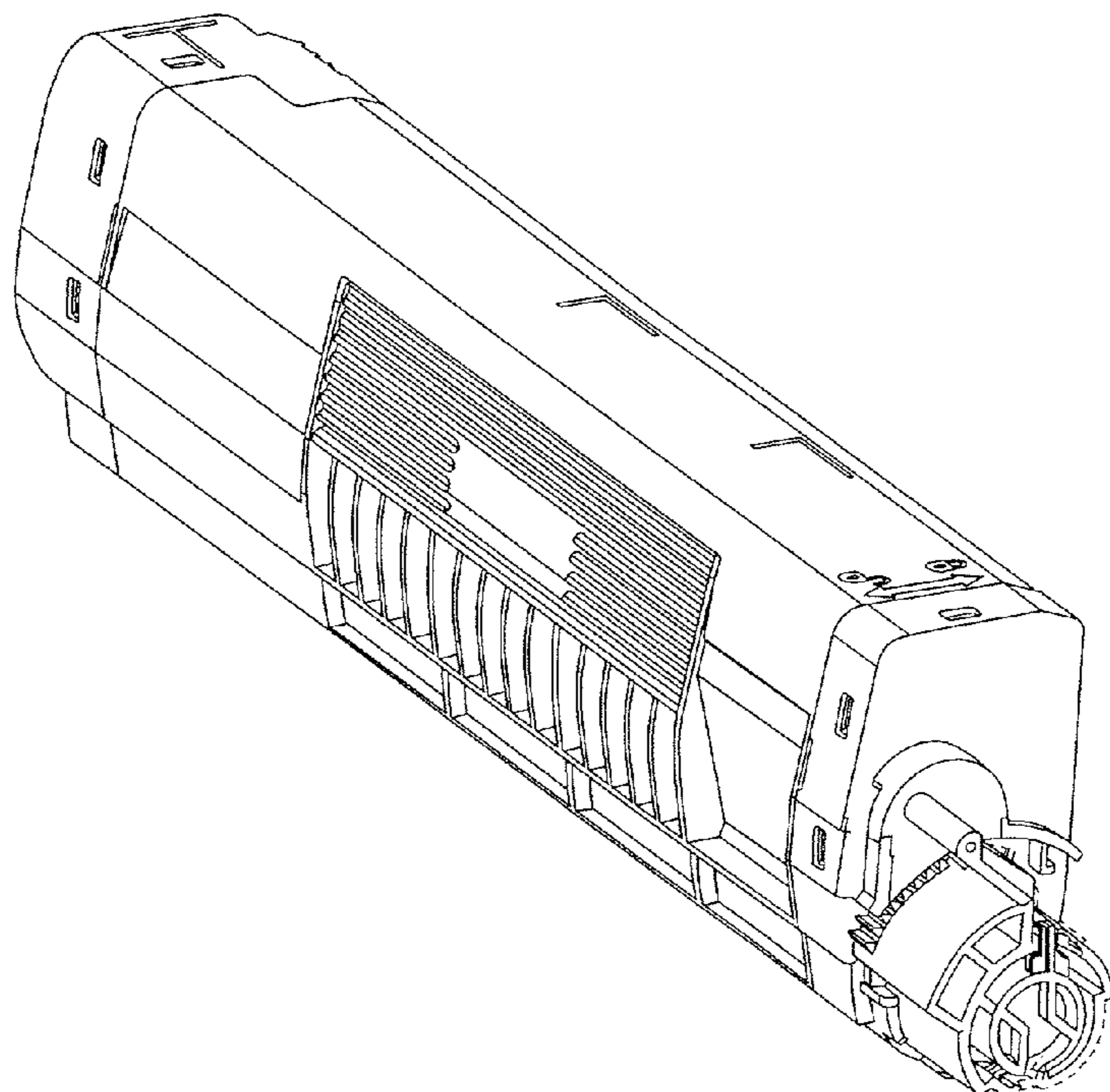
(57) **CLAIM**

The ornamental design for a toner cartridge, as shown and described.

DESCRIPTION

FIG. 1 is a front view thereof;
FIG. 2 is a rear view thereof;
FIG. 3 is a right side view thereof;
FIG. 4 is a left side view thereof;
FIG. 5 is a bottom view thereof;
FIG. 6 is a top plan view thereof;
FIG. 7 is a perspective view thereof; and,
FIG. 8 is another perspective view thereof.
The broken lines in the figures depict portions of the toner cartridge that form no part of the claimed design.

1 Claim, 8 Drawing Sheets



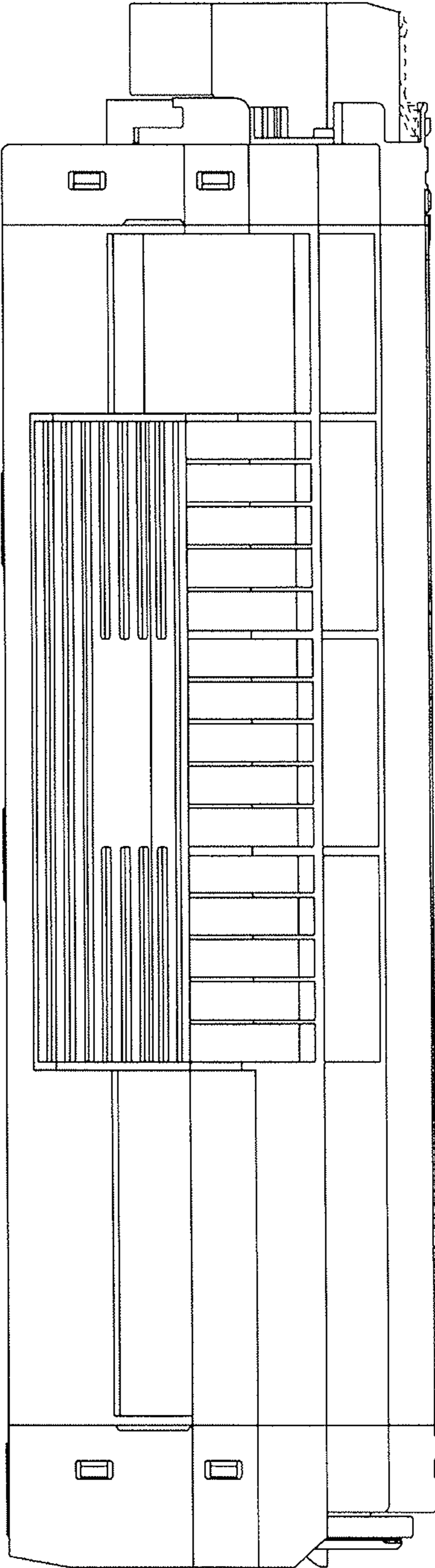


FIG. 1

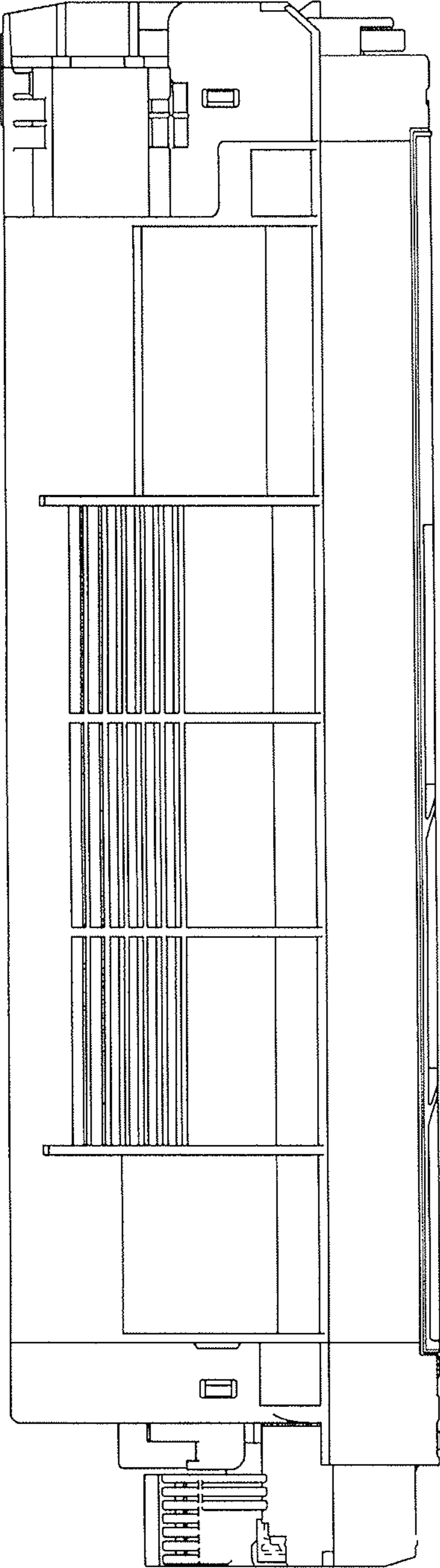


FIG. 2

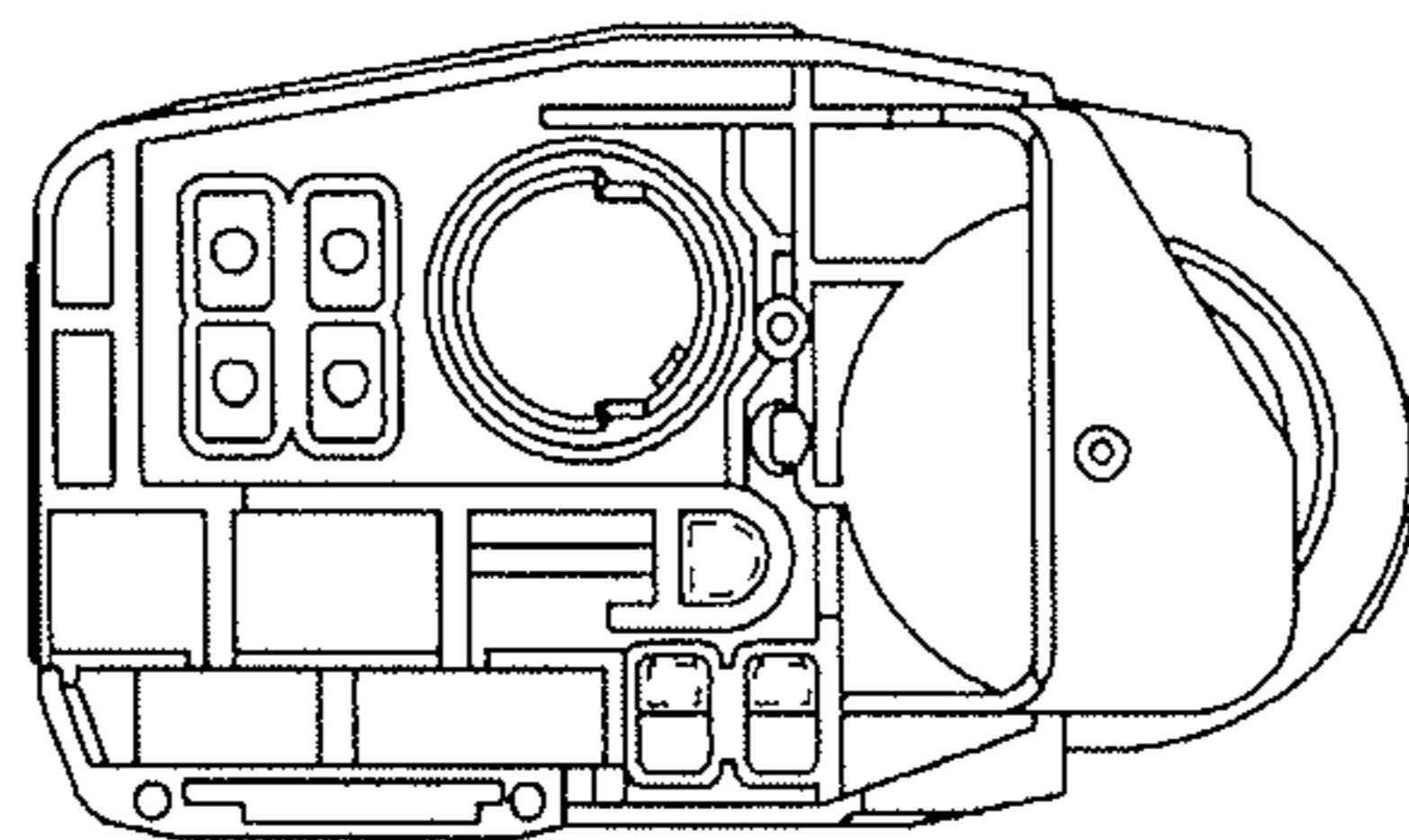


FIG. 3

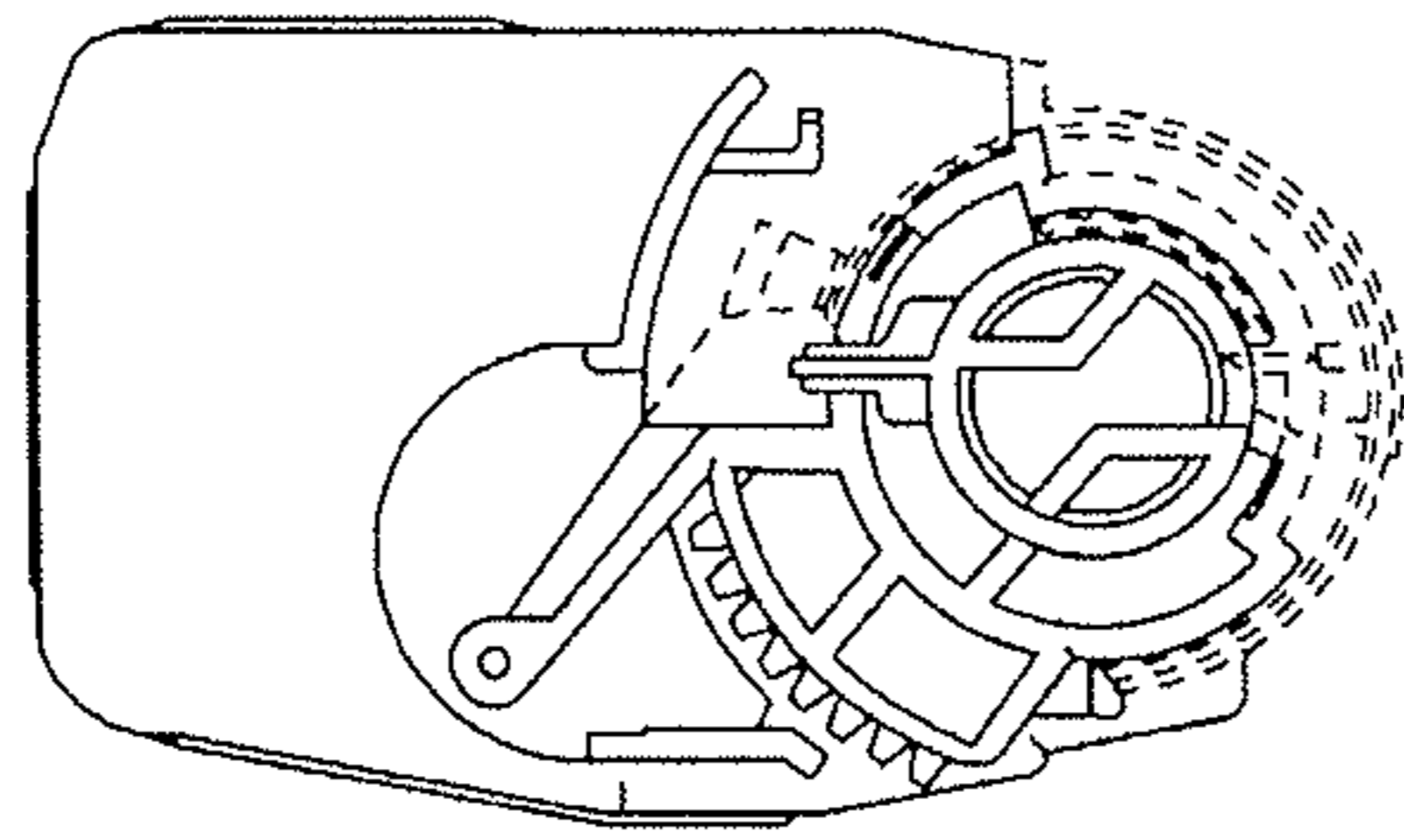


FIG. 4

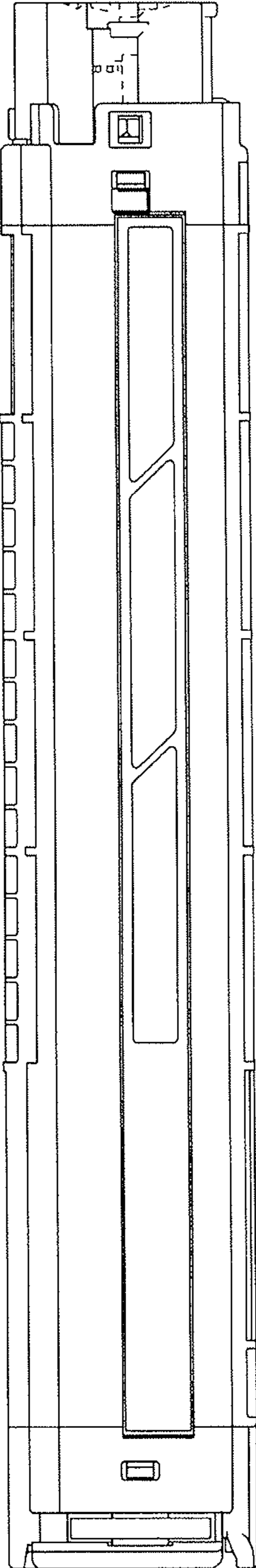


FIG. 5

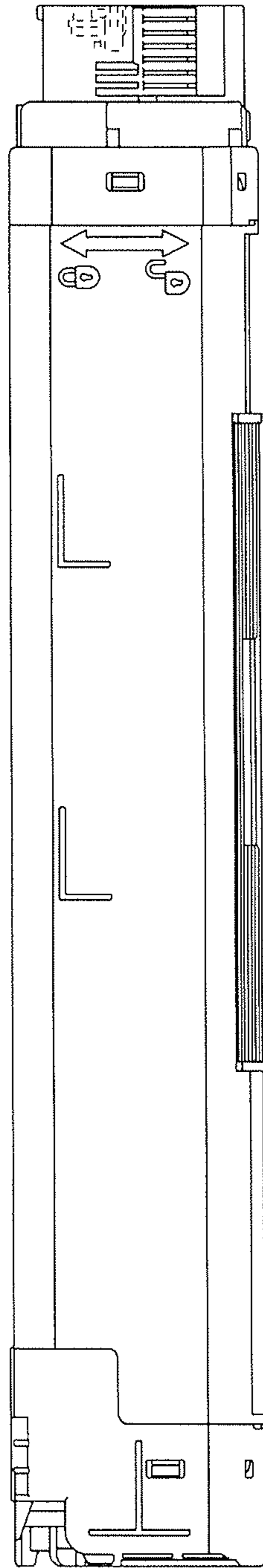


FIG. 6

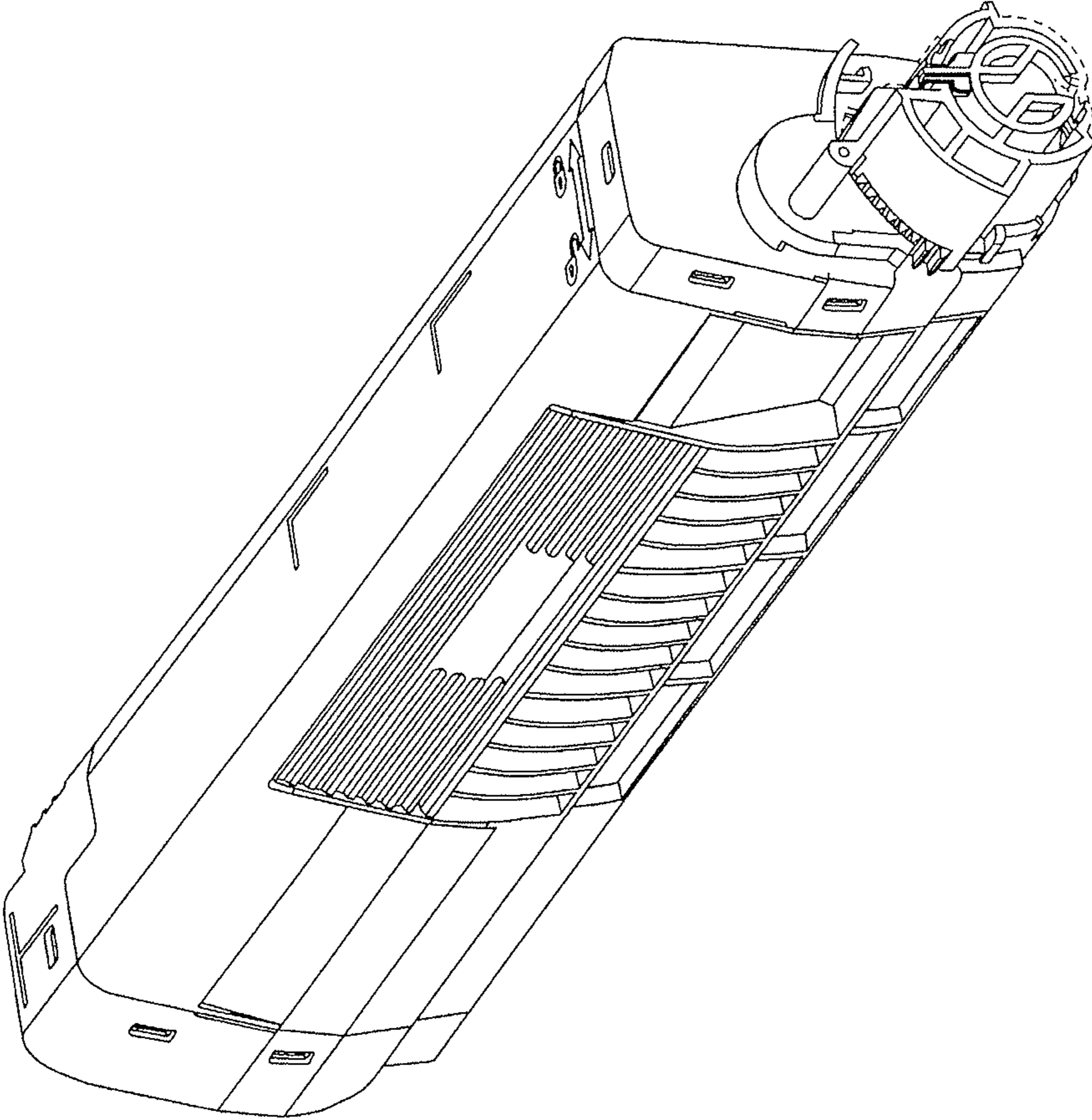


FIG. 7

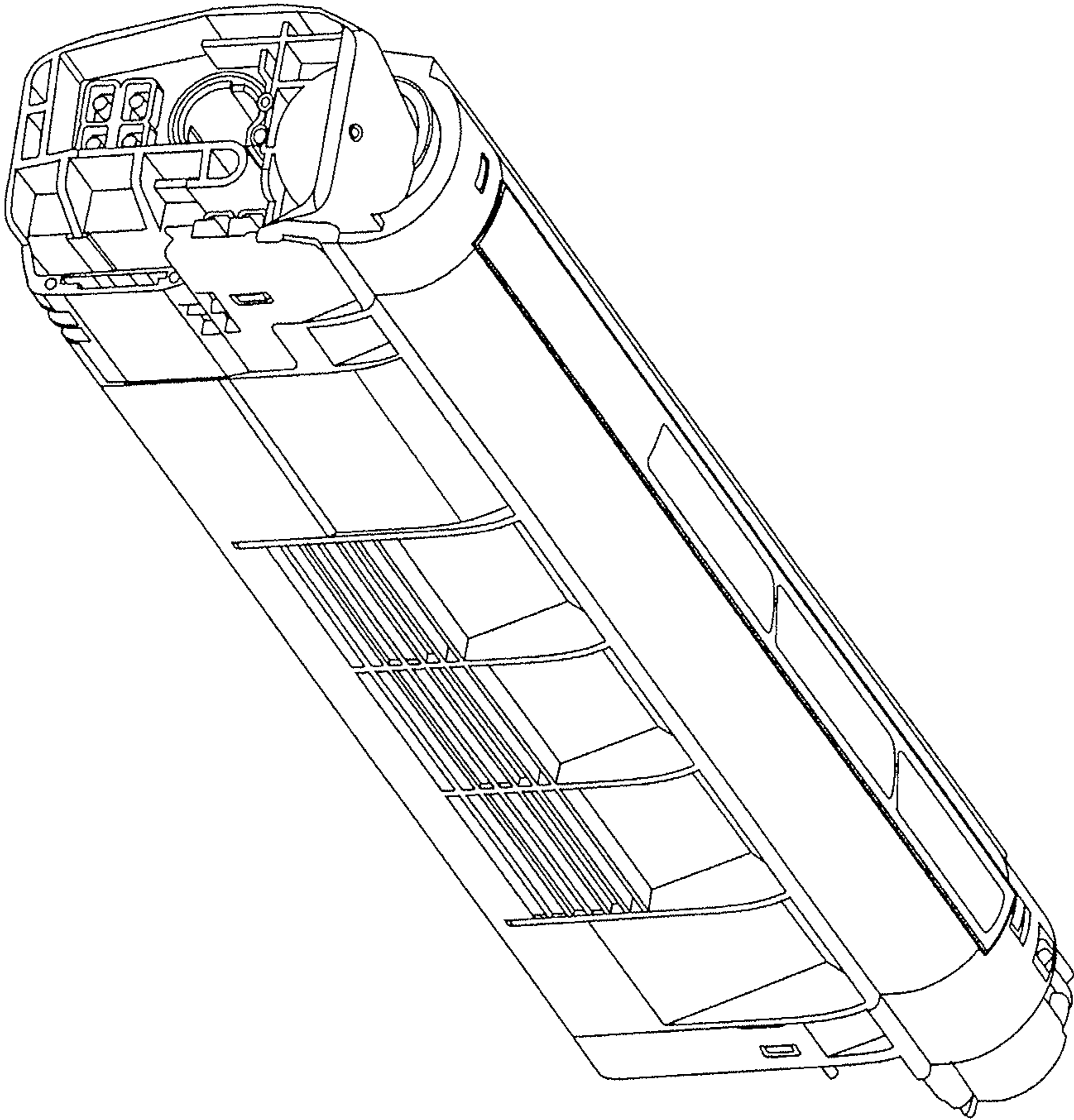


FIG. 8