



US00D749165S

(12) **United States Design Patent**
Kida et al.

(10) **Patent No.:** **US D749,165 S**

(45) **Date of Patent:** **** Feb. 9, 2016**

- (54) **NUMBERING MECHANISM**
- (71) Applicant: **SHACHIHATA INC.**, Nagoya-shi, Aichi (JP)
- (72) Inventors: **Masaki Kida**, Tokyo (JP); **Motohide Imaizumi**, Tokyo (JP)
- (73) Assignee: **SHACHIHATA INC.**, Aichi (JP)

6,067,905 A *	5/2000	Faber	B41K 1/40 101/104
D516,117 S *	2/2006	Shih	D18/15
D518,087 S *	3/2006	Shih	D18/15
D542,835 S *	5/2007	Faber	D18/15
D587,746 S *	3/2009	Russo	D18/15
D588,187 S *	3/2009	Shih	D18/15
D618,274 S *	6/2010	Faber	D18/15
D620,972 S *	8/2010	Kida	D18/15
8,402,890 B2 *	3/2013	Faber	B41K 1/40 101/104

(**) Term: **14 Years**

(21) Appl. No.: **29/506,227**

(22) Filed: **Oct. 14, 2014**

(30) **Foreign Application Priority Data**

Apr. 15, 2014 (JP) 2014-008216

(51) **LOC (10) Cl.** **19-02**

(52) **U.S. Cl.**
USPC **D18/15**

(58) **Field of Classification Search**
USPC D18/15, 16, 17, 18, 50; D19/65-68, 70, D19/71; 101/104, 333, 334, 327, 328, 405, 101/406; 108/264, 268
CPC B41K 1/00; B41K 1/006; B41K 1/02; B41K 1/08; B41K 1/40; B41K 1/42; B41K 1/52; B41K 1/54; B41K 1/56; B41K 1/10; B41K 1/12; B41K 1/14; B41K 1/16
See application file for complete search history.

(56) **References Cited**

U.S. PATENT DOCUMENTS

454,499 A *	6/1891	Ryer	B41K 1/40 101/334
D240,966 S *	8/1976	Funahashi	D18/15
D275,687 S *	9/1984	Funahashi	D18/15

FOREIGN PATENT DOCUMENTS

CN	301153224	*	3/2010
CN	300686702.0000	*	3/2013
GB	1011821	*	9/1983
JP	0604179 S		4/1983
JP	0684421 S		8/1986

* cited by examiner

Primary Examiner — Bridget L Eland

Assistant Examiner — Lauren McVey

(74) *Attorney, Agent, or Firm* — Westerman, Hattori, Daniels & Adrian, LLP

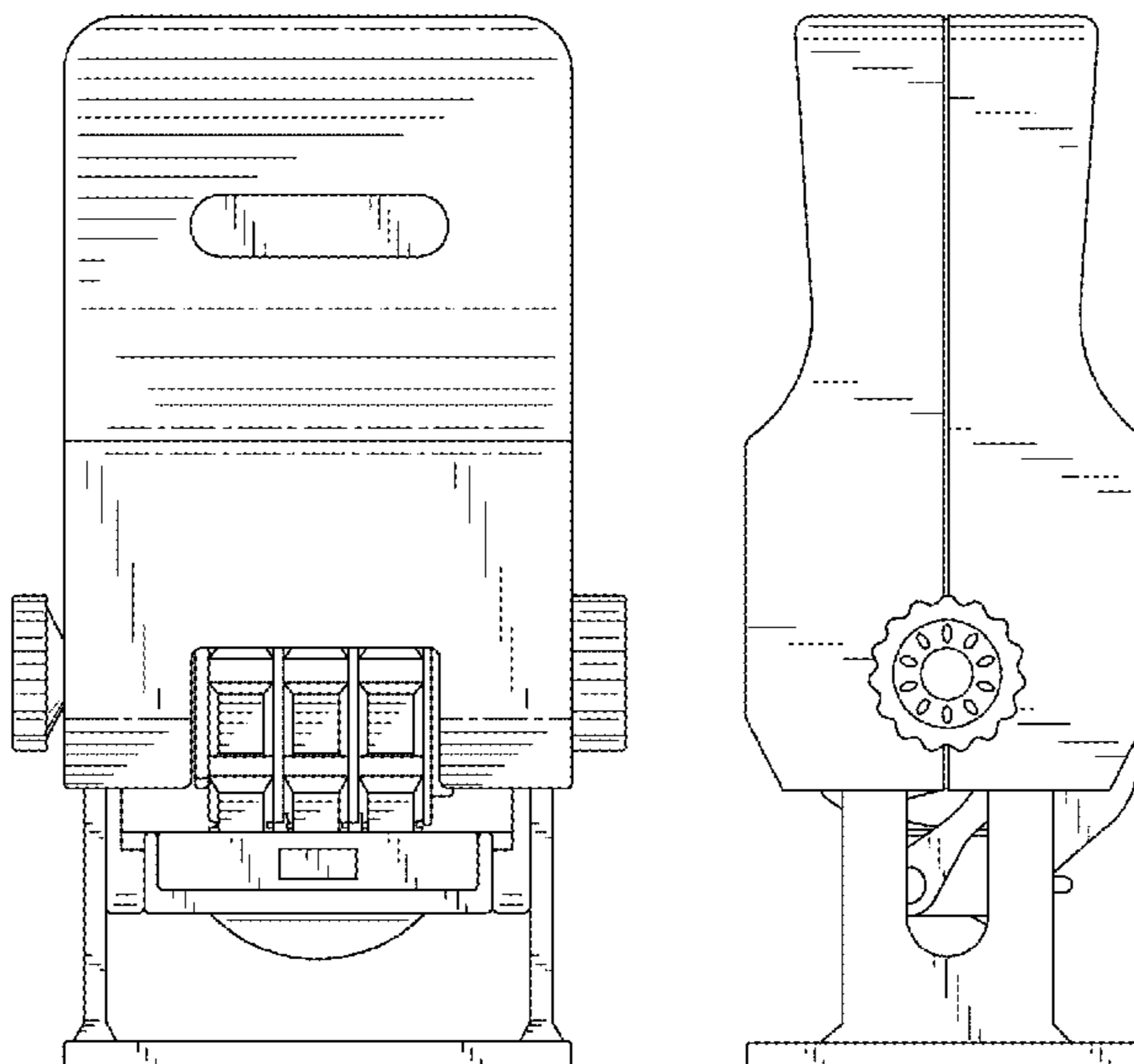
(57) **CLAIM**

The ornamental design for a numbering mechanism, as shown and described.

DESCRIPTION

FIG. 1 is a perspective view of the numbering mechanism, according to our new design;
FIG. 2 is a front elevation view of FIG. 1;
FIG. 3 is a rear elevation view of FIG. 1;
FIG. 4 is a left side elevation view of FIG. 1;
FIG. 5 is a right side elevation view of FIG. 1;
FIG. 6 is a top plan view of FIG. 1; and,
FIG. 7 is a bottom plan view of FIG. 1.

1 Claim, 2 Drawing Sheets



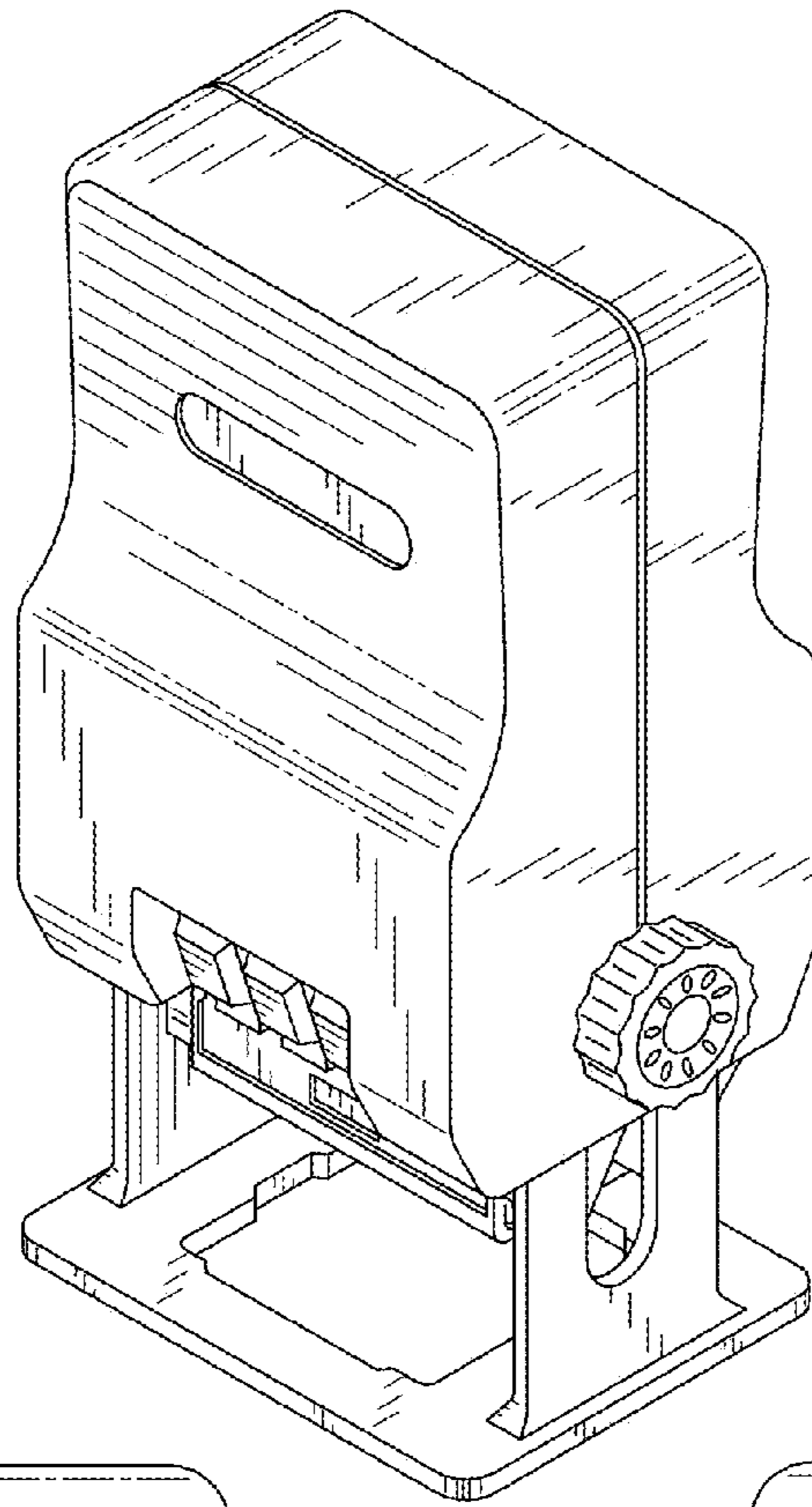


FIG. 1

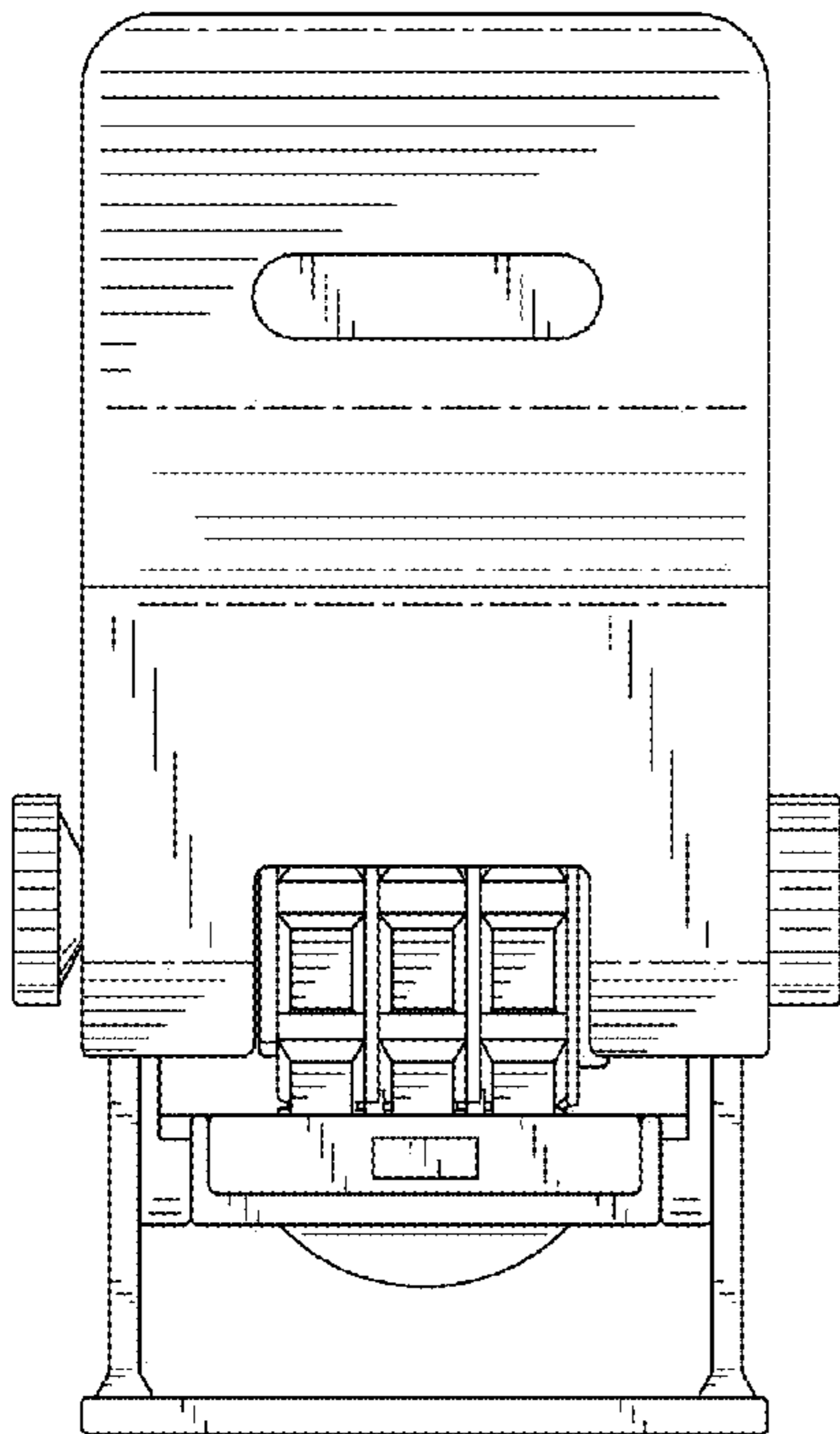


FIG. 2

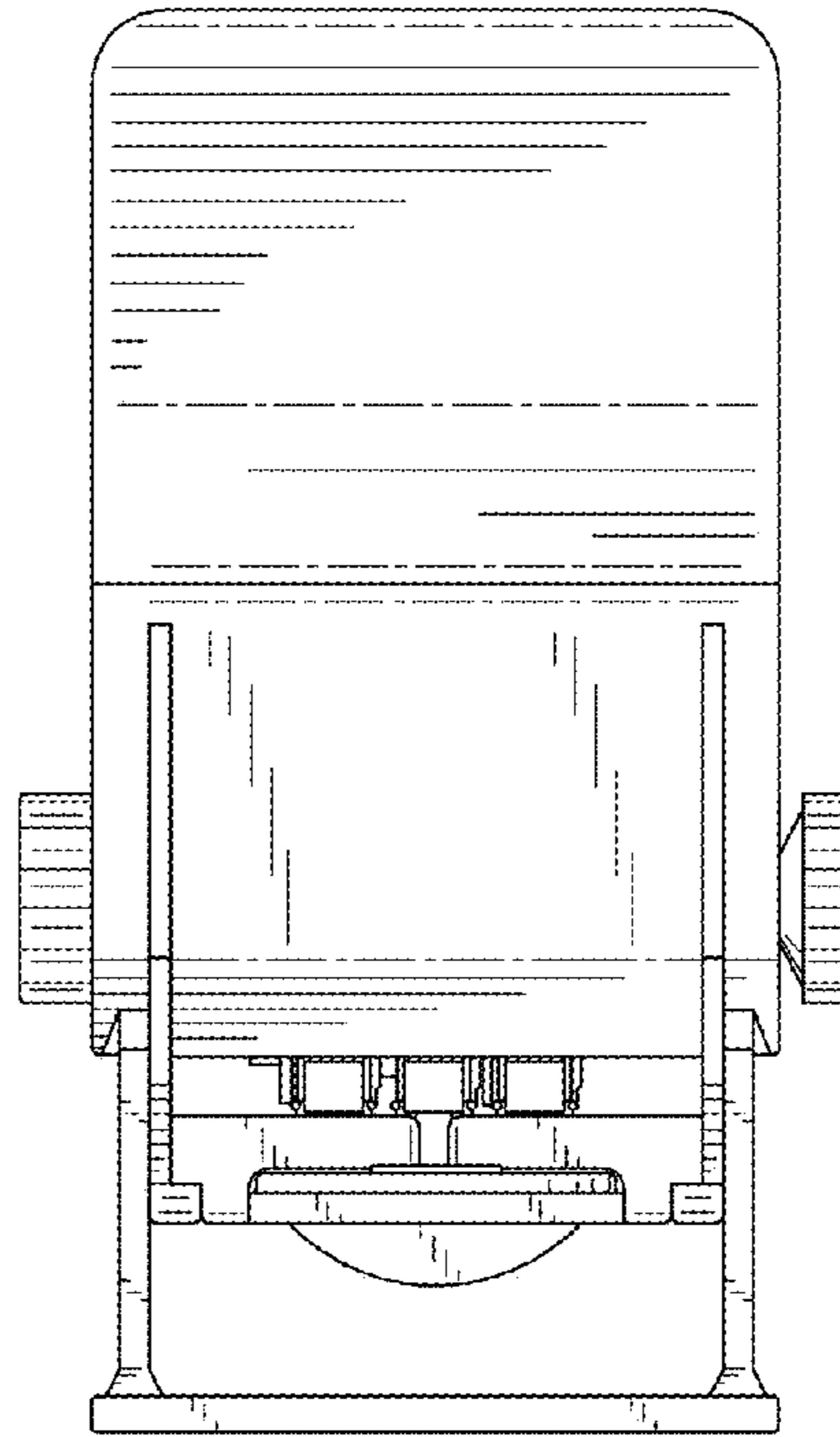


FIG. 3

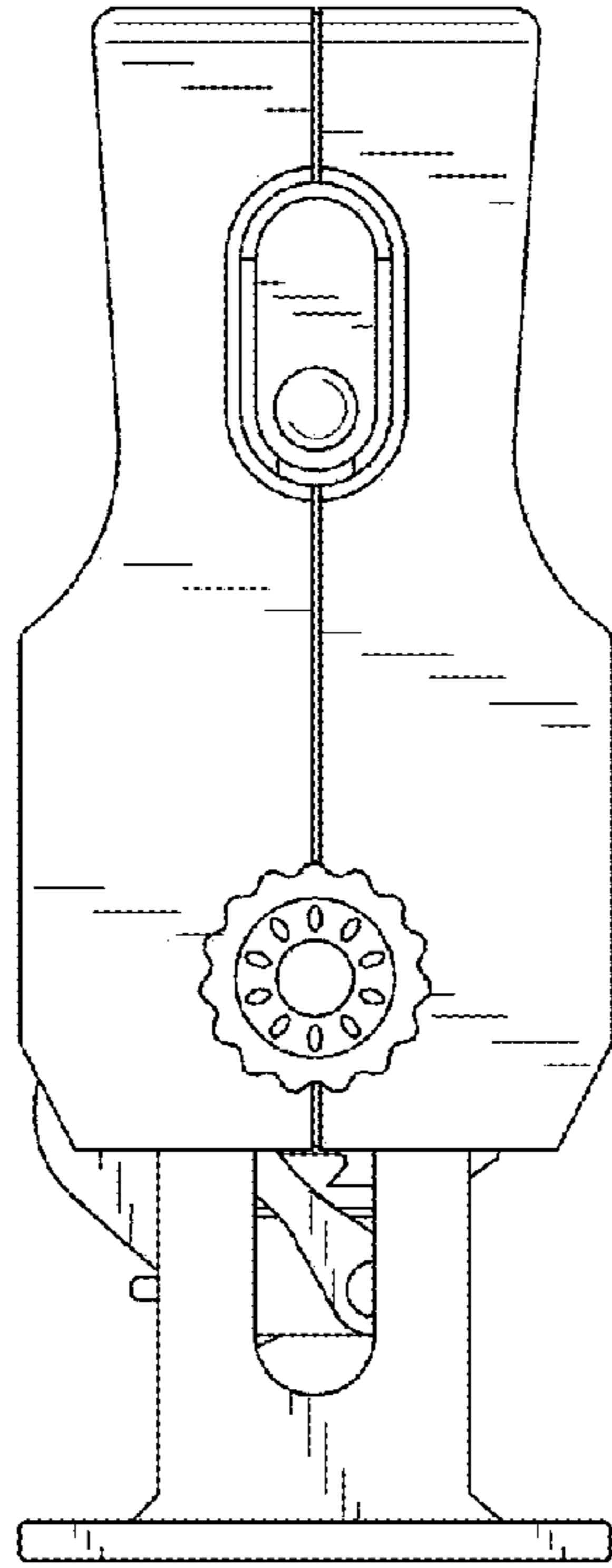


FIG. 4

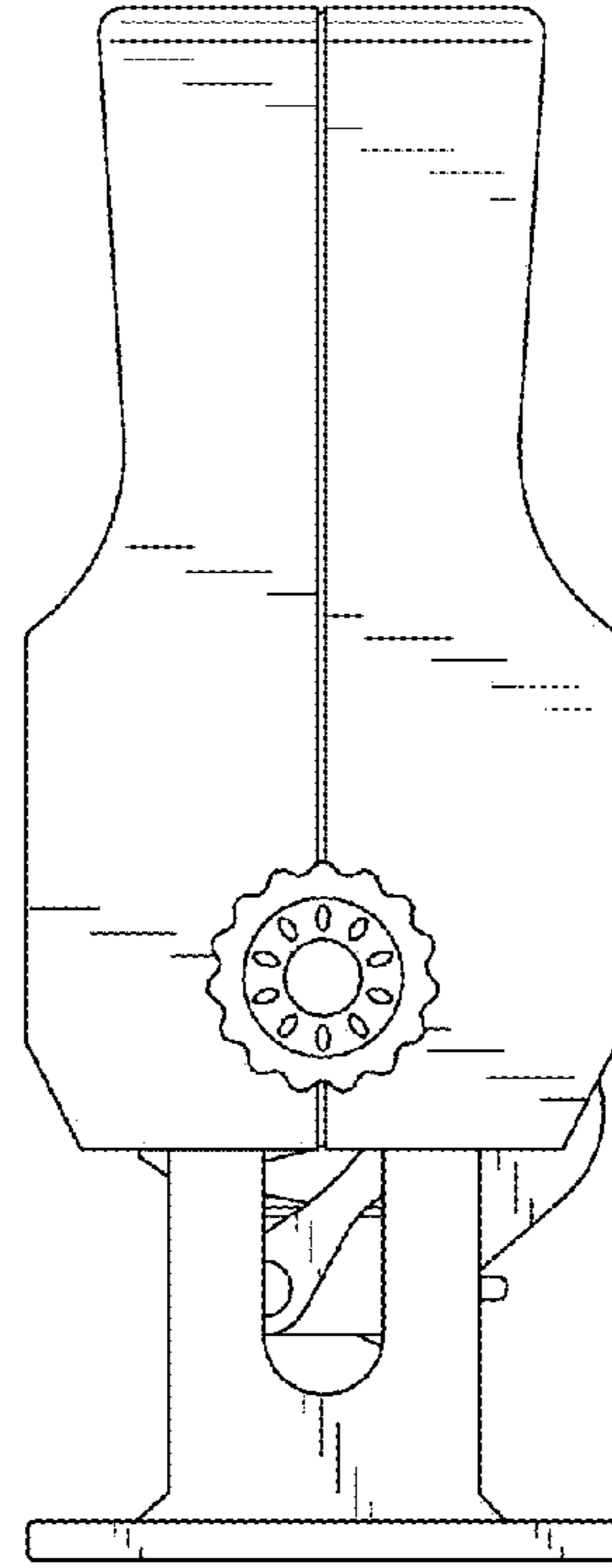


FIG. 5

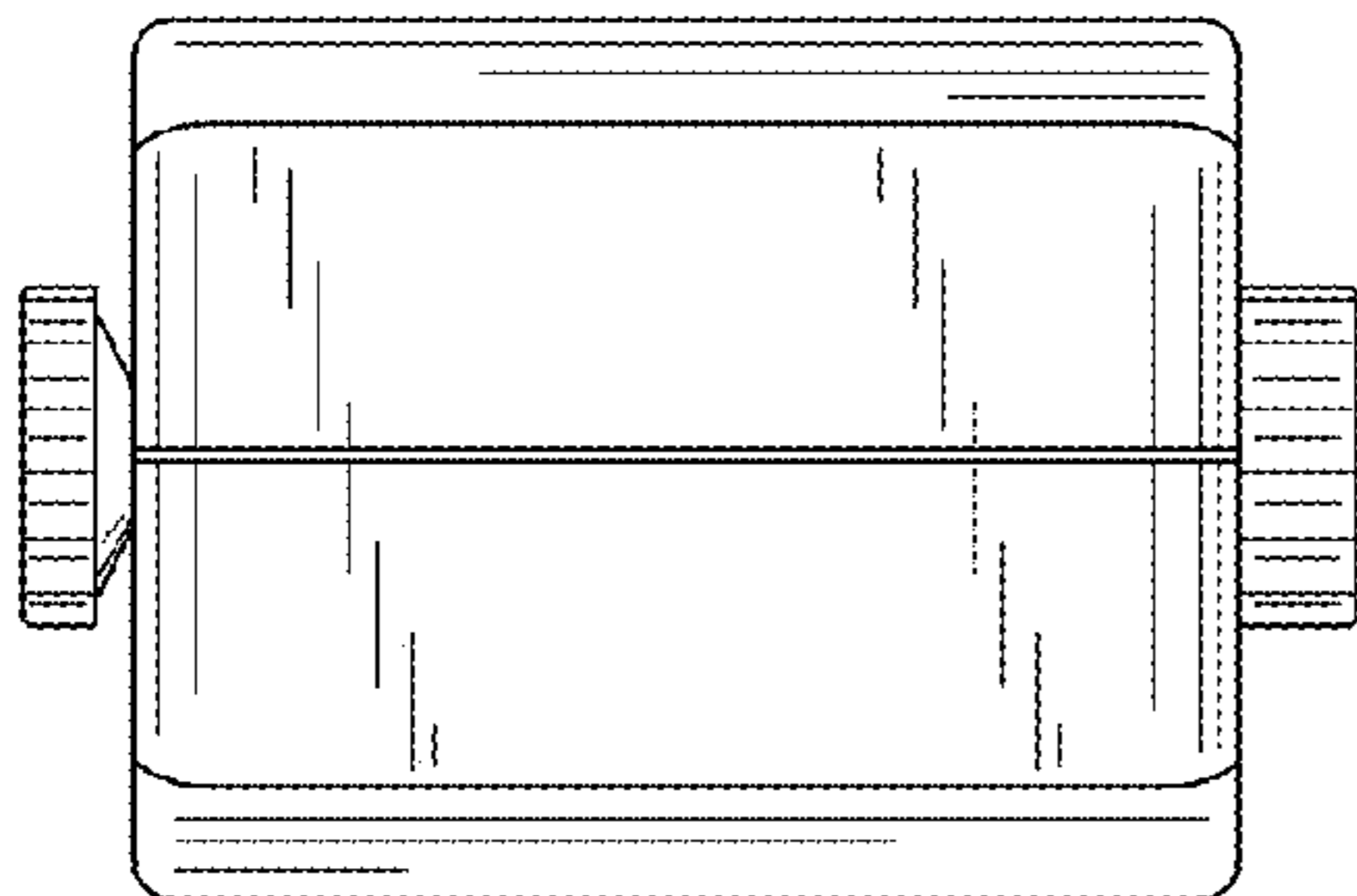


FIG. 6

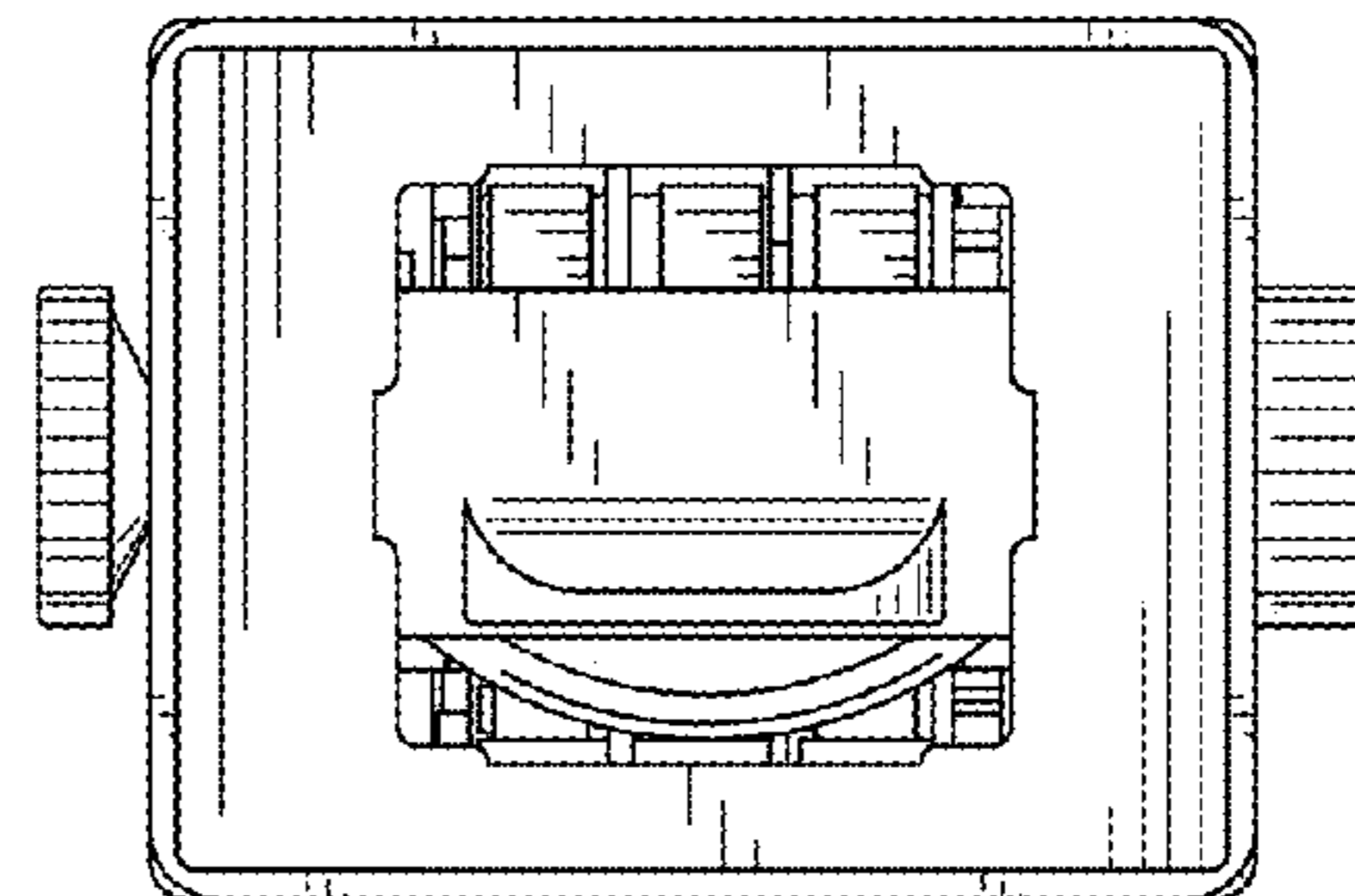


FIG. 7