



US00D749164S

(12) **United States Design Patent**
Raccah et al.

(10) **Patent No.:** **US D749,164 S**
(45) **Date of Patent:** **** Feb. 9, 2016**

(54) **CAMERA MOUNT**

2008/0023607 A1* 1/2008 Barker 248/288.51
2014/0270747 A1* 9/2014 Maltese et al. 396/428
2015/0108777 A1* 4/2015 Anari et al. 294/139

(71) Applicant: **Midland Radio Corporation**, Kansas
City, MO (US)

FOREIGN PATENT DOCUMENTS

(72) Inventors: **Guido Izhak Raccah**, Hong Kong (HK);
Daniel M. Devling, Liberty, MO (US);
Paolo Torreggiani, Mancasale (IT)

KR 300604764.0000 * 7/2011

OTHER PUBLICATIONS

(73) Assignee: **MIDLAND RADIO CORPORATION**,
Kansas City, MO (US)

<http://www.wizmount.com/products/cu2rack/> Available Jul. 15,
2013.*

(**) Term: **14 Years**

* cited by examiner

(21) Appl. No.: **29/509,987**

Primary Examiner — Susan Bennett Hattan

(22) Filed: **Nov. 24, 2014**

Assistant Examiner — Leanne Was

(51) **LOC (10) CL.** **16-05**

(74) *Attorney, Agent, or Firm* — Lathrop & Gage LLP

(52) **U.S. CL.**

(57) **CLAIM**

USPC **D16/242**

The ornamental design for a camera mount, as shown.

(58) **Field of Classification Search**

DESCRIPTION

USPC D8/349, 367, 382, 387; D16/237, 242,
D16/244, 245; 248/187.1; 352/243;
396/419, 420, 421, 422

FIG. 1 is a top perspective view of a camera mount showing
the new design.

See application file for complete search history.

FIG. 2 is a bottom perspective view of the camera mount of
FIG. 1.

(56) **References Cited**

U.S. PATENT DOCUMENTS

7,185,862 B1* 3/2007 Yang 248/187.1
7,654,755 B2* 2/2010 Orf et al. 396/421
D638,695 S * 5/2011 Woodrow et al. D8/382
D659,177 S * 5/2012 Chan D16/242
D704,245 S * 5/2014 Kim et al. D16/237

FIG. 3 is a side elevation view of the camera mount of FIG. 1.
FIG. 4 is another side elevation view of the camera mount of
FIG. 1.

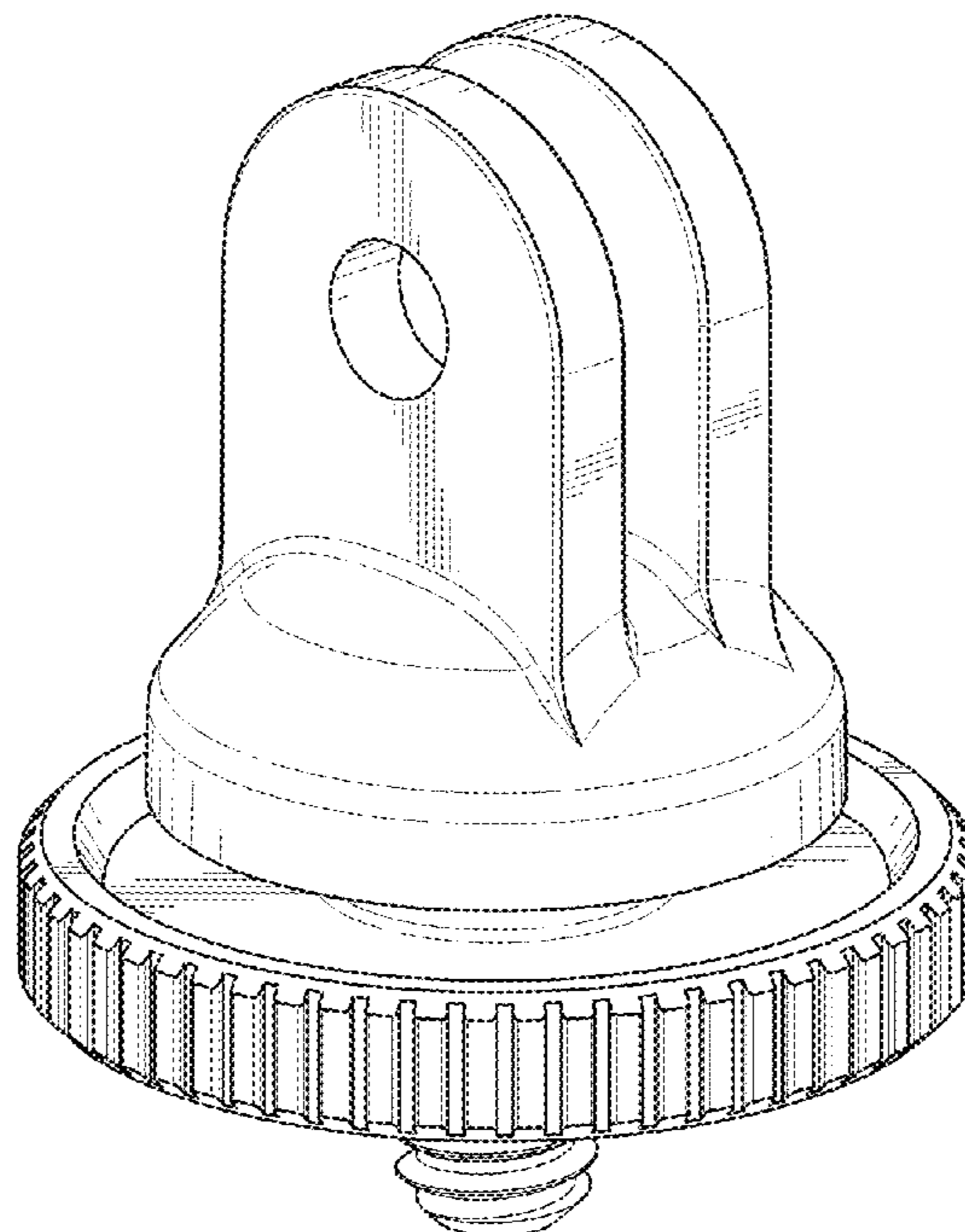
FIG. 5 is a front elevation view of the camera mount of FIG.
1.

FIG. 6 is a rear elevation view of the camera mount of FIG. 1.

FIG. 7 is a top view of the camera mount of FIG. 1; and,

FIG. 8 is a bottom view of the camera mount of FIG. 1.

1 Claim, 8 Drawing Sheets



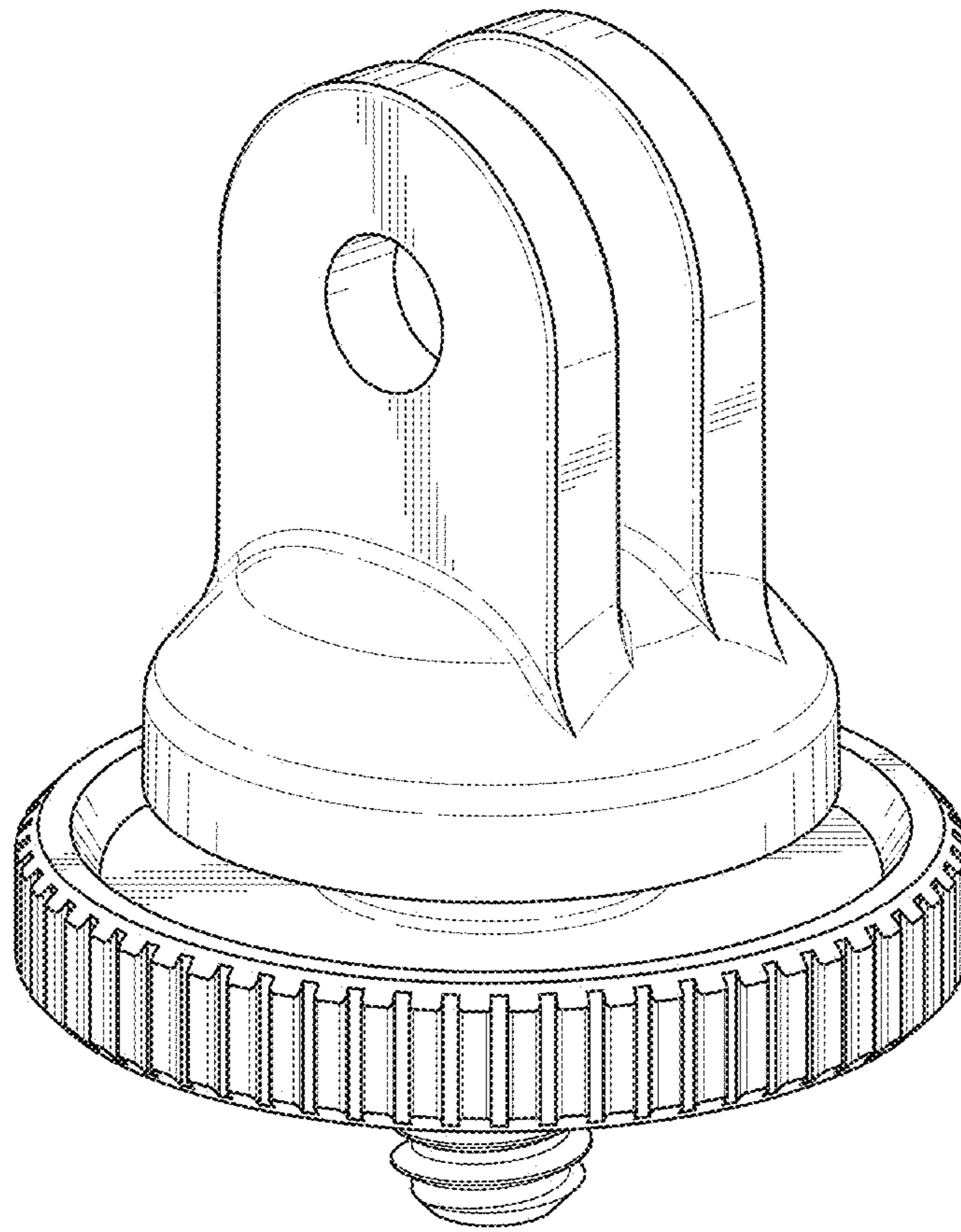


FIG. 1

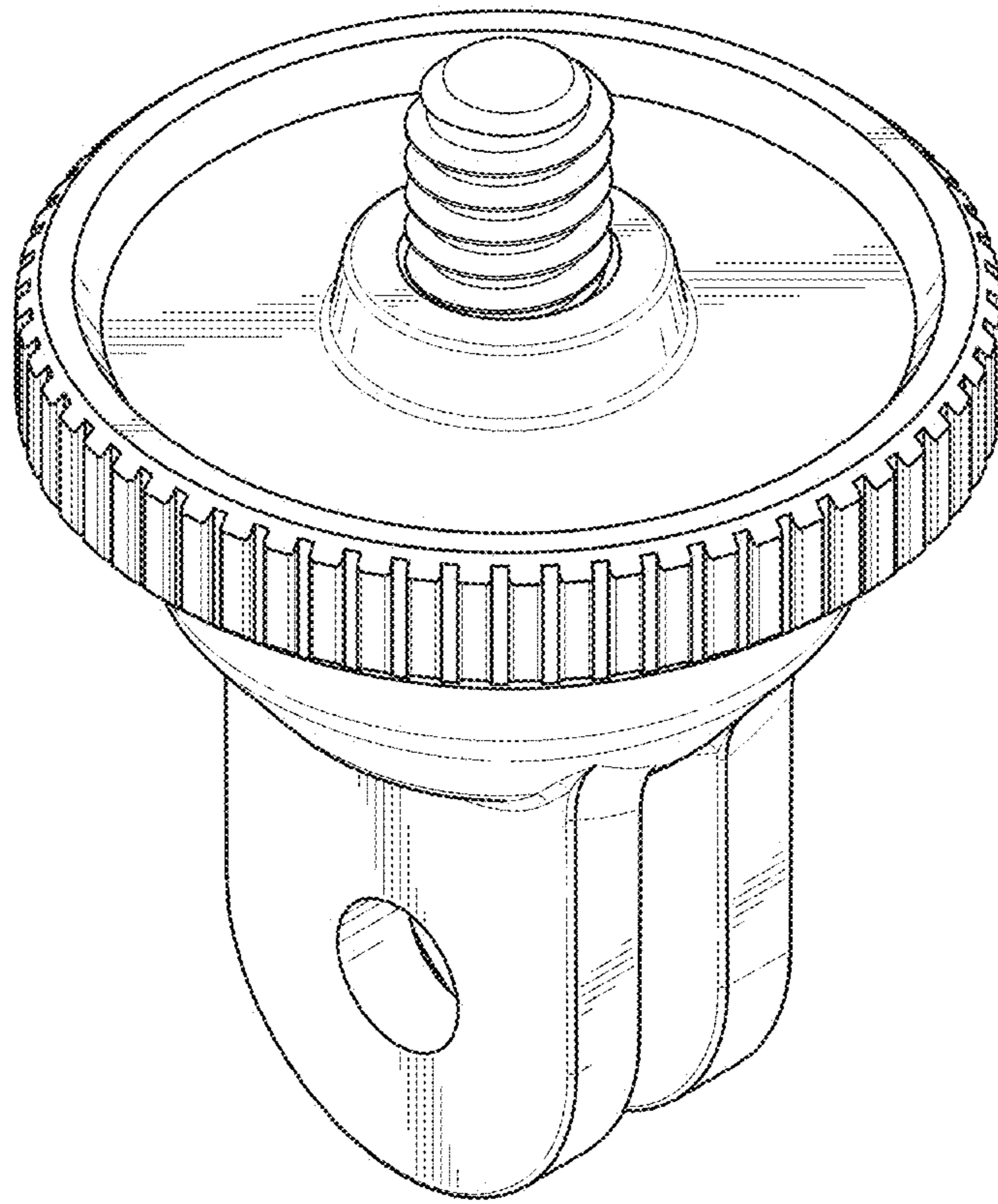


FIG. 2

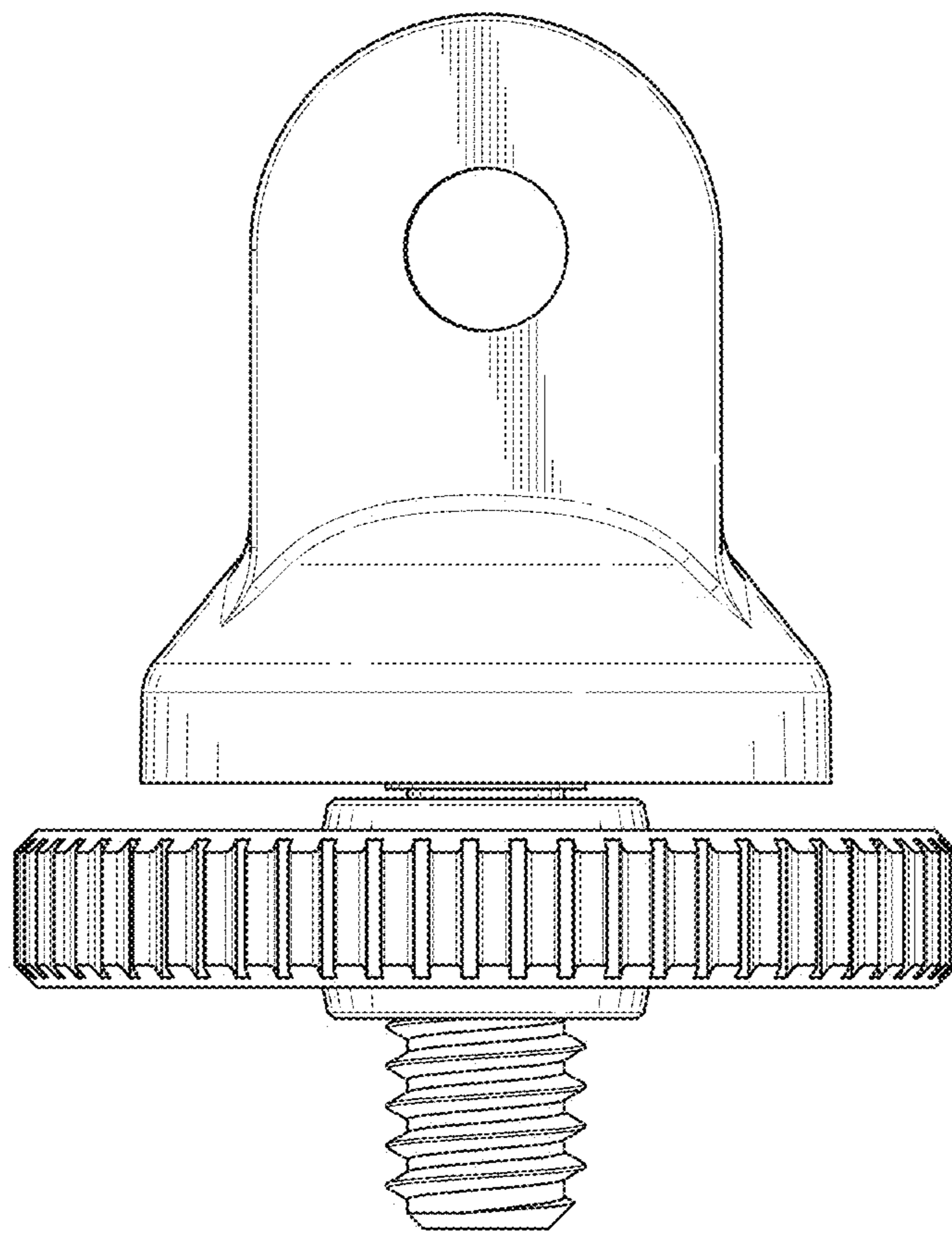


FIG. 3

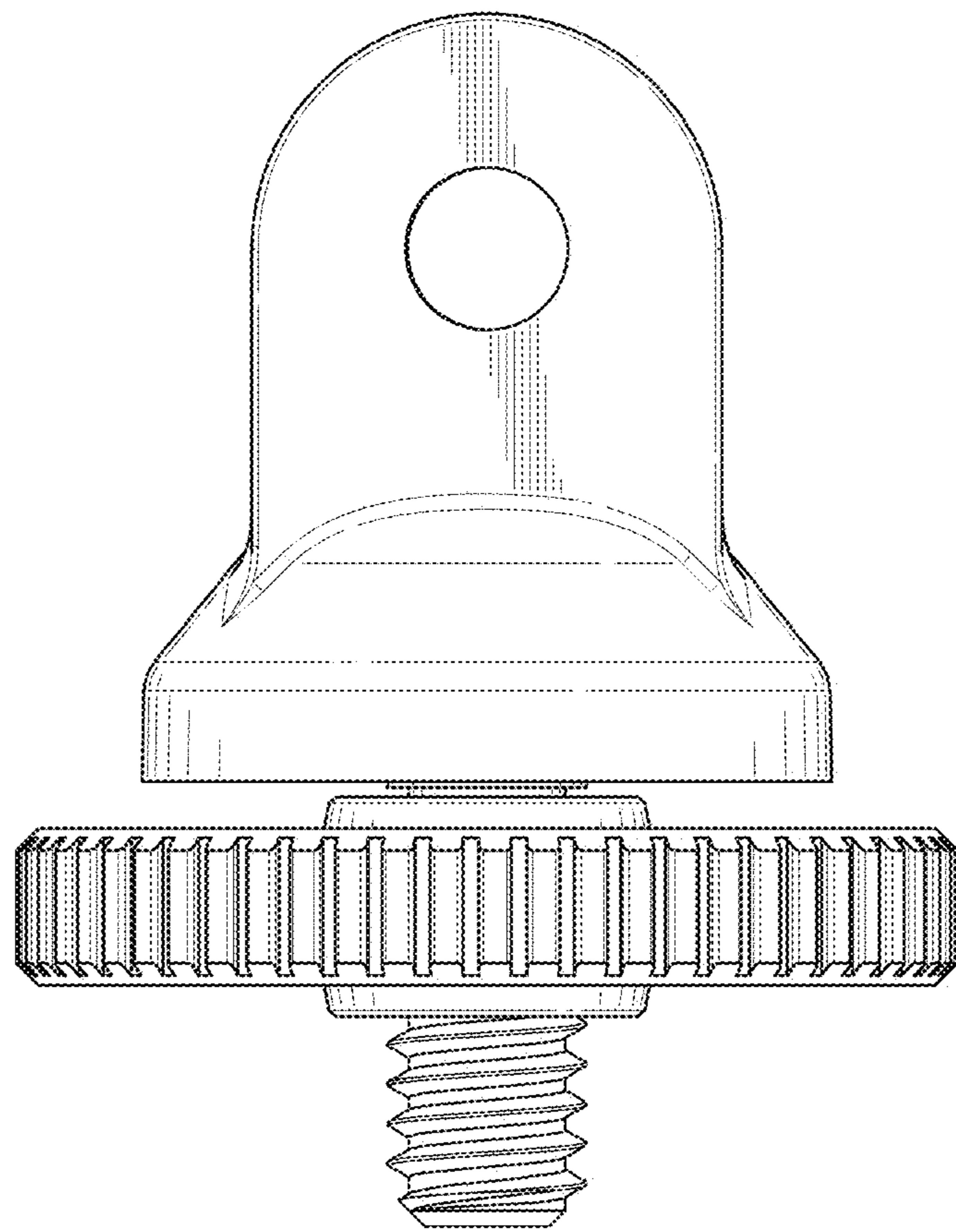


FIG. 4

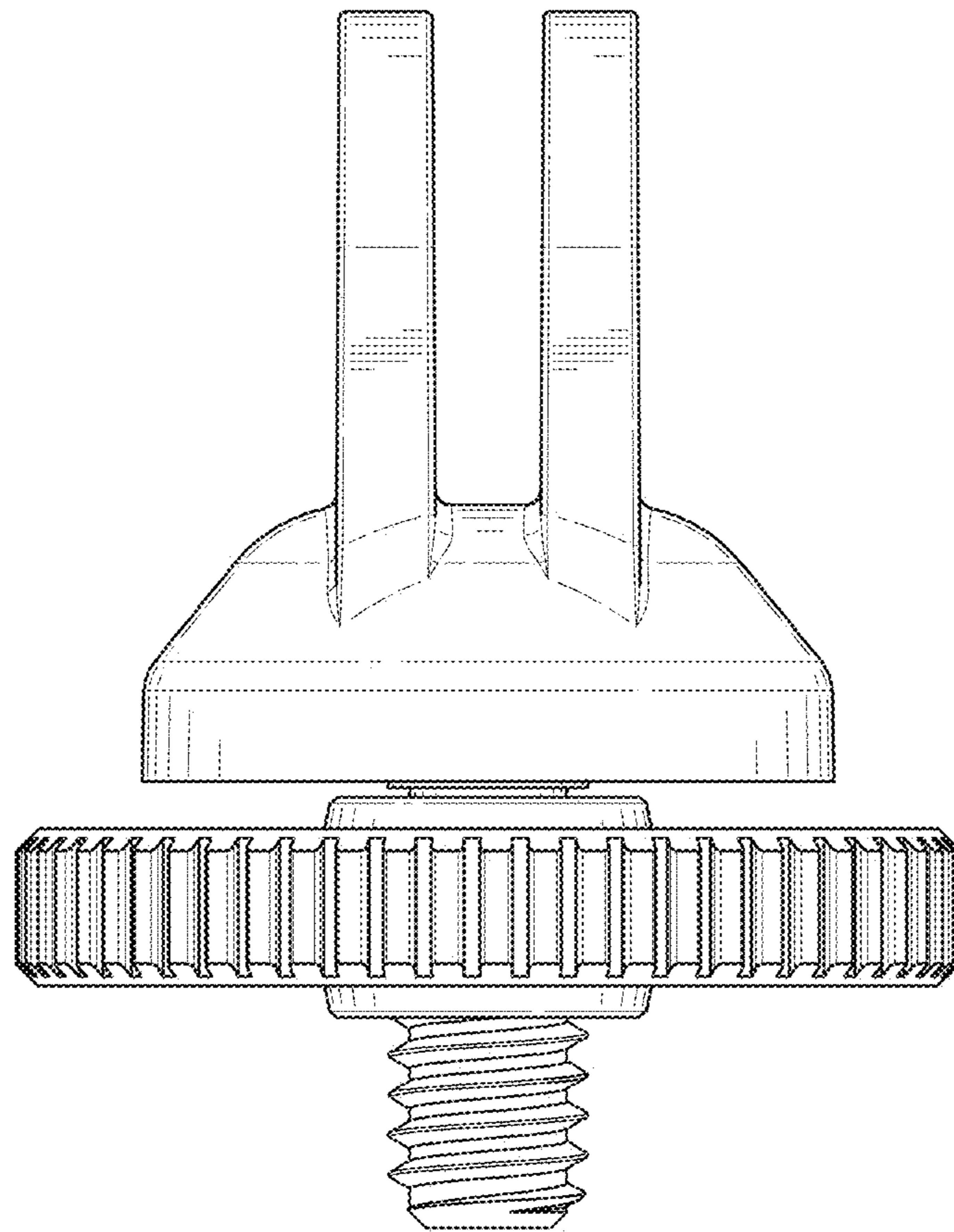


FIG. 5

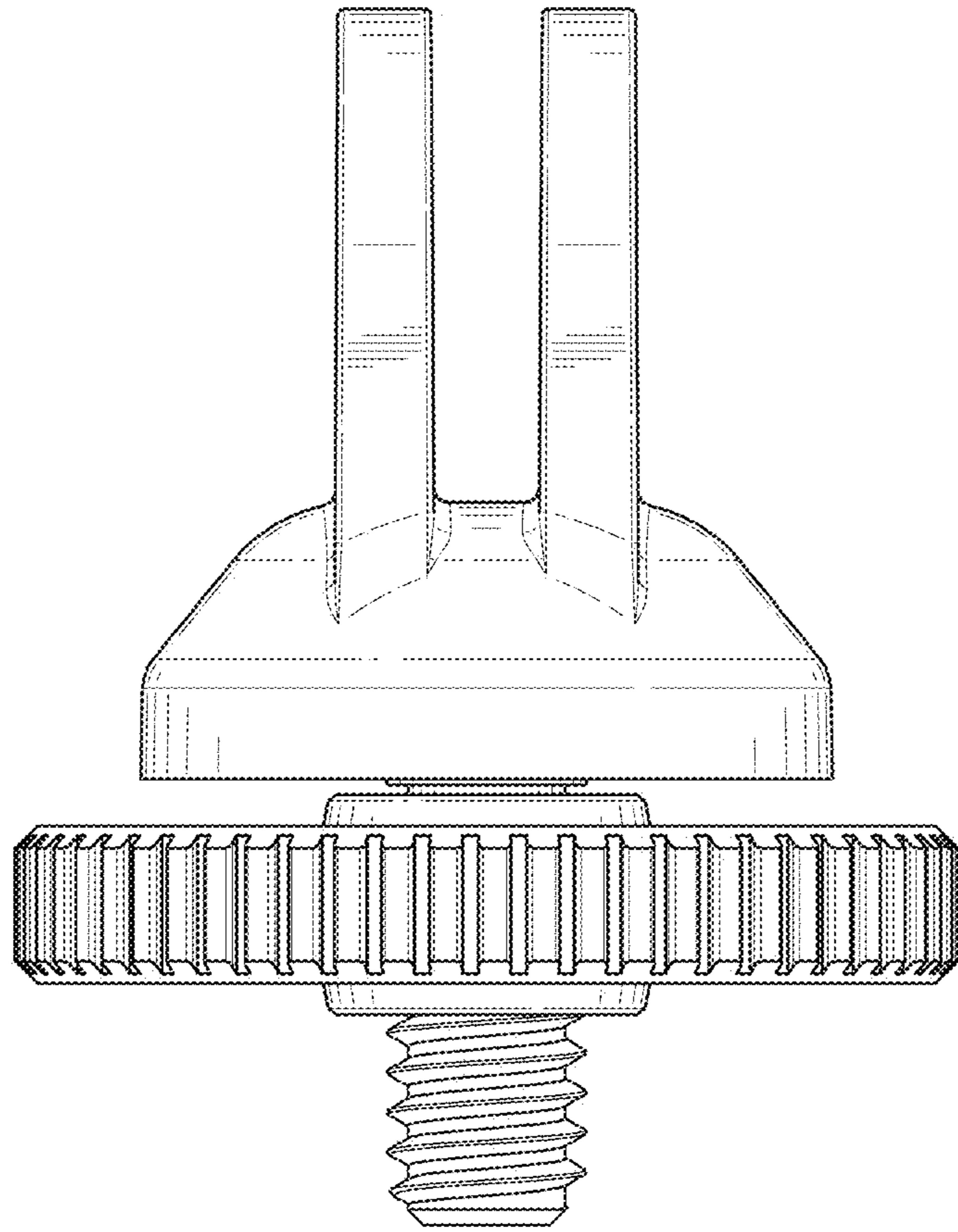


FIG. 6

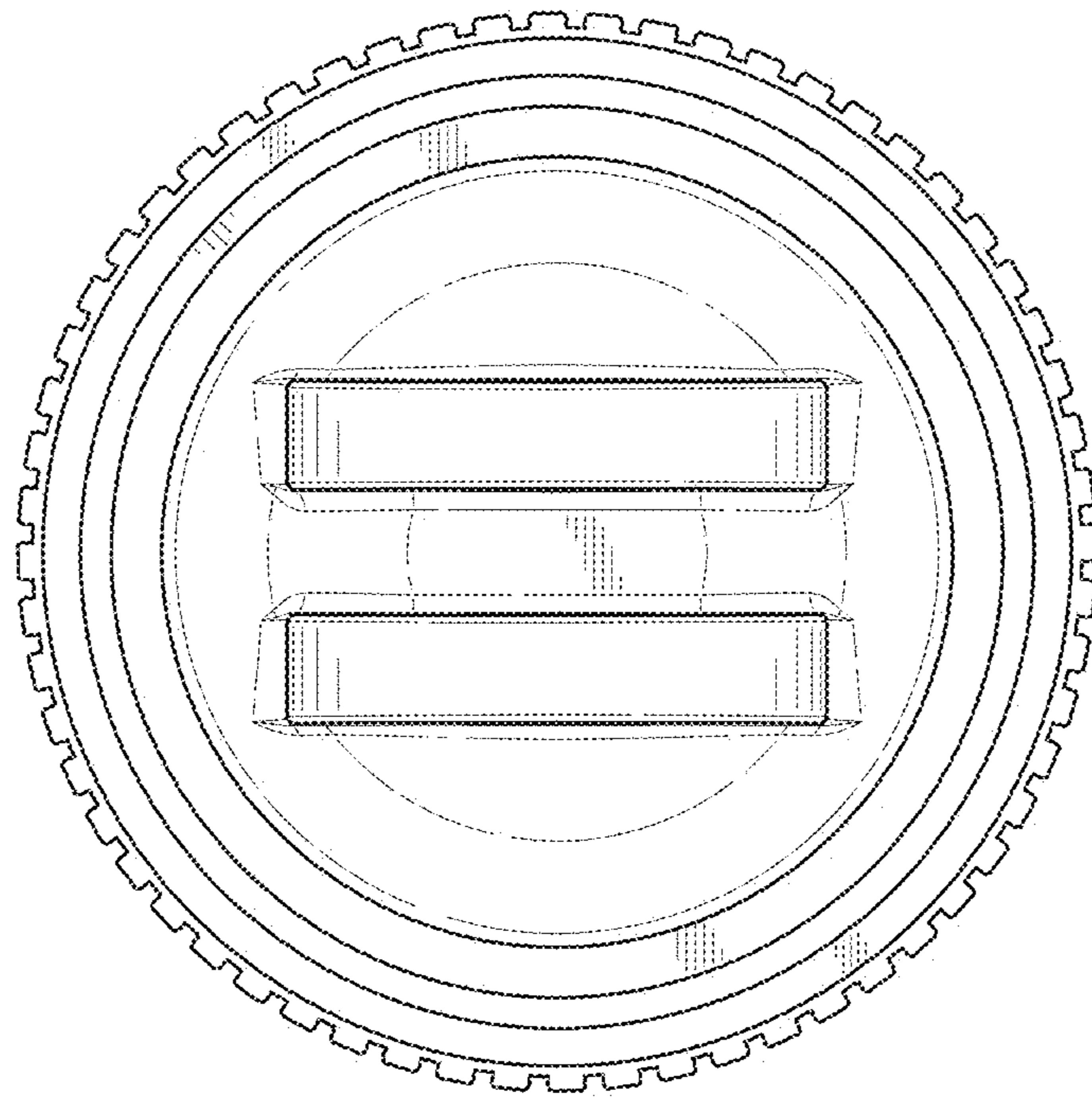


FIG. 7

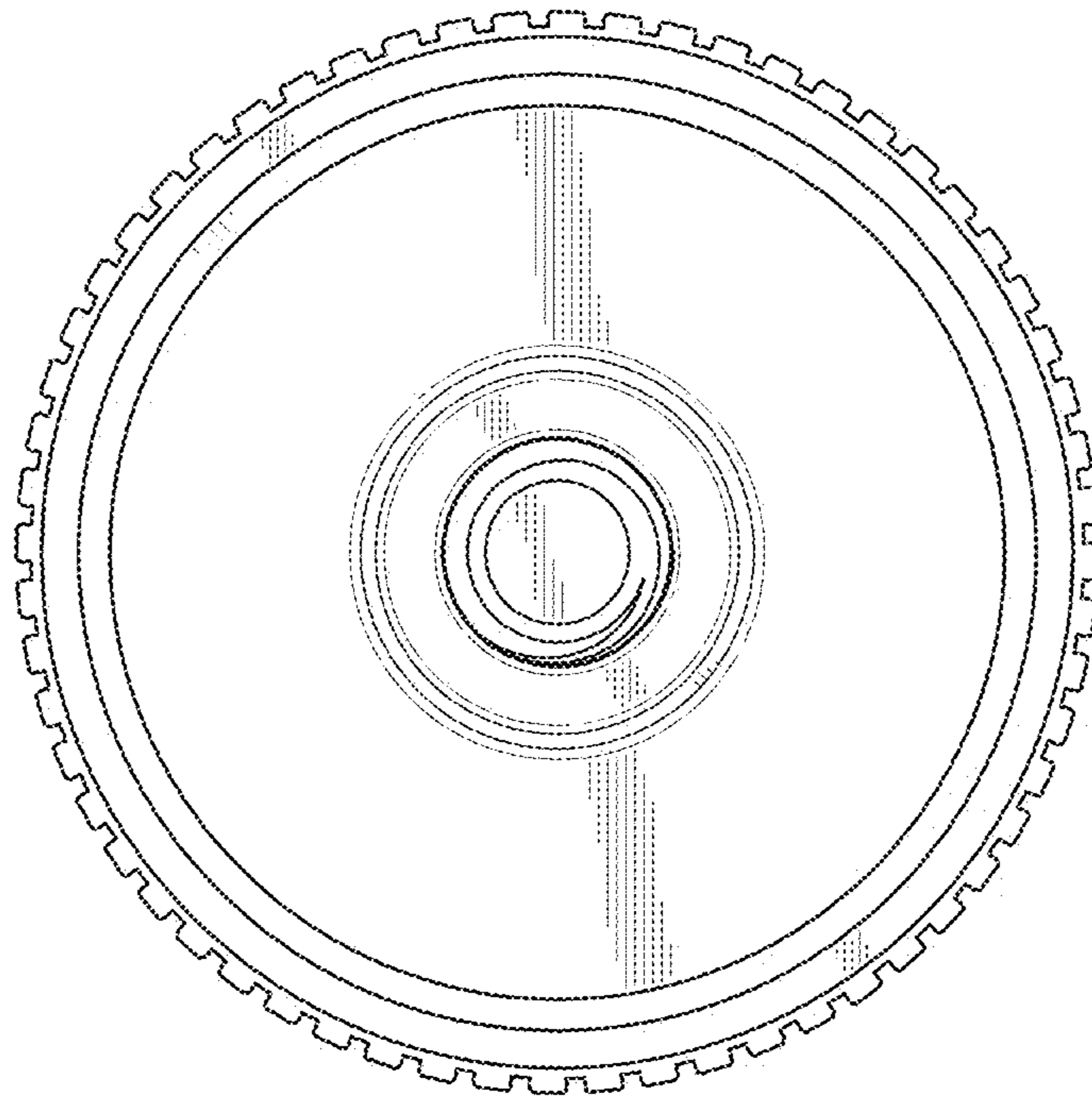


FIG. 8