



US00D749163S

(12) **United States Design Patent**  
**Hibi et al.**

(10) **Patent No.:** **US D749,163 S**

(45) **Date of Patent:** **\*\* Feb. 9, 2016**

(54) **CAMERA**

(71) Applicant: **Sony Corporation**, Tokyo (JP)

(72) Inventors: **Keita Hibi**, Tokyo (JP); **Noriaki Takagi**, Kanagawa (JP)

(73) Assignee: **Sony Corporation**, Tokyo (JP)

(\*\*) Term: **14 Years**

(21) Appl. No.: **29/482,643**

(22) Filed: **Feb. 20, 2014**

**Related U.S. Application Data**

(63) Continuation of application No. 29/371,747, filed on Aug. 23, 2011, now Pat. No. Des. 701,552, which is a continuation-in-part of application No. 29/371,149, filed on Oct. 29, 2010, now Pat. No. Des. 648,363.

(30) **Foreign Application Priority Data**

Apr. 9, 2010	(JP)	.....	D2010-009129
Apr. 9, 2010	(JP)	.....	D2010-009130
Apr. 9, 2010	(JP)	.....	D2010-009131
Apr. 9, 2010	(JP)	.....	D2010-009132
May 10, 2010	(JP)	.....	D2010-011351
May 10, 2010	(JP)	.....	D2010-011353
May 10, 2010	(JP)	.....	D2010-011354
May 10, 2010	(JP)	.....	D2010-011359
May 10, 2010	(JP)	.....	D2010-011360
May 10, 2010	(JP)	.....	D2010-011363
May 10, 2010	(JP)	.....	D2010-011365
May 10, 2010	(JP)	.....	D2010-011366
May 10, 2010	(JP)	.....	D2010-011369
May 10, 2010	(JP)	.....	D2010-011370

(51) **LOC (10) Cl.** ..... **16-05**

(52) **U.S. Cl.**  
USPC ..... **D16/219**

(58) **Field of Classification Search**

USPC ..... D16/200, 202, 204, 208, 216, 217, 218,  
D16/219; 348/373-376; 396/535-541  
See application file for complete search history.

(56) **References Cited**

U.S. PATENT DOCUMENTS

D261,894	S	*	11/1981	Mielke	.....	D16/217
5,384,614	A		1/1995	Hasuda		
D388,109	S		12/1997	Kimura et al.		
6,089,761	A		7/2000	Sakurai		
D437,869	S	*	2/2001	Nakanishi et al.	.....	D16/219
D442,614	S		5/2001	Sumita		
D444,161	S		6/2001	Nakamura		
6,545,825	B2		4/2003	Shoji et al.		
D487,104	S		2/2004	Obata		
D528,579	S		9/2006	Yasutomi		

(Continued)

FOREIGN PATENT DOCUMENTS

JP	D1249235	8/2008
JP	D1249520	8/2008

(Continued)

*Primary Examiner* — Adir Aronovich

(74) *Attorney, Agent, or Firm* — Michael Best & Friedrich LLP

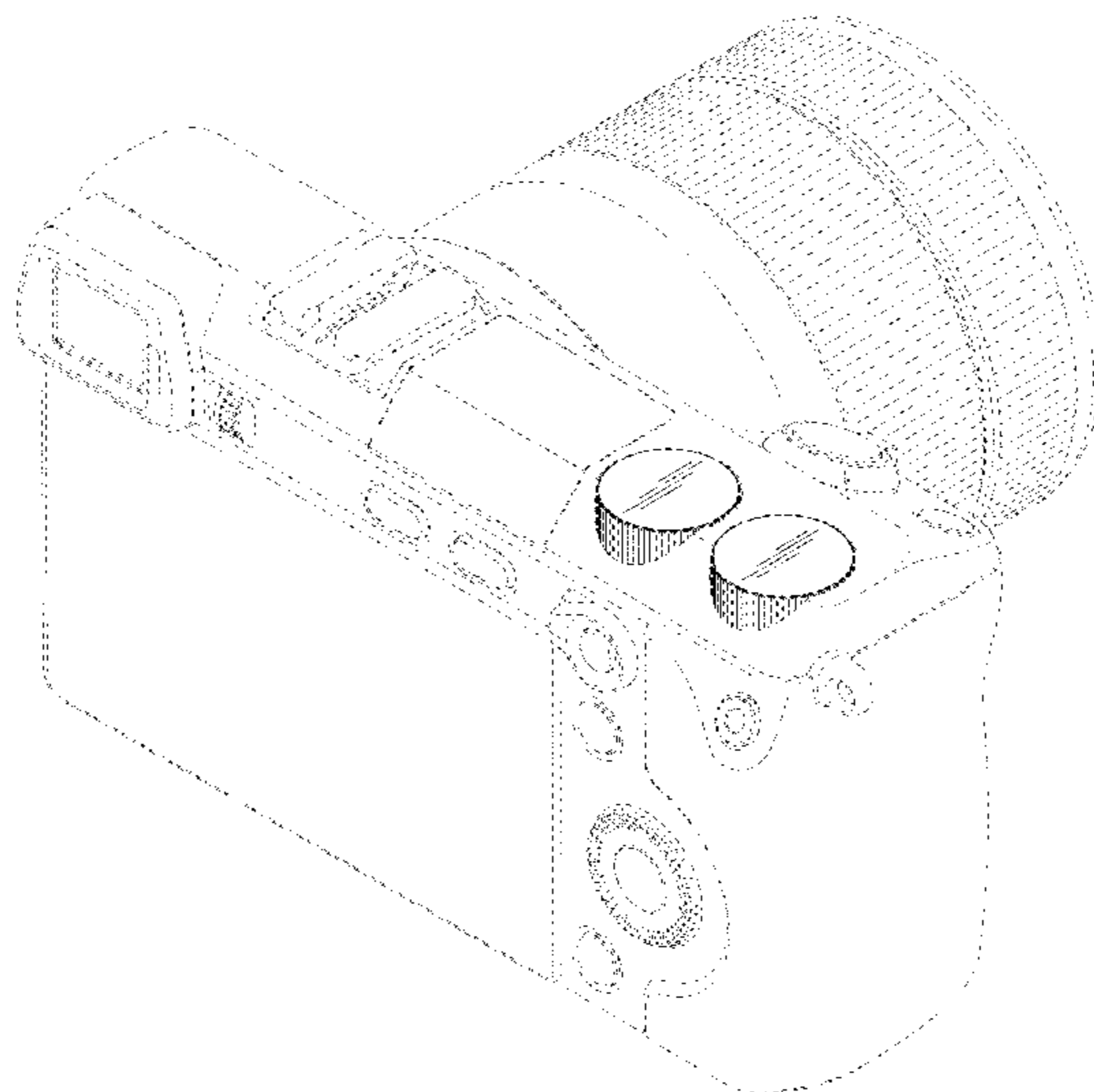
(57) **CLAIM**

The ornamental design for a camera, as shown and described.

**DESCRIPTION**

FIG. 1 is a front, top, right perspective view of a camera showing my new design;  
FIG. 2 is a rear, top, left perspective view thereof;  
FIG. 3 is a front elevational view thereof;  
FIG. 4 is a rear elevational view thereof;  
FIG. 5 is a left side elevational view thereof; and,  
FIG. 6 is a top plan view thereof.  
The broken lines illustrate unclaimed portions of the camera and form no part of the claimed design.

**1 Claim, 5 Drawing Sheets**



(56)

**References Cited**

U.S. PATENT DOCUMENTS

D538,324 S 3/2007 Masamitsu et al.  
 D542,323 S 5/2007 Takagi  
 D546,859 S 7/2007 Ishii  
 D546,863 S 7/2007 Ito et al.  
 D555,687 S \* 11/2007 Yoo et al. .... D16/202  
 D555,688 S \* 11/2007 Yoo et al. .... D16/202  
 D555,693 S 11/2007 Tokiwa et al.  
 D555,694 S \* 11/2007 Yoo et al. .... D16/219  
 D557,308 S \* 12/2007 Matsuda ..... D16/217  
 D562,374 S 2/2008 Miyashita  
 D566,149 S 4/2008 Sumita  
 D567,835 S 4/2008 Sumita  
 D577,757 S 9/2008 Sumita  
 D596,217 S \* 7/2009 Kim et al. .... D16/219  
 D597,579 S 8/2009 Obata  
 D600,235 S 9/2009 Wada

D600,265 S 9/2009 Miyashita  
 D600,734 S 9/2009 Yamagishi  
 D604,249 S 11/2009 Mancini  
 D604,349 S 11/2009 Miyashita  
 D605,679 S 12/2009 Hayashi  
 7,690,852 B2 4/2010 Kato et al.  
 D644,679 S 9/2011 Woodman  
 D648,363 S 11/2011 Takagi et al.  
 D669,930 S 10/2012 Koyama et al.  
 D695,802 S \* 12/2013 Kim et al. .... D16/200

FOREIGN PATENT DOCUMENTS

JP D1249522 8/2008  
 JP D1249523 8/2008  
 JP D1249524 8/2008  
 JP D1265541 2/2009  
 JP D1274348 5/2009

\* cited by examiner

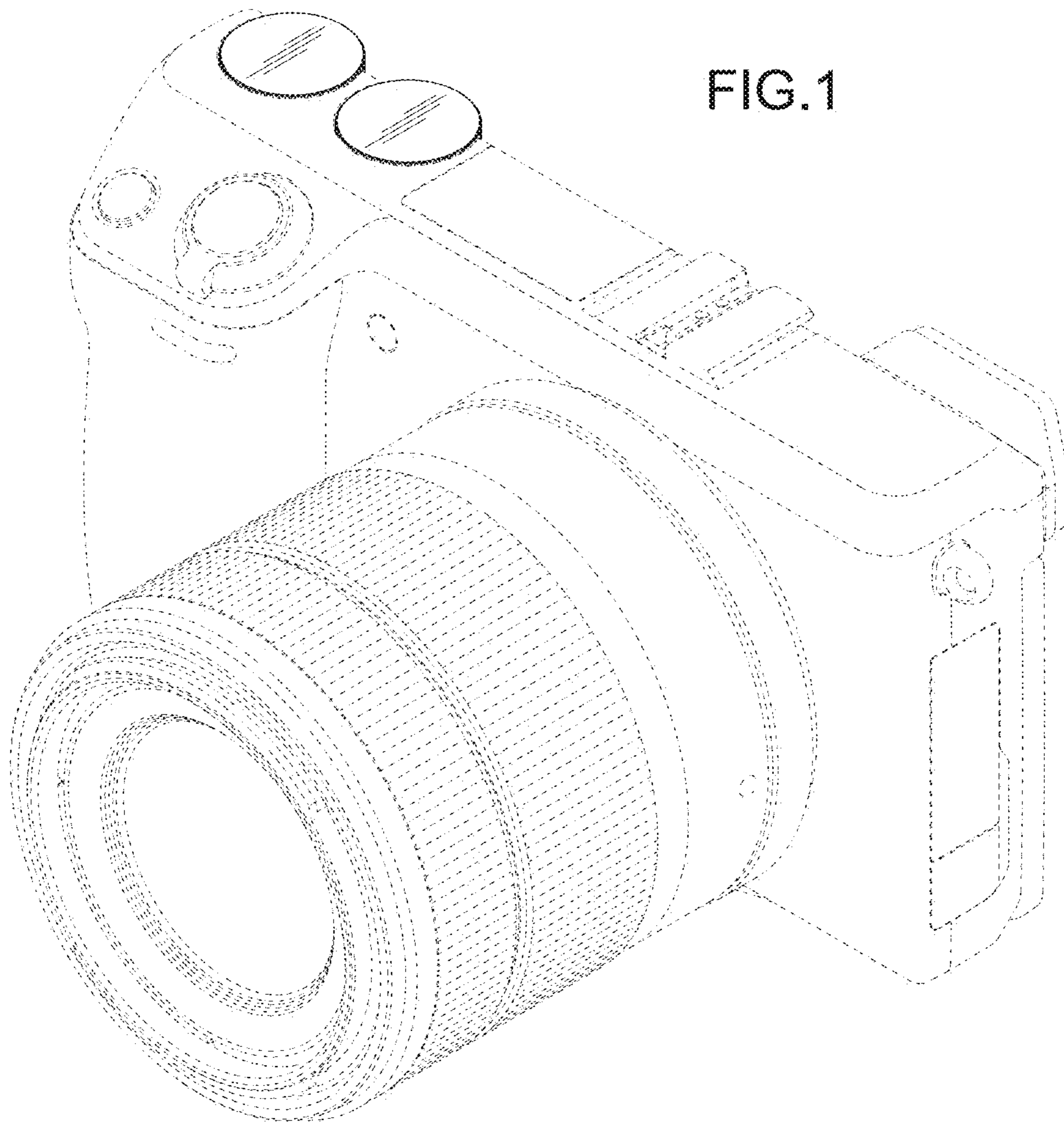


FIG. 1

FIG.2

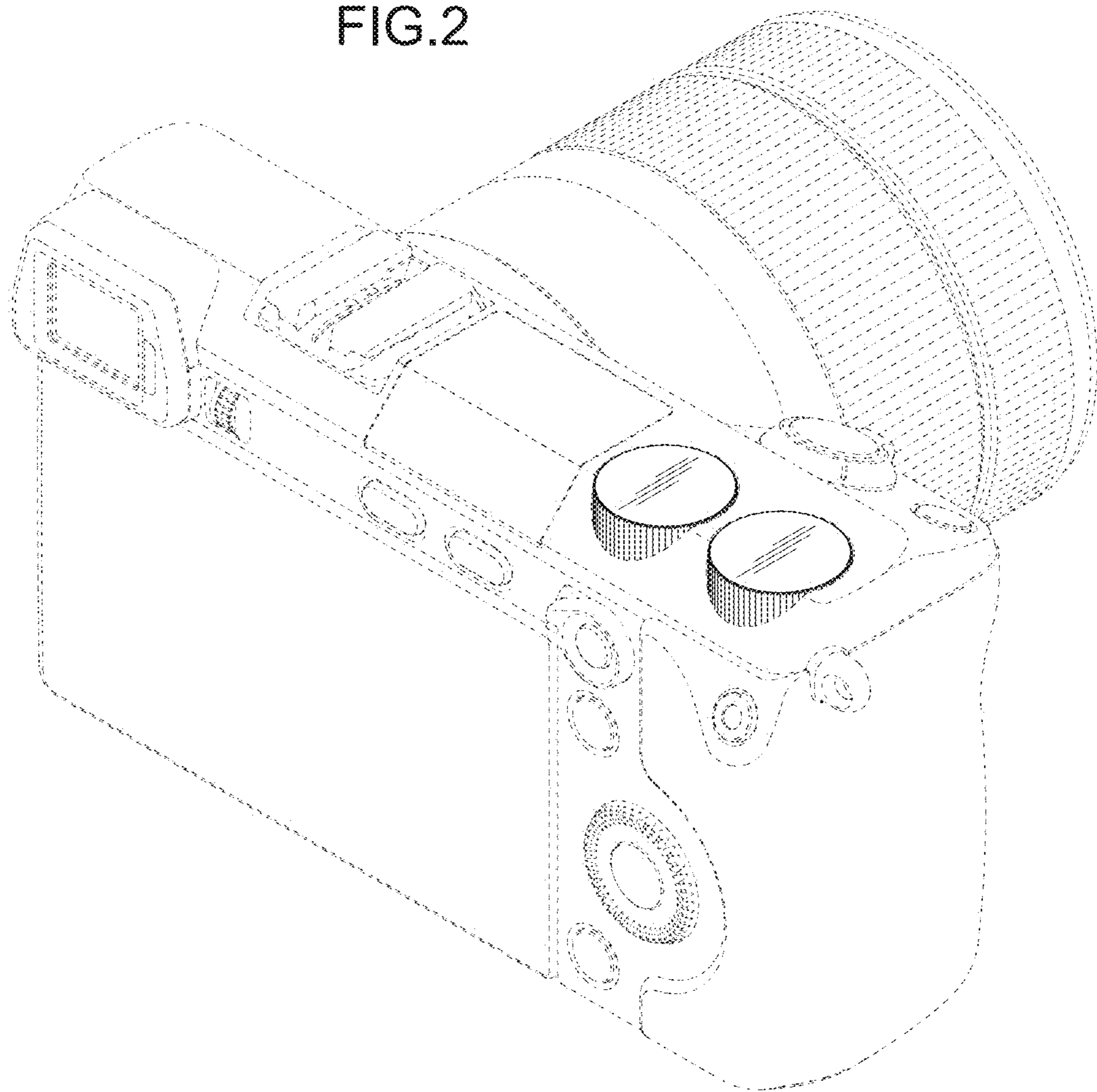


FIG.3

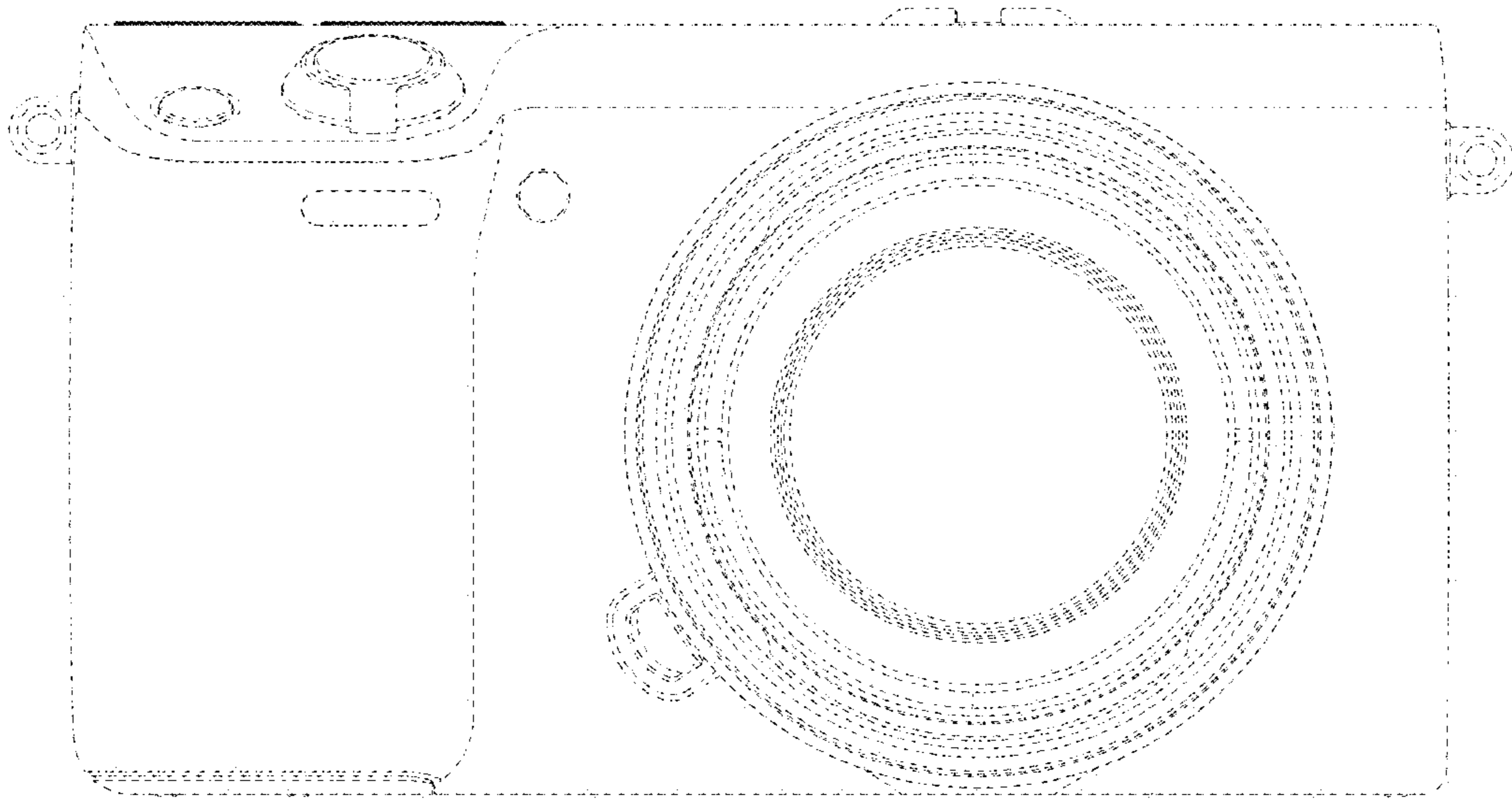


FIG.4

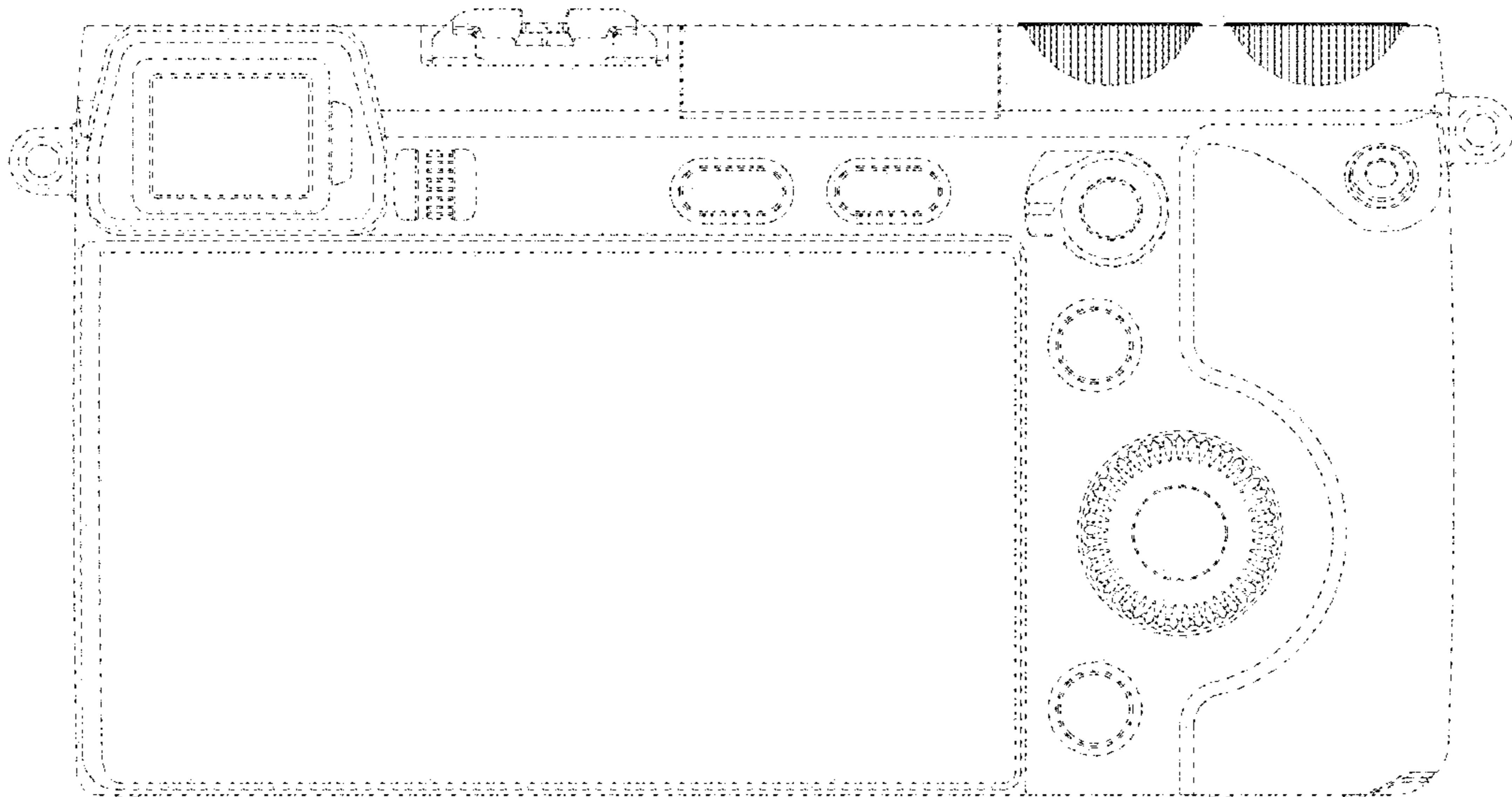


FIG.5

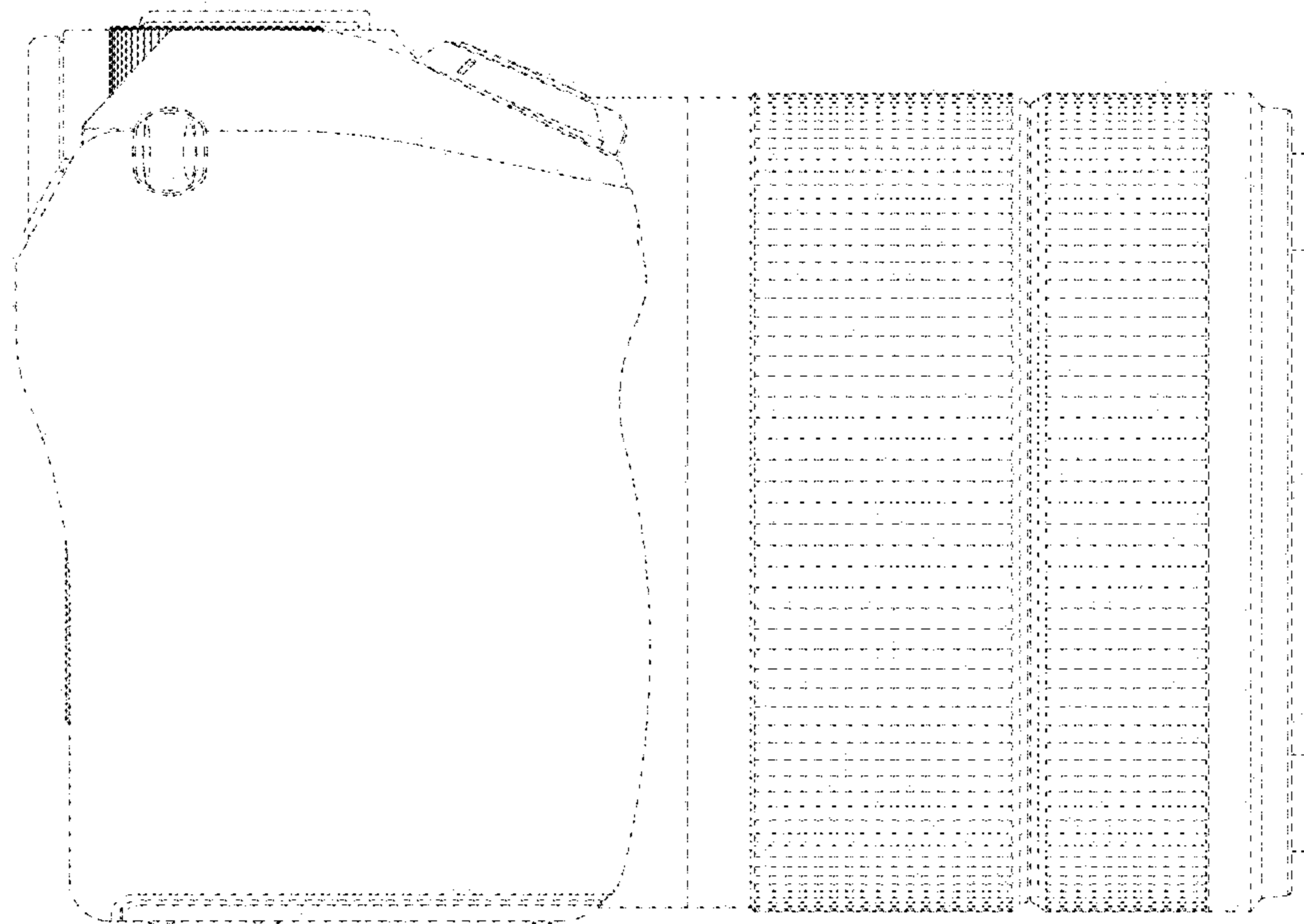


FIG.6

