



US00D749161S

(12) **United States Design Patent**
Scalisi

(10) **Patent No.:** **US D749,161 S**
(45) **Date of Patent:** **** Feb. 9, 2016**

(54) **LIGHT SOCKET SURVEILLANCE SYSTEM**

(71) Applicant: **SkyBell Technologies, Inc.**, Irvine, CA
(US)

(72) Inventor: **Joseph Frank Scalisi**, Yorba Linda, CA
(US)

(73) Assignee: **SkyBell Technologies, Inc.**, Irvine, CA
(US)

(**) Term: **14 Years**

(21) Appl. No.: **29/517,852**

(22) Filed: **Feb. 17, 2015**

(51) **LOC (10) Cl.** **16-01**

(52) **U.S. Cl.**
USPC **D16/203; D26/2**

(58) **Field of Classification Search**
USPC D16/200, 202–206, 218, 219, 242;
D26/1–3; 313/315, 318.01; 348/143,
348/148, 151, 373–376; 396/419, 427, 535,
396/539–541
CPC G03B 17/02; G03B 19/04; G03B 17/56;
G03B 17/04; G03B 15/03; H04N 5/2251;
H04N 5/2252; H04N 5/2253; H04N 5/2254;
H04N 7/181; H04N 7/183; H04N 7/18;
G08B 13/1963; G08B 13/19619; G08B
13/19632

See application file for complete search history.

(56) **References Cited**

U.S. PATENT DOCUMENTS

D179,803 S * 3/1957 Gillette D16/202
D435,576 S * 12/2000 McBride D16/203
D435,577 S * 12/2000 McBride D16/203
D487,939 S * 3/2004 Smith D26/2
D494,287 S * 8/2004 Matsui D13/180
6,812,970 B1 * 11/2004 McBride G08B 13/19619
348/151

D509,842 S * 9/2005 Ou D16/202
D592,231 S * 5/2009 Schnell D16/202
D646,801 S * 10/2011 Chou D26/2
8,334,656 B2 * 12/2012 Weiss H05B 37/0245
315/291
D689,220 S * 9/2013 Zhang D26/2
D722,709 S * 2/2015 Bosua D26/2
D740,873 S * 10/2015 Scalisi D16/203

* cited by examiner

Primary Examiner — Adir Aronovich
Assistant Examiner — Ramzi Almatrahi

(57) **CLAIM**

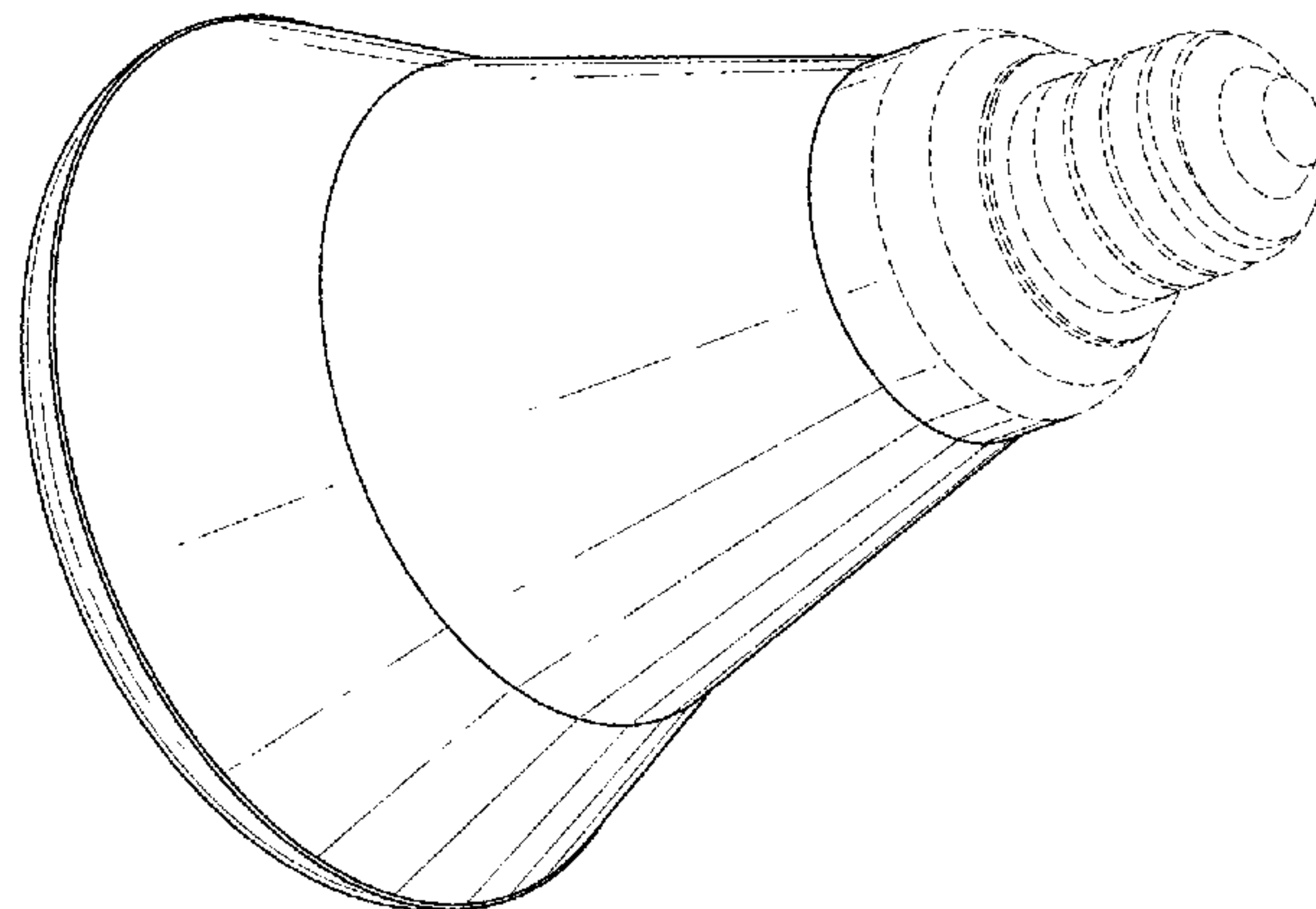
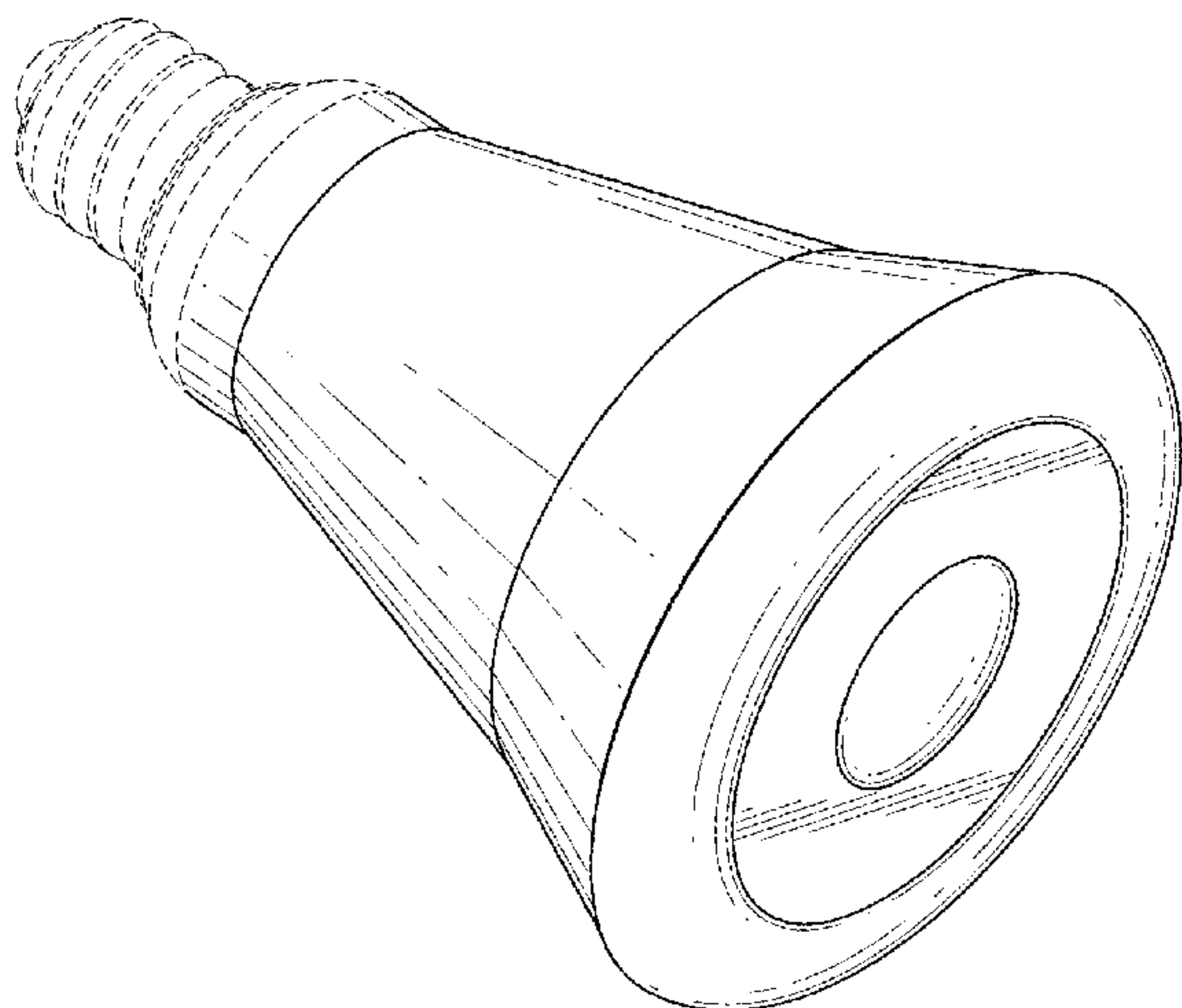
The ornamental design for a light socket surveillance system, as shown and described.

DESCRIPTION

This application is related by subject matter to U.S. patent application Ser. No. 14/549,545, filed Nov. 21, 2014, and entitled Light Socket Cameras; U.S. patent application Ser. No. 14/549,548, filed Nov. 21, 2014, and entitled Light Socket Cameras; U.S. patent application Ser. No. 14/534,588, filed Nov. 6, 2014, and entitled Light Socket Cameras; U.S. patent application Ser. No. 29/497,748, filed Jul. 28, 2014, and entitled Light Socket Camera; The entire contents of U.S. patent application Ser. No. 14/549,545; U.S. patent application Ser. No. 14/549,548; U.S. patent application Ser. No. 14/534,588; U.S. patent application Ser. No. 29/497,748 are incorporated herein by reference.

FIG. 1 is a bottom and front perspective view of a light socket surveillance system embodying the new design; FIG. 2 is a top and front perspective view thereof; FIG. 3 is a bottom plan view thereof; FIG. 4 is a top plan view thereof; FIG. 5 is a side elevation view thereof; and, FIG. 6 is an opposite side elevation view thereof. The broken lines in the drawing are included for the purpose of illustrating environmental subject matter and form no part of the claimed design.

1 Claim, 3 Drawing Sheets



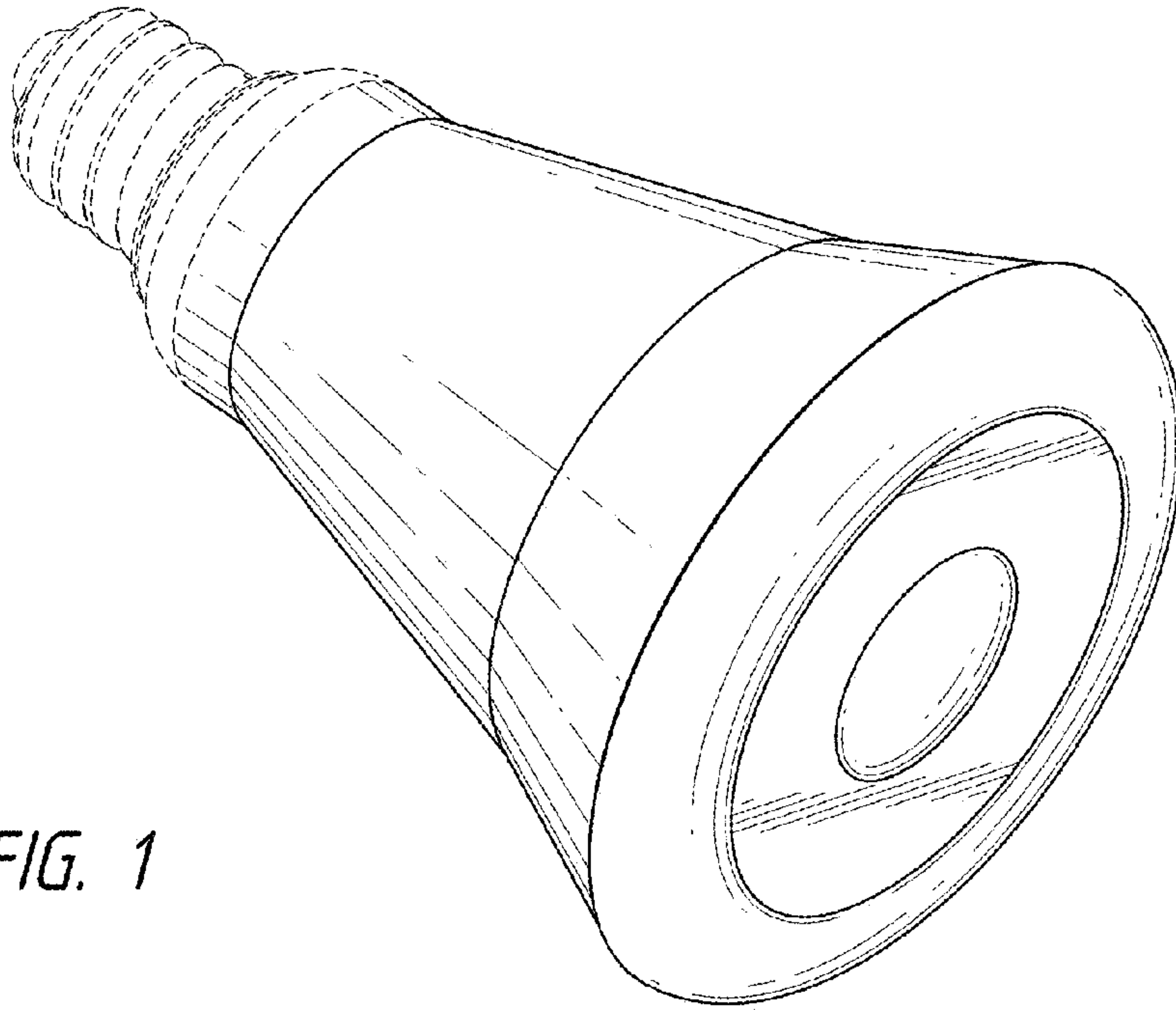


FIG. 1

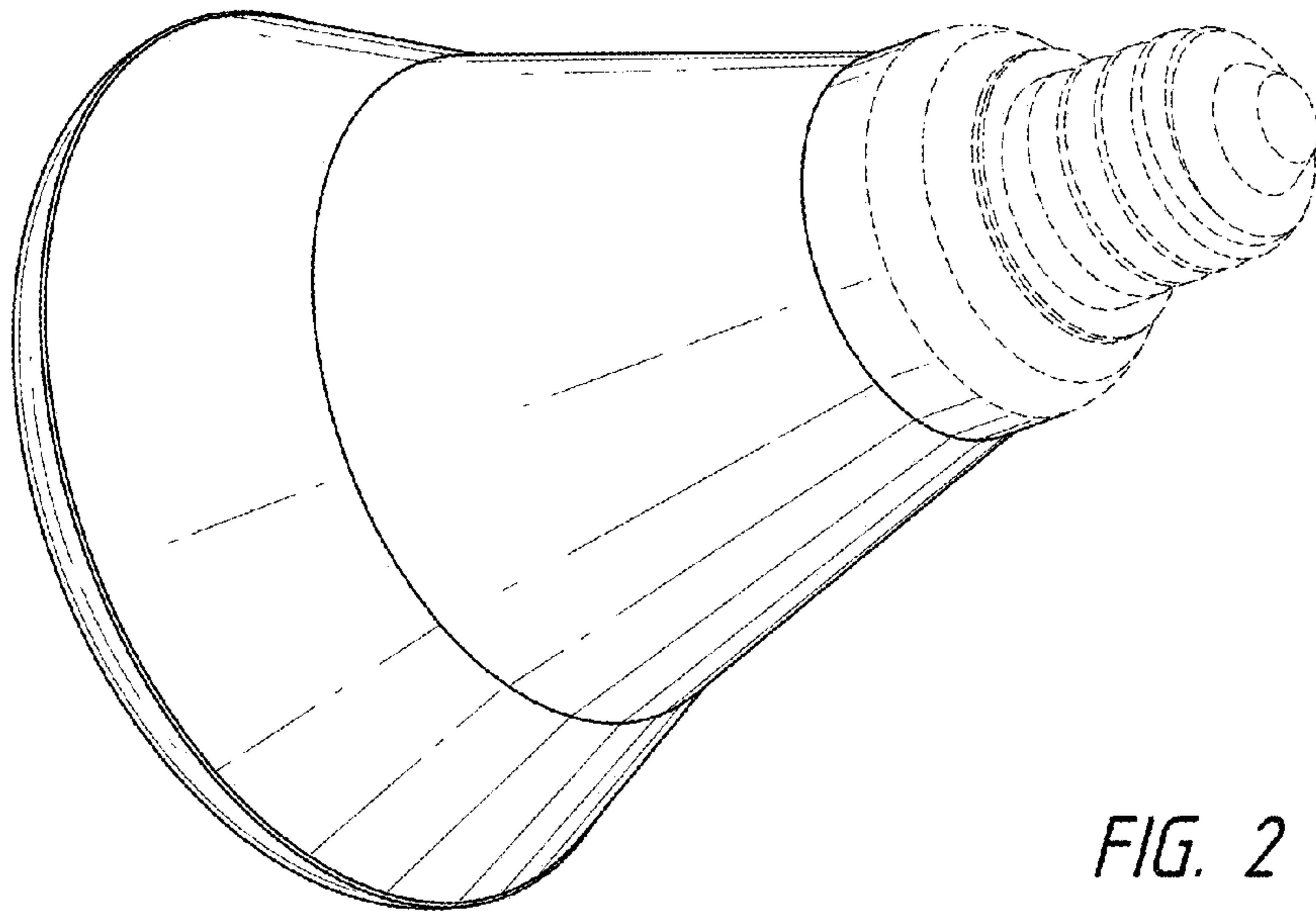


FIG. 2

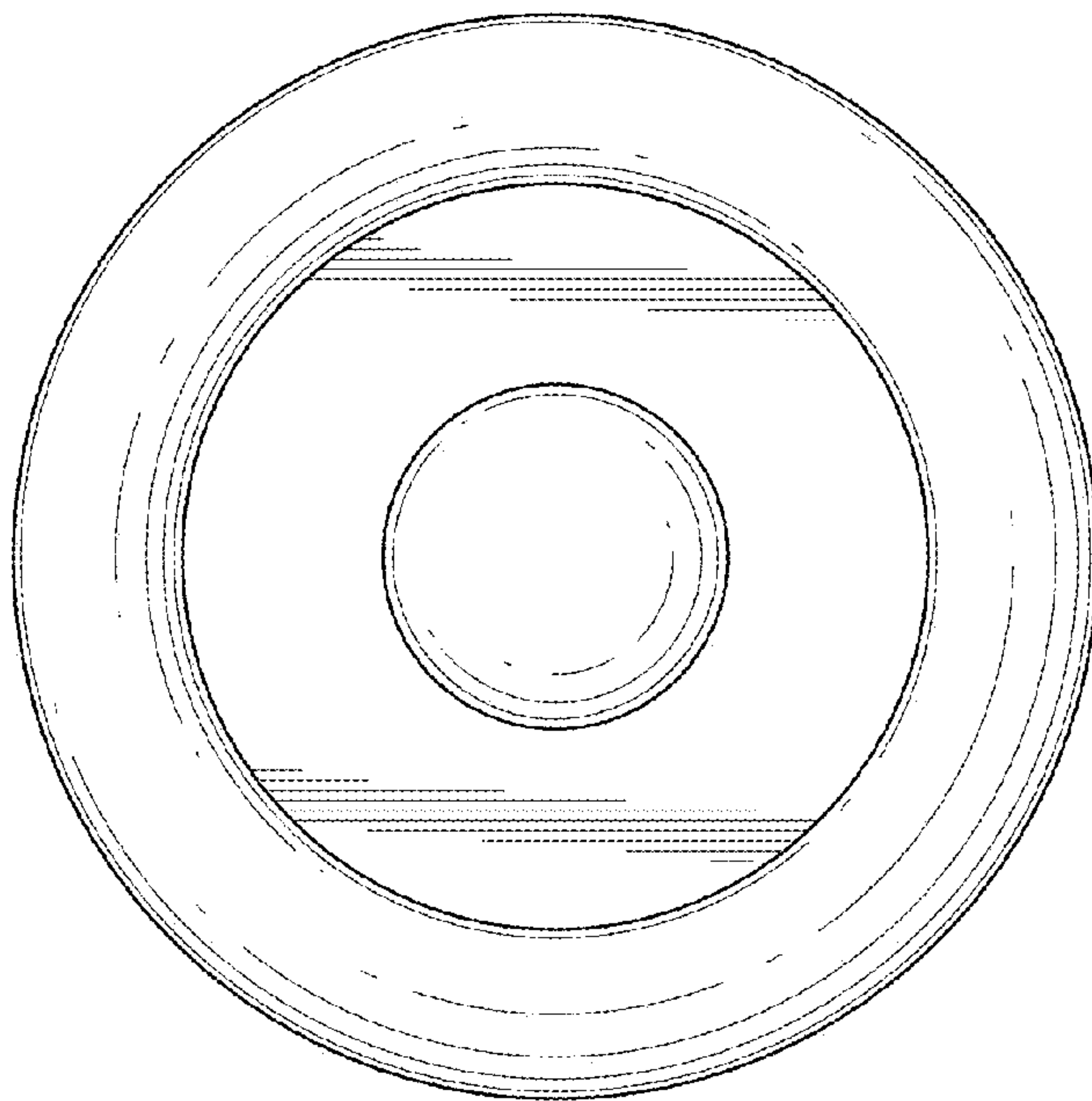


FIG. 3

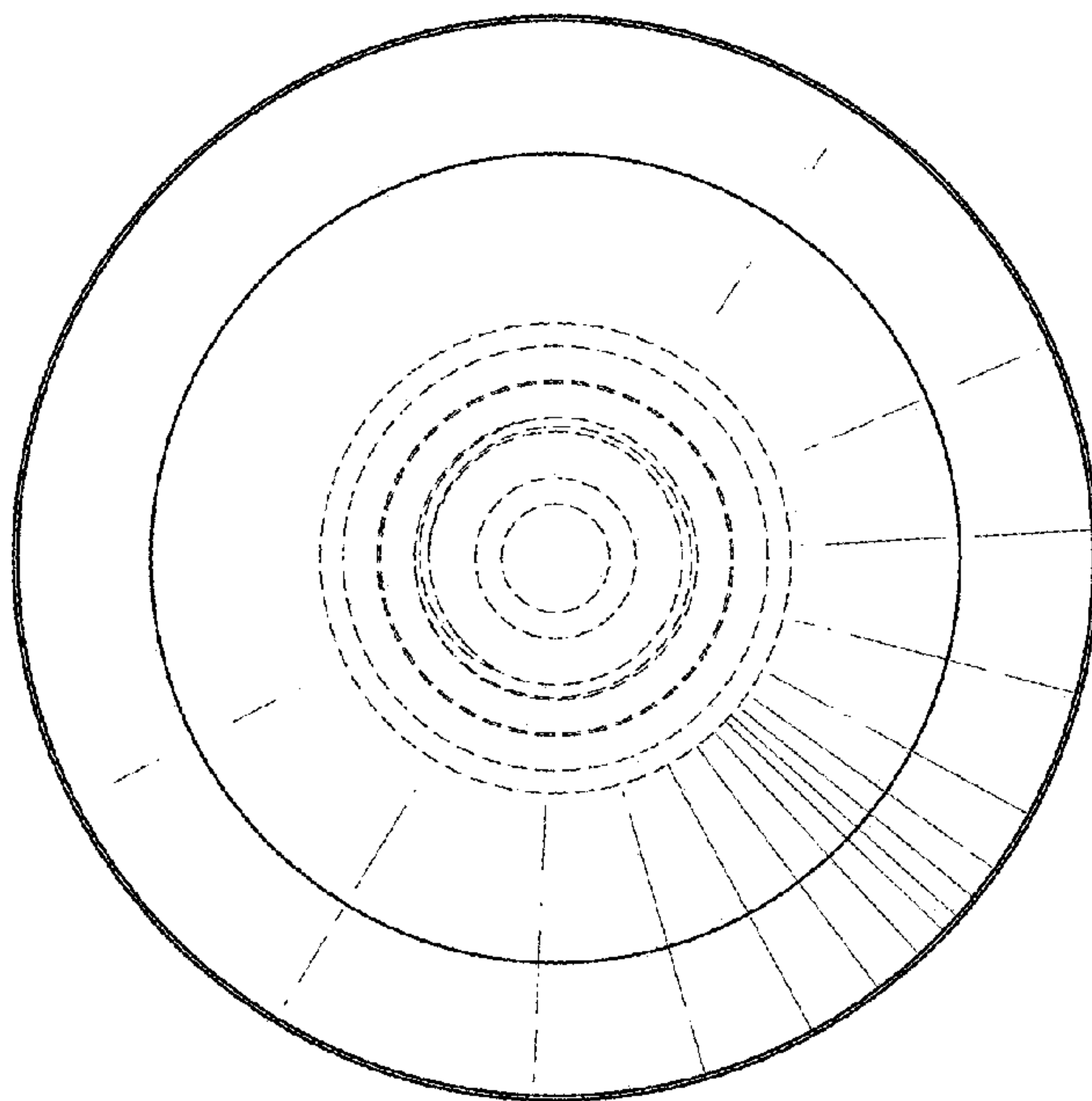


FIG. 4

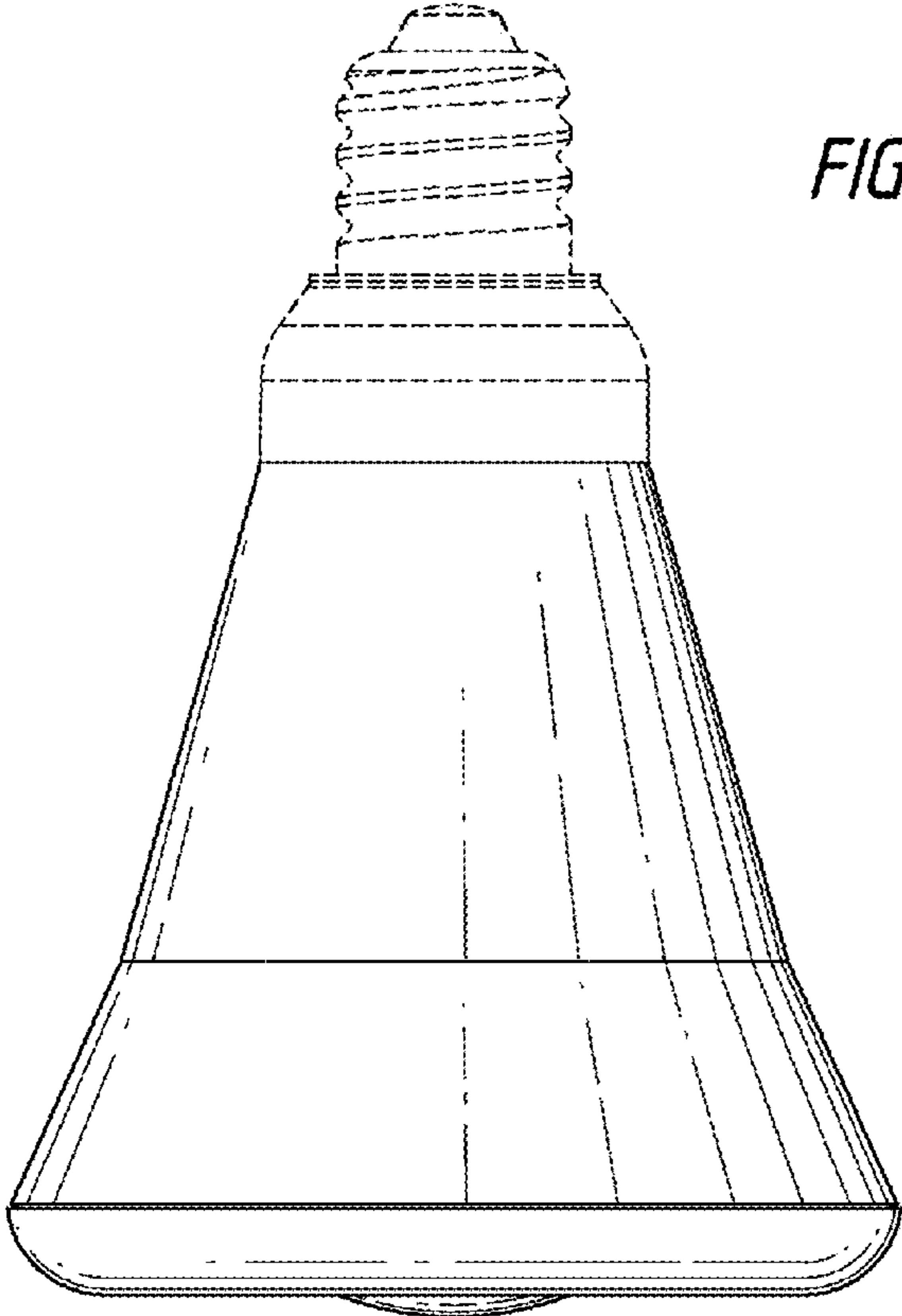


FIG. 5

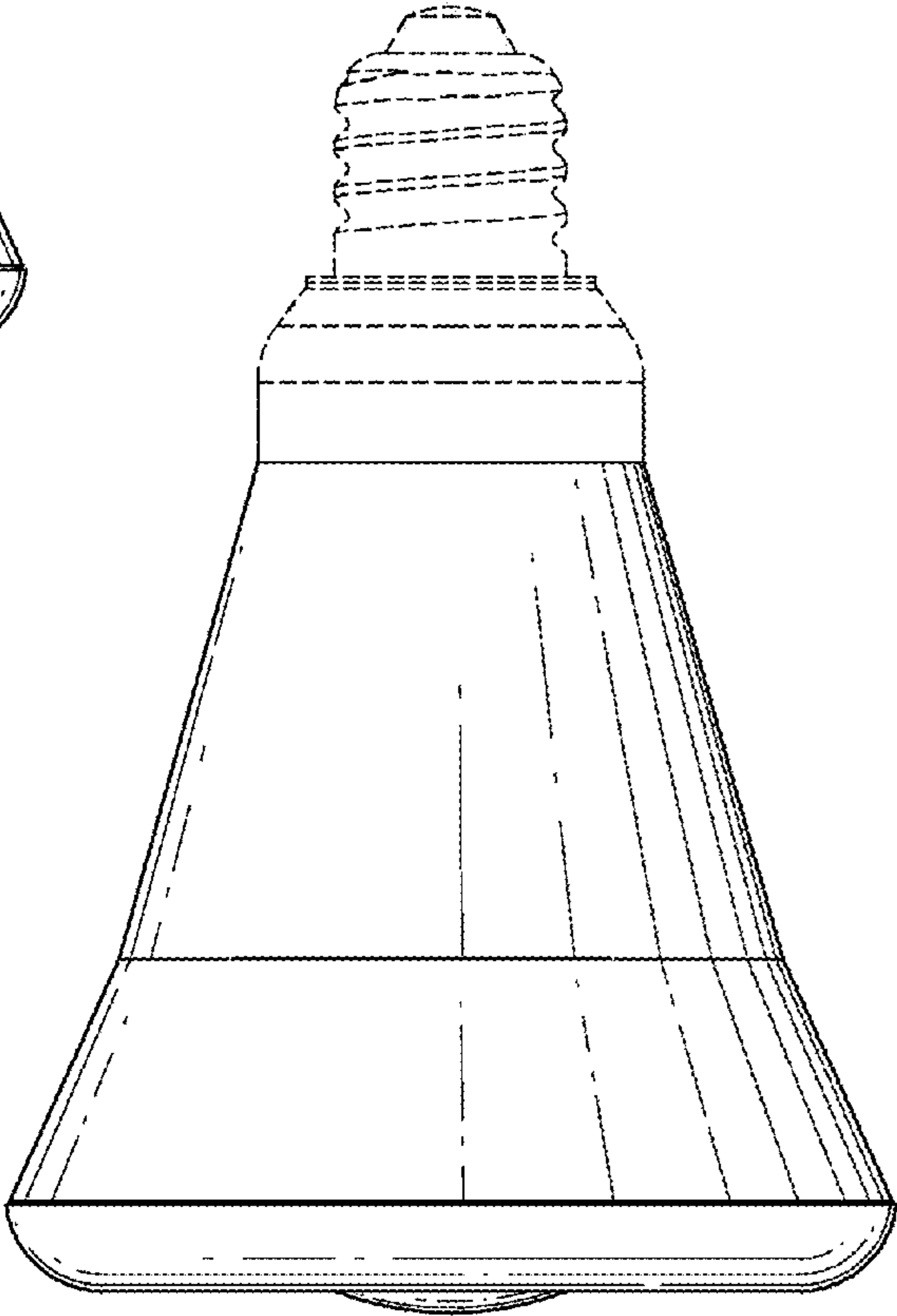


FIG. 6