



US00D749159S

(12) **United States Design Patent**
Liu

(10) **Patent No.:** **US D749,159 S**
(45) **Date of Patent:** **** Feb. 9, 2016**

(54) **ROBOT**

(71) Applicant: **HON HAI PRECISION INDUSTRY CO., LTD.**, New Taipei (TW)

(72) Inventor: **Zhen-Xing Liu**, Shenzhen (CN)

(73) Assignee: **HON HAI PRECISION INDUSTRY CO., LTD.**, New Taipei (TW)

(**) Term: **14 Years**

(21) Appl. No.: **29/512,504**

(22) Filed: **Dec. 19, 2014**

(30) **Foreign Application Priority Data**

Oct. 10, 2014 (CN) 2014 3 0380529

(51) **LOC (10) Cl.** **15-09**

(52) **U.S. Cl.**
USPC **D15/199**

(58) **Field of Classification Search**
USPC D15/199; D21/578-583, 621, 622
See application file for complete search history.

(56) **References Cited**

U.S. PATENT DOCUMENTS

4,583,909	A *	4/1986	Yamashita	B23Q 1/58
					403/400
D289,406	S *	4/1987	Shibayama	D15/122
4,685,862	A *	8/1987	Nagai	B25J 19/021
					414/744.3
D291,890	S *	9/1987	Inoue	D15/122
4,737,697	A *	4/1988	Maruo	B25J 9/042
					318/568.13
4,894,595	A *	1/1990	Sogawa	G05B 19/42

					318/567
4,904,152	A *	2/1990	Doi	B25J 9/046
					318/568.11
5,031,474	A *	7/1991	Keppler	B25J 9/042
					74/490.04
5,151,007	A *	9/1992	Maruo	B25J 9/042
					212/197
5,375,480	A *	12/1994	Nihei	B25J 19/0029
					74/490.02
D366,054	S *	1/1996	Eguchi	D15/132
D410,660	S *	6/1999	Kawaguchi	D15/199
D433,042	S *	10/2000	Kawahara	D15/199
D645,488	S *	9/2011	Miyake	D15/199
8,668,428	B2 *	3/2014	Hino	B25J 9/042
					414/744.5
D711,447	S *	8/2014	Kasahara	D15/199
2013/0047769	A1 *	2/2013	Long	B25J 9/102
					74/490.01
2013/0060383	A1 *	3/2013	Jeong	B25J 9/045
					700/261

* cited by examiner

Primary Examiner — Patricia Palasik

(74) *Attorney, Agent, or Firm* — Novak Druce Connolly Bove + Quigg LLP

(57) **CLAIM**

The ornamental design for a robot, as shown and described.

DESCRIPTION

FIG. 1 is a perspective view of a robot showing my design.

FIG. 2 is a front elevational view thereof.

FIG. 3 is a rear elevational view thereof.

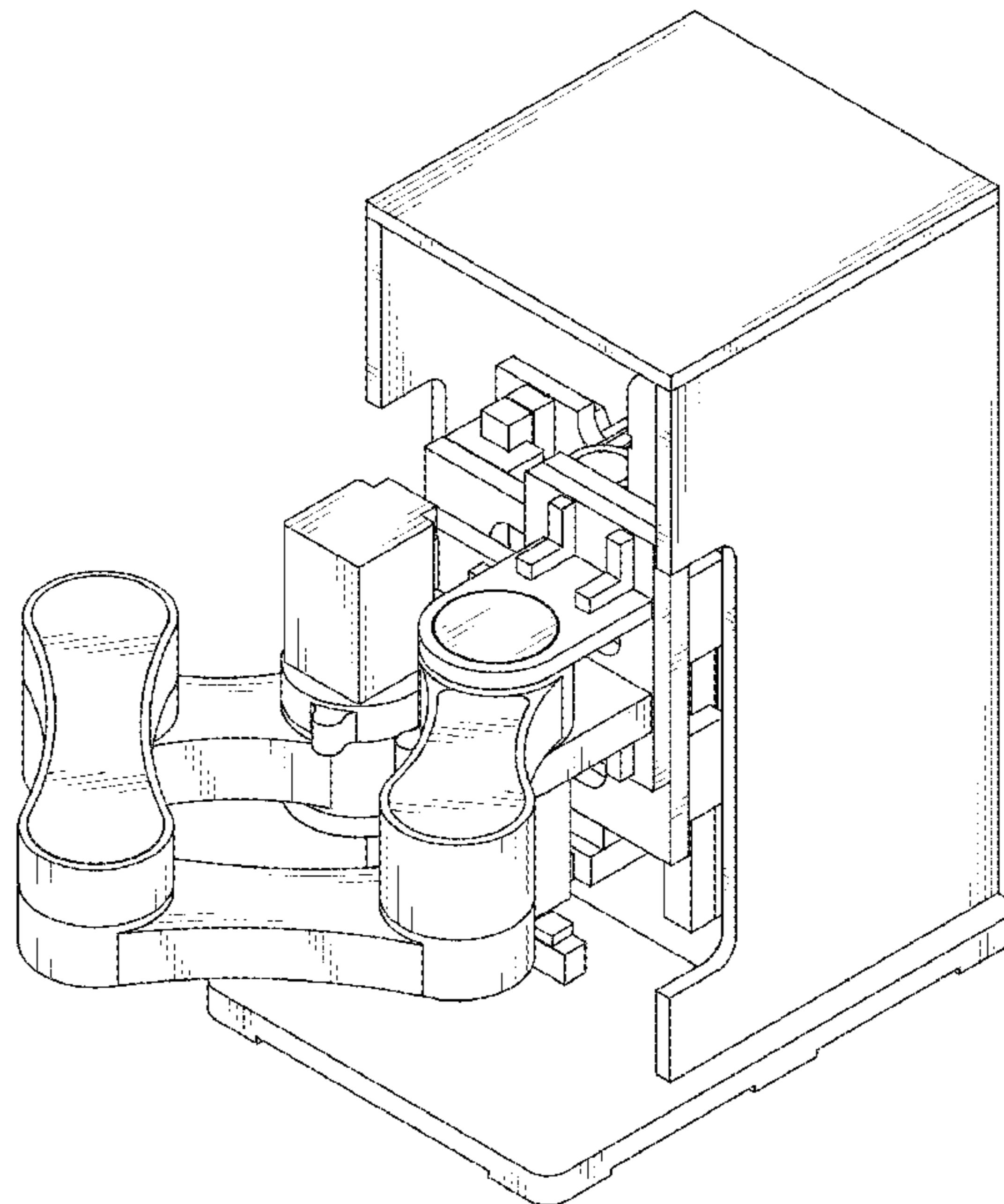
FIG. 4 is a left-side elevational view thereof.

FIG. 5 is a right-side elevational view thereof.

FIG. 6 is a top plan view thereof; and,

FIG. 7 is a bottom plan view thereof.

1 Claim, 7 Drawing Sheets



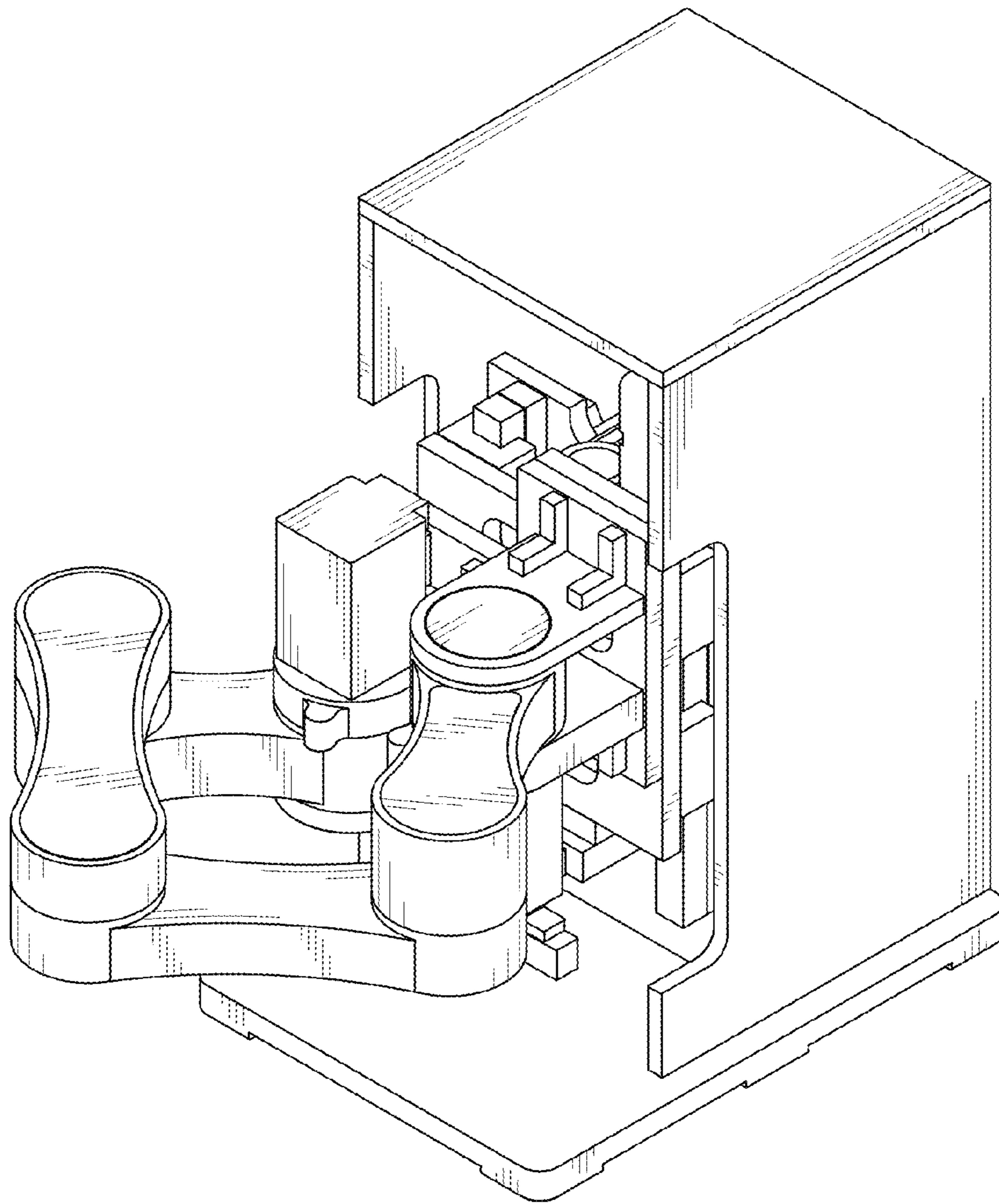


FIG. 1

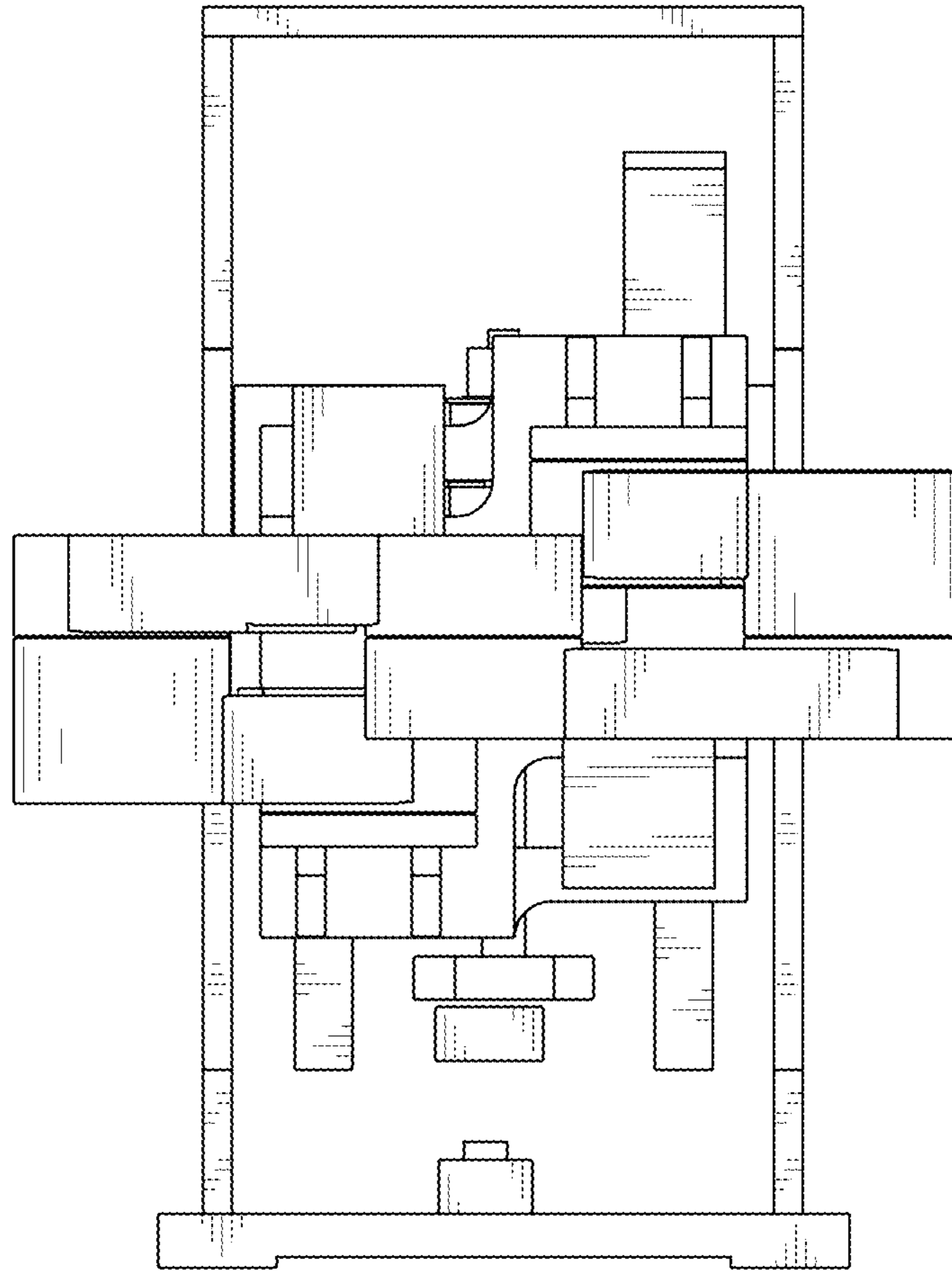


FIG. 2

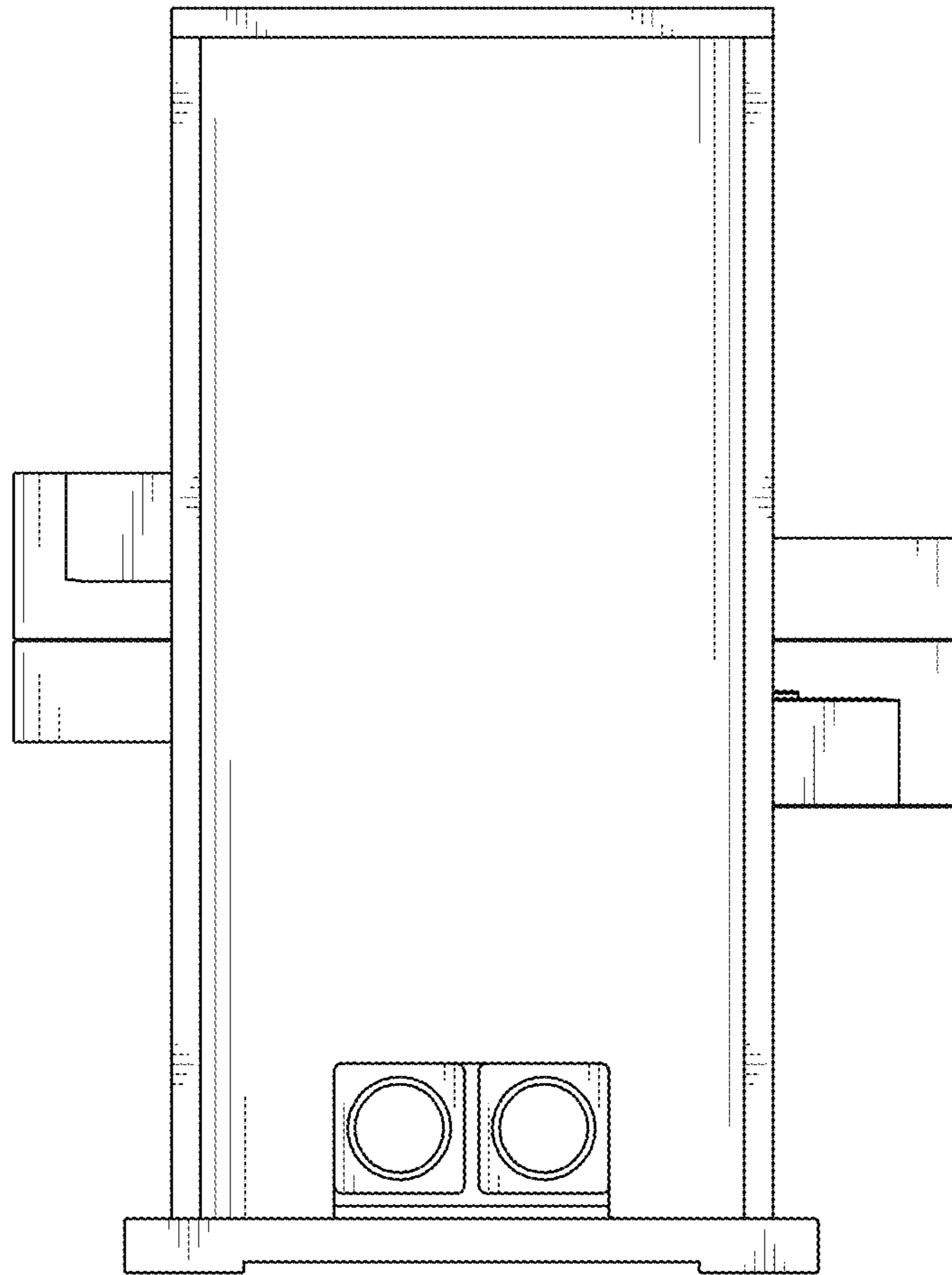


FIG. 3

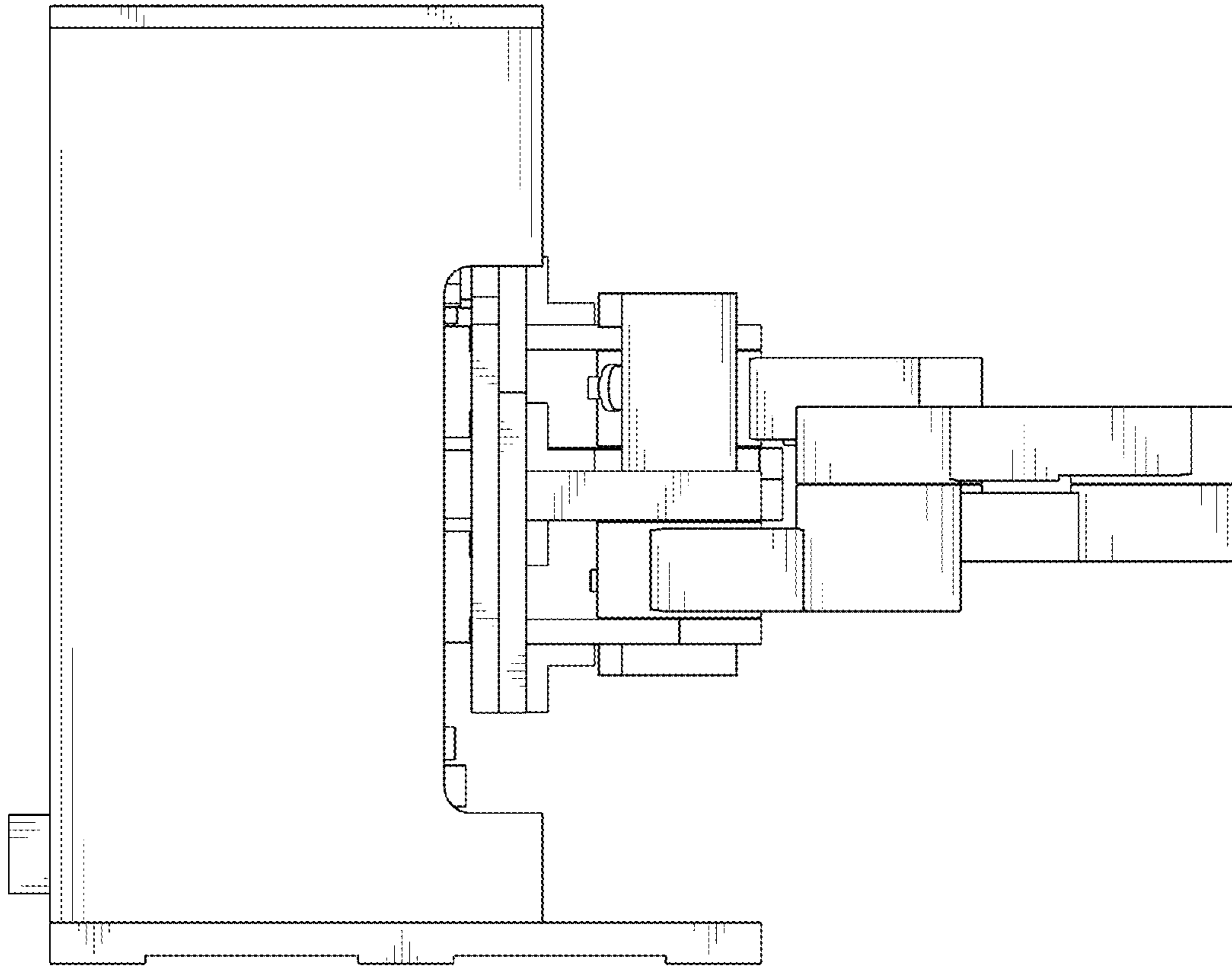


FIG. 4

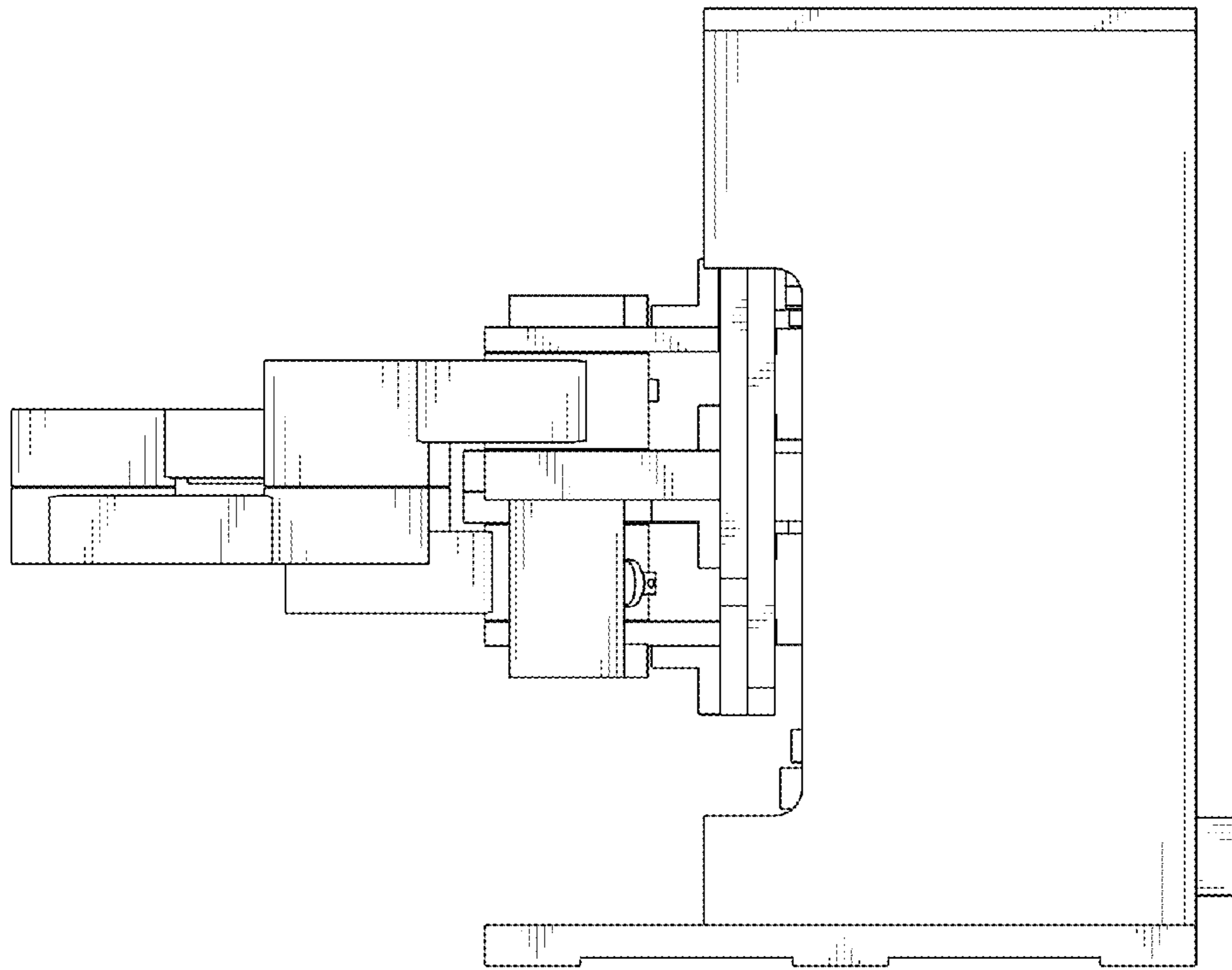


FIG. 5

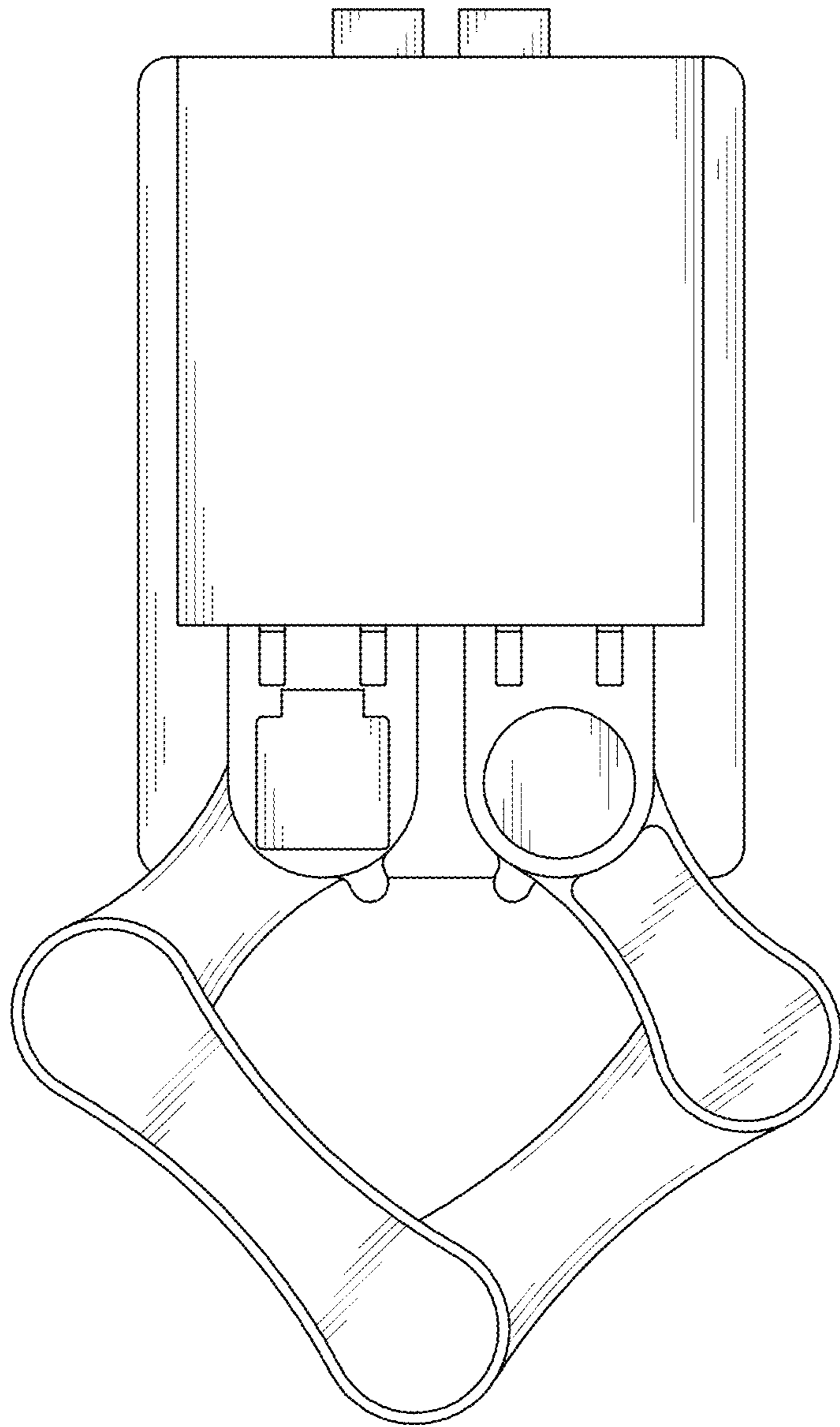


FIG. 6

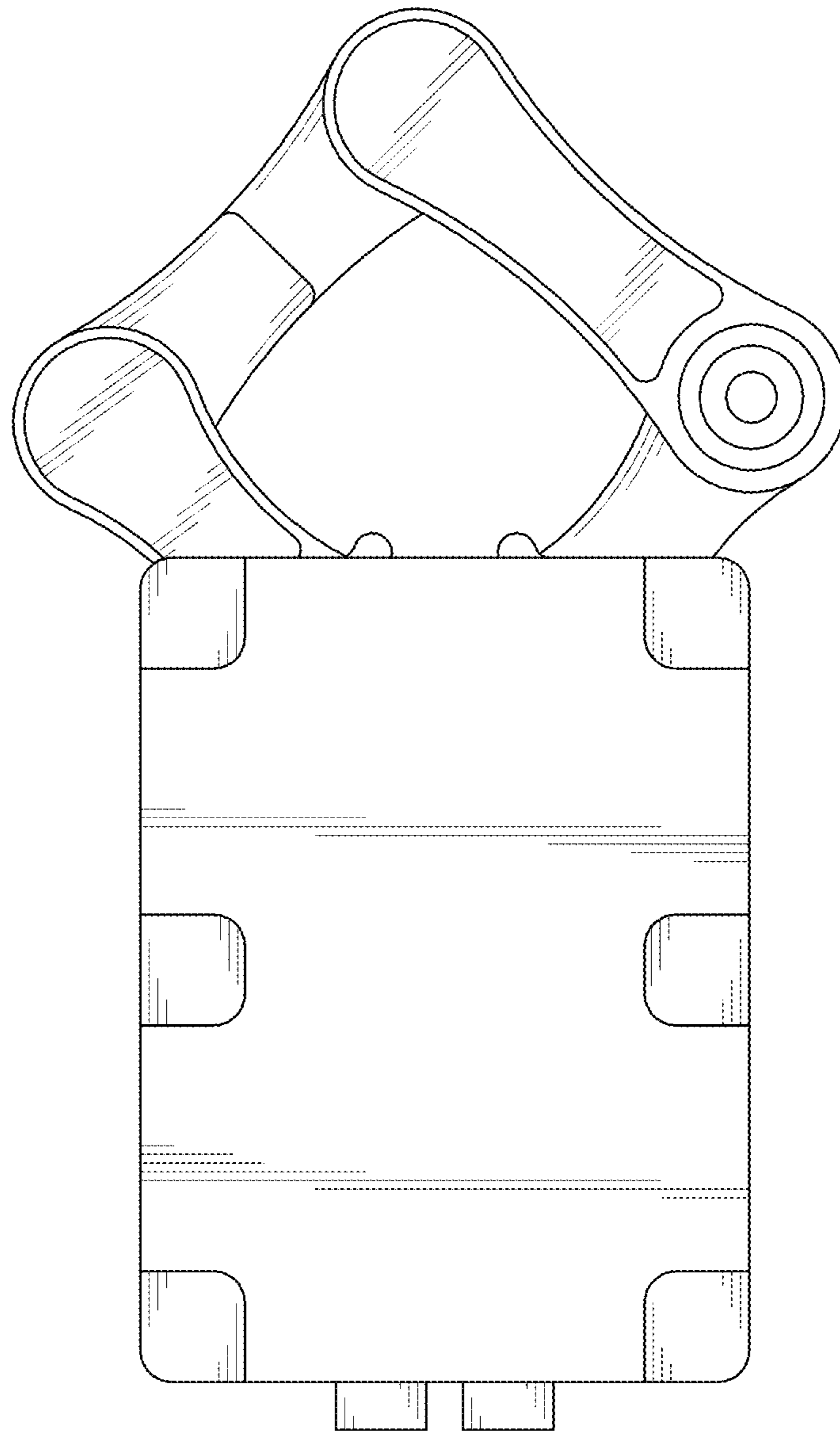


FIG. 7