



US00D749157S

(12) **United States Design Patent**
Seidenberg et al.

(10) **Patent No.:** **US D749,157 S**
(45) **Date of Patent:** **** Feb. 9, 2016**

(54) **THREE-DIMENSIONAL PRINTER
EXTRUDER CARRIAGE**

(71) Applicant: **MakerBot Industries, LLC**, Brooklyn,
NY (US)

(72) Inventors: **Jackson Seidenberg**, Brooklyn, NY
(US); **Vishnu Anantha**, Queens, NY
(US); **Kevin C. Rand**, New York, NY
(US); **William B. Buel**, New York, NY
(US); **Peter Joseph Schmehl**, New York,
NY (US); **Stewart Schmehl**, Pinehurst,
NC (US)

(73) Assignee: **MakerBot Industries, LLC**, Brooklyn,
NY (US)

(**) Term: **14 Years**

(21) Appl. No.: **29/478,438**

(22) Filed: **Jan. 5, 2014**

(51) **LOC (10) Cl.** **15-08**

(52) **U.S. Cl.**
USPC **D15/138**

(58) **Field of Classification Search**
USPC D15/135, 138-139, 199; 101/38.1;
118/46; 264/112-113, 308, 401, 499,
264/642; 425/136, 144, 162, 173, 183, 190,
425/256, 258, 375; 524/556

See application file for complete search history.

(56) **References Cited**

U.S. PATENT DOCUMENTS

5,855,927	A *	1/1999	Uth et al.	425/183
6,045,736	A *	4/2000	Hanot et al.	425/256
6,409,953	B1 *	6/2002	Planeta et al.	264/171.27
7,052,261	B2 *	5/2006	Fernandez et al.	425/136
7,273,364	B2 *	9/2007	Laws et al.	425/144
7,297,304	B2 *	11/2007	Swanson et al.	264/308
7,754,807	B2 *	7/2010	Priedeman et al.	264/308
8,403,658	B2 *	3/2013	Swanson	264/308
8,439,665	B2 *	5/2013	Batchelder et al.	425/144
8,758,004	B2 *	6/2014	Tajima et al.	425/376.1
8,961,167	B2 *	2/2015	Swanson et al.	425/375
2009/0035405	A1 *	2/2009	Leavitt	425/375

* cited by examiner

Primary Examiner — Cathy Anne MacCormac

(74) *Attorney, Agent, or Firm* — Strategic Patents, P.C.

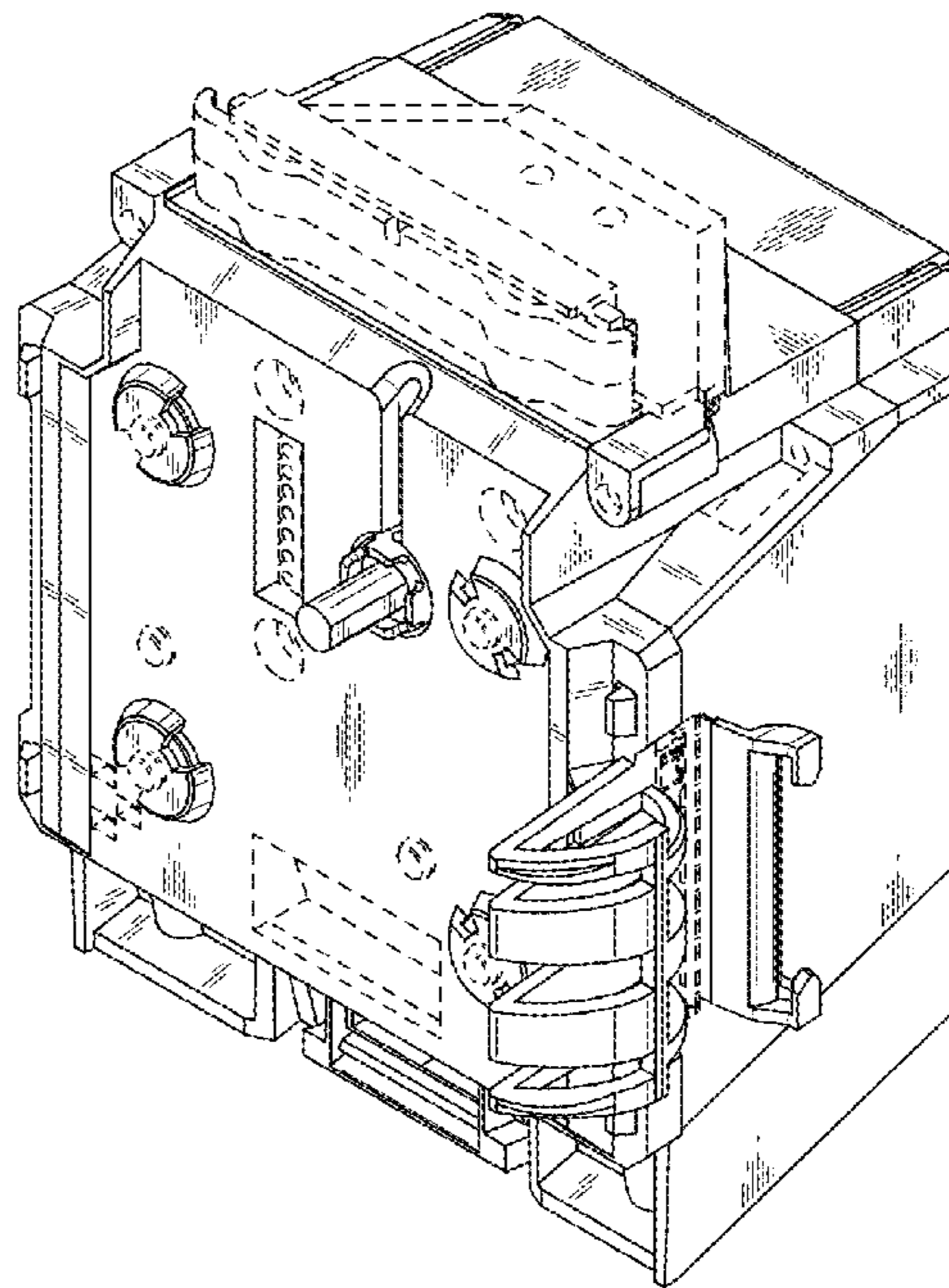
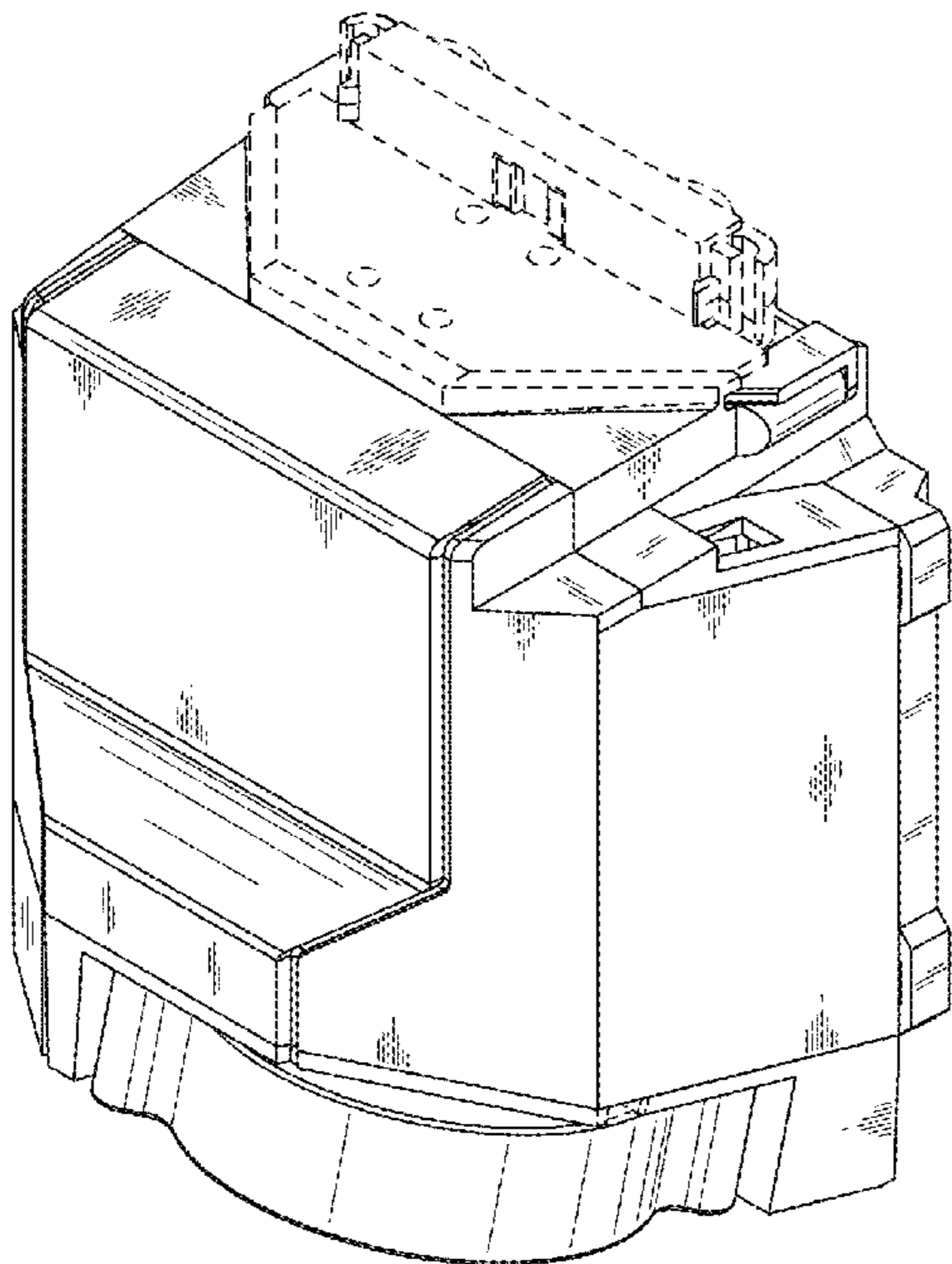
(57) **CLAIM**

What is claimed is the ornamental design for a three-dimensional printer extruder carriage, as shown and described.

DESCRIPTION

FIG. 1 is a front perspective view of a design for a three-dimensional printer extruder carriage.
FIG. 2 is a back perspective view of the design.
FIG. 3 is a left side view of the design.
FIG. 4 is a right side view of the design.
FIG. 5 is a front view of the design.
FIG. 6 is a back view of the design.
FIG. 7 is a top view of the design; and,
FIG. 8 is a bottom view of the design.
The broken lines showing portions of the three-dimensional printer extruder carriage depict environmental subject matter, are for illustrative purposes only, and form no part of the claimed design.

1 Claim, 7 Drawing Sheets



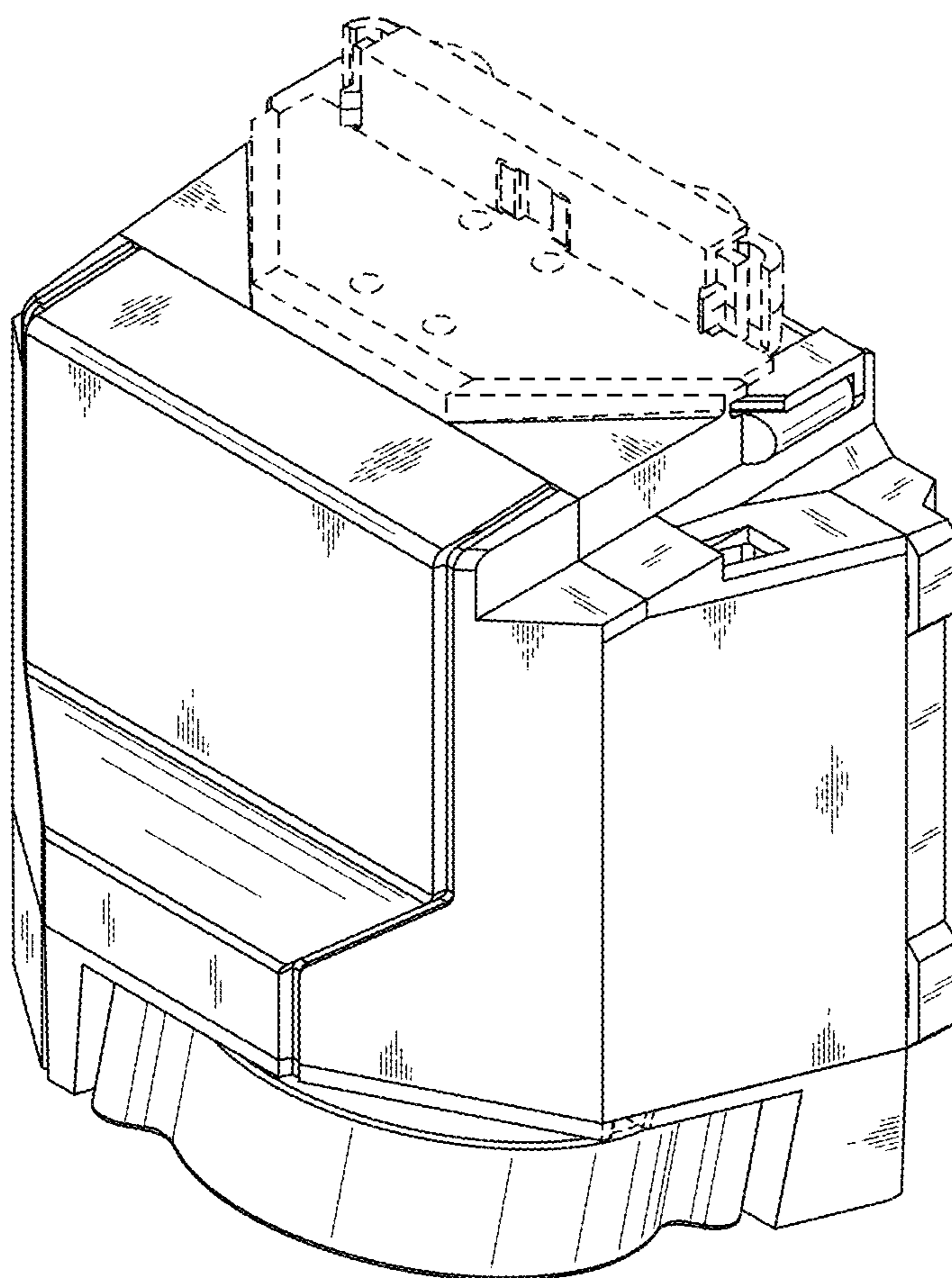


FIG. 1

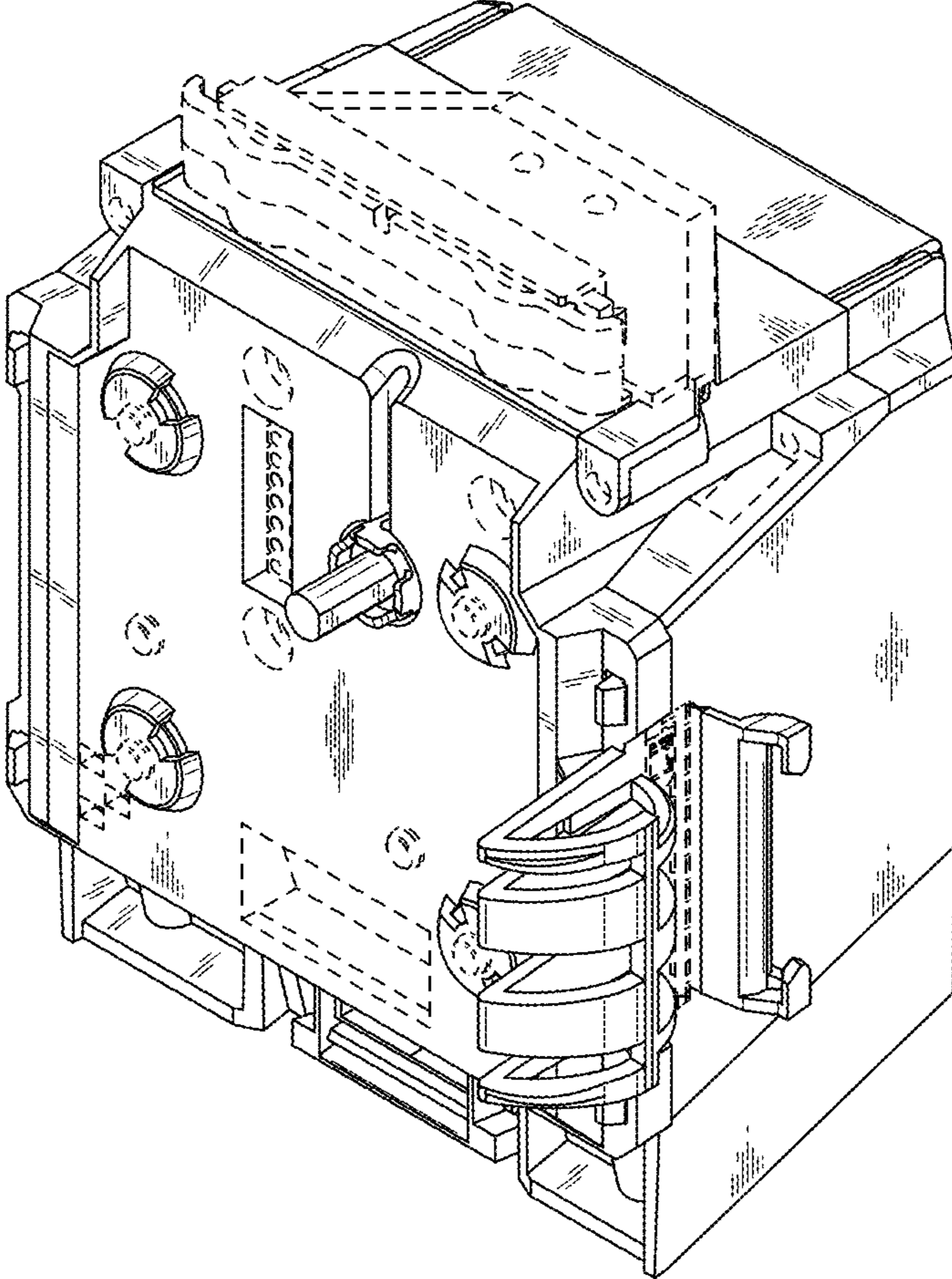


FIG. 2

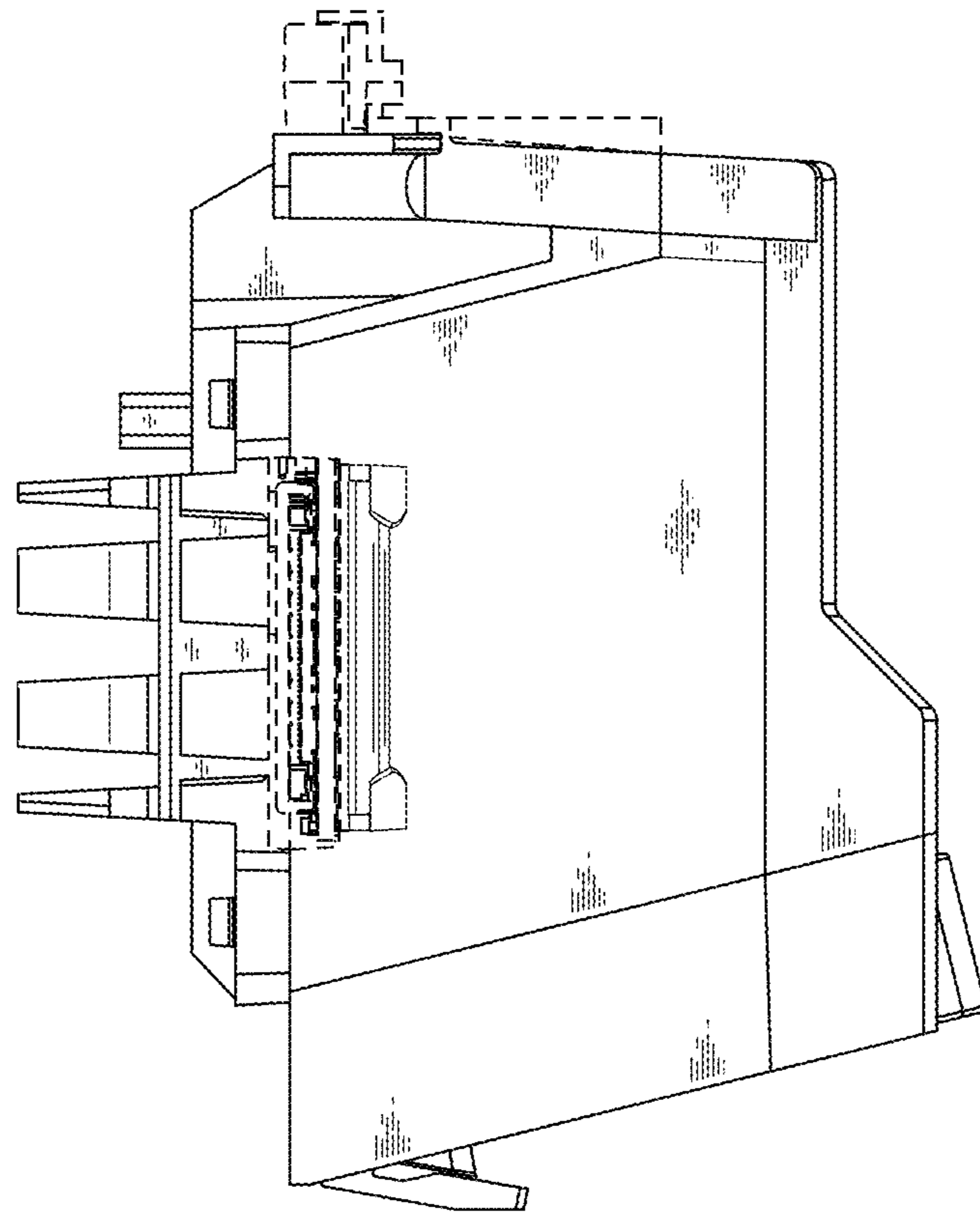


FIG. 3

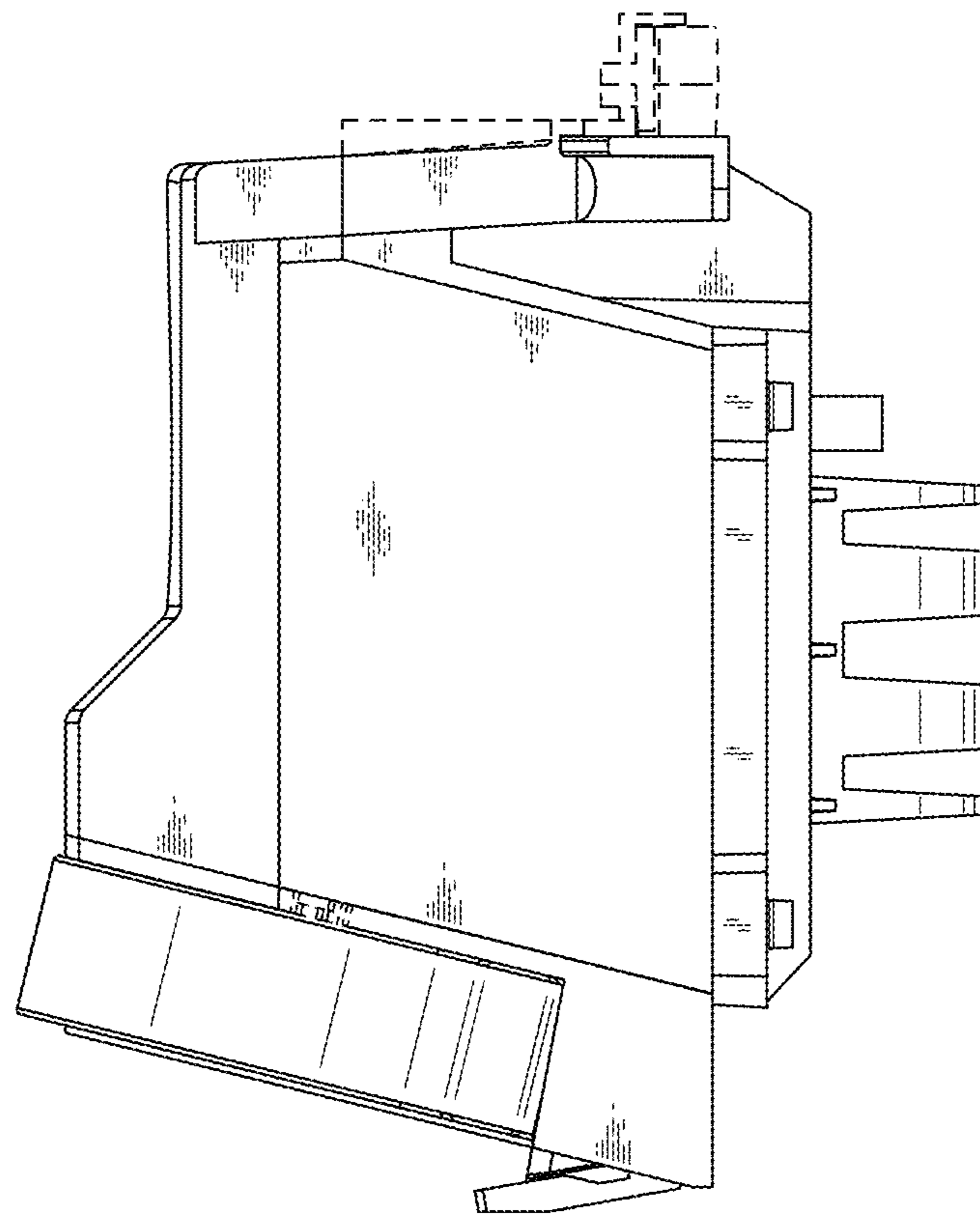


FIG. 4

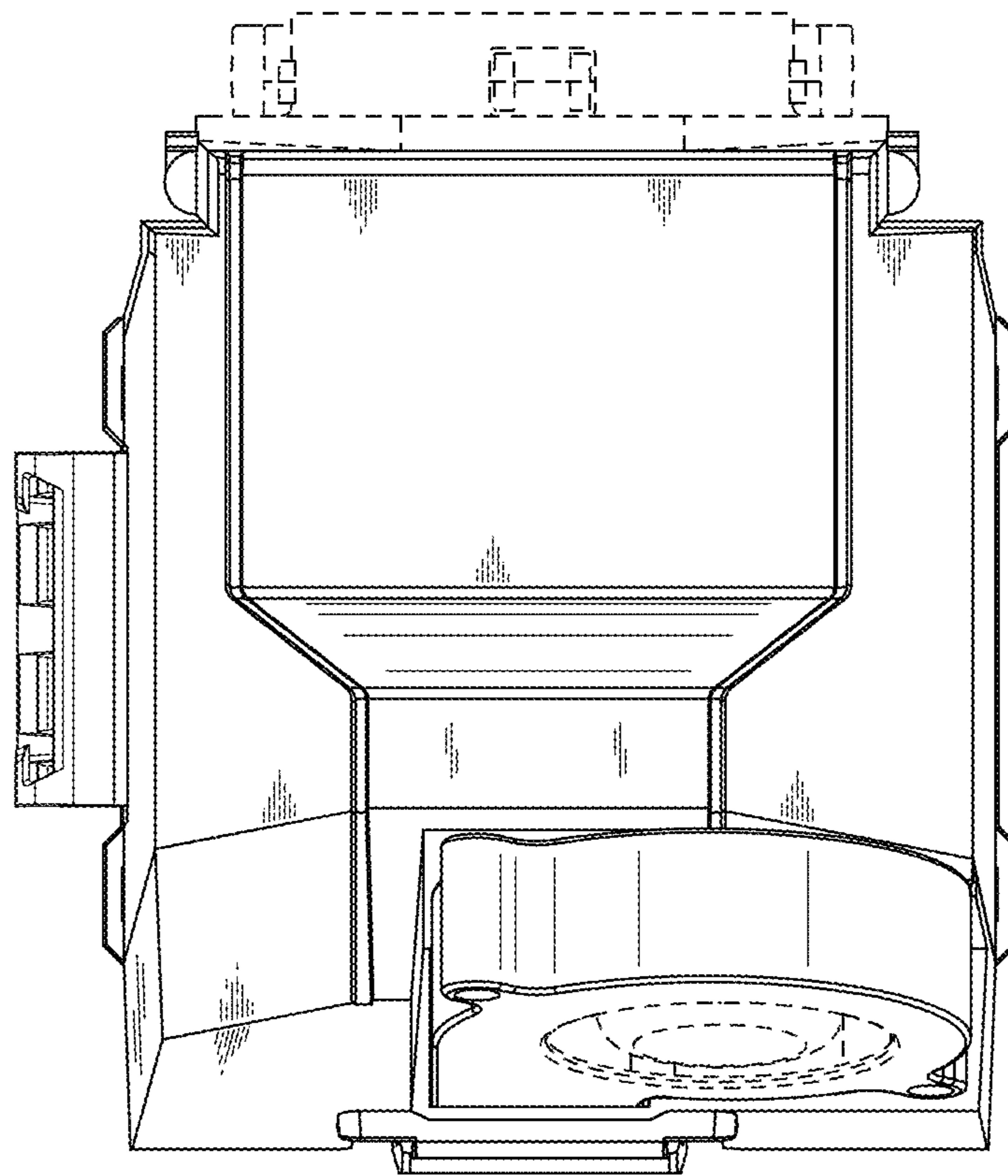


FIG. 5

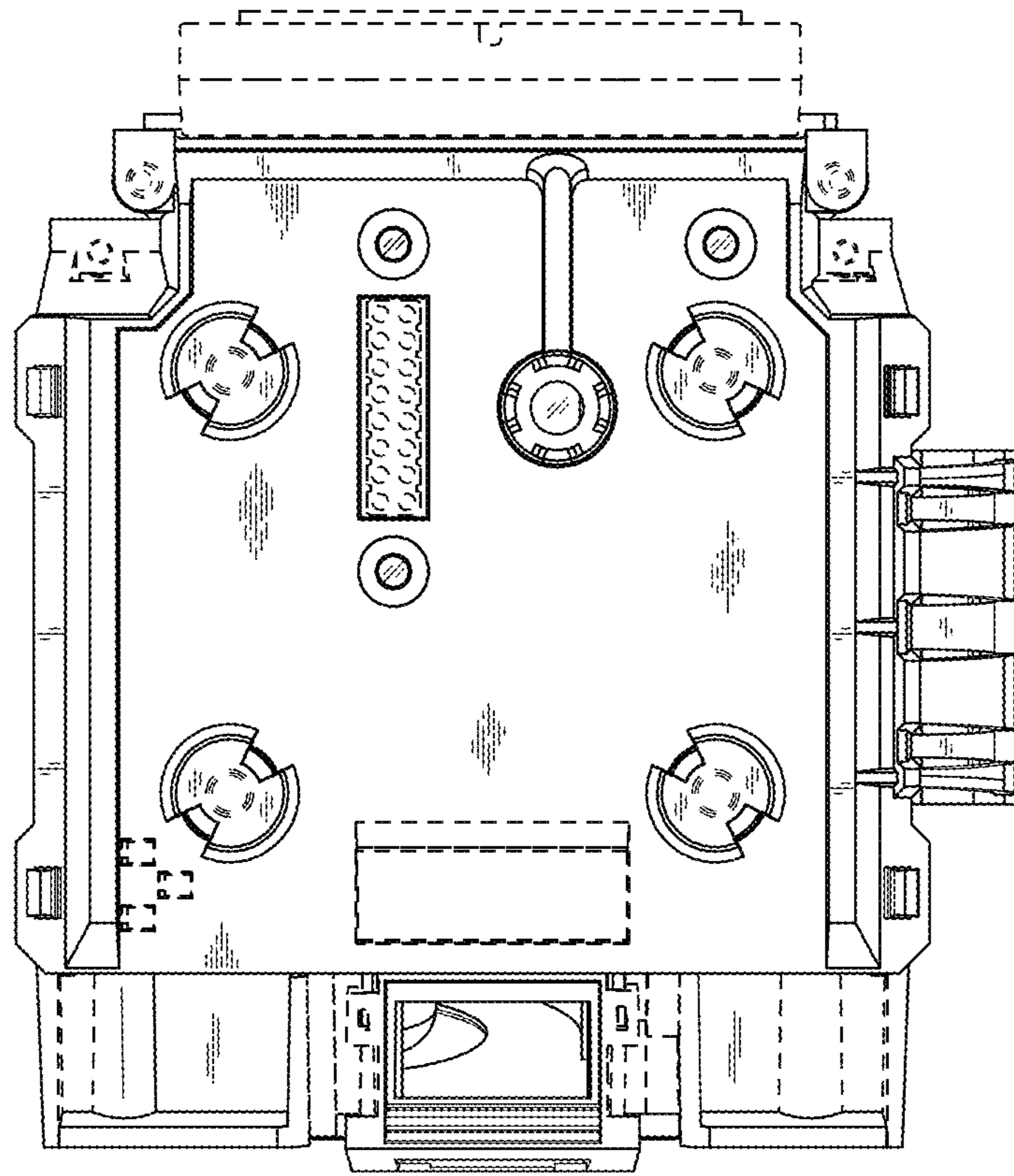


FIG. 6

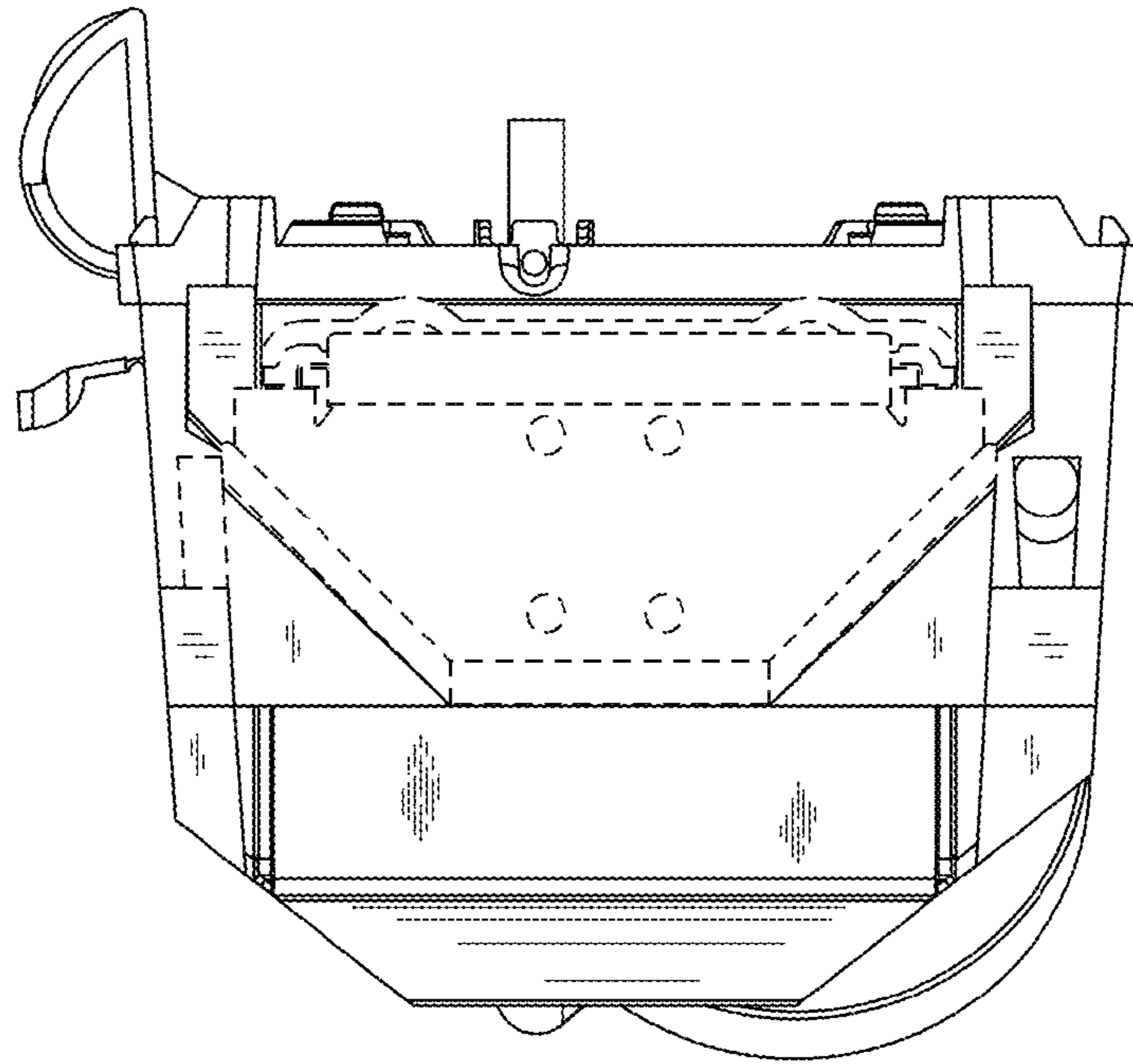


FIG. 7

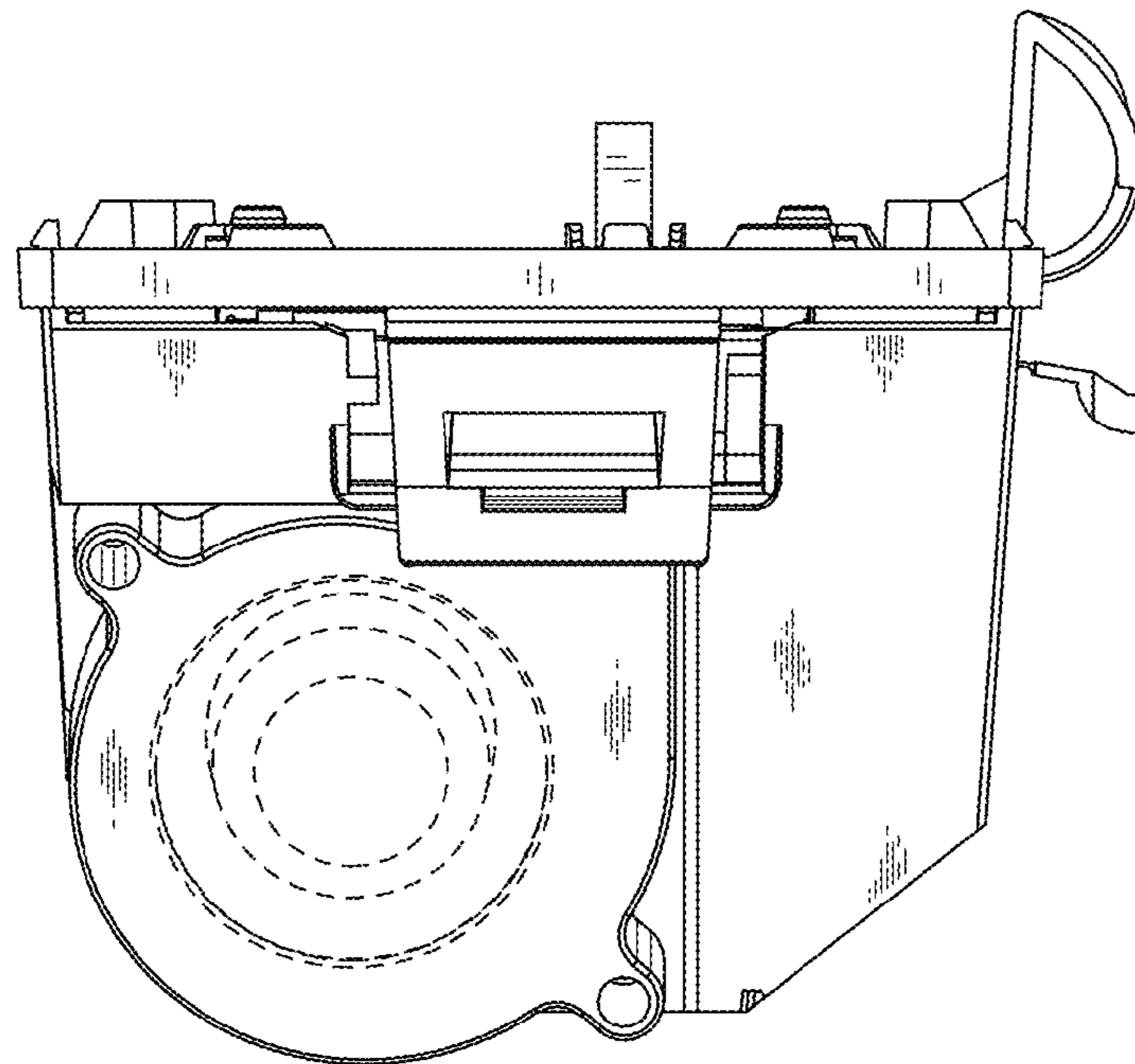


FIG. 8