



US00D749149S

(12) **United States Design Patent**  
**McAdam et al.**

(10) **Patent No.:** **US D749,149 S**

(45) **Date of Patent:** **\*\* Feb. 9, 2016**

(54) **WHEELED WORK VEHICLE CAB**

D541,825 S \* 5/2007 Pettersson ..... D15/30  
D549,245 S \* 8/2007 Antonetti ..... D15/30  
D550,722 S \* 9/2007 Doll ..... D15/23

(71) Applicant: **MULTIHOG LIMITED**, Dundalk,  
County Louth (IE)

(Continued)

(72) Inventors: **James McAdam**, Carlingford (IE);  
**Gerard McHugh**, Carrickmacross (IE);  
**Daniel Patrick Begley**, Dundalk (IE)

*Primary Examiner* — Mark Goodwin

(74) *Attorney, Agent, or Firm* — Sughrue Mion, PLLC

(73) Assignee: **Multihog Limited**, Dundalk, County  
Louth (IE)

(57) **CLAIM**

The ornamental design for a wheeled work vehicle cab, as shown and described.

(\*\*) Term: **14 Years**

**DESCRIPTION**

(21) Appl. No.: **29/512,520**

(22) Filed: **Dec. 19, 2014**

(51) **LOC (10) Cl.** ..... **15-03**

(52) **U.S. Cl.**  
USPC ..... **D15/30**

(58) **Field of Classification Search**  
USPC ..... D15/28, 30, 31, 22–26; D34/37;  
180/89.11, 89.12, 89.13, 89.19, 900  
CPC ..... B66C 13/54; E02F 9/16; E02F 9/163;  
B62D 33/0617; B60J 7/00; B60J 1/004  
See application file for complete search history.

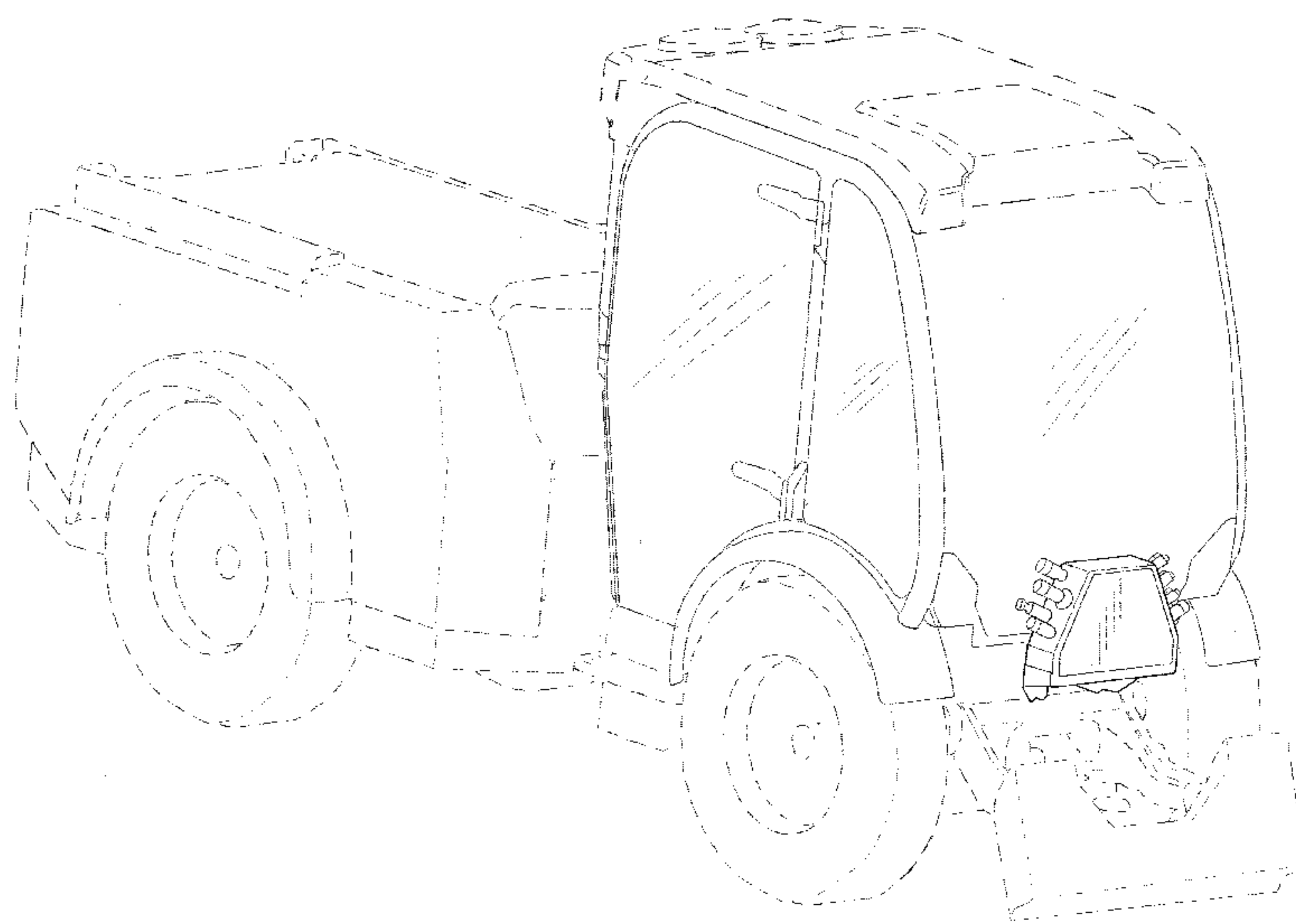
FIG. 1 is a front perspective view from the front, the top and one side of a wheeled work vehicle cab according to the design illustrated on a wheeled work vehicle, FIG. 2 is a perspective view from the rear, the top and the other side to that of FIG. 1 of the wheeled work vehicle cab of FIG. 1 illustrated on the wheeled work vehicle of FIG. 1, FIG. 3 is a front elevational view of the wheeled work vehicle cab of FIG. 1 illustrated on the wheeled work vehicle of FIG. 1, FIG. 4 is a side elevational view of the wheeled work vehicle cab of FIG. 1 illustrated on the wheeled work vehicle of FIG. 1, FIG. 5 is a side elevational view of the wheeled work vehicle cab of FIG. 1, from the other side to that of FIG. 4, illustrated on the wheeled work vehicle of FIG. 1, FIG. 6 is a rear end elevational view of the wheeled work vehicle cab of FIG. 1 illustrated on the wheeled work vehicle of FIG. 1; and, FIG. 7 is a top plan view of the wheeled work vehicle cab of FIG. 1 illustrated on the wheeled work vehicle of FIG. 1. Only those parts of the wheeled work vehicle cab and the coupler box which are illustrated in full lines form the Design the subject of the Application. The parts of the wheeled work vehicle and the cab which are illustrated in broken lines are illustrated for illustrative purposes only and form no part of the Design the subject of the Application.

(56) **References Cited**

**U.S. PATENT DOCUMENTS**

D245,697 S \* 9/1977 Skyer ..... D15/30  
D258,823 S \* 4/1981 Skyer ..... D15/30  
D274,063 S \* 5/1984 Skaff ..... D15/30  
D307,203 S \* 4/1990 Martinez ..... D15/30  
D312,827 S \* 12/1990 Boddin ..... D15/30  
D323,659 S \* 2/1992 Jacobsson ..... D15/30  
5,096,253 A \* 3/1992 Jo ..... B60J 1/04  
296/190.1  
D455,763 S \* 4/2002 Brandenburg, III ..... D15/30  
D471,213 S \* 3/2003 Kwak ..... D15/30  
D479,536 S \* 9/2003 Dahl ..... D15/30  
D528,134 S \* 9/2006 Vandendriessche ..... D15/30  
D531,646 S \* 11/2006 McCarren, Jr. .... D15/30

**1 Claim, 7 Drawing Sheets**



(56)

**References Cited**

U.S. PATENT DOCUMENTS

D561,205 S *	2/2008	Pettersson .....	D15/30	D642,205 S *	7/2011	Yamamoto .....	D15/30
D579,028 S *	10/2008	VanDeVeer .....	D15/30	D653,173 S *	1/2012	Dolesh .....	D12/96
D594,480 S *	6/2009	Gicquel .....	D15/30	D654,400 S *	2/2012	Dolesh .....	D12/96
D603,881 S *	11/2009	Tamplain, III .....	D15/30	D660,881 S *	5/2012	Bohme .....	D15/30
D605,207 S *	12/2009	Menges .....	D15/30	D661,321 S *	6/2012	Bohme .....	D15/22
D625,741 S *	10/2010	Seidel .....	D15/30	D667,851 S *	9/2012	Warr .....	D15/30
D635,156 S *	3/2011	Berning .....	D15/30	D668,693 S *	10/2012	Ringer .....	D15/30
D637,630 S *	5/2011	Yamamoto .....	D15/30	D670,745 S *	11/2012	Warr .....	D15/30
				D671,566 S *	11/2012	Fang .....	D15/30
				D678,360 S *	3/2013	Kozai .....	D15/30
				D687,868 S *	8/2013	Watson .....	D15/30

\* cited by examiner

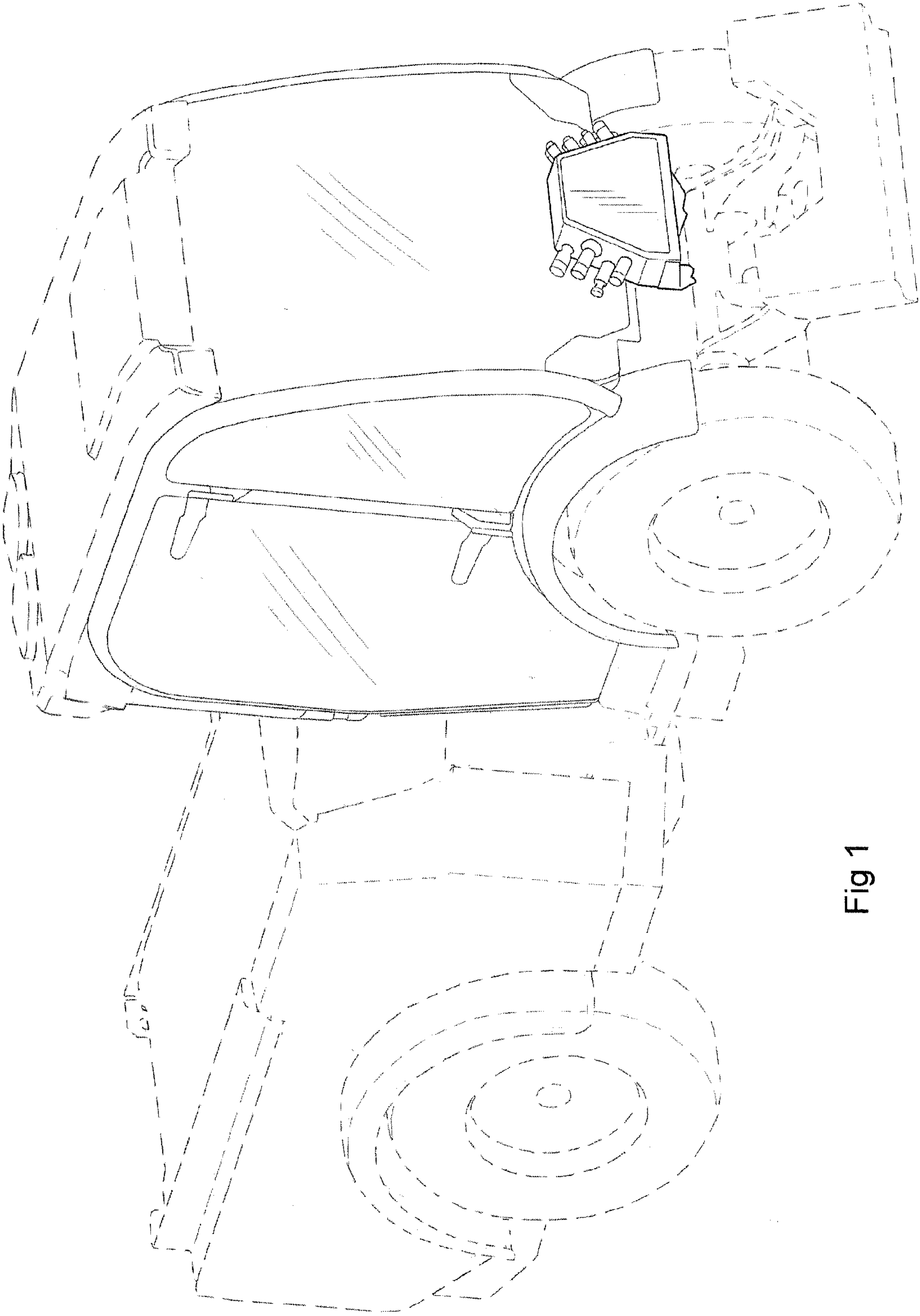


Fig 1

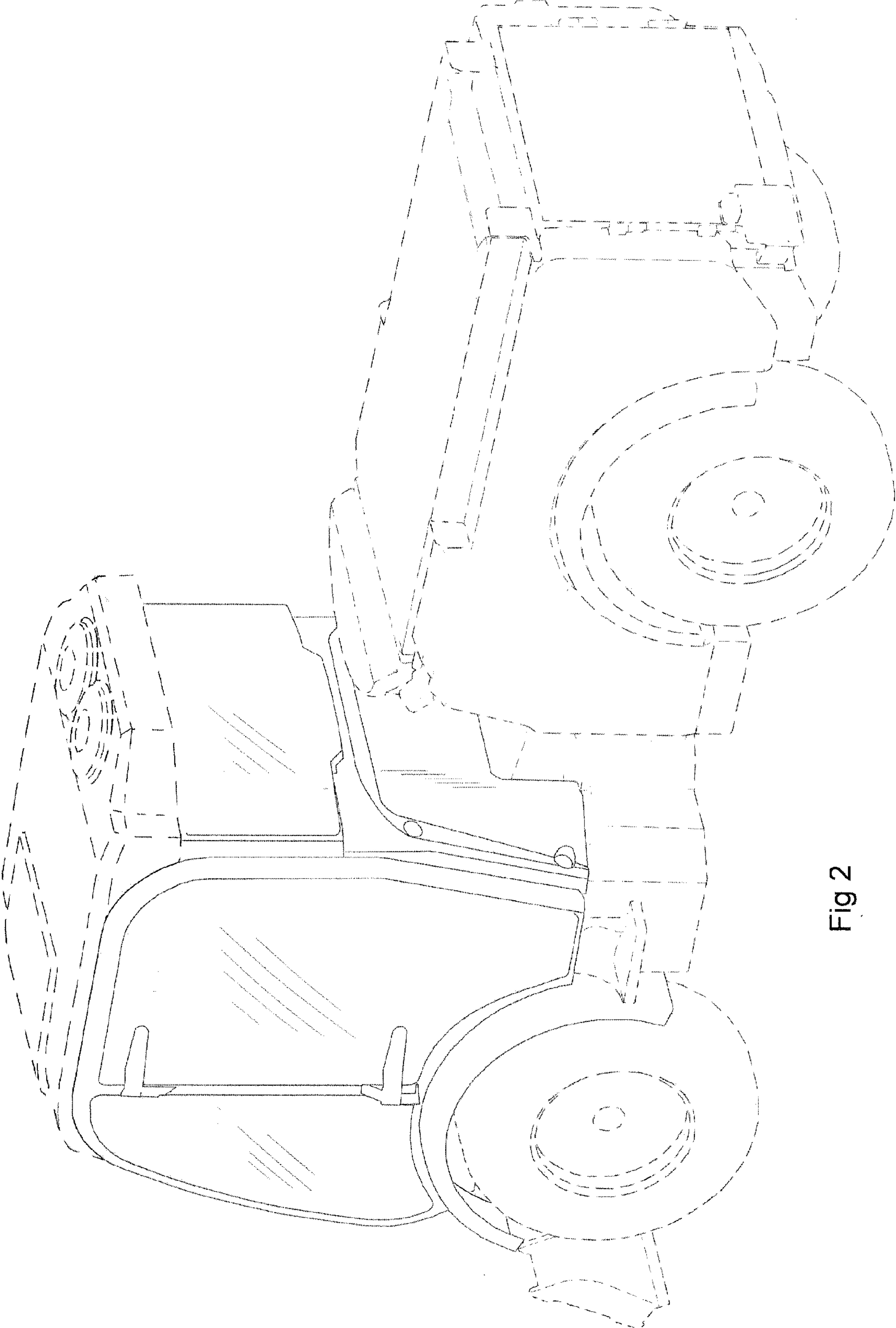


Fig 2



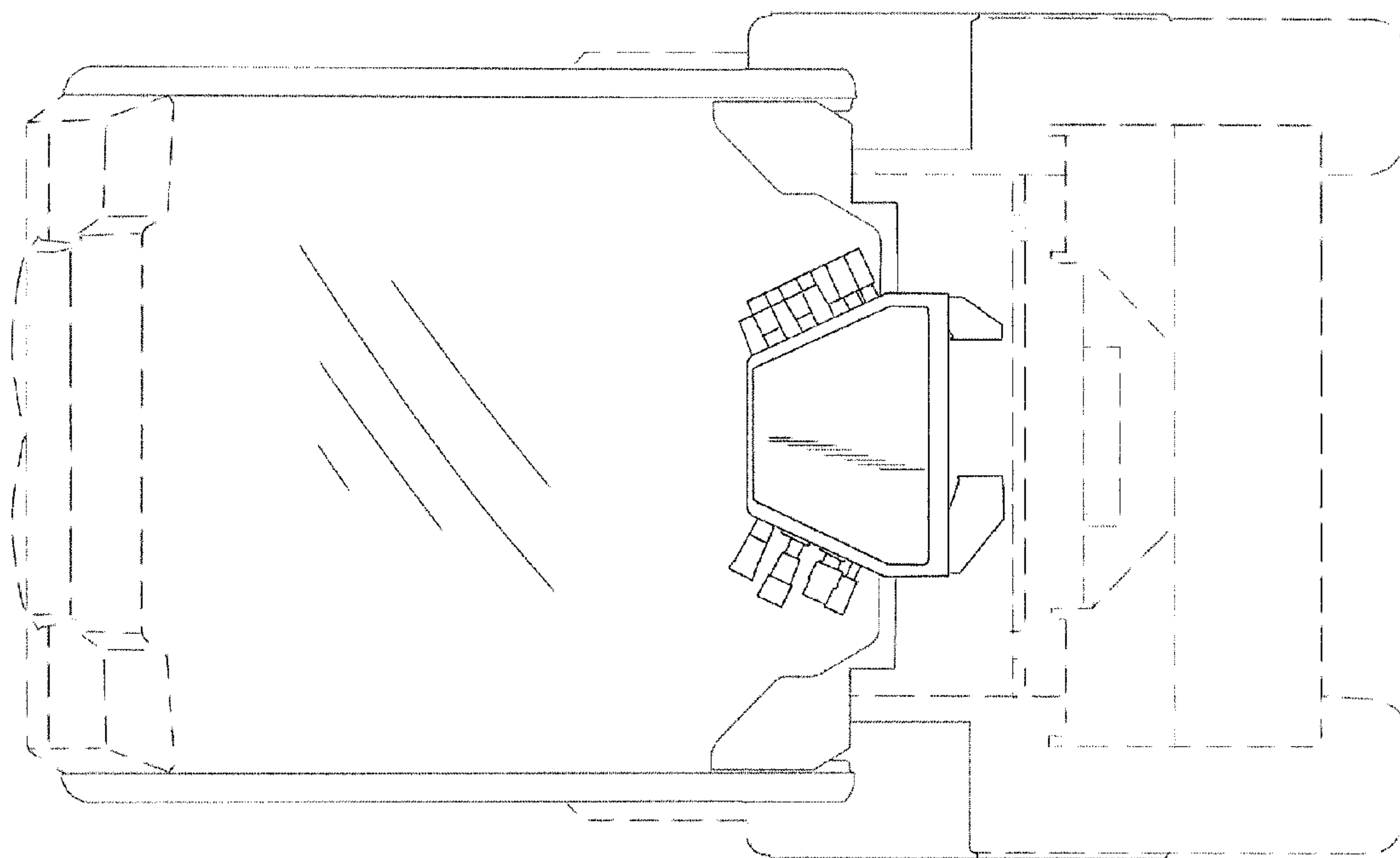


Fig 3

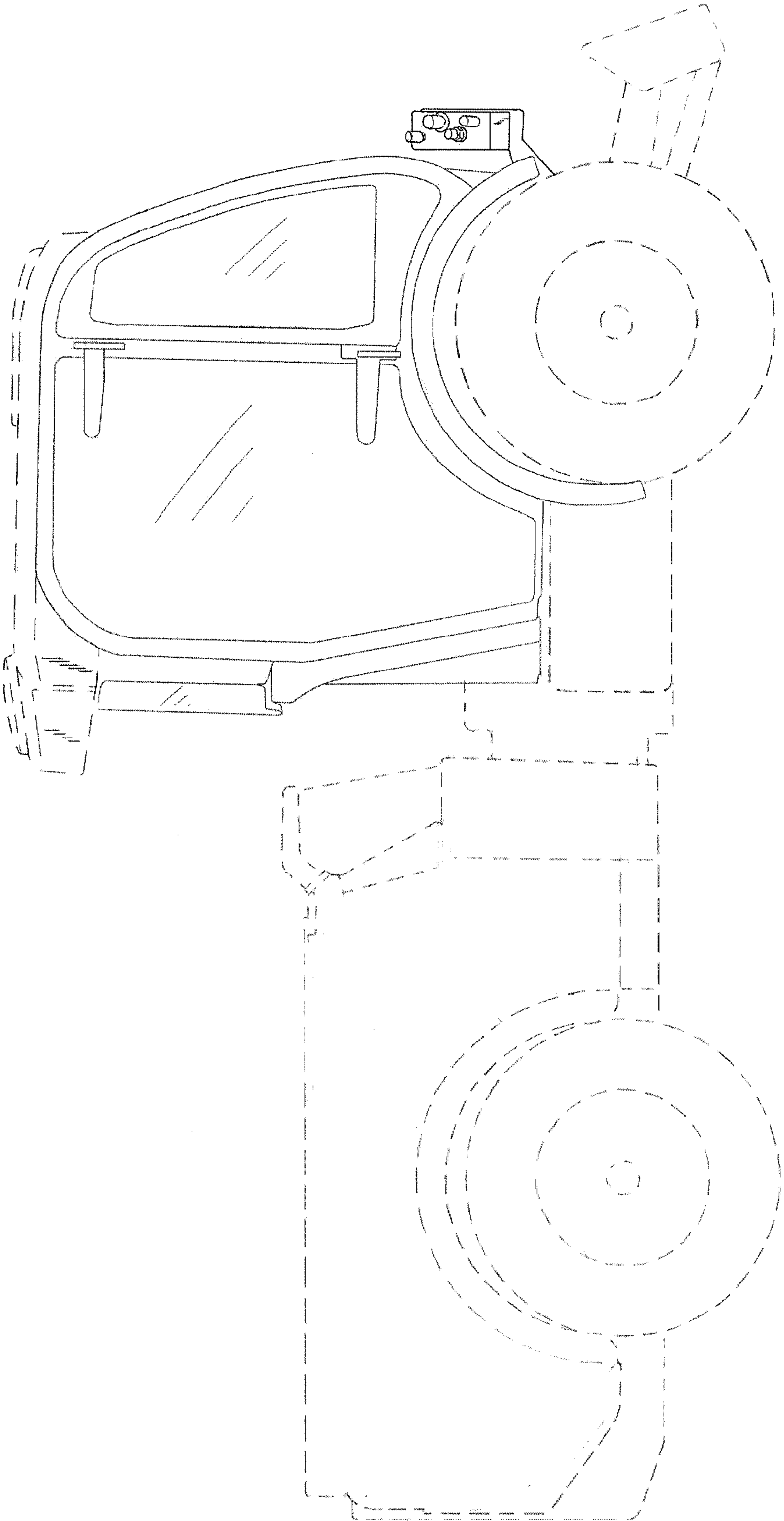


Fig 4

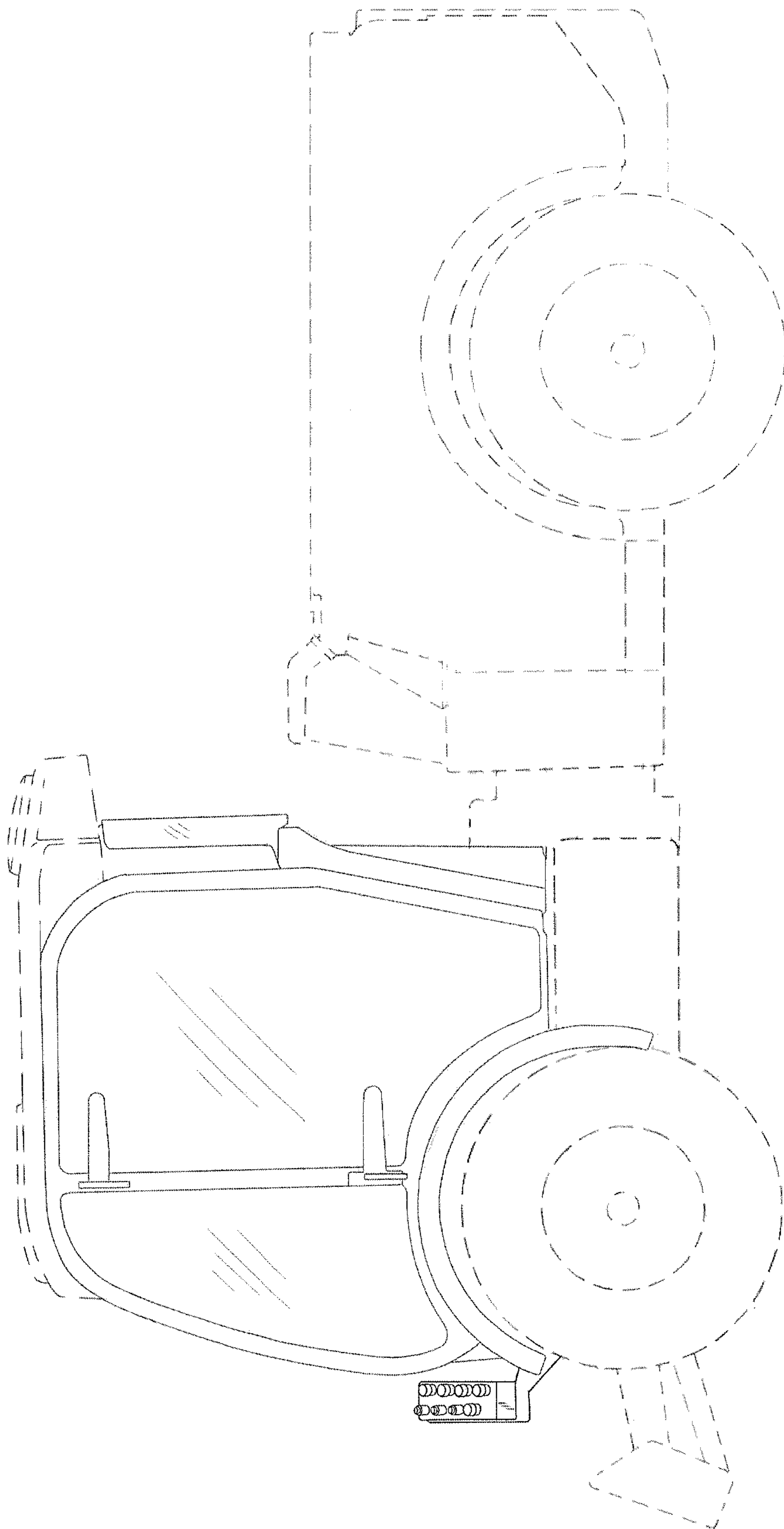


Fig 5

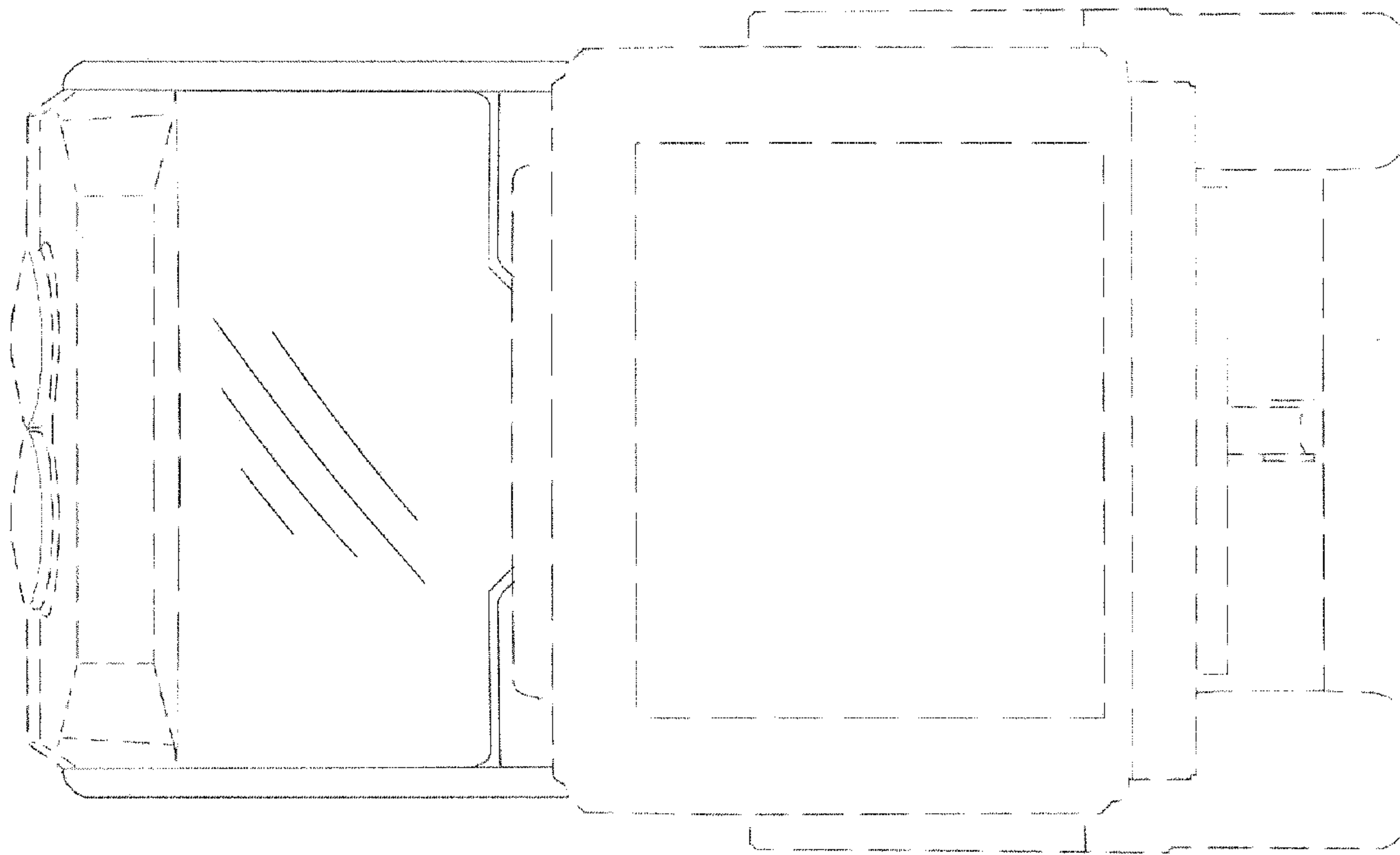


Fig 6



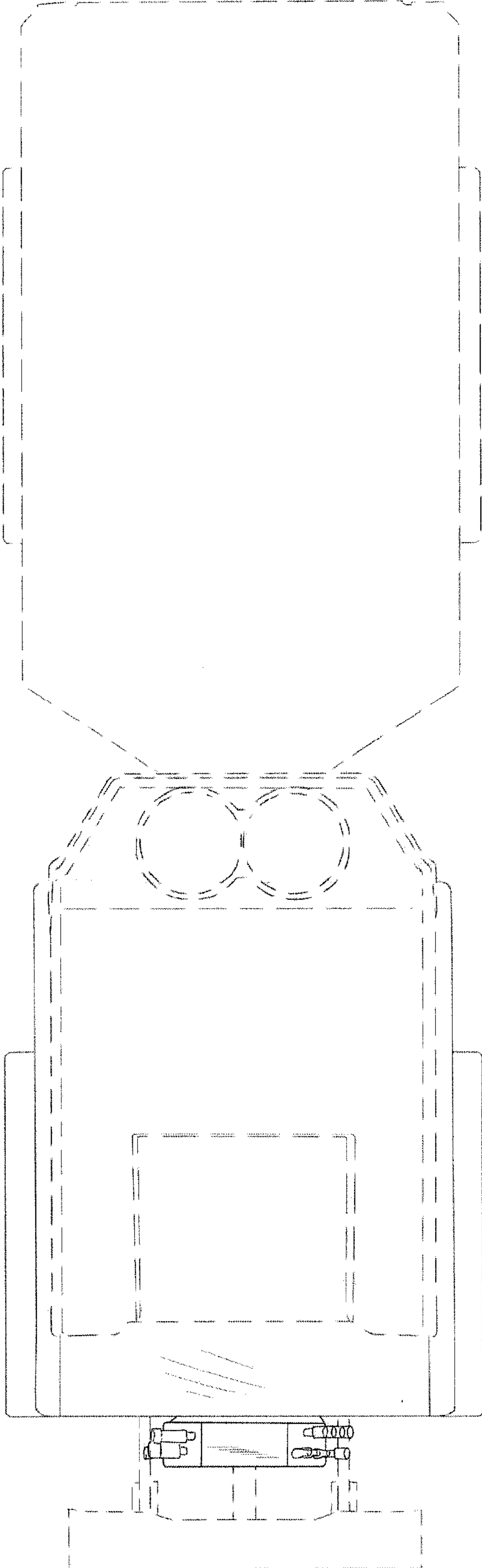


Fig 7