



US00D749148S

(12) **United States Design Patent**
Darekar et al.

(10) **Patent No.:** **US D749,148 S**
(45) **Date of Patent:** **** Feb. 9, 2016**

(54) **TRACTOR CAB**
(71) Applicant: **MAHINDRA & MAHINDRA LIMITED**, Mumbai (IN)
(72) Inventors: **Sudhir Satyavijay Darekar**, Kancheepuram (IN); **Navin Chandra Sati**, Kancheepuram (IN); **Jagadeesan Chellan**, Kancheepuram (IN); **Vamsee K Maddukuri**, Kancheepuram (IN)
(73) Assignee: **MAHINDRA & MAHINDRA LIMITED**, Mumbai (IN)
(**) Term: **14 Years**

D528,134 S *	9/2006	Vandendriessche et al. ..	D15/30
D531,646 S *	11/2006	McCarren et al.	D15/30
D531,647 S *	11/2006	Stender et al.	D15/30
D535,310 S *	1/2007	Kuwae et al.	D15/30
D596,204 S *	7/2009	Kuwae et al.	D15/30
D603,881 S *	11/2009	Tamplain et al.	D15/30
D660,881 S *	5/2012	Bohme et al.	D15/30
D668,693 S *	10/2012	Ringer	D15/30
D671,566 S *	11/2012	Fang et al.	D15/30
D674,411 S *	1/2013	Masumoto et al.	D15/30
D674,820 S *	1/2013	Budde	D15/30
D674,821 S *	1/2013	Budde	D15/30
D686,643 S *	7/2013	Kinoshita et al.	D15/30
D702,264 S *	4/2014	Huissoon et al.	D15/30
D705,276 S *	5/2014	Furuki et al.	D15/30
D714,837 S *	10/2014	Jacobsthal et al.	D15/30
D721,742 S *	1/2015	Lee et al.	D15/30

* cited by examiner

(21) Appl. No.: **29/504,310**
(22) Filed: **Oct. 3, 2014**

Primary Examiner — Mitchell Siegel
(74) *Attorney, Agent, or Firm* — Ladas & Parry LLP

(30) **Foreign Application Priority Data**
Apr. 3, 2014 (IN) 261519
(51) **LOC (10) Cl.** **15-03**
(52) **U.S. Cl.**
USPC **D15/30**
(58) **Field of Classification Search**
USPC D15/10, 14–17, 22–26, 28, 30, 31
CPC B62D 49/00–49/085; B62D 33/06–33/073;
B60J 5/0487
See application file for complete search history.

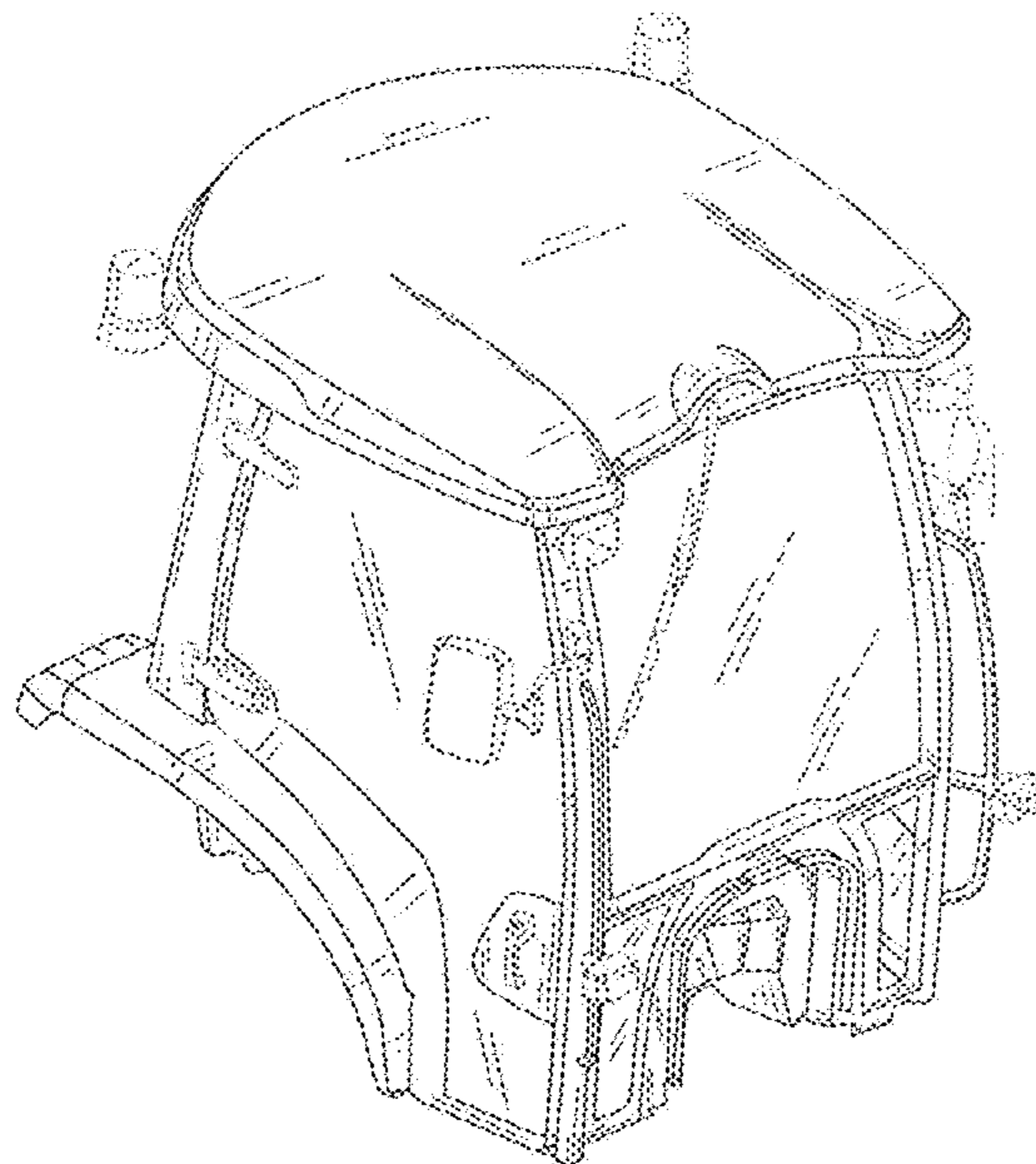
(57) **CLAIM**
The ornamental design for a tractor cab, as shown and described.

(56) **References Cited**
U.S. PATENT DOCUMENTS
D142,761 S * 10/1945 Zeiler D15/30
D275,199 S * 8/1984 Schmidt et al. D15/30
D321,517 S * 11/1991 Katoh et al. D15/30

DESCRIPTION

FIG. 1 is a perspective view from the front, top, and left side of the tractor cab embodying our new design;
FIG. 2 is a front elevational view thereof;
FIG. 3 is a rear elevational view thereof;
FIG. 4 is a right side elevational view thereof;
FIG. 5 is a left side elevational view thereof;
FIG. 6 is a top plan view thereof; and,
FIG. 7 is a bottom plan view thereof.
The broken lines in the drawings are by way of illustration only and form no part of the claimed design.

1 Claim, 7 Drawing Sheets



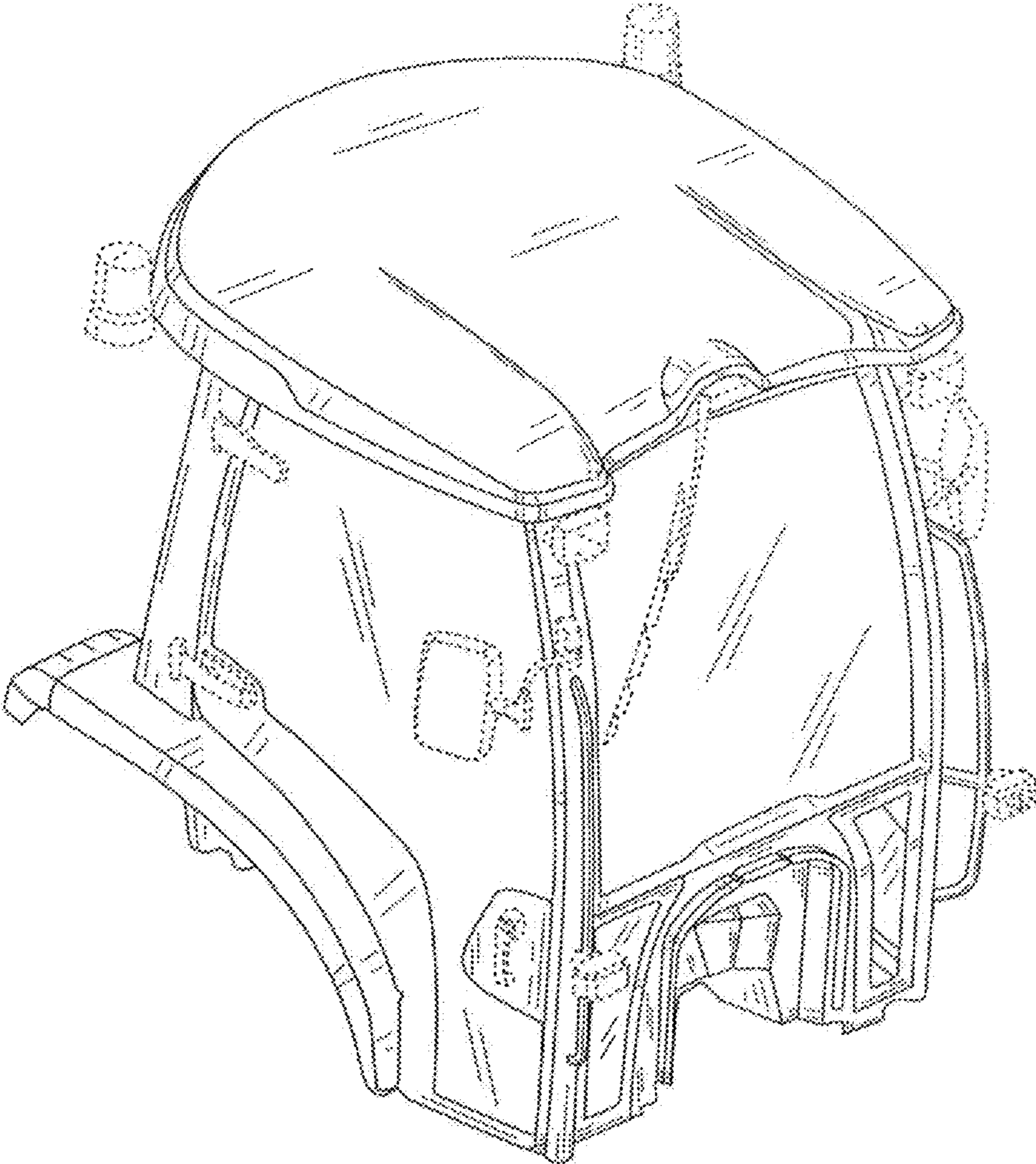


FIG. 1

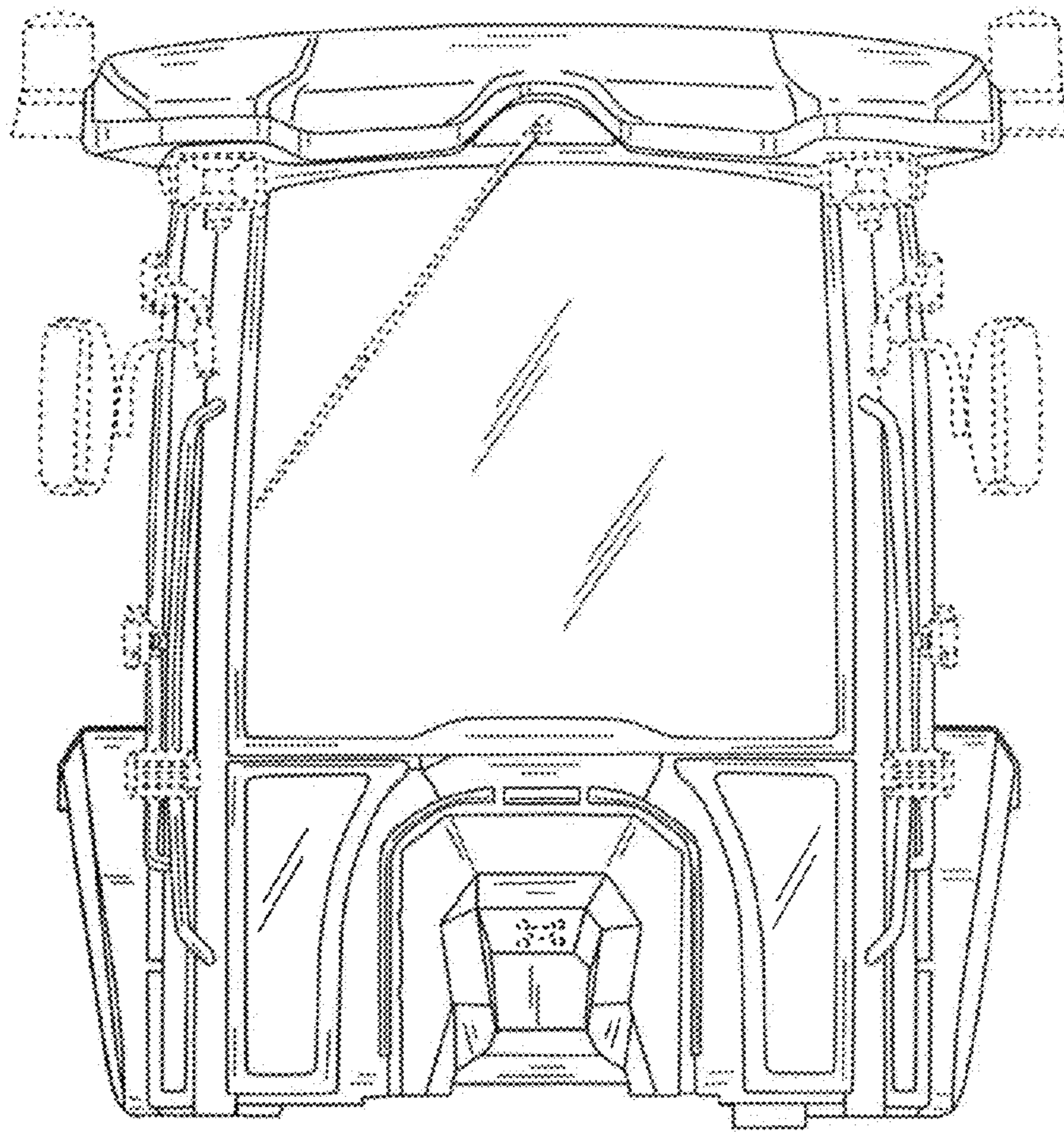


FIG. 2

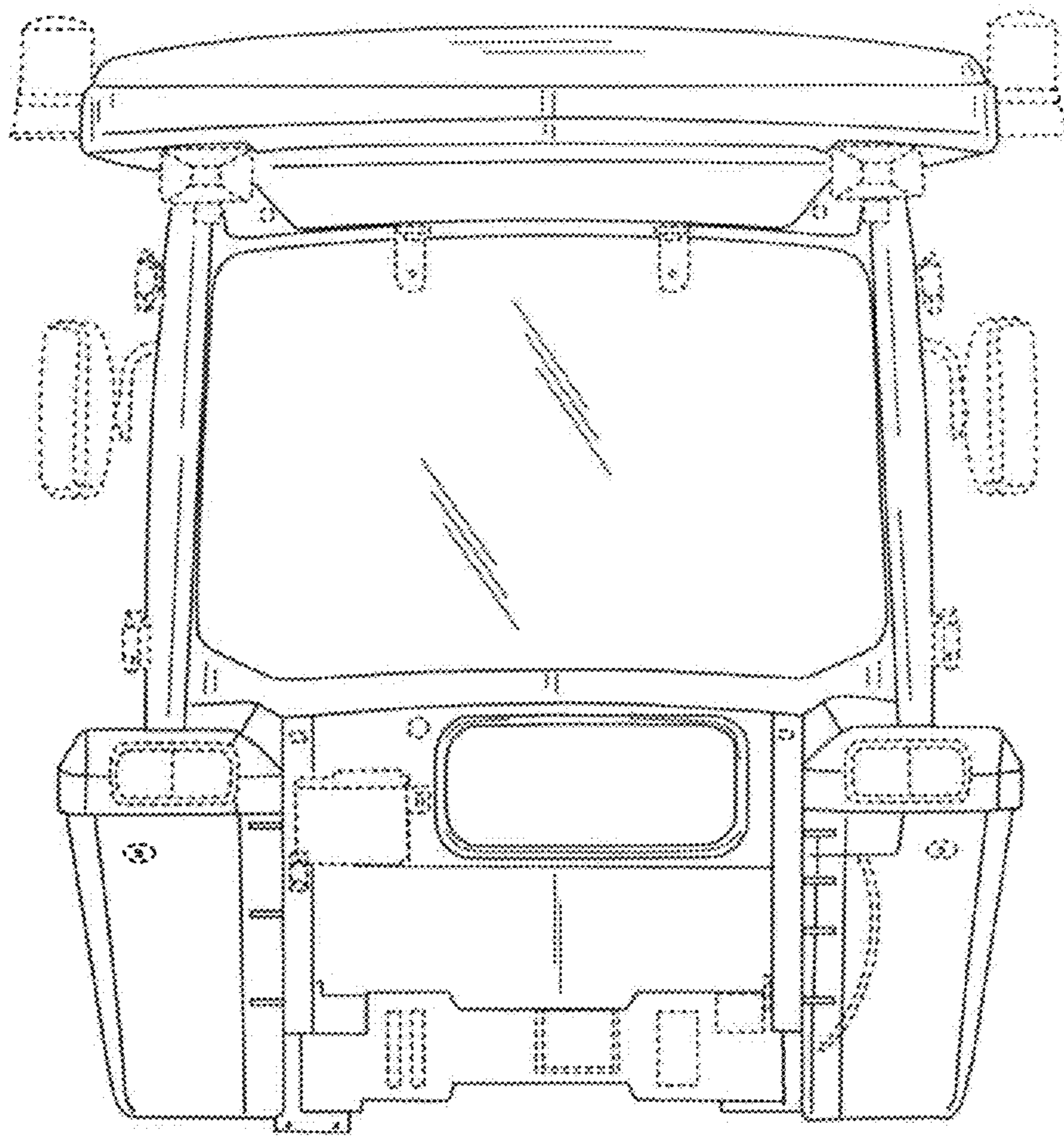


FIG. 3

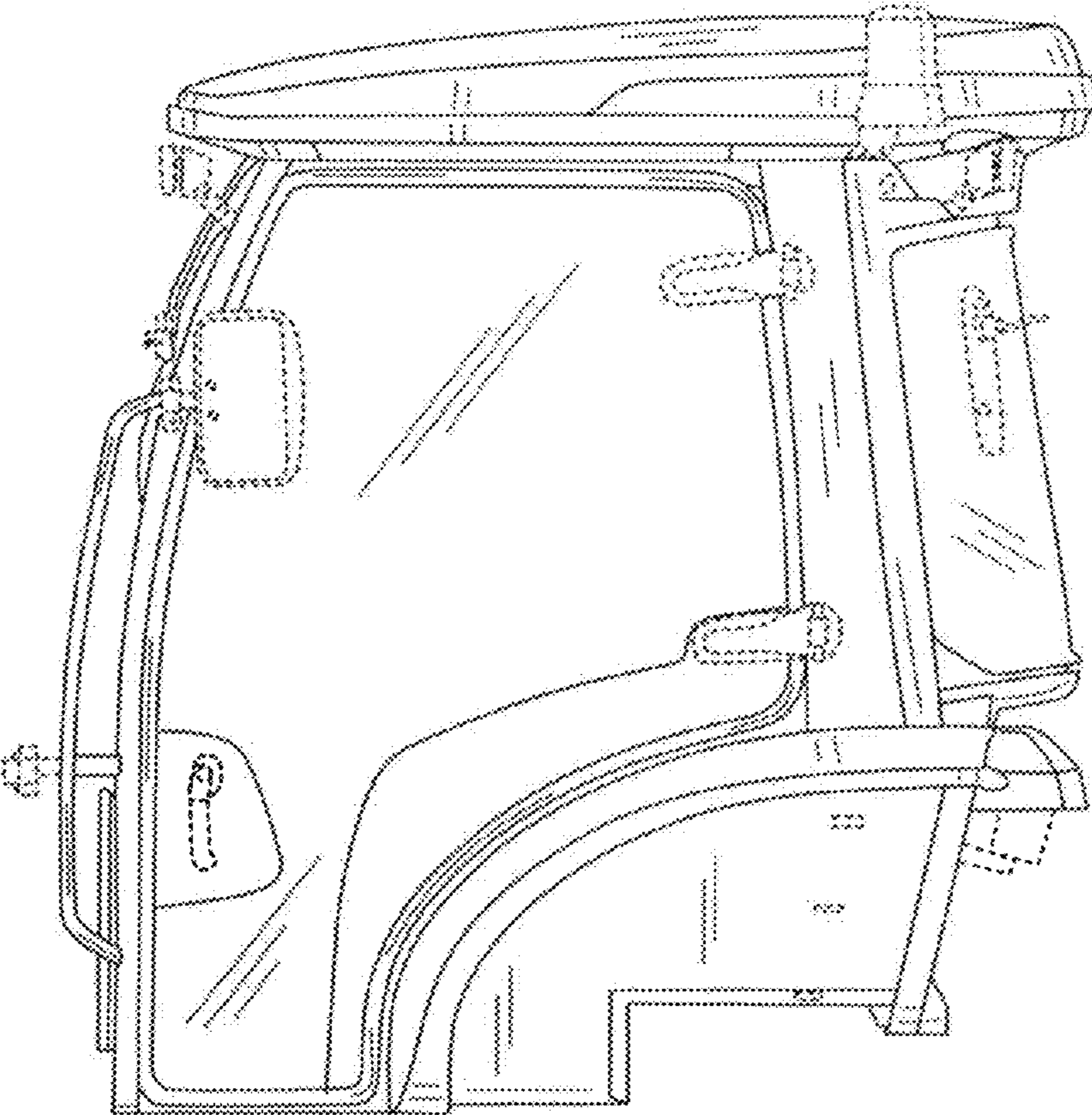


FIG. 4

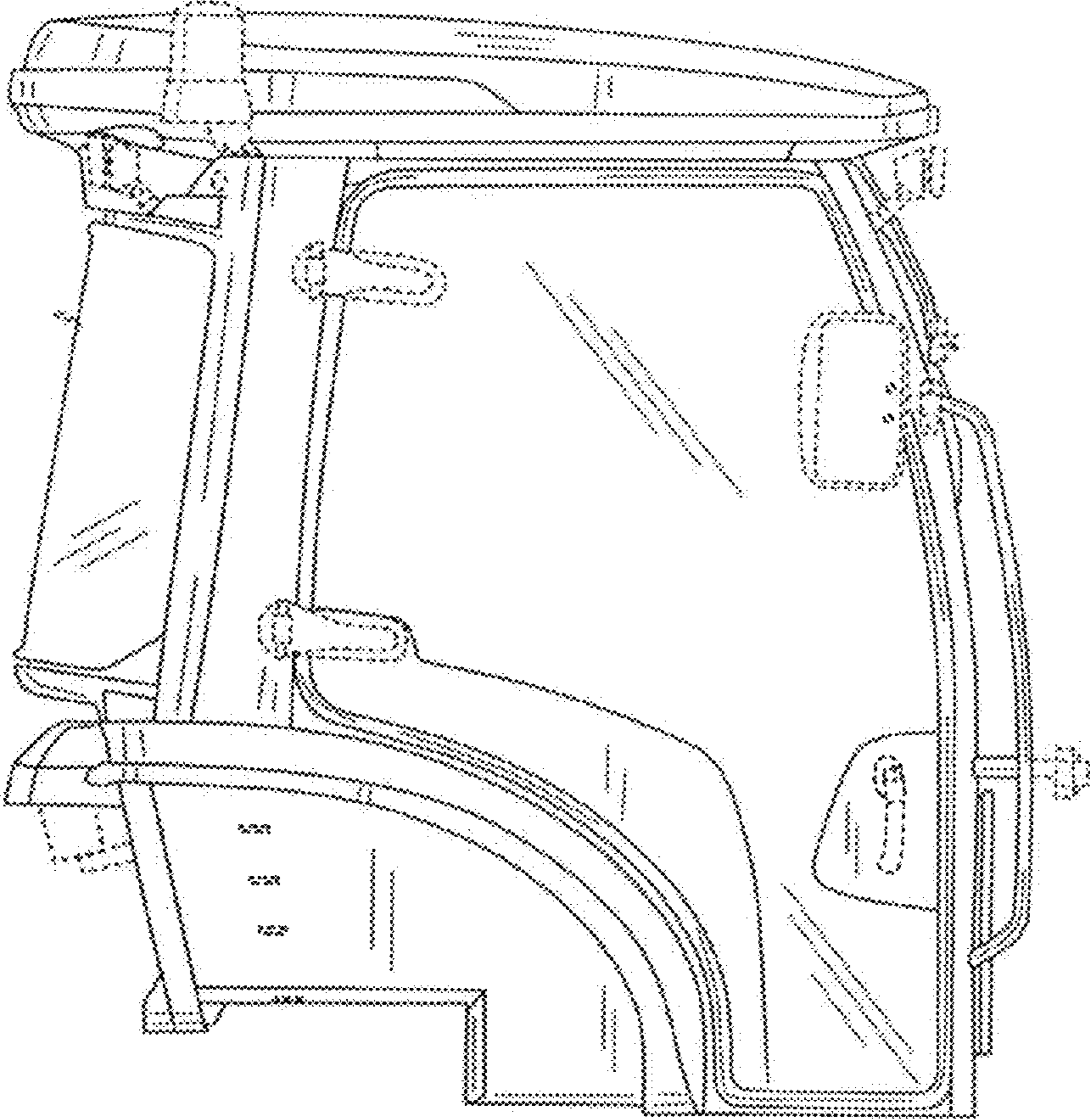


FIG. 5

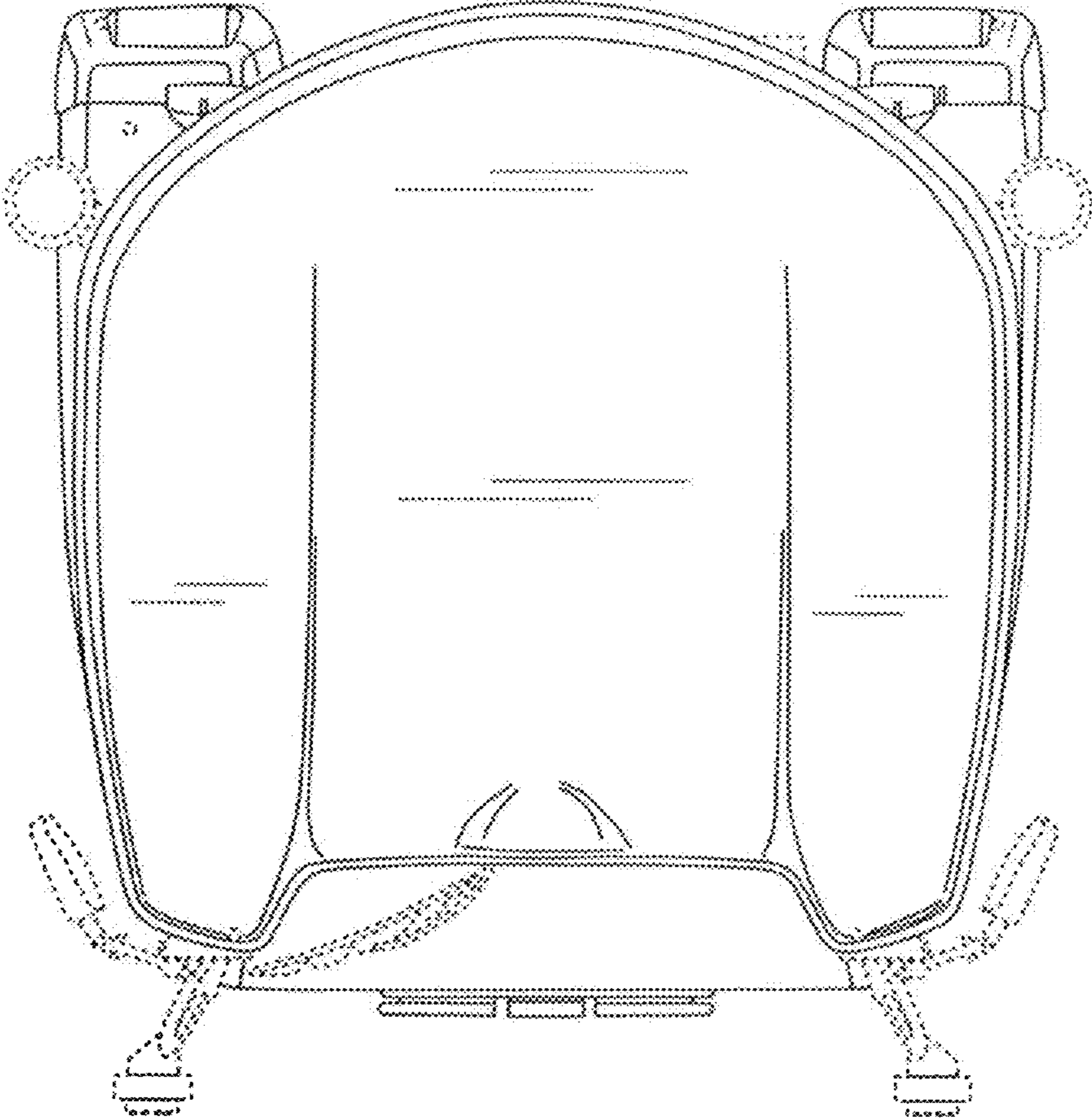


FIG. 6

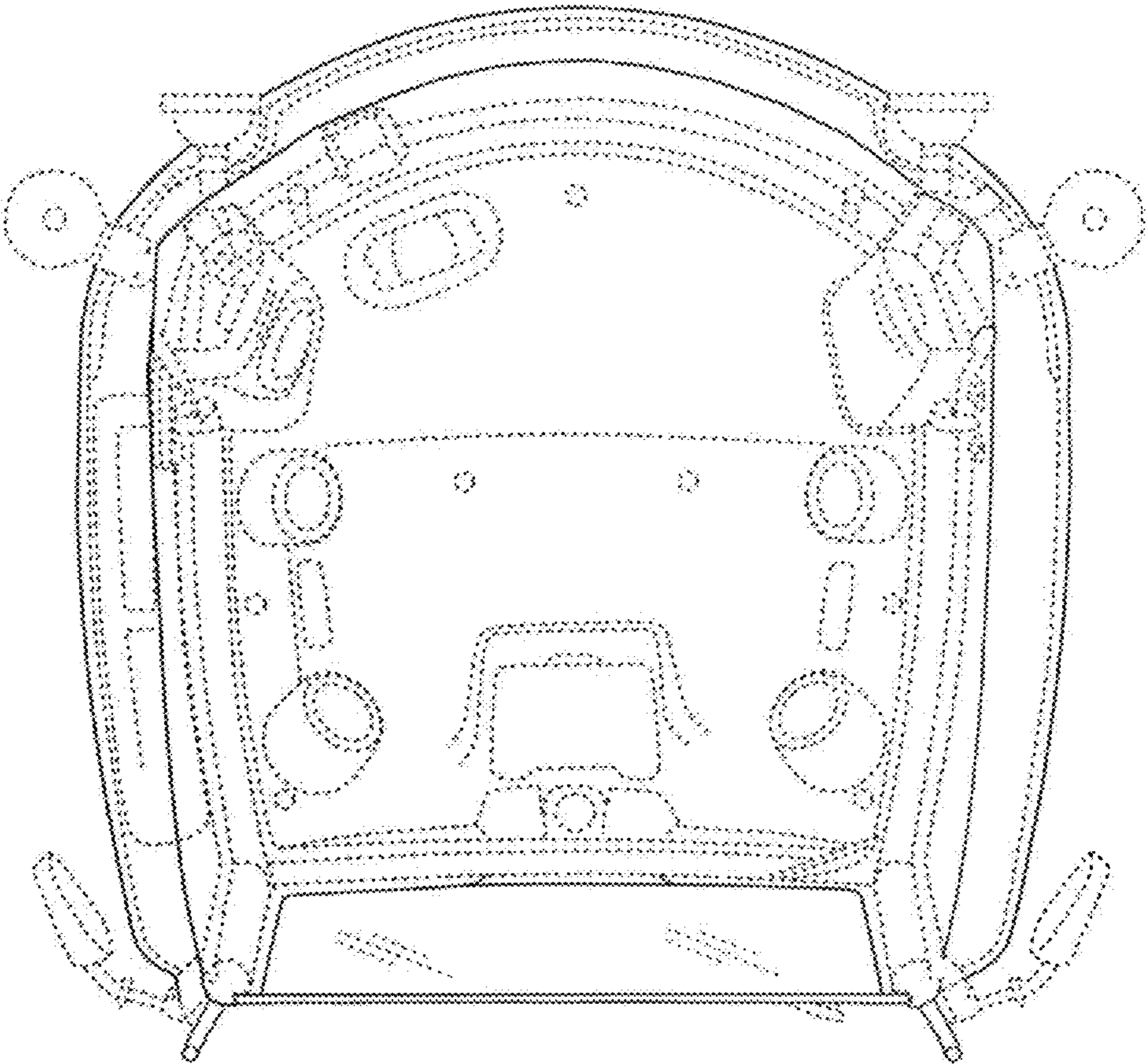


FIG. 7