



US00D749147S

(12) **United States Design Patent**
Kunz

(10) **Patent No.:** **US D749,147 S**

(45) **Date of Patent:** **** Feb. 9, 2016**

(54) **TIP FOR A GROUND ENGAGING MACHINE IMPLEMENT**

(71) Applicant: **Caterpillar Inc.**, Peoria, IL (US)

(72) Inventor: **Phillip J. Kunz**, Morton, IL (US)

(73) Assignee: **Caterpillar Inc.**, Peoria, IL (US)

(**) Term: **14 Years**

(21) Appl. No.: **29/519,223**

(22) Filed: **Mar. 3, 2015**

Related U.S. Application Data

(63) Continuation of application No. 29/462,285, filed on Aug. 1, 2013, now Pat. No. Des. 728,637.

(51) **LOC (10) Cl.** **15-03**

(52) **U.S. Cl.**
USPC **D15/29; D15/28**

(58) **Field of Classification Search**
USPC D15/11, 28, 29; 37/456, 452, 450, 446, 37/454, 449, 453, 455, 903; 403/379.5, 403/DIG. 1; 111/152; 172/724, 730, 766, 172/770, 771, 721, 713, 699, 772
CPC Y10T 29/49826; Y10T 403/589; Y10T 403/7018; Y10T 403/7075; E02F 9/28; E02F 9/2825; E02F 9/2833; E02F 9/2866; E02F 9/2858; E02F 9/2808; E02F 9/2841
See application file for complete search history.

(56) **References Cited**

U.S. PATENT DOCUMENTS

1,220,186 A	3/1917	Chambers
1,384,701 A	7/1921	McMonegal
1,571,782 A	2/1926	Andrews
1,856,930 A	5/1932	Robin
2,427,651 A	9/1947	Baer
D182,143 S	2/1958	Petersen
2,982,035 A	5/1961	Stephenson
3,019,537 A	2/1962	Stephenson

(Continued)

FOREIGN PATENT DOCUMENTS

CL	2068-1995	10/1996
CL	391-1998	11/1998

(Continued)

OTHER PUBLICATIONS

Caterpillar Inc., Cat® K Series™ Tooth Systems, brochure (4 pages), 2006.

Hensley Industries, Inc., Extreme Service™, Specification Guide, Mining Teeth and Adapters, (XS85-XS342 Series, TS922-TS1222 Series, XSC12 and XSC127, Mar. 2011, (31 pages).

ESCO® Corp., Nemisys®, Mining Lip System, © 2013 (5 pages).
ESCO® Corp., ESCO Posilok® Plus Mining Tooth System, © 2009 (4 pages).

Primary Examiner — Mark Goodwin

(74) Attorney, Agent, or Firm — Saidman DesignLaw Group, LLC

(57) **CLAIM**

The ornamental design for a tip for a ground engaging machine implement, as shown and described.

DESCRIPTION

FIG. 1 is an upper, right-side perspective view of a tip for a ground engaging machine implement showing my new design;

FIG. 2 is a front view thereof;

FIG. 3 is a rear view thereof;

FIG. 4 is a right side view thereof, the left side view being a mirror image thereof;

FIG. 5 is a top view thereof;

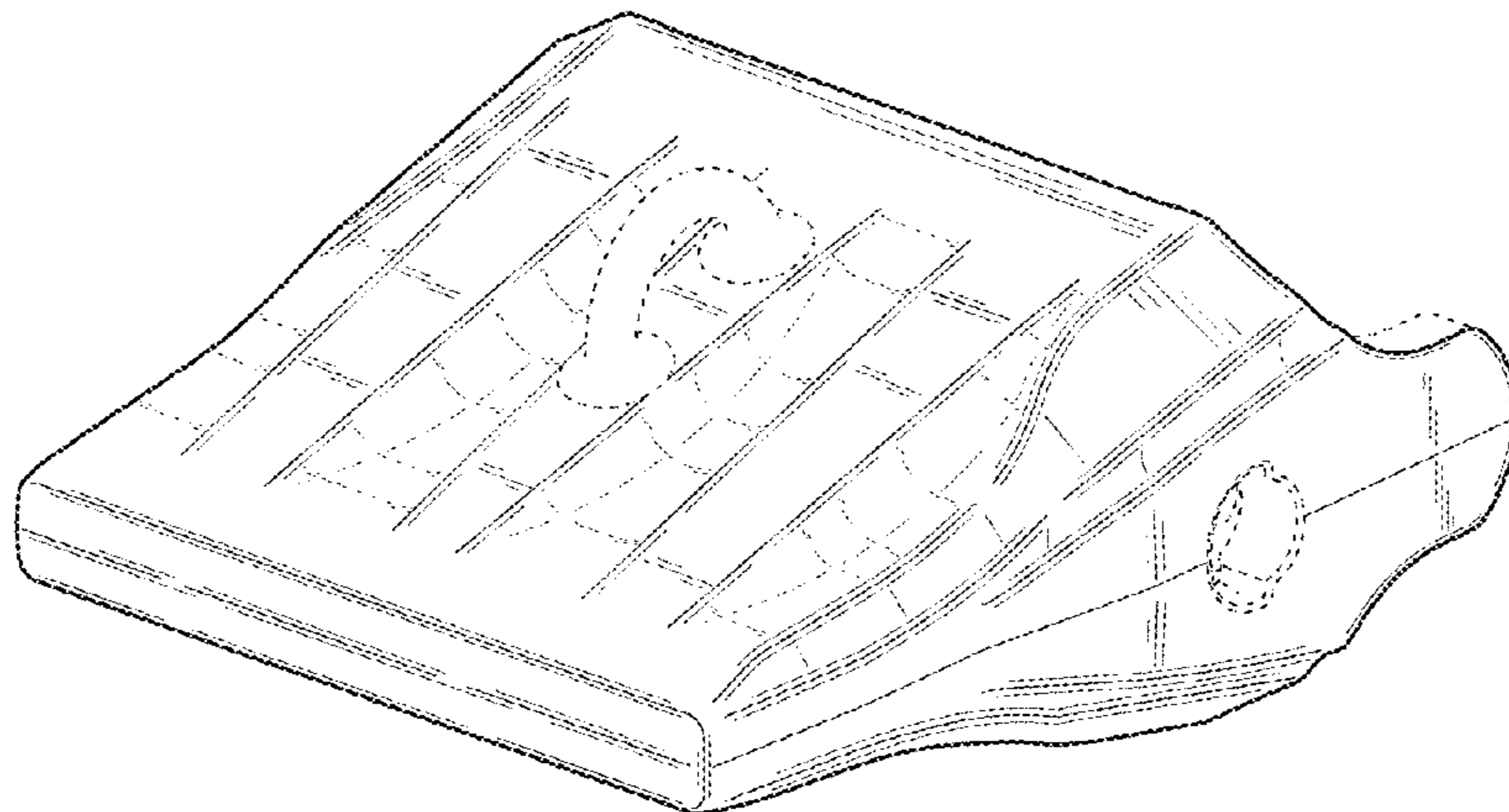
FIG. 6 is a bottom view thereof; and,

FIG. 7 is a bottom, right side perspective view thereof.

The relatively light and dark shade lines indicate contour and not surface decoration.

The dashed broken lines are for the purpose of illustrating portions of the tip of a ground engaging machine implement and form no part of the claimed design.

1 Claim, 5 Drawing Sheets



(56)

References Cited

U.S. PATENT DOCUMENTS

3,312,004 A 4/1967 Johnson
 3,623,247 A 11/1971 Stepe
 3,774,324 A 11/1973 Lafond
 3,823,496 A 7/1974 Querci et al.
 3,832,077 A 8/1974 Von Mehren
 3,967,399 A 7/1976 Heinold et al.
 4,052,802 A 10/1977 Moen et al.
 4,086,966 A 5/1978 Lanz et al.
 4,128,132 A 12/1978 Moen et al.
 4,182,057 A 1/1980 Klett et al.
 4,231,173 A 11/1980 Davis
 4,516,340 A 5/1985 Launder
 4,761,900 A 8/1988 Emrich
 4,776,113 A 10/1988 Bedford et al.
 4,848,013 A 7/1989 Bowman et al.
 4,918,843 A 4/1990 Kiesewetter et al.
 4,965,945 A 10/1990 Emrich
 5,205,057 A 4/1993 Garman
 D336,476 S 6/1993 Garman
 D339,592 S 9/1993 Johansson
 5,272,824 A 12/1993 Cornelius
 5,386,653 A 2/1995 Cornelius
 5,423,138 A 6/1995 Livesay et al.
 D365,577 S 12/1995 Ruvang
 5,561,925 A 10/1996 Livesay
 5,634,285 A 6/1997 Renski
 5,709,043 A 1/1998 Jones et al.
 D391,583 S 3/1998 Moreno
 5,743,033 A 4/1998 Gegel
 5,806,216 A 9/1998 Renski
 D399,511 S 10/1998 Launder et al.
 5,896,911 A 4/1999 Gegel
 D413,338 S 8/1999 Pueyo Molina
 5,937,550 A 8/1999 Emrich
 D414,193 S 9/1999 Launder et al.
 5,983,534 A 11/1999 Robinson et al.
 5,992,063 A 11/1999 Mack
 6,085,448 A 7/2000 Gale et al.
 6,092,958 A 7/2000 Gale
 6,145,224 A 11/2000 Stickling
 6,321,471 B2 11/2001 Fernandez Muñoz et al.
 D454,891 S 3/2002 Ketting et al.
 D458,614 S 6/2002 Esterhuysen et al.
 D460,464 S 7/2002 Ketting et al.
 D461,832 S 8/2002 Ketting et al.
 6,457,269 B1 10/2002 Esterhuysen et al.
 6,477,796 B1 11/2002 Cornelius
 6,766,602 B2 7/2004 Cox et al.
 6,865,828 B1 3/2005 Molino et al.
 6,871,426 B2 3/2005 Keech et al.
 7,100,315 B2 9/2006 Carpenter et al.
 7,219,454 B2 5/2007 Maher
 D552,632 S 10/2007 De Martiis
 D560,232 S 1/2008 De Martiis
 7,762,015 B2 7/2010 Smith et al.
 D624,943 S 10/2010 Gibbon
 8,117,772 B2 2/2012 Harder et al.
 8,122,622 B2 2/2012 Smith et al.
 8,127,475 B2 3/2012 Harder et al.
 8,170,756 B2 5/2012 Morey et al.
 8,229,631 B2 7/2012 Morey et al.
 8,393,097 B2 3/2013 Harder et al.
 D706,307 S 6/2014 Renski et al.
 D706,311 S 6/2014 Renski et al.
 D706,312 S 6/2014 Renski et al.
 D706,839 S 6/2014 Renski et al.
 D706,840 S 6/2014 Renski et al.
 D707,263 S 6/2014 Renski et al.
 D707,264 S 6/2014 Renski et al.
 D727,367 S 4/2015 Renski et al.
 D727,368 S 4/2015 Renski et al.
 D727,369 S 4/2015 Renski et al.
 D727,979 S 4/2015 Renski et al.
 D727,980 S 4/2015 Renski et al.
 D727,981 S 4/2015 Renski et al.

D727,982 S 4/2015 Renski et al.
 D728,635 S 5/2015 Kunz
 D728,636 S 5/2015 Kunz
 2002/0195259 A1 12/2002 Satzler
 2004/0010949 A1 1/2004 Laguarda et al.
 2007/0204490 A1 9/2007 Jones et al.
 2008/0148608 A1 6/2008 Harder et al.
 2008/0201997 A1 8/2008 Armstrong
 2009/0282711 A1 11/2009 Naher et al.
 2011/0035970 A1 2/2011 Smith et al.
 2011/0035971 A1 2/2011 Smith et al.
 2011/0035972 A1 2/2011 Harder et al.
 2012/0186113 A1 7/2012 Harder et al.
 2012/0210612 A1 8/2012 Harder et al.
 2012/0297649 A1 11/2012 Gomar
 2015/0033596 A1 2/2015 Kunz

FOREIGN PATENT DOCUMENTS

CL 1193-1999 9/1999
 CL 223-1999 11/1999
 CL 1457-1999 11/1999
 CL 1583-1999 6/2000
 CL 2671-2005 7/2006
 CL 3115-2005 9/2006
 CL 3116-2005 9/2006
 CL 173-2008 8/2008
 CL 174-2008 8/2008
 CL 2524-2008 1/2009
 CL 1764-2008 7/2009
 CL 618-2010 11/2010
 CL 739-2010 12/2010
 CL 291-2012 11/2012
 EM 000089099-0001 10/2003
 EM 000089099-0002 10/2003
 EM 000089099-0003 10/2003
 EM 000877477-0001 1/2008
 EM 000877477-0002 1/2008
 EM 000877477-0003 1/2008
 EM 000877477-0004 1/2008
 EM 000877477-0005 1/2008
 EM 000877477-0006 1/2008
 EM 000877477-0007 1/2008
 EM 000877477-0008 1/2008
 EM 000877477-0009 1/2008
 EM 000895396-0001 3/2008
 EM 000895396-0002 3/2008
 EM 000895396-0003 3/2008
 EM 000895396-0004 3/2008
 EM 000895396-0005 3/2008
 EM 000895396-0006 3/2008
 EM 000895396-0007 3/2008
 EM 000895396-0009 3/2008
 EM 000895396-0010 3/2008
 EM 000895396-0011 3/2008
 EM 000895396-0012 3/2008
 EM 000895396-0013 3/2008
 EM 000895396-0014 3/2008
 EM 000895396-0015 3/2008
 EM 000896396-0008 3/2008
 GB 1049195 3/1988
 GB 1050103 4/1988
 GB 2010025 4/1990
 GB 2010026 4/1990
 GB 2057051 12/1995
 GB 2057052 12/1995
 GB 2057053 12/1995
 GB 2060104 4/1996
 GB 2060105 4/1996
 GB 2057055 5/1996
 GB 2091441 10/1999
 GB 2091502 10/1999
 GB 2095654 3/2000
 GB 2097590 3/2000
 GB 2097591 4/2000
 GB 2097592 4/2000
 GB 2097593 5/2000
 GB 2104929 3/2001
 GB 2106421 4/2001

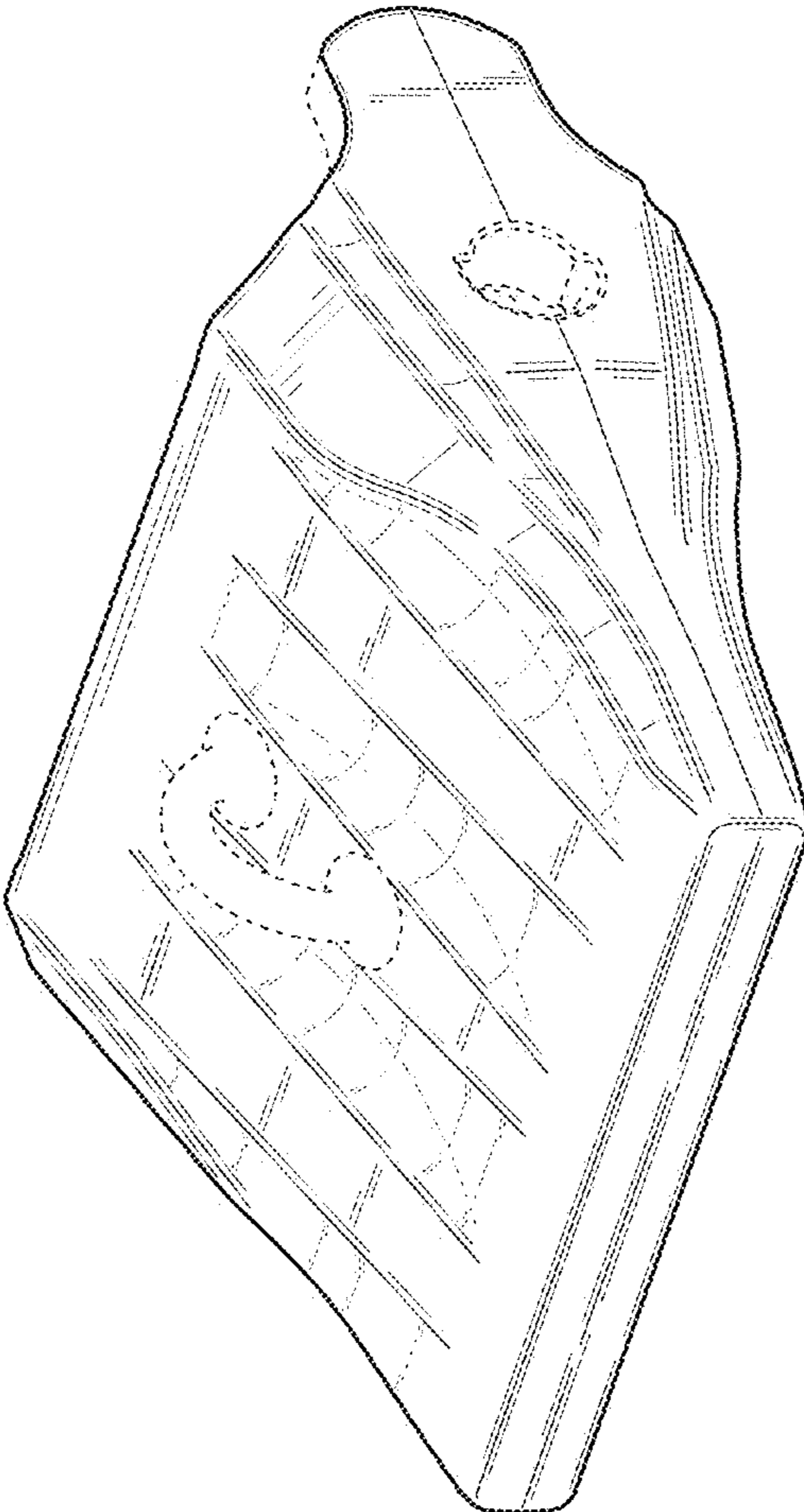


Fig. 1

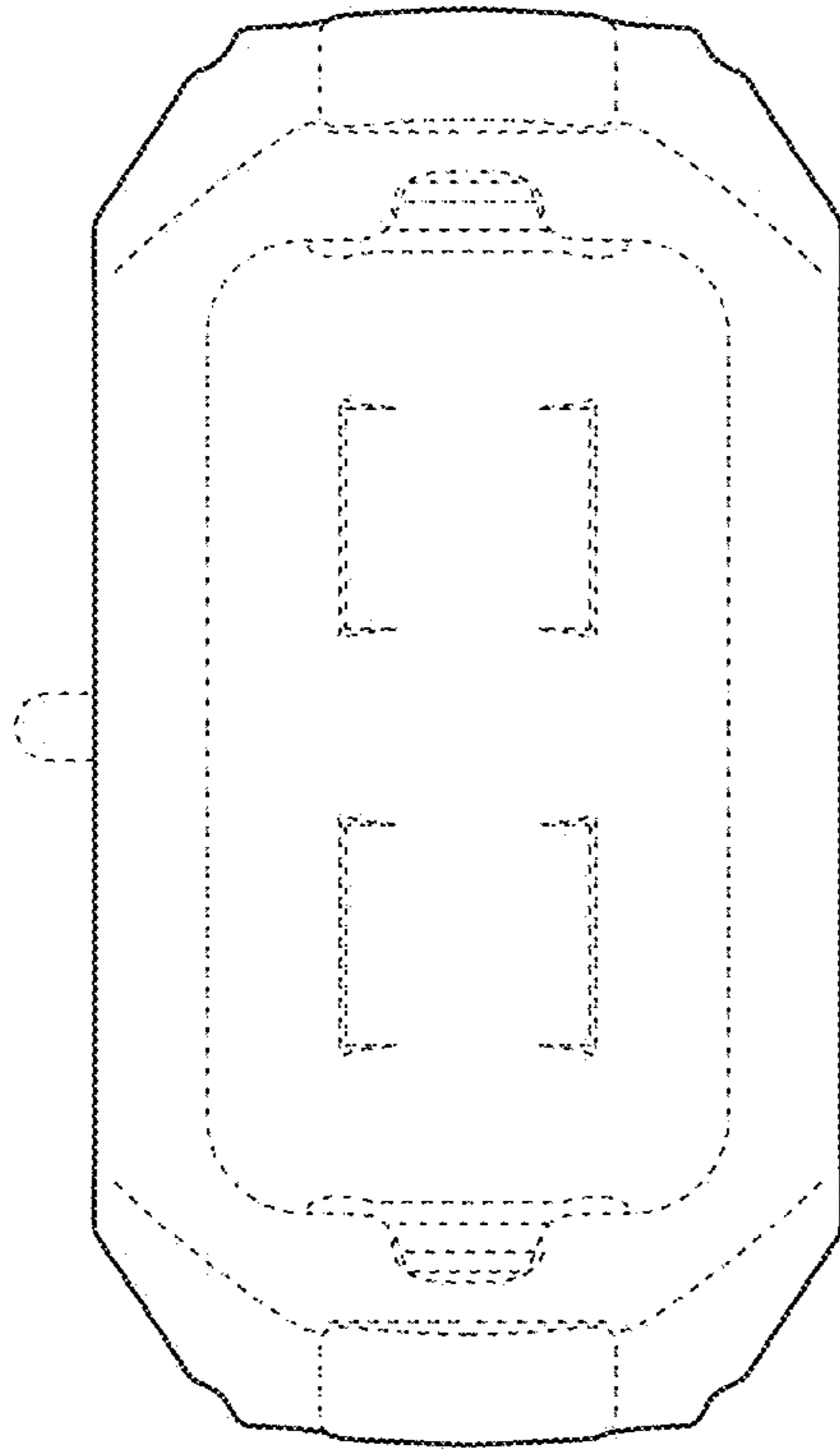


Fig. 3

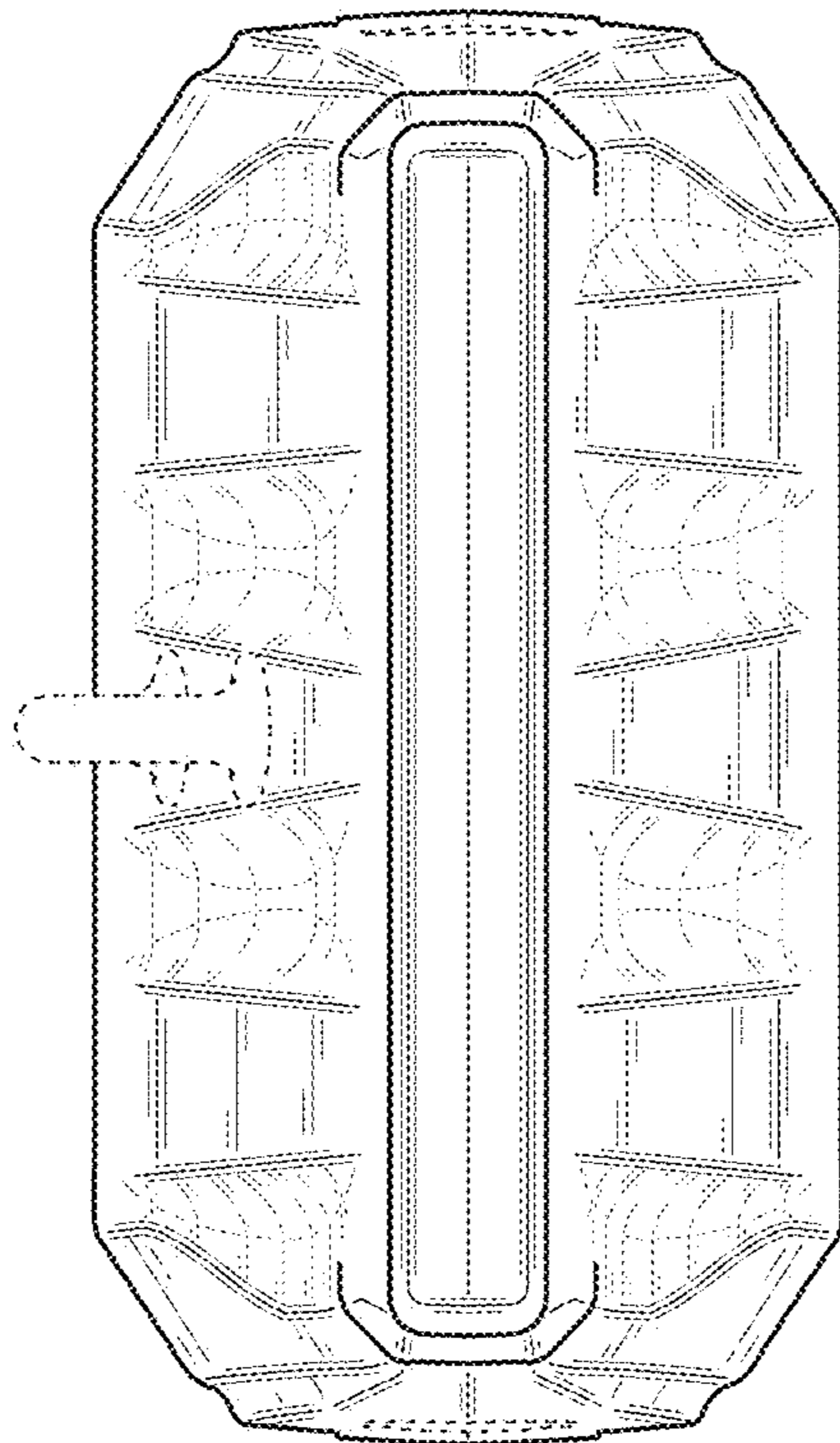


Fig. 2

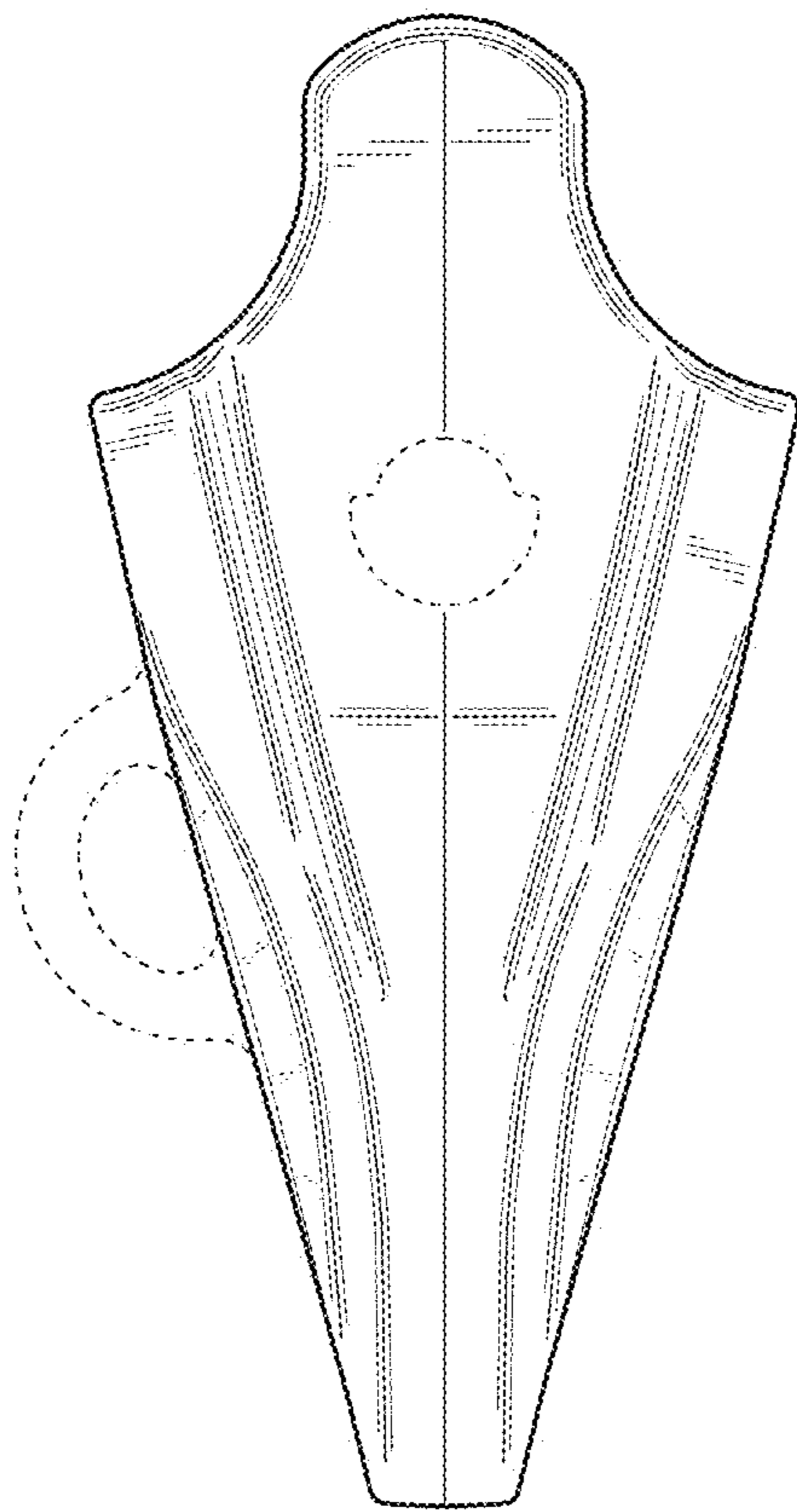


Fig. 4

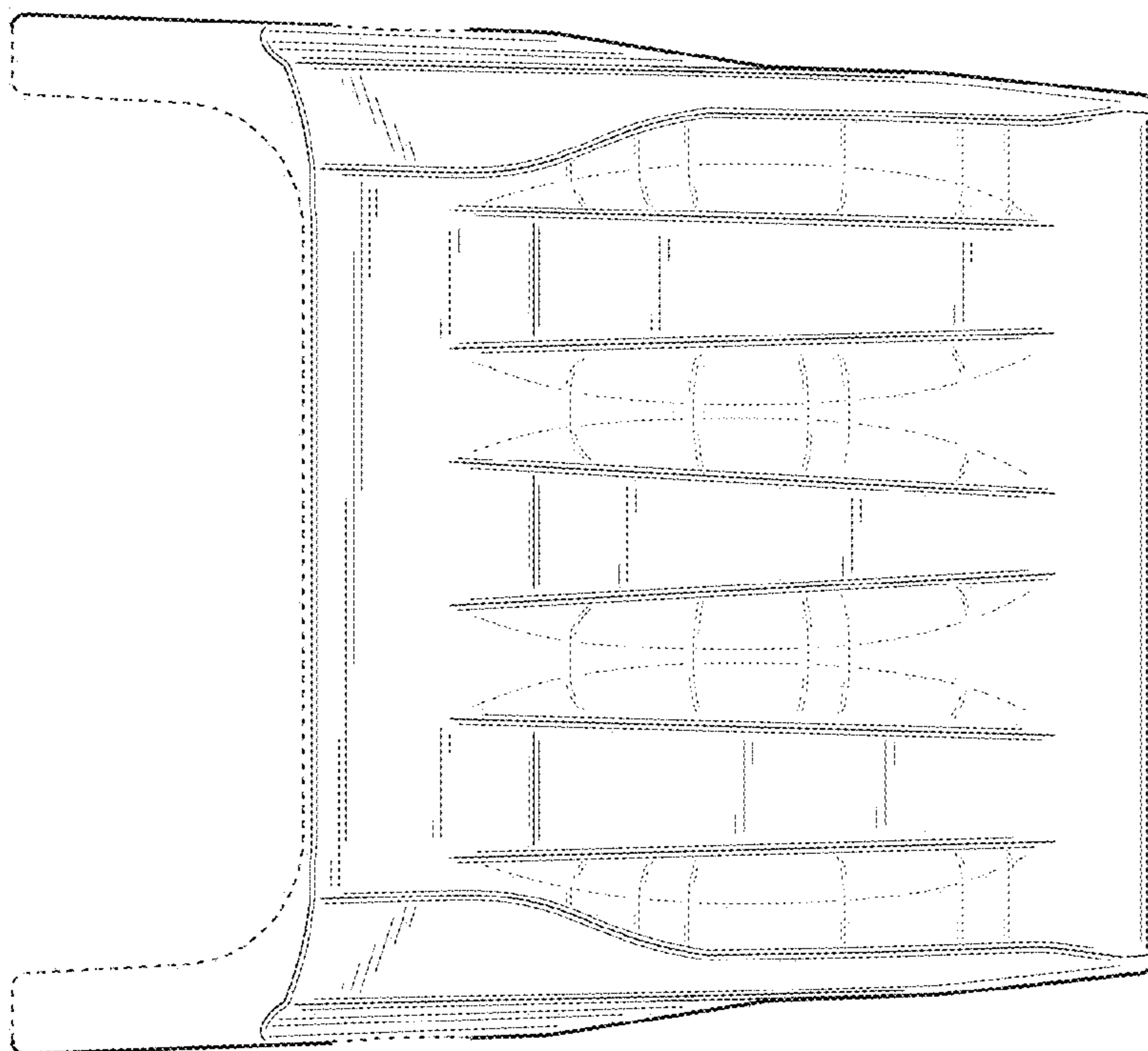


Fig. 5

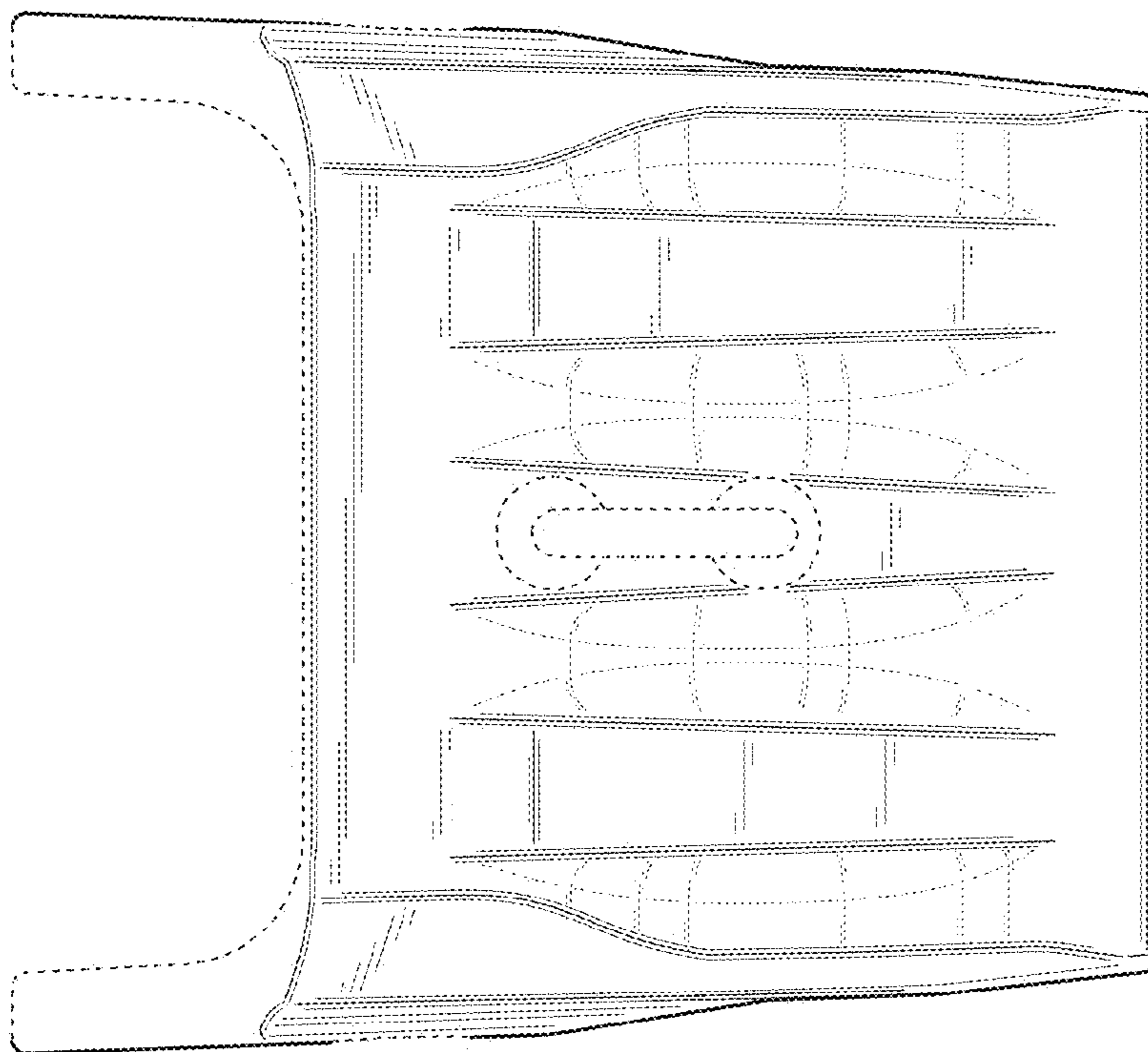


Fig. 6

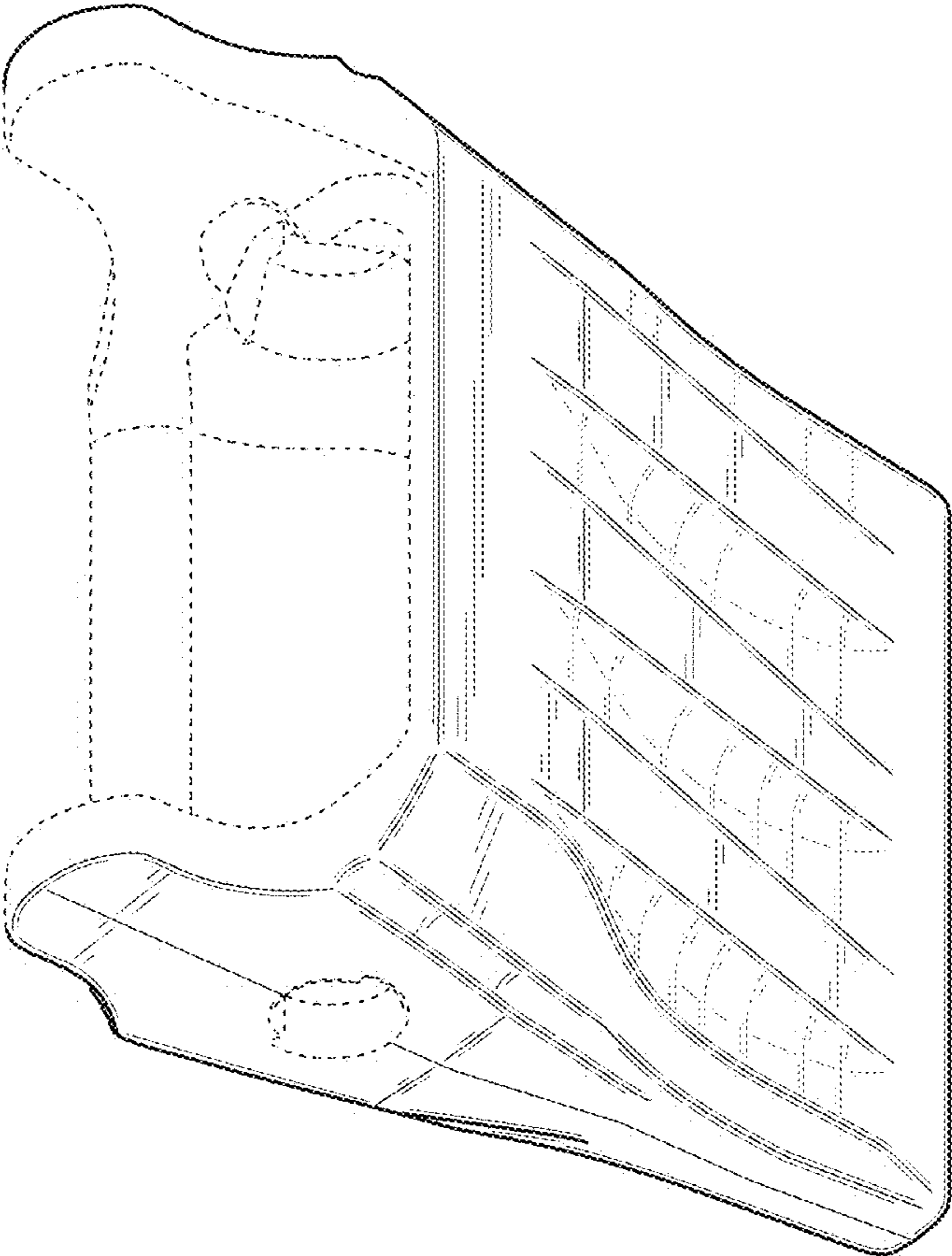


Fig. 7