



US00D749144S

(12) **United States Design Patent**
Higashikawa et al.

(10) **Patent No.:** **US D749,144 S**
(45) **Date of Patent:** **** Feb. 9, 2016**

(54) **TRACTOR**
(71) Applicant: **Kubota Corporation**, Osaka, Osaka (JP)
(72) Inventors: **Yoshitaka Higashikawa**, Sakai (JP);
Wataru Sasaki, Sakai (JP)
(73) Assignee: **KUBOTA CORPORATION**, Osaka
(JP)
(**) Term: **14 Years**
(21) Appl. No.: **29/474,461**
(22) Filed: **Sep. 26, 2014**

(30) **Foreign Application Priority Data**
Jun. 12, 2014 (JP) 2014-012743
(51) **LOC (10) Cl.** **12-09**
(52) **U.S. Cl.**
USPC **D15/23**
(58) **Field of Classification Search**
USPC D15/10, 14-17, 22-26, 28, 30, 31
CPC B62D 49/00; B62D 49/06; B62D 49/0671
See application file for complete search history.

(56) **References Cited**
U.S. PATENT DOCUMENTS
D231,248 S * 4/1974 Bednar D15/23
D258,509 S * 3/1981 Funabashi D15/23
D258,824 S * 4/1981 Funabashi D15/23
D261,141 S * 10/1981 Takahashi et al. D15/23
D282,849 S * 3/1986 Funabashi D15/23
D306,301 S * 2/1990 Funabashi et al. D15/23
D310,374 S * 9/1990 Westimayer et al. D15/15
D378,755 S * 4/1997 Kato et al. D15/23
D422,606 S * 4/2000 Katoh et al. D15/23
D438,546 S * 3/2001 Katoh et al. D15/23

D489,381 S * 5/2004 Mistry et al. D15/23
D501,487 S * 2/2005 Katoh et al. D15/23
D513,268 S * 12/2005 Wang et al. D15/23
D526,335 S * 8/2006 Kuwae et al. D15/23
D537,454 S * 2/2007 Higashikawa et al. D15/23
D542,308 S * 5/2007 Oka et al. D15/23
D547,333 S * 7/2007 Nishi et al. D15/23
D553,159 S * 10/2007 Higashikawa et al. D15/23
D558,797 S * 1/2008 Yamamoto et al. D15/26
D581,953 S * 12/2008 Matsumoto et al. D15/23
D599,826 S * 9/2009 Kuwae D15/26
D600,255 S * 9/2009 Kushita et al. D15/26
D605,668 S * 12/2009 Matsumoto et al. D15/23
D613,313 S * 4/2010 Bhanuprakash D15/23
D678,353 S * 3/2013 Kakudate et al. D15/23
D692,463 S * 10/2013 Matsui et al. D15/23
D706,837 S * 6/2014 Takagi et al. D15/23
D710,911 S * 8/2014 Iwata et al. D15/23
D720,369 S * 12/2014 Furukawa et al. D15/23

* cited by examiner
Primary Examiner — Mitchell Siegel
(74) *Attorney, Agent, or Firm* — Masuvalley & Partners

(57) **CLAIM**
The ornamental design for a tractor, as shown and described.

DESCRIPTION

FIG. 1 is a perspective view of the tractor according to the invention;
FIG. 2 is a front elevation view of the tractor of FIG. 1;
FIG. 3 is a rear elevation view of the tractor of FIG. 1;
FIG. 4 is a left side elevation view of the tractor of FIG. 1;
FIG. 5 is a right side elevation view of the tractor of FIG. 1;
and,
FIG. 6 is a top plan view of the tractor of FIG. 1.
The line shading in parts of the drawings is included for the purpose of illustrating use and environment and forms no part of the claimed design.

1 Claim, 6 Drawing Sheets

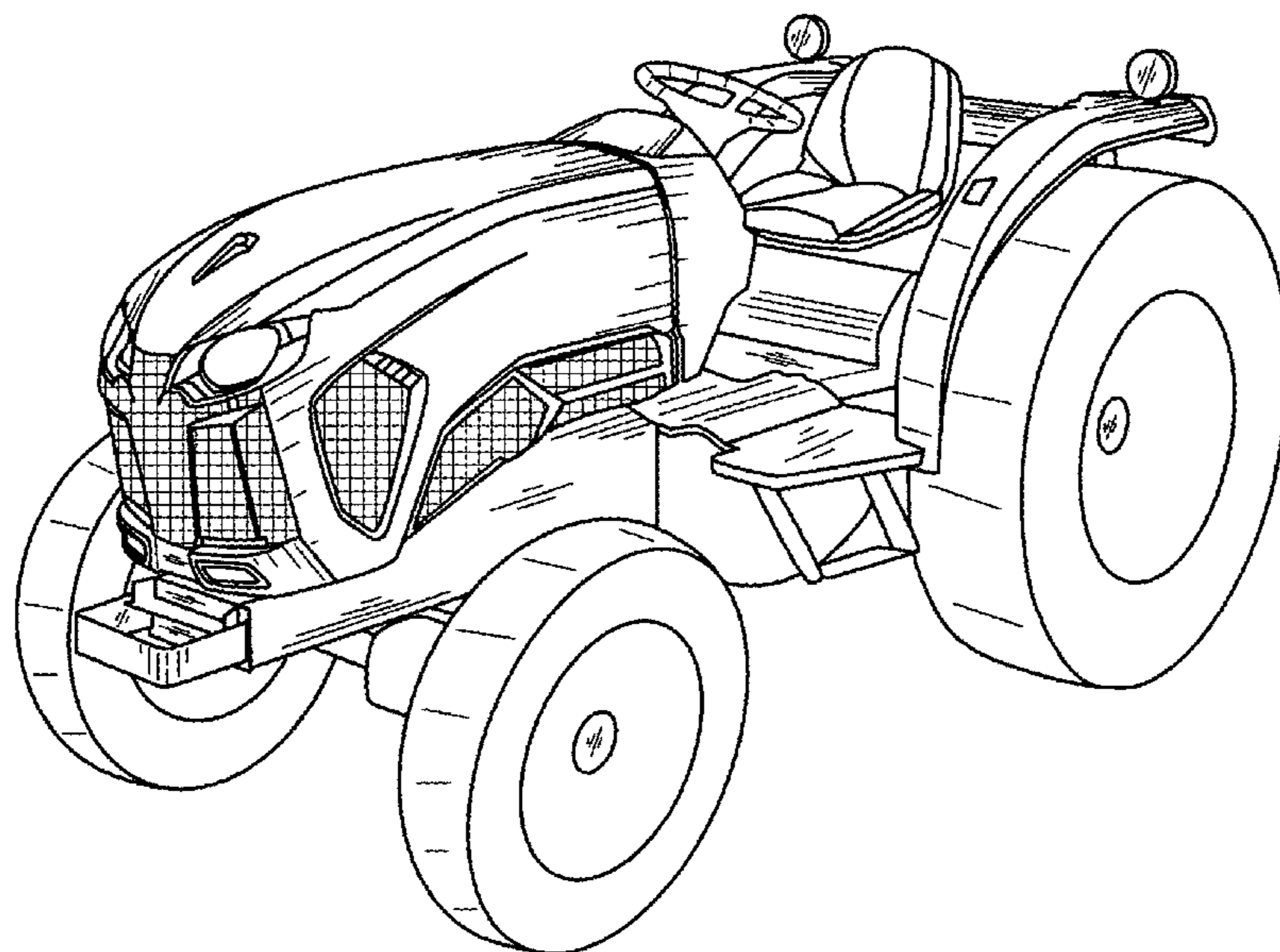


FIG. 1

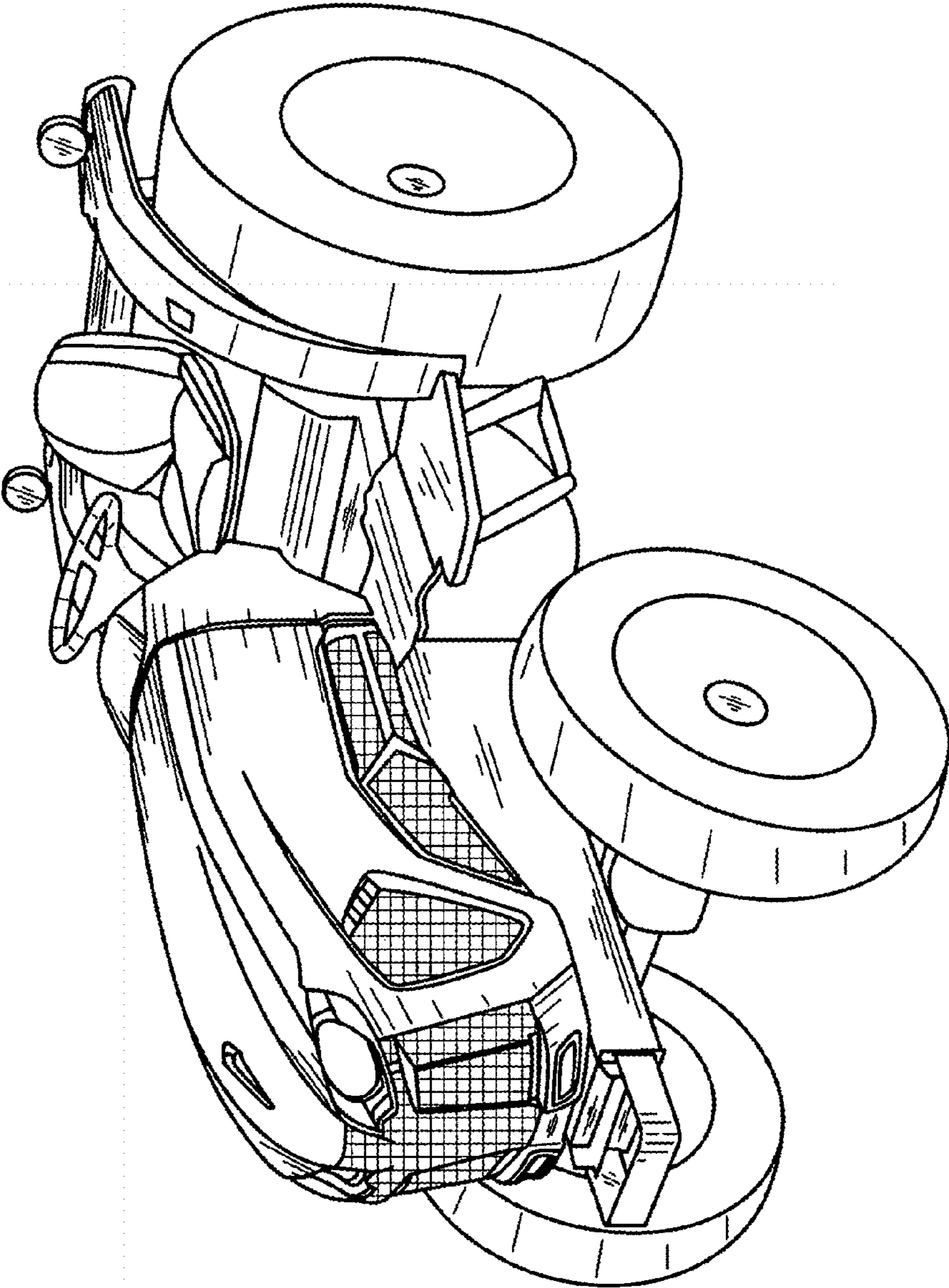


FIG. 2

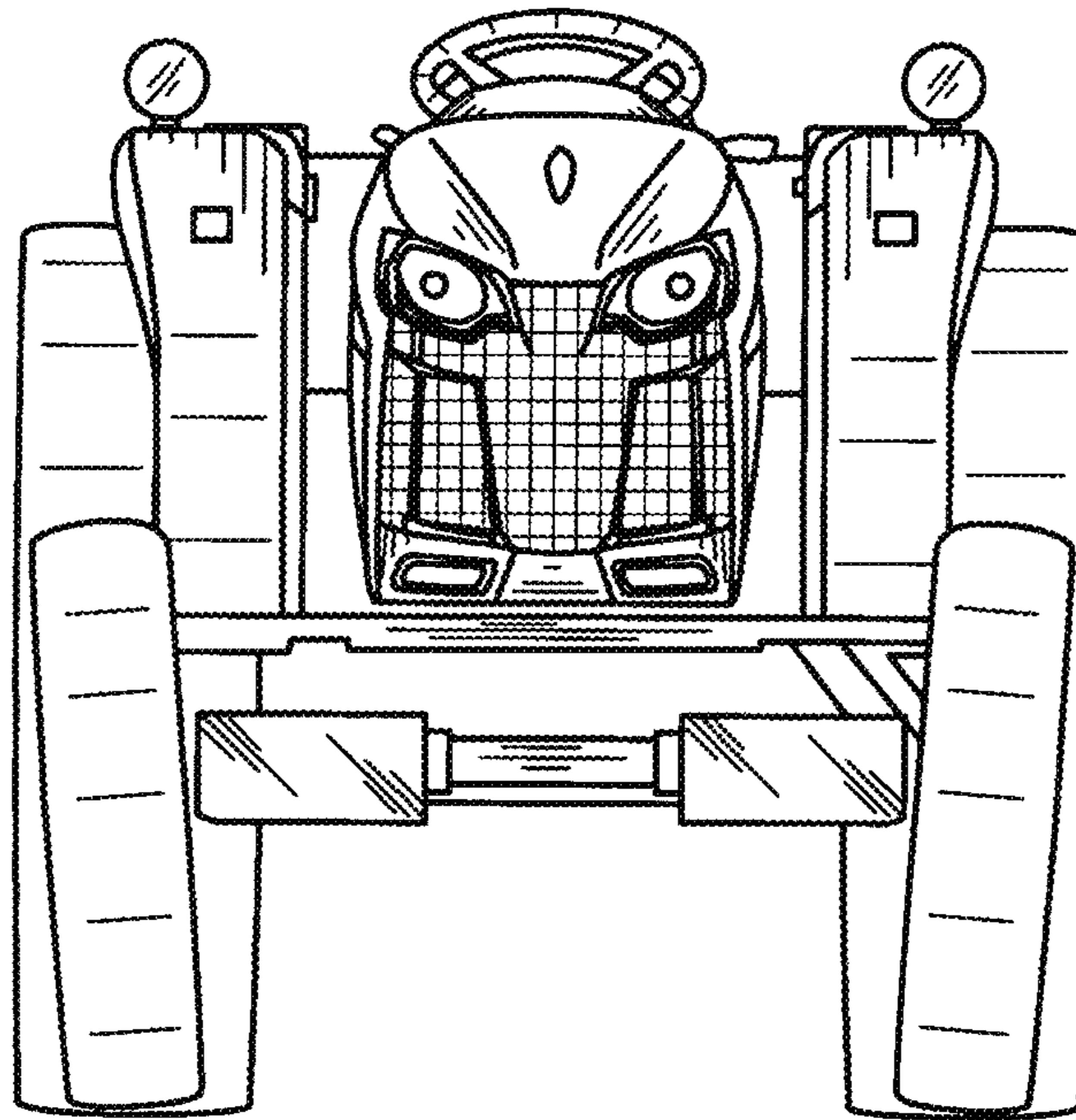


FIG. 3

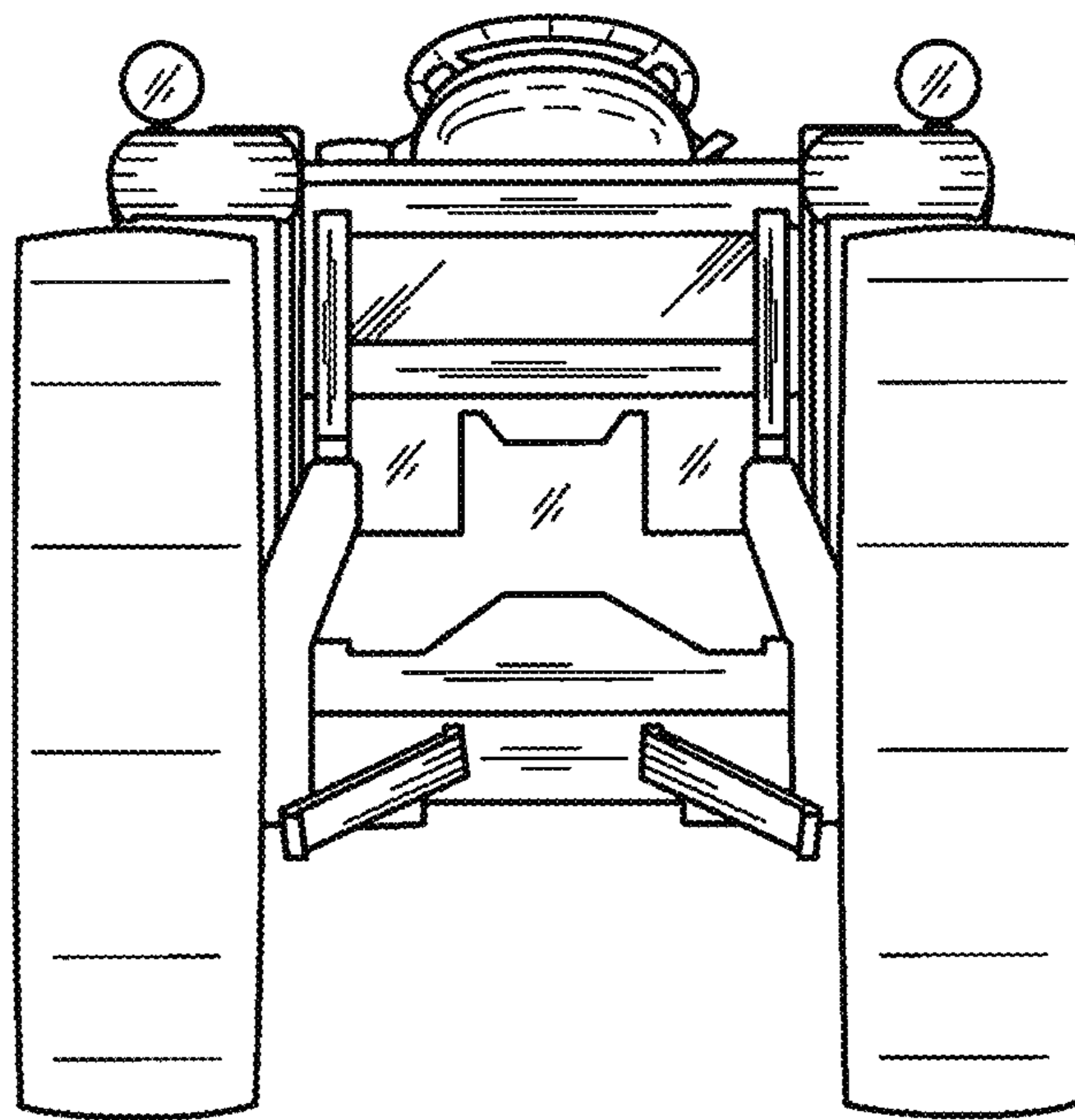


FIG. 4

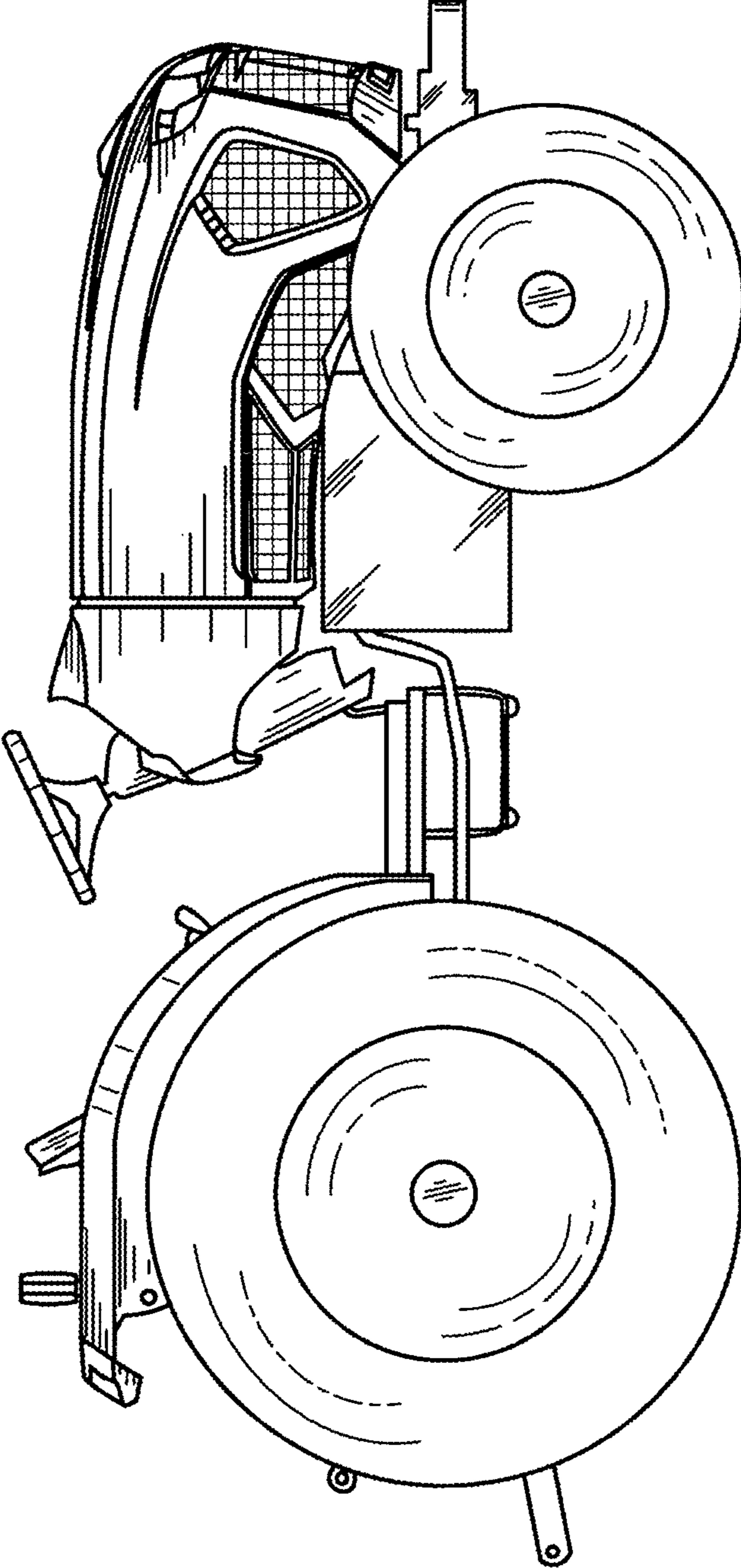


FIG. 5

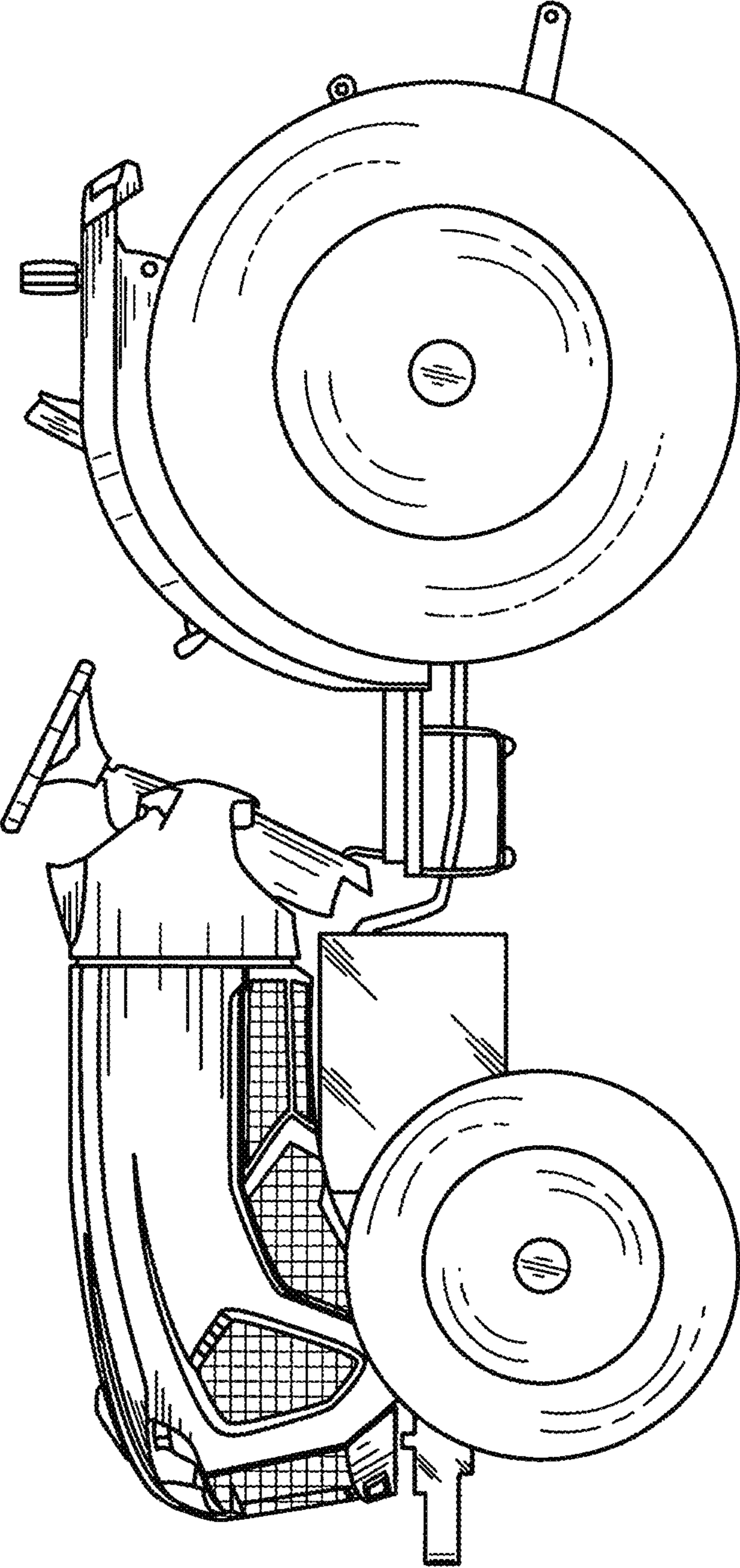


FIG. 6

