



US00D749143S

(12) **United States Design Patent**
Erdmann et al.

(10) **Patent No.:** **US D749,143 S**
(45) **Date of Patent:** **** Feb. 9, 2016**

- (54) **RUBBER-TIRED ROAD ROLLER**
- (71) Applicant: **BOMAG GmbH**, Boppard (DE)
- (72) Inventors: **Berthold Erdmann**, Kewanee, IL (US);
Marc Murray, Sheffield, IL (US);
Roland Loew, Klein-Winternheim (DE)
- (73) Assignee: **BOMAG GmbH**, Boppard (DE)
- (**) Term: **15 Years**
- (21) Appl. No.: **29/536,756**
- (22) Filed: **Aug. 19, 2015**

3,450,013	A *	6/1969	Peterson	B60C 27/20 301/39.1
3,866,781	A *	2/1975	Stedman	E02F 9/0841 180/295
D326,858	S *	6/1992	Skeel	D15/25
D516,094	S *	2/2006	Dotsch	D15/20
D540,352	S *	4/2007	Sato	D15/25
D549,738	S *	8/2007	Hiraoka	D15/25
D611,506	S *	3/2010	Loew	D15/20
D668,269	S *	10/2012	Tezuka	D15/20
D676,463	S *	2/2013	Ewringmann	D15/20
D694,278	S *	11/2013	Ewringmann	D15/20
D694,279	S *	11/2013	Ewringmann	D15/20
D699,764	S *	2/2014	Loew	D15/20
D720,779	S *	1/2015	Loew	D15/20
2006/0070533	A1 *	4/2006	Silcock	E02D 3/026 100/100

* cited by examiner

- (30) **Foreign Application Priority Data**
- Feb. 24, 2015 (EM) 002640276-0004
- (51) **LOC (10) Cl.** **15-03**
- (52) **U.S. Cl.**
- USPC **D15/20**; D15/22
- (58) **Field of Classification Search**
- USPC D15/10, 22-28, 33, 20; 180/12, 20,
180/89.12; 172/115; 404/121, 122, 124,
404/125, 128, 129; 296/190.1, 190.01,
296/190.08; 405/271
- CPC E02D 3/026; E02D 3/00; B30B 15/00
- See application file for complete search history.

Primary Examiner — Mark Goodwin
(74) *Attorney, Agent, or Firm* — Wood, Herron & Evans, LLP

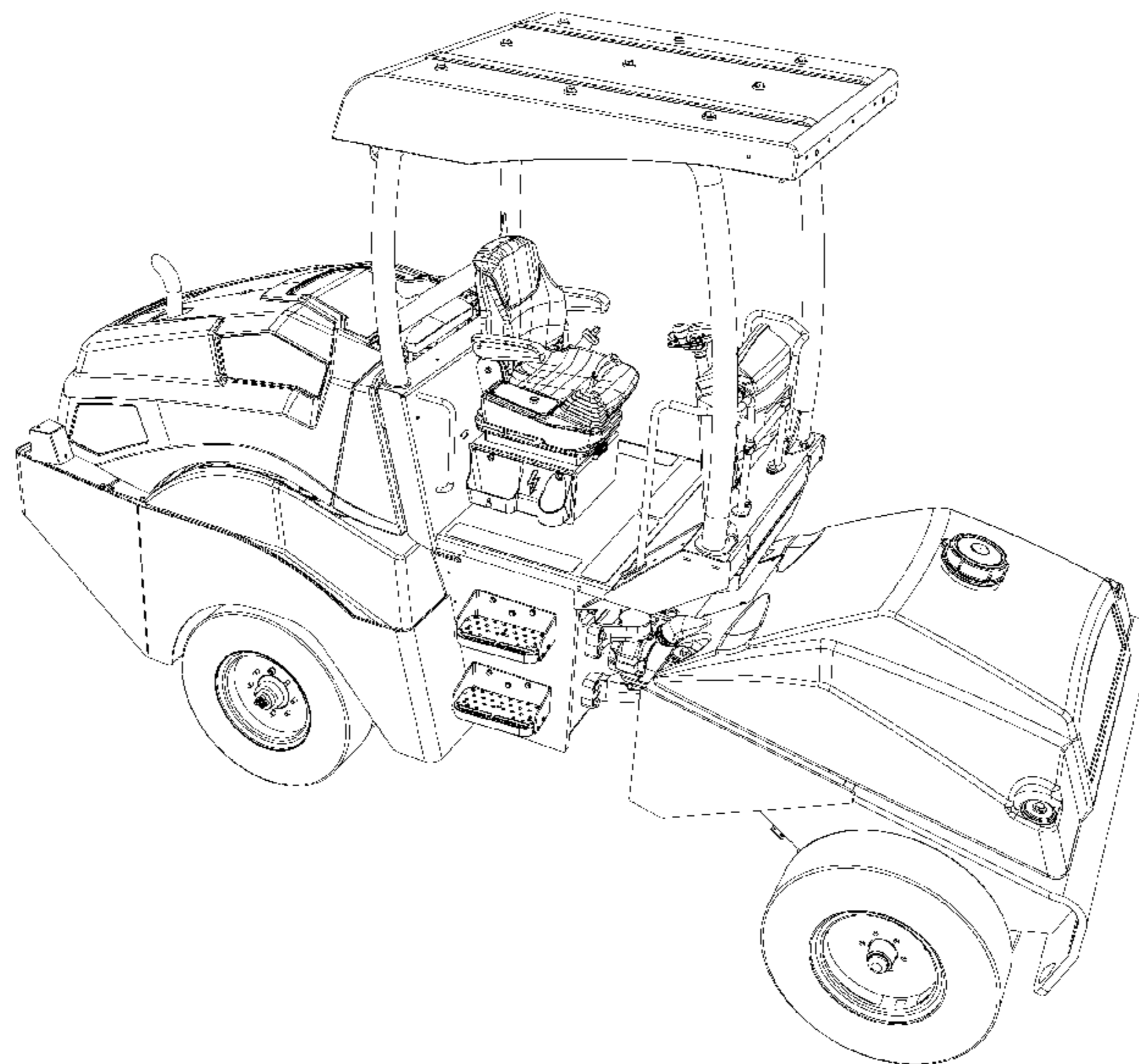
(57) **CLAIM**
The ornamental design for a rubber-tired road roller, as shown and described.

DESCRIPTION

FIG. 1 is a front left perspective view of a rubber-tired road roller showing our new design;
FIG. 2 is a front right perspective view thereof;
FIG. 3 is a rear right perspective view thereof;
FIG. 4 is a rear left perspective view thereof;
FIG. 5 is a front view thereof;
FIG. 6 is a rear view thereof;
FIG. 7 is a right side view thereof;
FIG. 8 is a left side view thereof;
FIG. 9 is a top view thereof; and,
FIG. 10 is a bottom view thereof.

- (56) **References Cited**
- U.S. PATENT DOCUMENTS
- 2,510,817 A * 6/1950 Greiner E02D 3/026
172/115
- 2,777,709 A * 1/1957 Tucker E01C 19/27
180/20
- D194,350 S * 1/1963 Peterson D15/20
- 3,183,804 A * 5/1965 Letourneau E02D 3/026
404/121

1 Claim, 10 Drawing Sheets



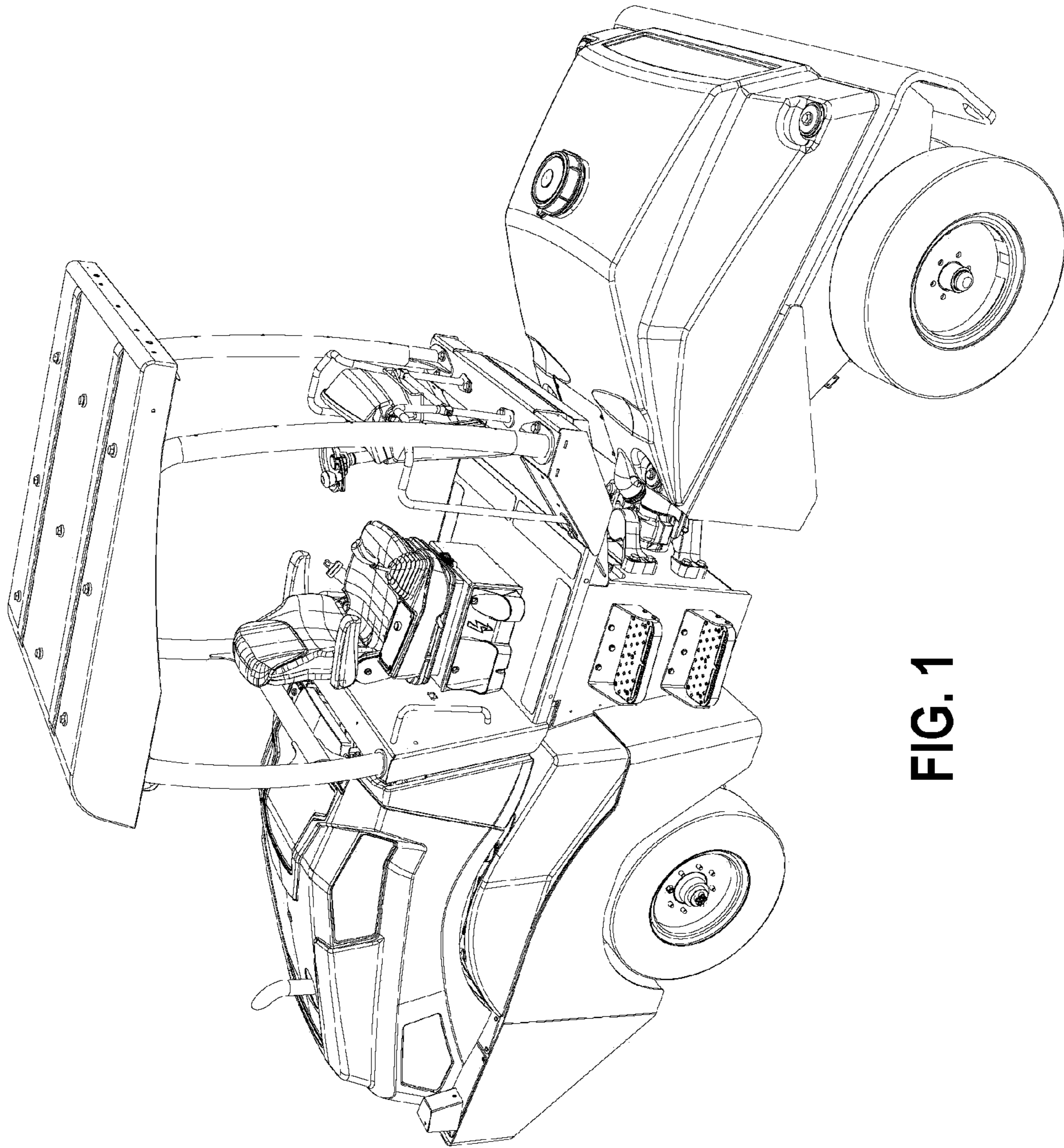


FIG. 1

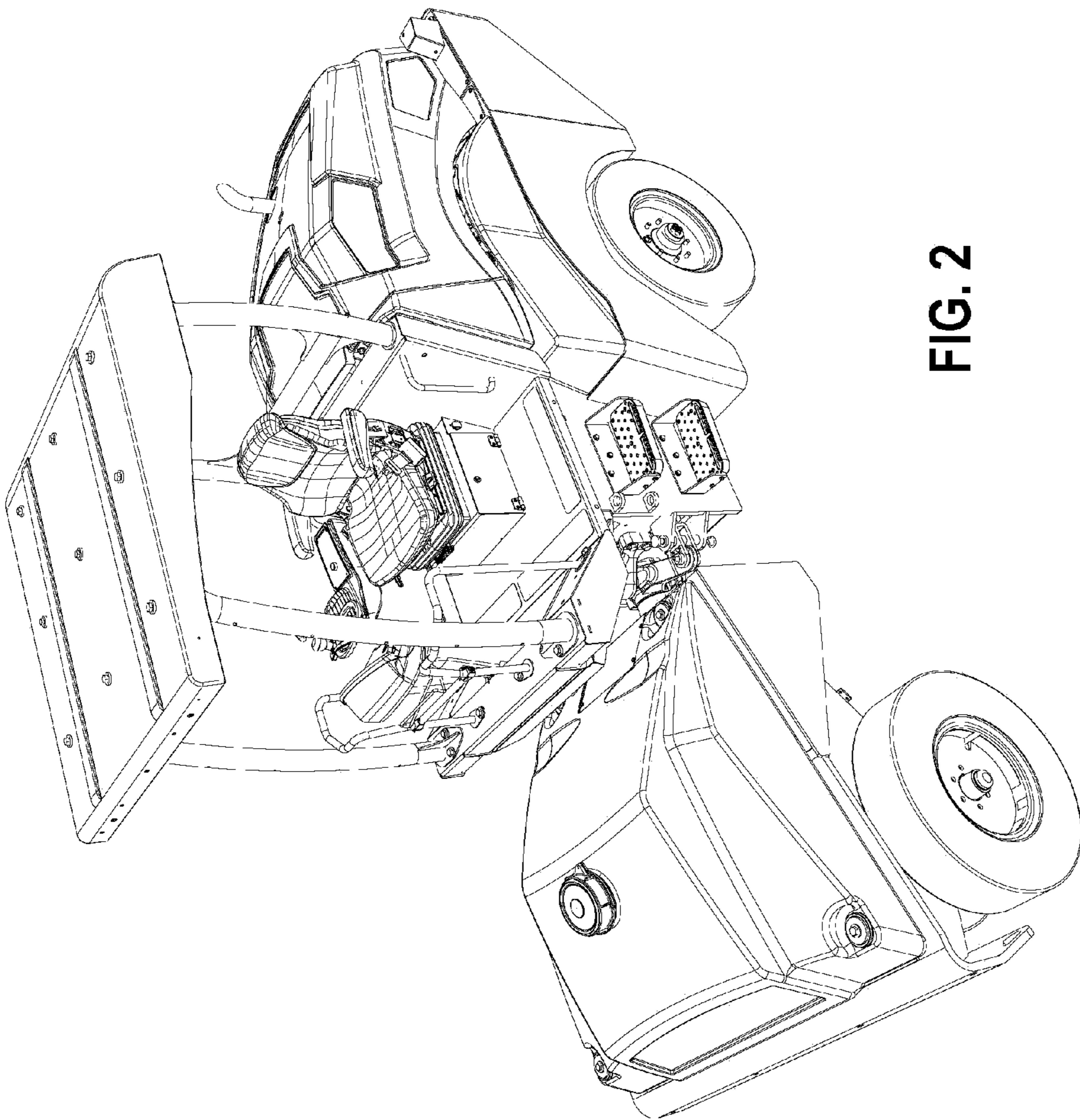


FIG. 2

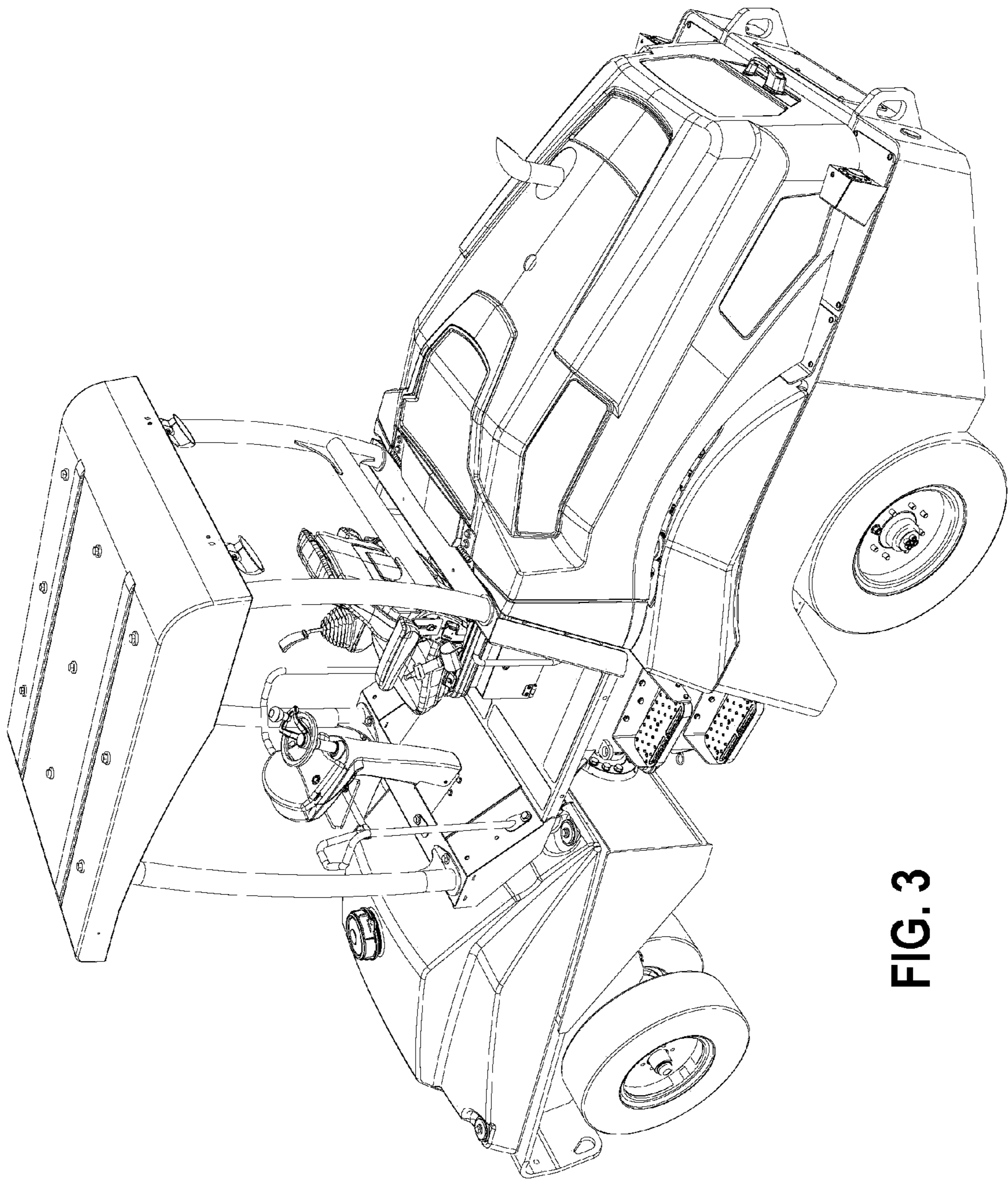


FIG. 3

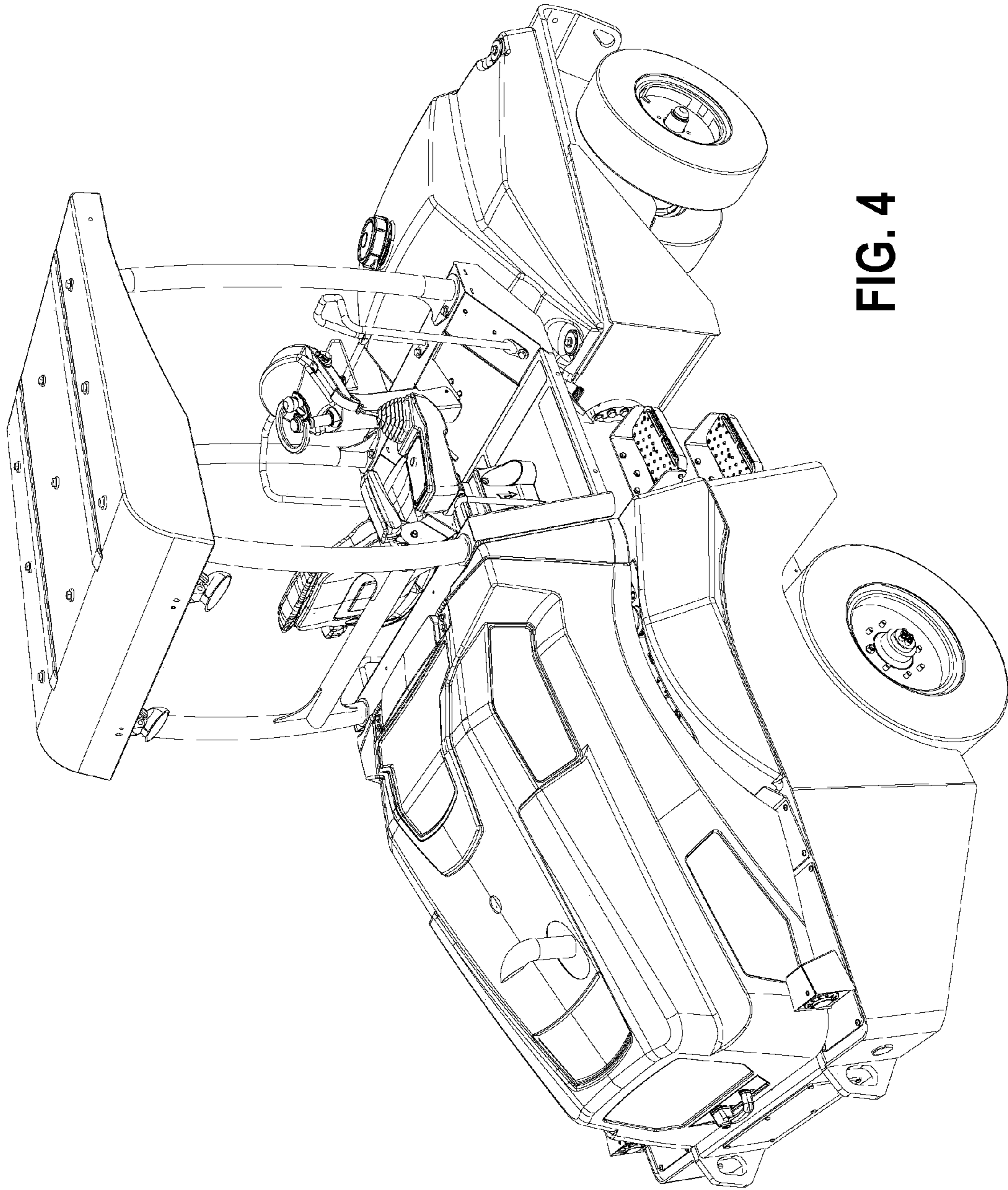


FIG. 4

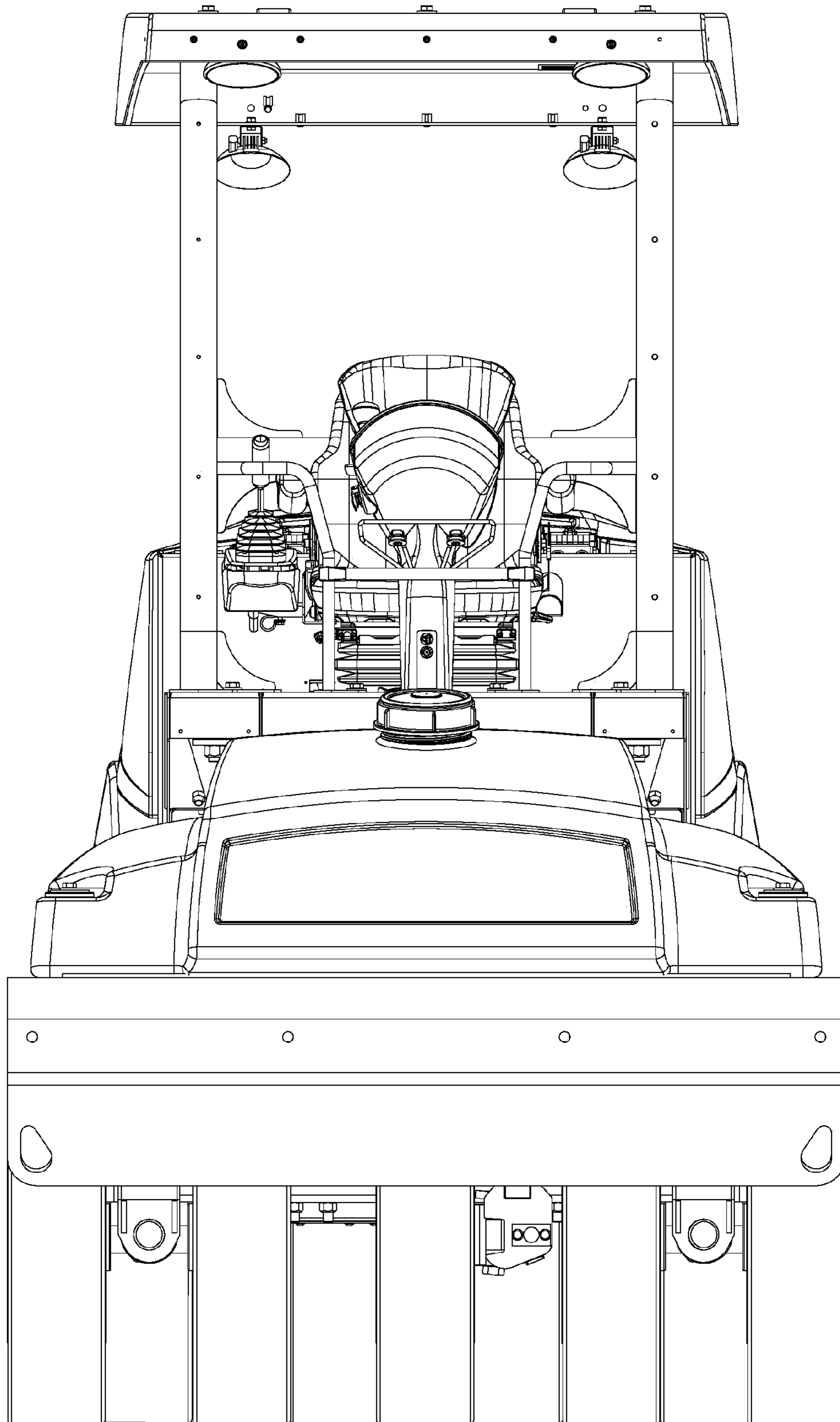


FIG. 5

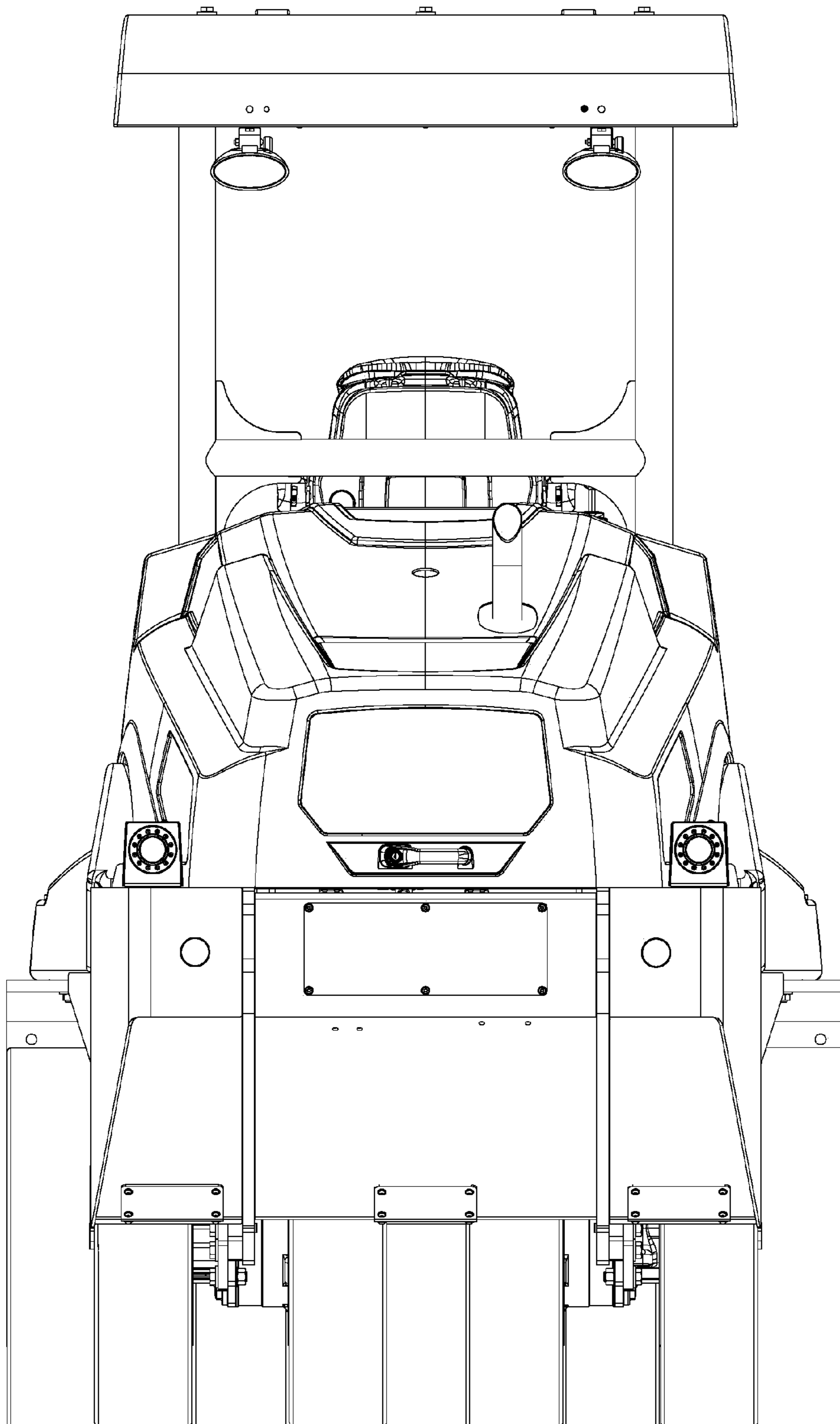


FIG. 6

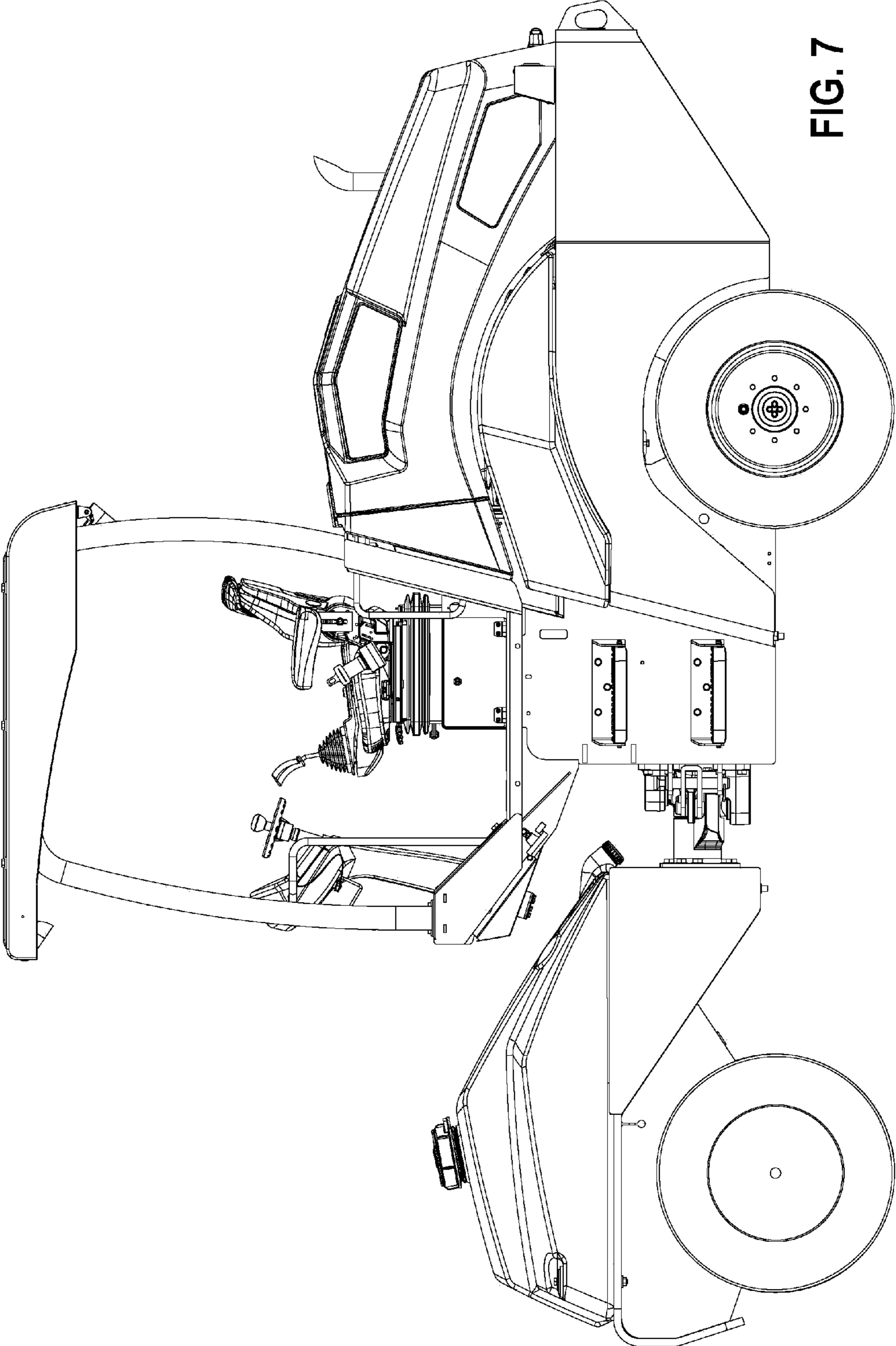


FIG. 7

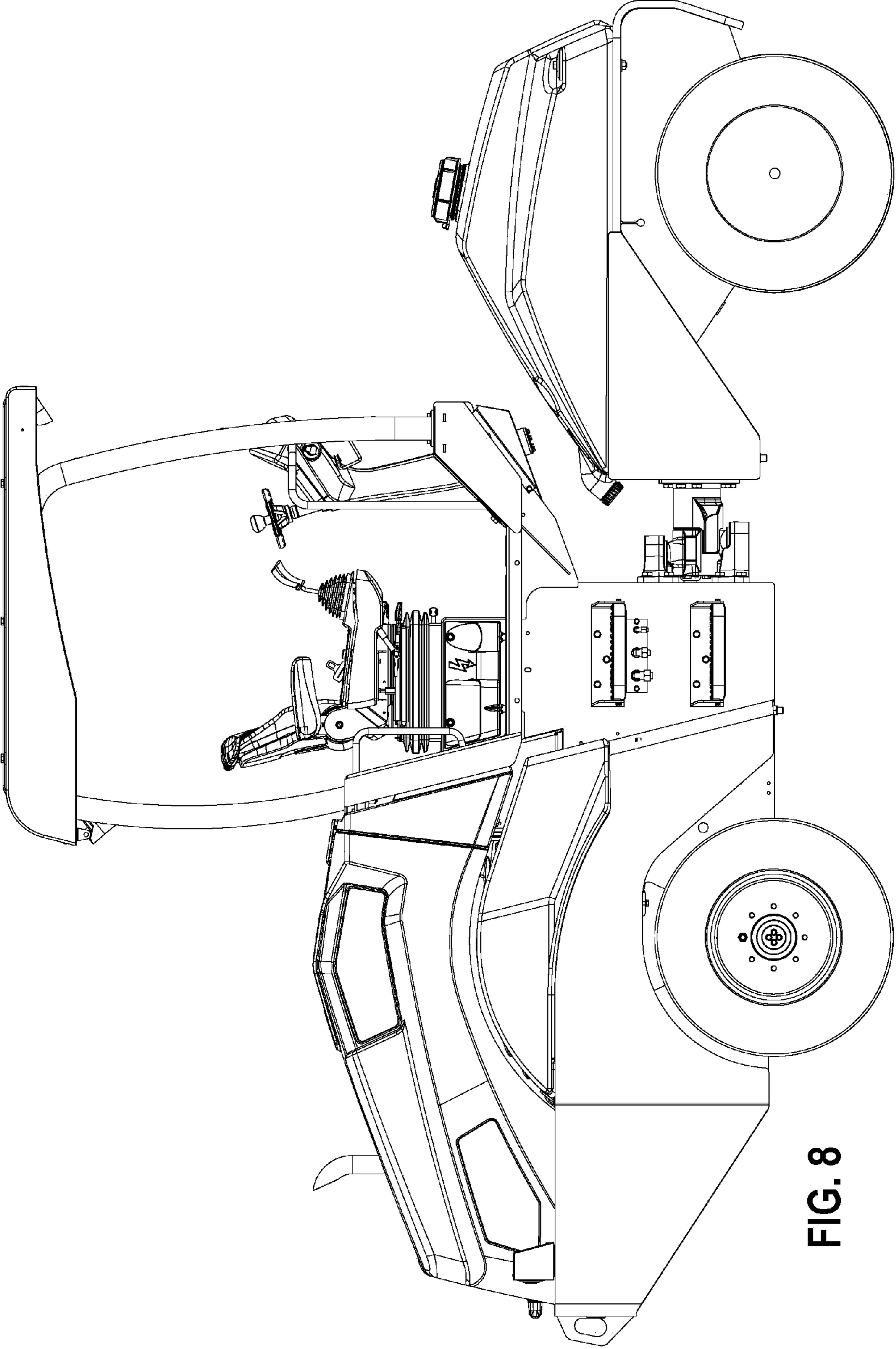


FIG. 8

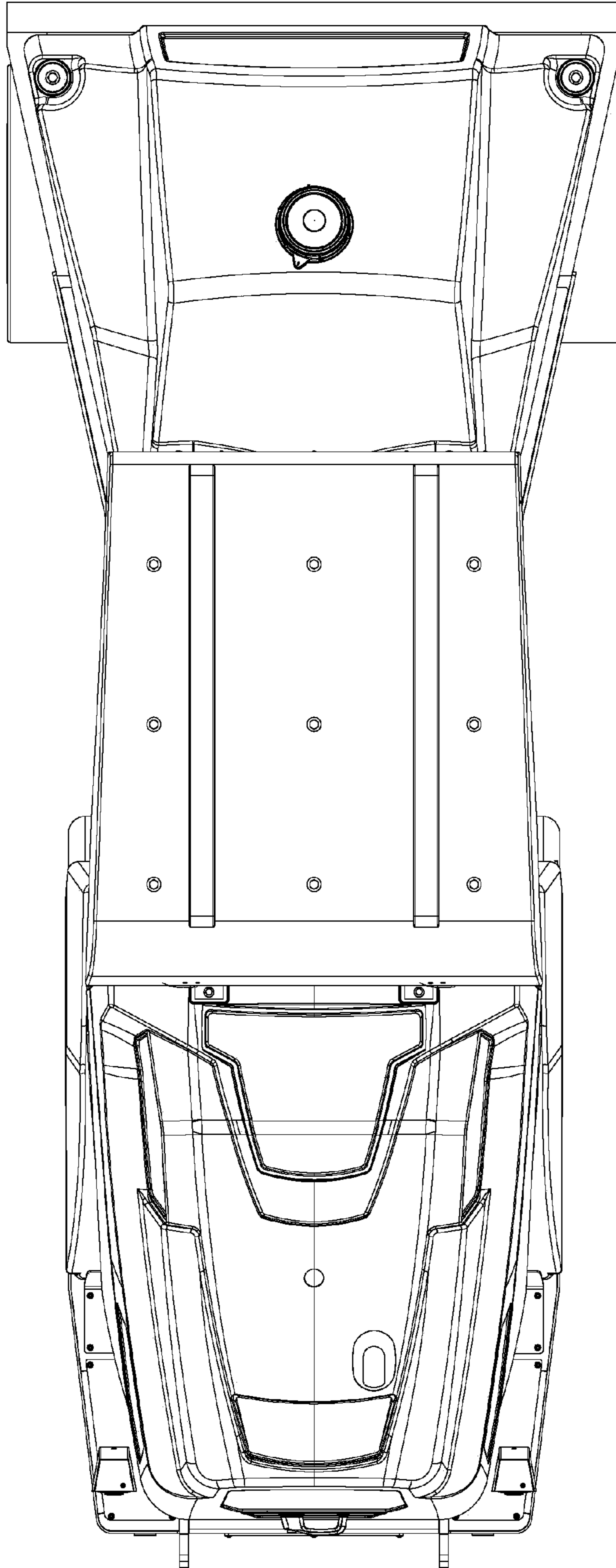


FIG. 9

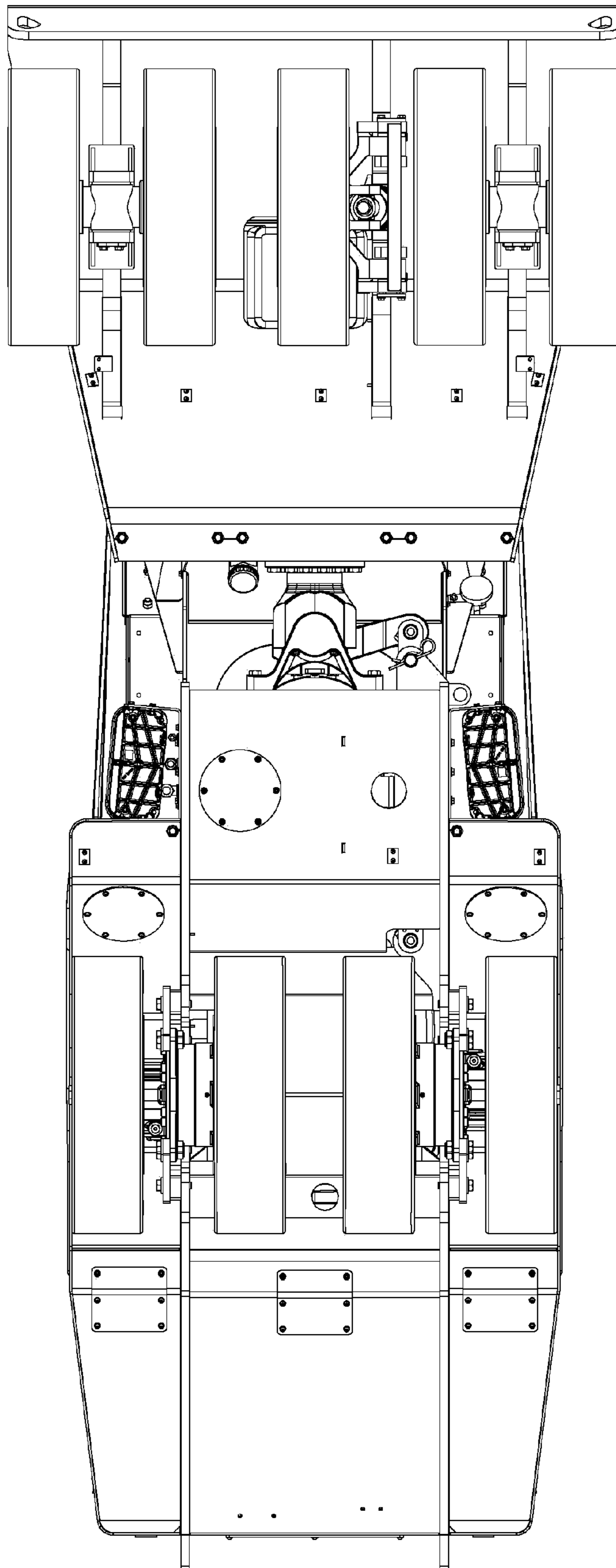


FIG. 10