



US00D749142S

(12) **United States Design Patent**  
**Erdmann et al.**

(10) **Patent No.:** **US D749,142 S**  
(45) **Date of Patent:** **\*\* Feb. 9, 2016**

- (54) **RUBBER-TIRED ROAD ROLLER**
- (71) Applicant: **BOMAG GmbH**, Boppard (DE)
- (72) Inventors: **Berthold Erdmann**, Kewanee, IL (US);  
**Marc Murray**, Sheffield, IL (US);  
**Roland Loew**, Klein-Winternheim (DE)
- (73) Assignee: **BOMAG GmbH**, Boppard (DE)
- (\*\*) Term: **15 Years**
- (21) Appl. No.: **29/536,754**
- (22) Filed: **Aug. 19, 2015**

3,450,013	A *	6/1969	Peterson	.....	B60C 27/20 301/39.1
3,866,781	A *	2/1975	Stedman	.....	E02F 9/0841 180/295
D326,858	S *	6/1992	Skeel	.....	D15/25
D516,094	S *	2/2006	Dotsch	.....	D15/20
D540,352	S *	4/2007	Sato	.....	D15/25
D549,738	S *	8/2007	Hiraoka	.....	D15/25
D611,506	S *	3/2010	Loew	.....	D15/20
D668,269	S *	10/2012	Tezuka	.....	D15/20
D676,463	S *	2/2013	Ewringmann	.....	D15/20
D694,278	S *	11/2013	Ewringmann	.....	D15/20
D694,279	S *	11/2013	Ewringmann	.....	D15/20
D699,764	S *	2/2014	Loew	.....	D15/20
D720,779	S *	1/2015	Loew	.....	D15/20
2006/0070533	A1 *	4/2006	Silcock	.....	E02D 3/026 100/100

\* cited by examiner

- (30) **Foreign Application Priority Data**
- Feb. 24, 2015 (EM) ..... 002640276-0002
- (51) **LOC (10) Cl.** ..... **15-03**
- (52) **U.S. Cl.**
- USPC ..... **D15/20**; D15/22
- (58) **Field of Classification Search**
- USPC ..... D15/10, 22-28, 33, 20; 180/12, 20,  
180/89.12; 172/115; 404/121, 122, 124,  
404/125, 128, 129; 296/190.1, 190.01,  
296/190.08; 405/271
- CPC ..... E02D 3/026; E02D 3/00; B30B 15/00
- See application file for complete search history.

*Primary Examiner* — Mark Goodwin  
(74) *Attorney, Agent, or Firm* — Wood, Herron & Evans, LLP

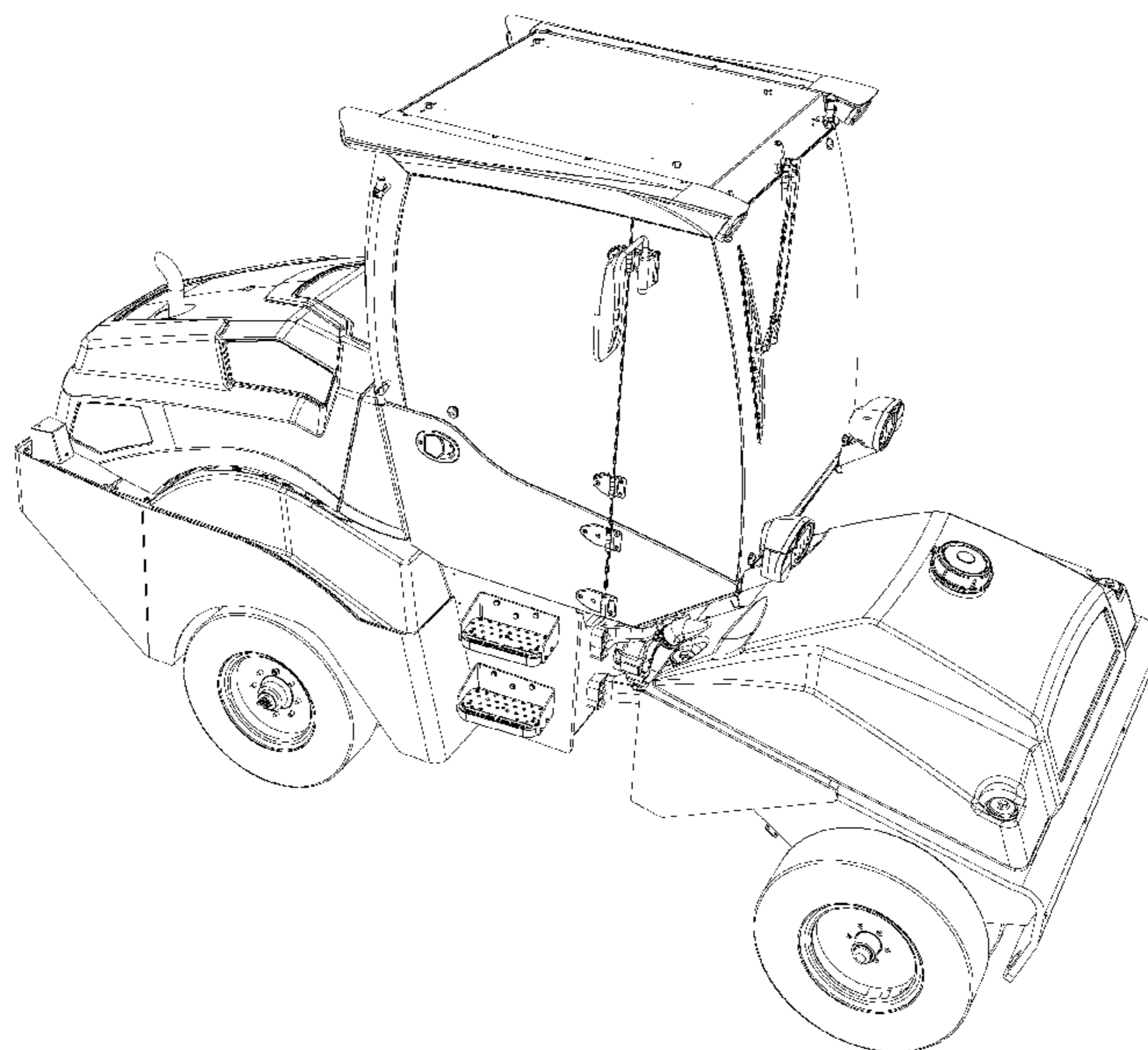
(57) **CLAIM**  
The ornamental design for a rubber-tired road roller, as shown and described.

**DESCRIPTION**

FIG. 1 is a front left perspective view of a rubber-tired road roller showing our new design;  
FIG. 2 is a front right perspective view thereof;  
FIG. 3 is a rear right perspective view thereof;  
FIG. 4 is a rear left perspective view thereof;  
FIG. 5 is a front view thereof;  
FIG. 6 is a rear view thereof;  
FIG. 7 is a right side view thereof;  
FIG. 8 is a left side view thereof;  
FIG. 9 is a top view thereof; and,  
FIG. 10 is a bottom view thereof.

- (56) **References Cited**
- U.S. PATENT DOCUMENTS
- 2,510,817 A \* 6/1950 Greiner ..... E02C 3/026  
172/115
- 2,777,709 A \* 1/1957 Tucker ..... E01C 19/27  
180/20
- D194,350 S \* 1/1963 Peterson ..... D15/20
- 3,183,804 A \* 5/1965 Letourneau ..... E02D 3/026  
404/121

**1 Claim, 10 Drawing Sheets**



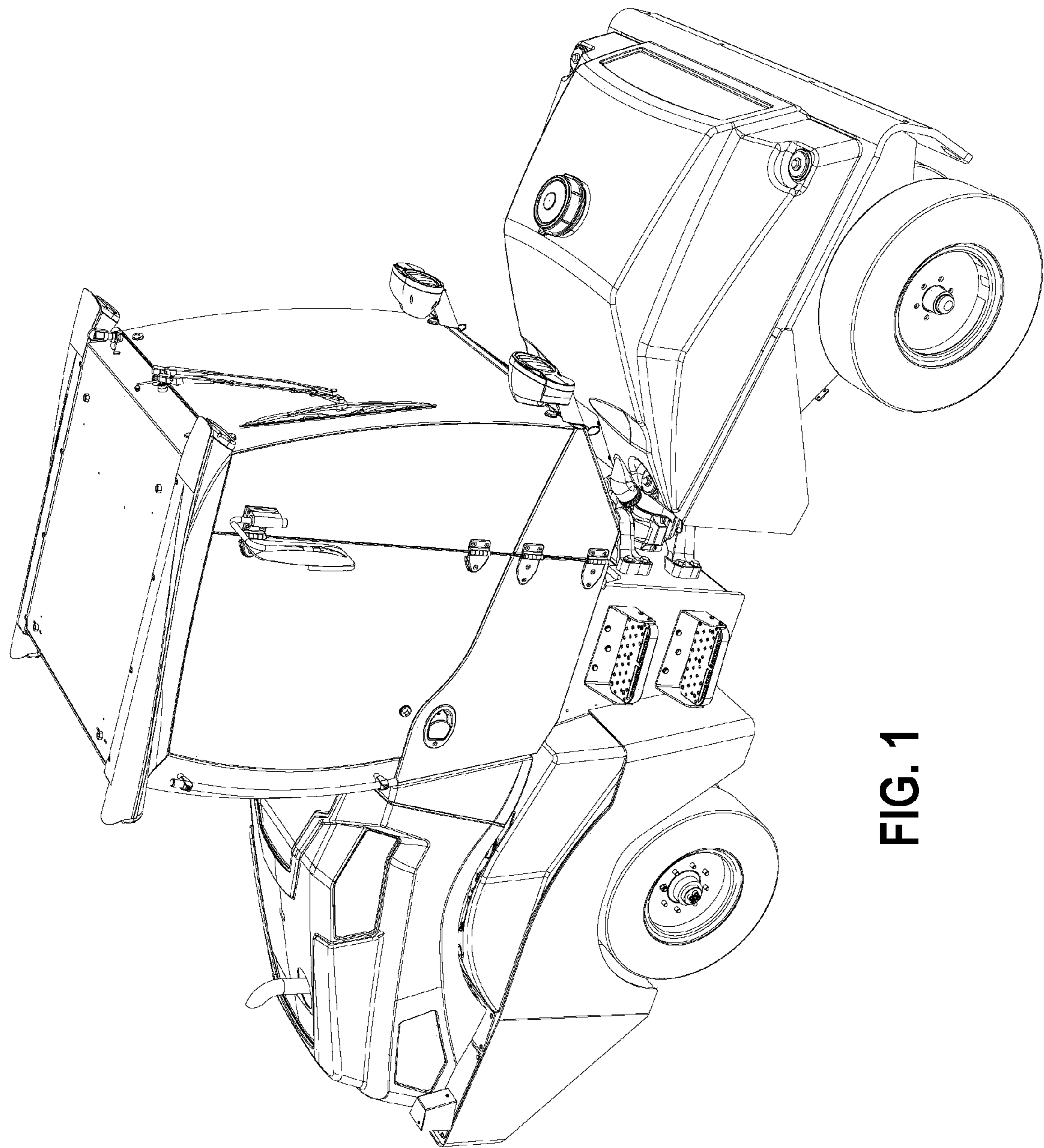


FIG. 1

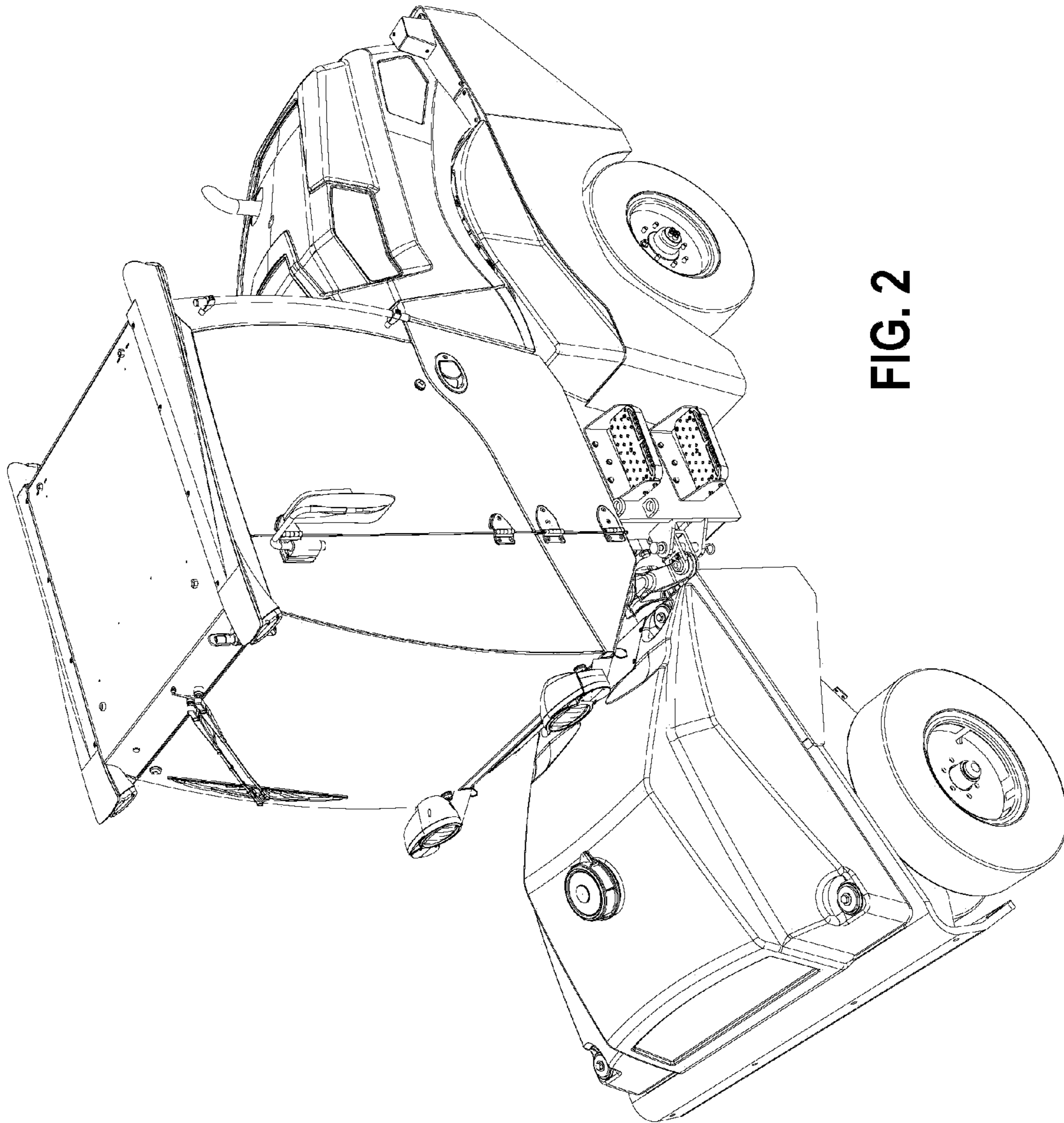


FIG. 2

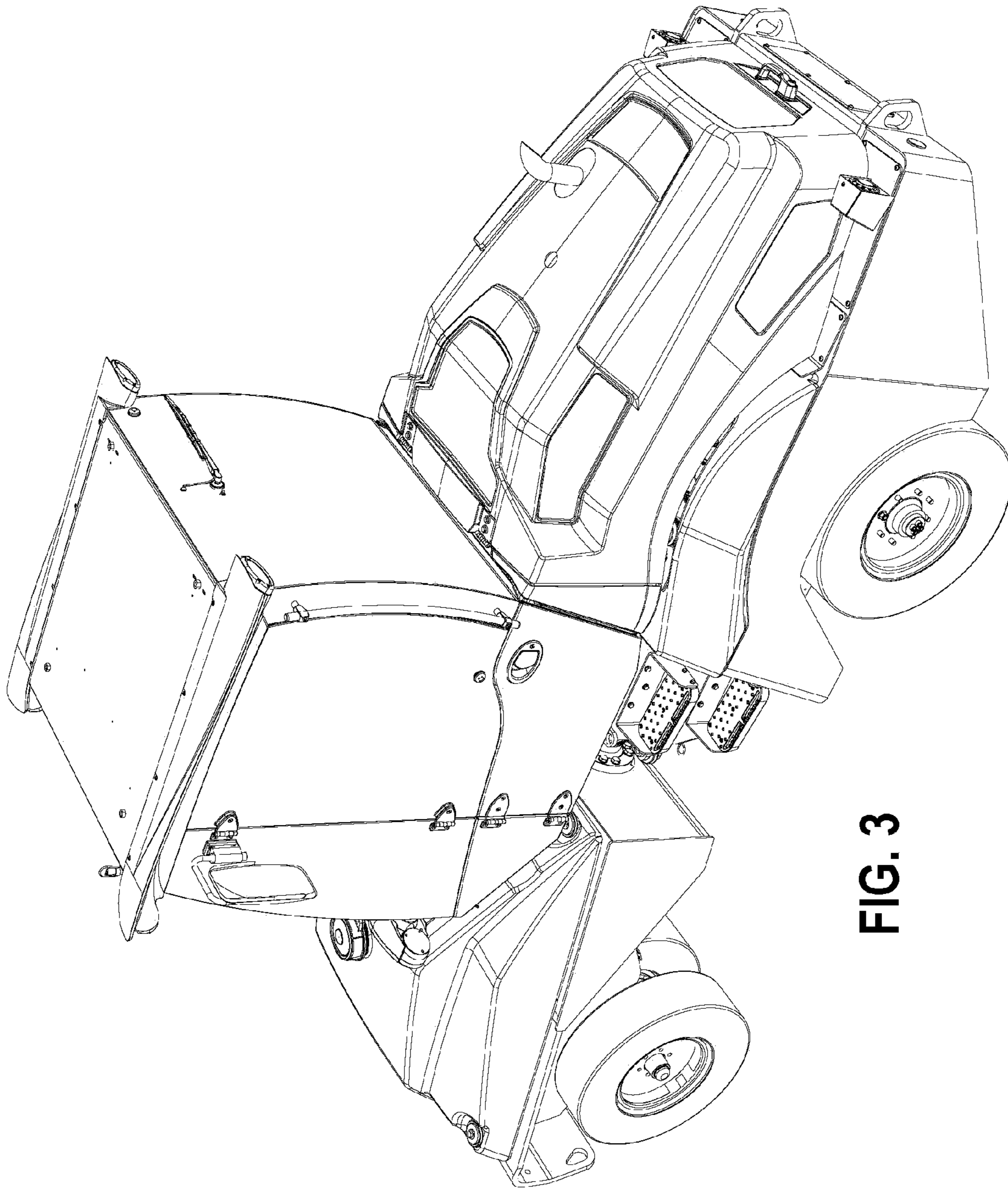


FIG. 3

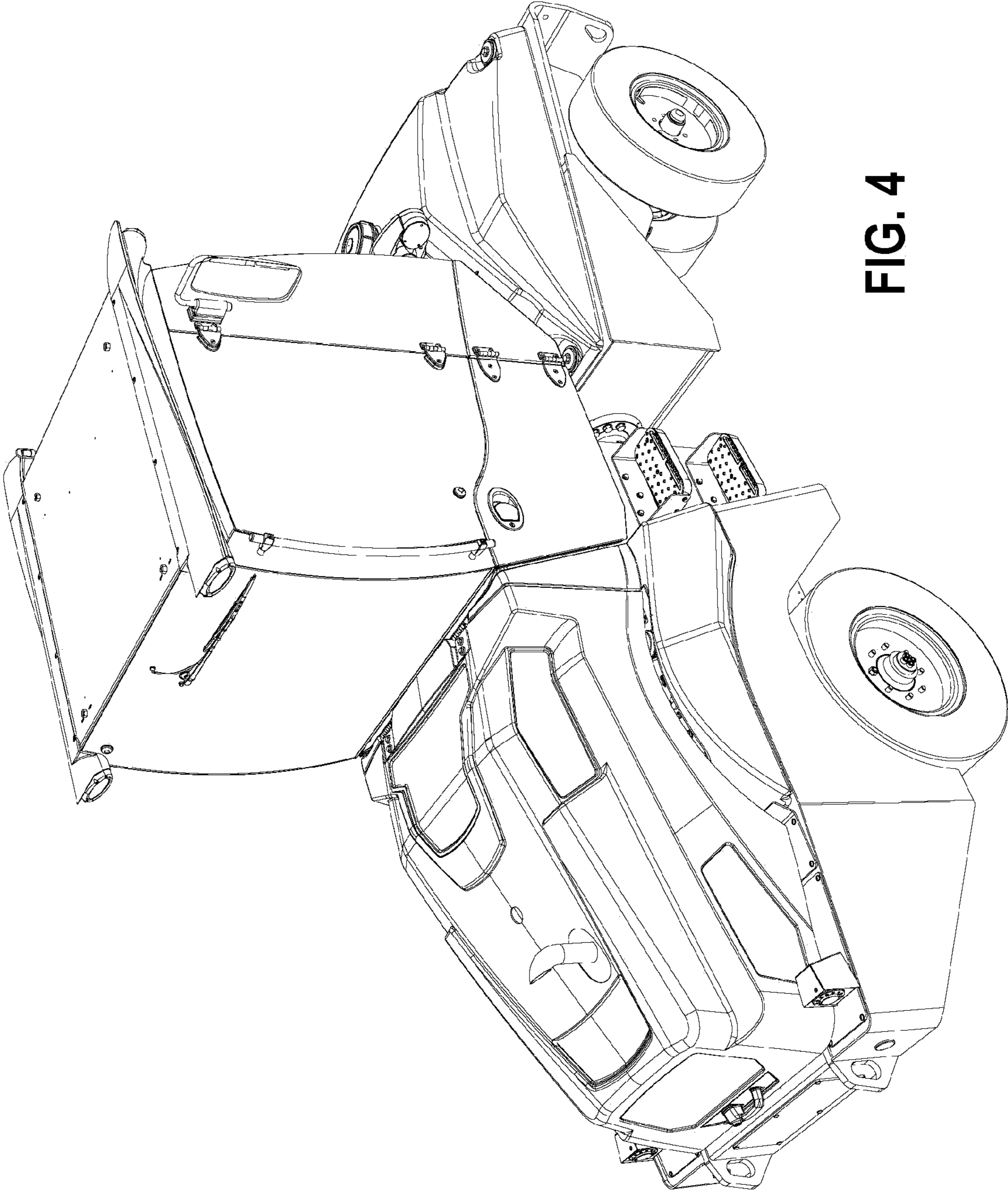


FIG. 4

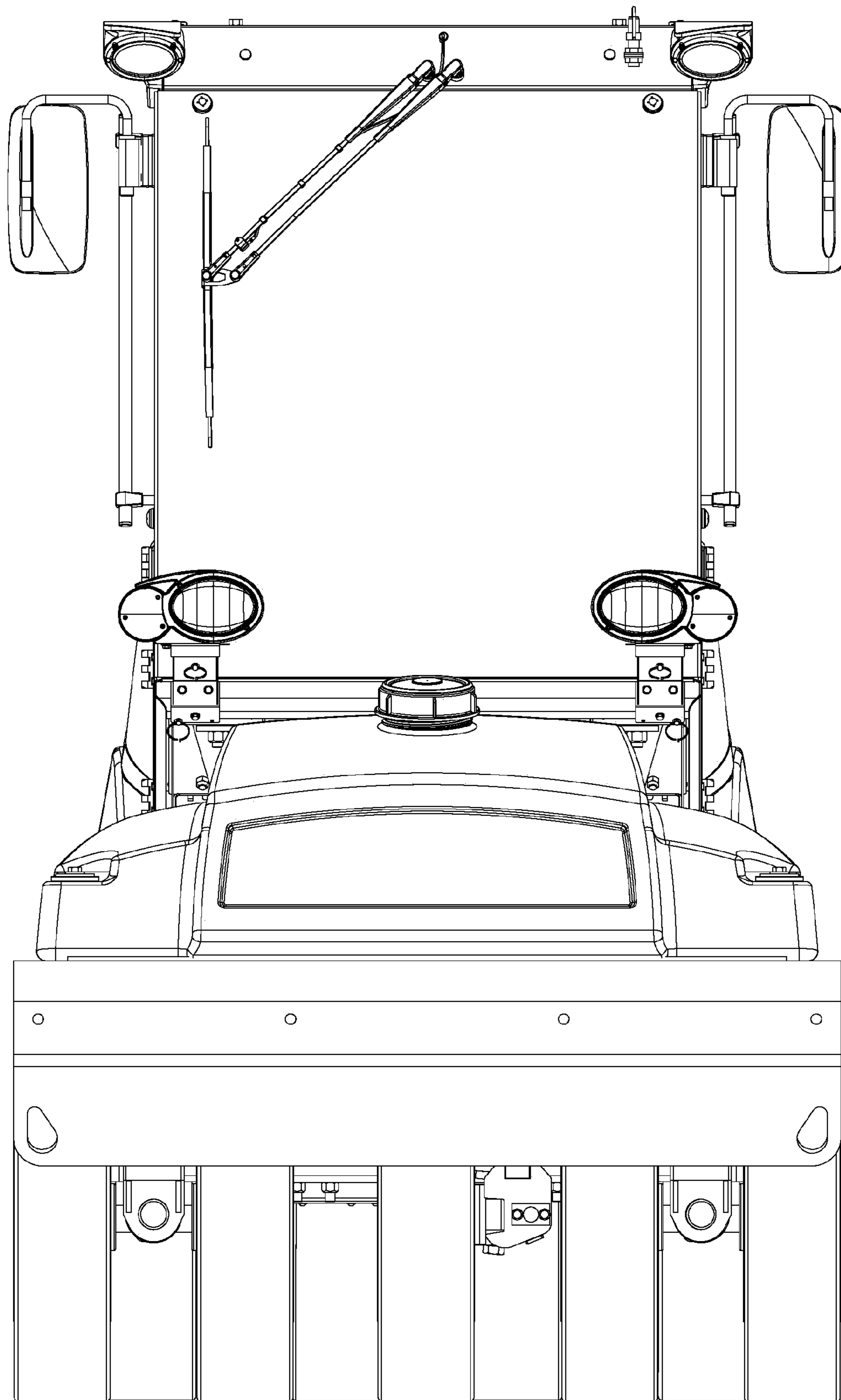


FIG. 5

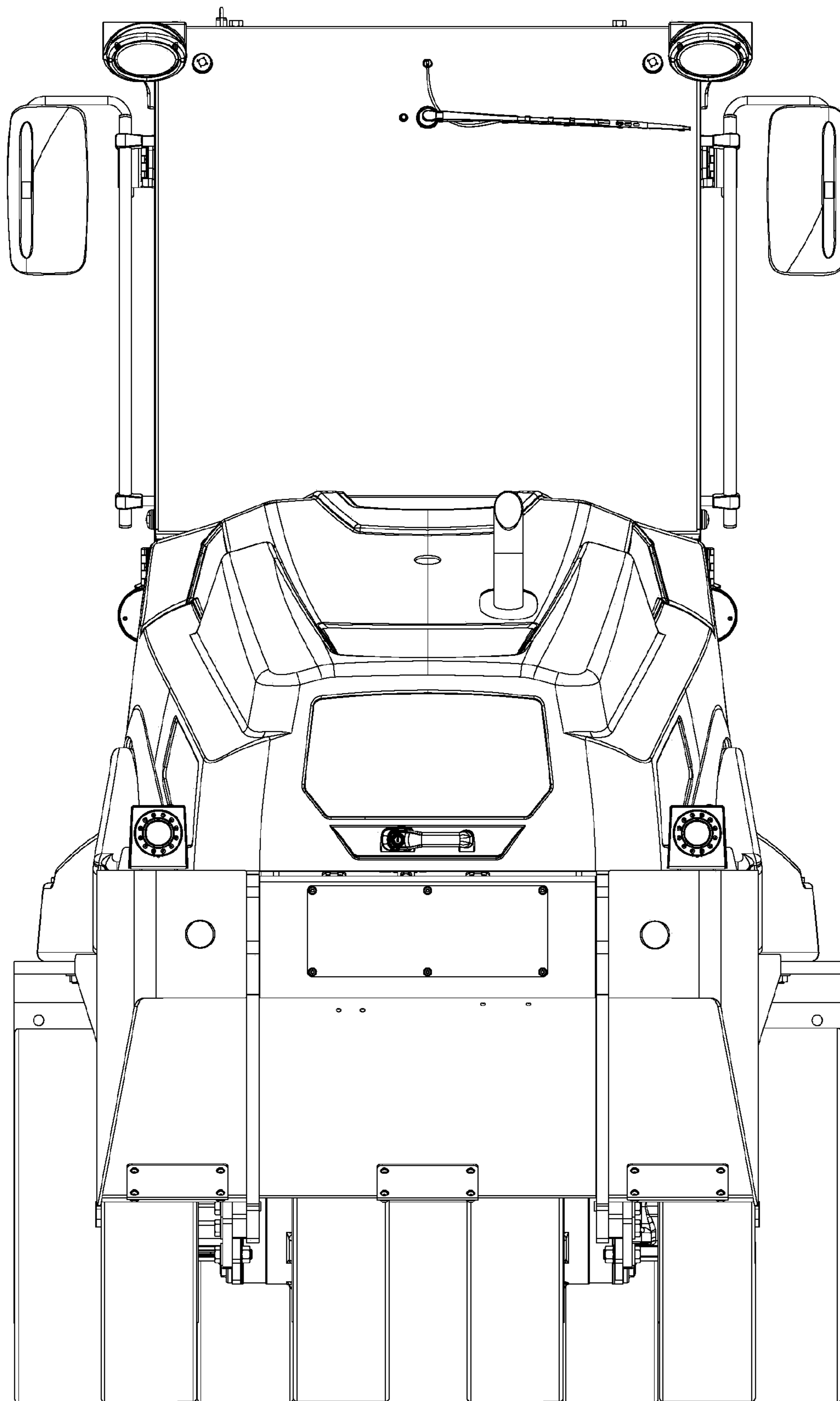


FIG. 6

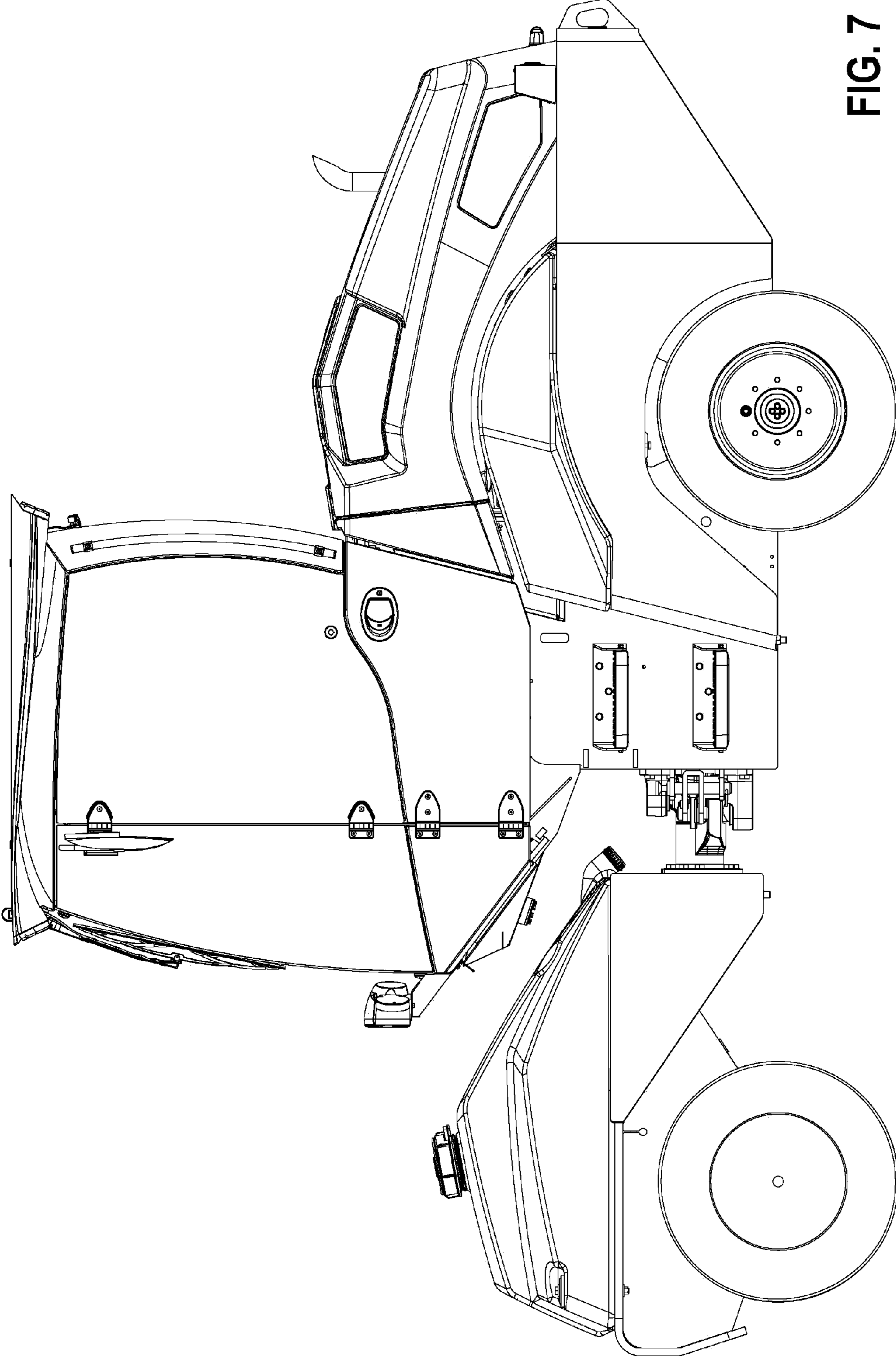


FIG. 7



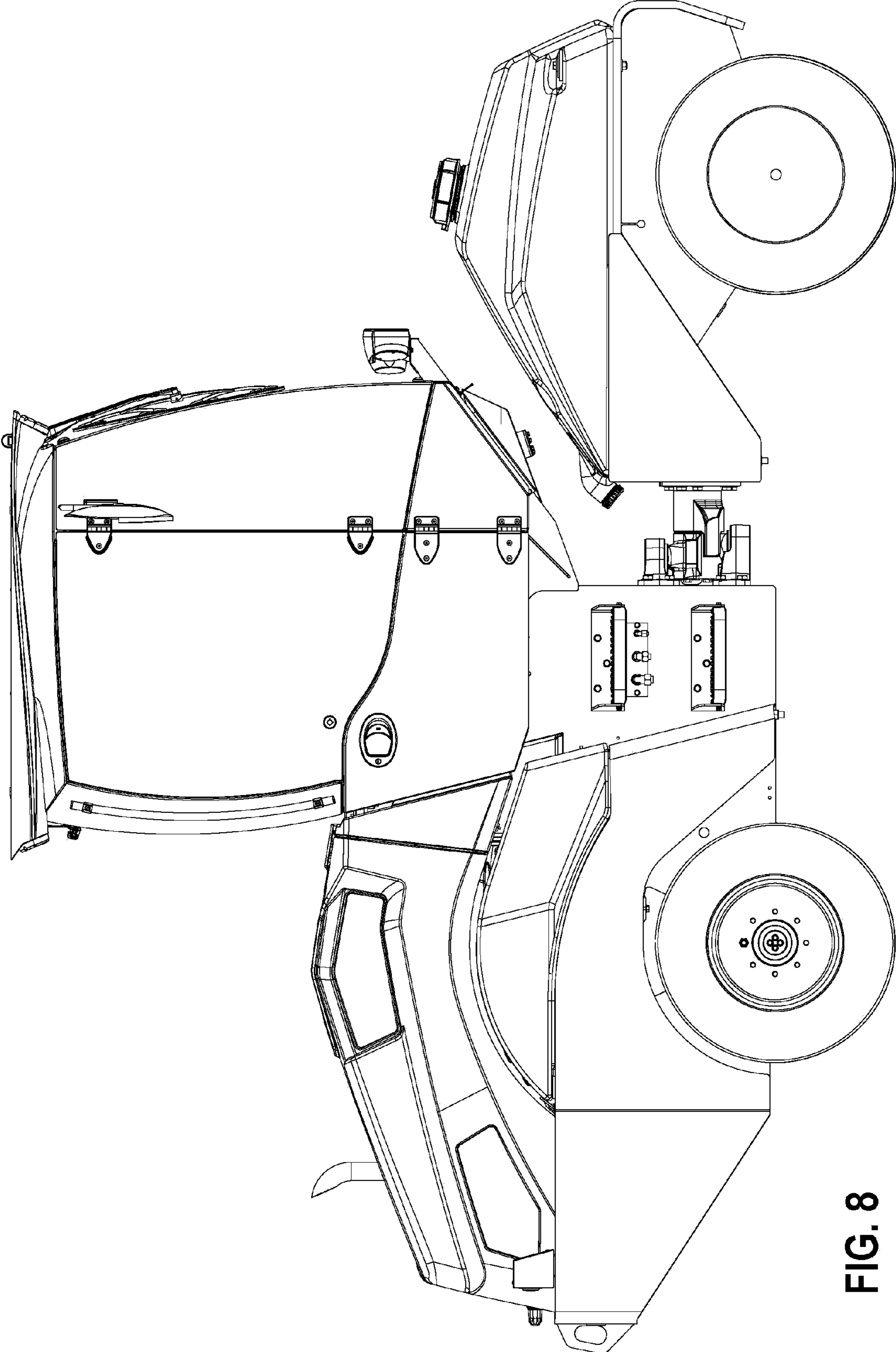


FIG. 8

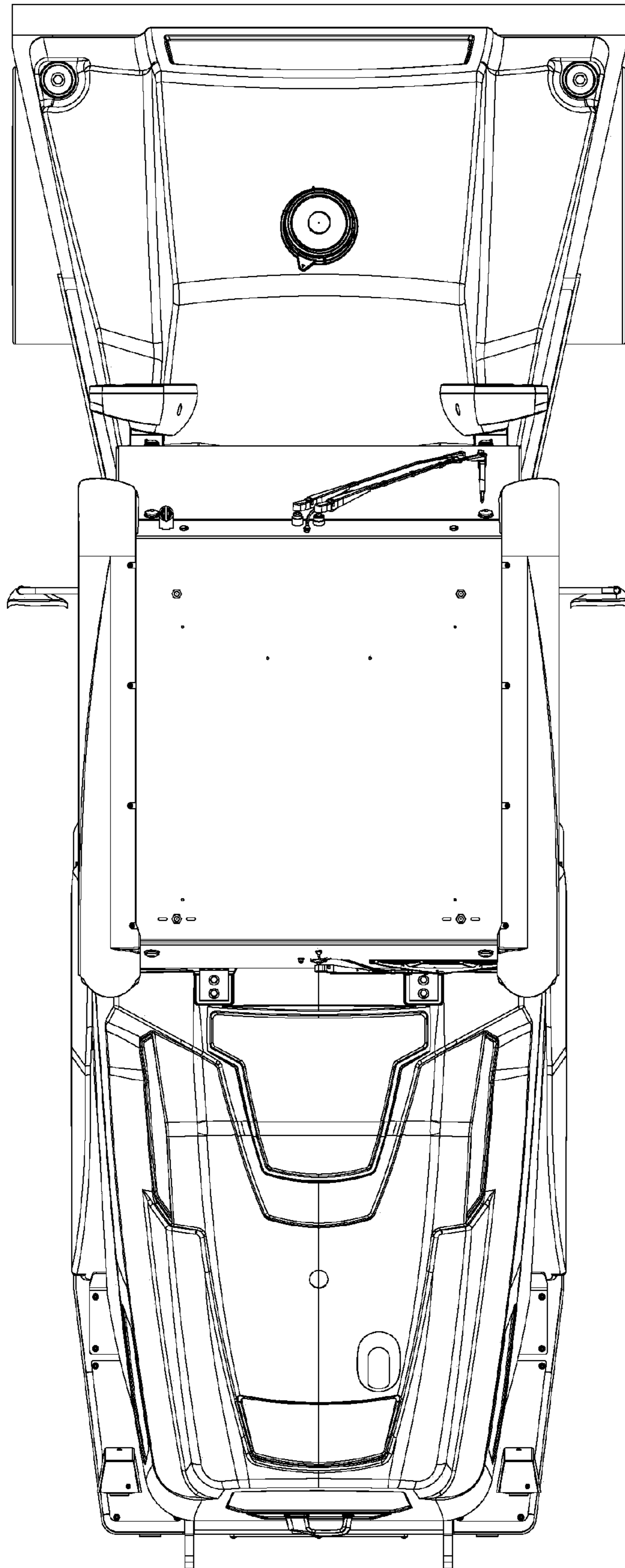


FIG. 9

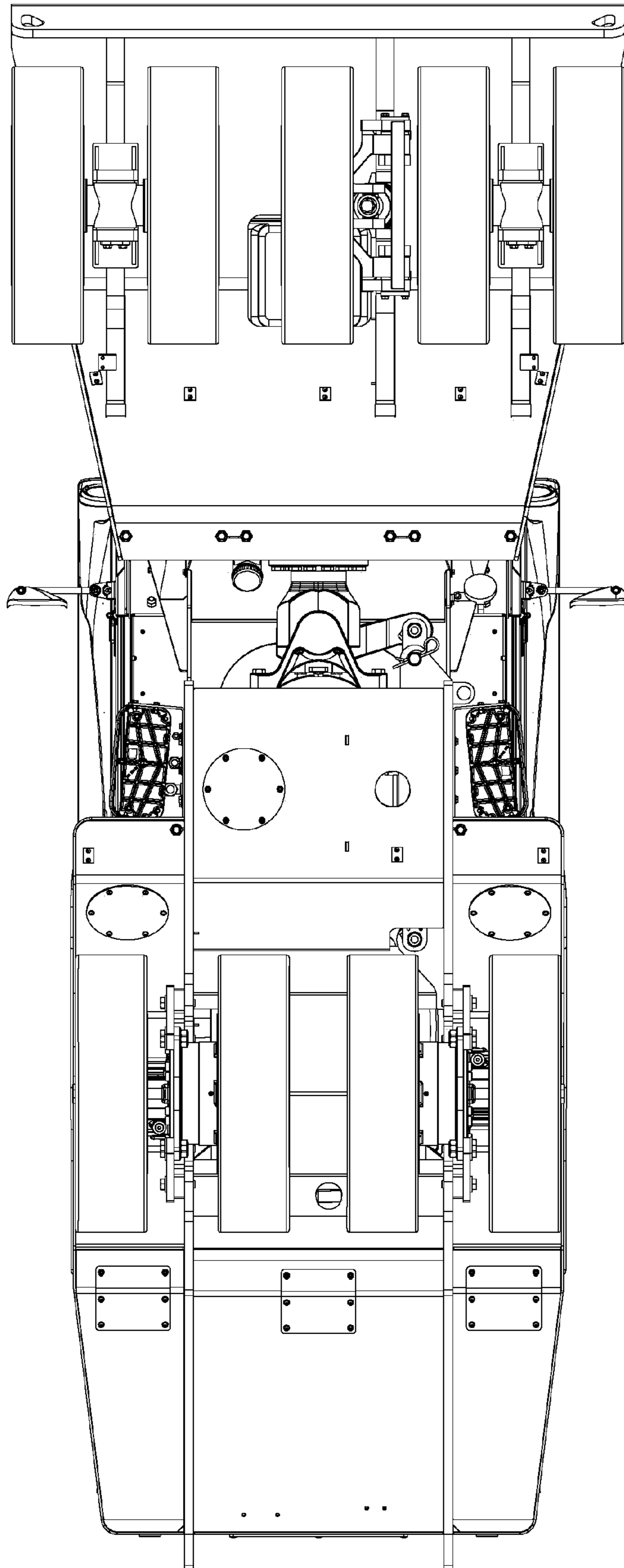


FIG. 10