



US00D749141S

(12) **United States Design Patent**
Zeller

(10) **Patent No.:** **US D749,141 S**
(45) **Date of Patent:** **** Feb. 9, 2016**

- (54) **POWER DISCHARGE DIVERTER**
- (71) Applicant: **Ferdinand Zeller**, Pensacola, FL (US)
- (72) Inventor: **Ferdinand Zeller**, Pensacola, FL (US)
- (**) Term: **14 Years**
- (21) Appl. No.: **29/504,015**
- (22) Filed: **Oct. 1, 2014**
- (51) **LOC (10) Cl.** **15-03**
- (52) **U.S. Cl.**
USPC **D15/17**
- (58) **Field of Classification Search**
USPC D15/10, 11, 14-18, 22-26, 28
CPC .. A01D 75/185; A01D 34/71; A01D 2101/00
See application file for complete search history.

- D556,788 S * 12/2007 Bucher et al. D15/17
- D564,543 S * 3/2008 Bucher et al. D15/17
- D565,604 S * 4/2008 Bucher et al. D15/17
- 7,726,110 B2 * 6/2010 Nicholson 56/320.2
- 8,015,785 B2 9/2011 Walker et al.
- D703,242 S * 4/2014 Zeller D15/17

* cited by examiner

Primary Examiner — Mitchell Siegel
(74) *Attorney, Agent, or Firm* — QuickPatents; Kevin Prince

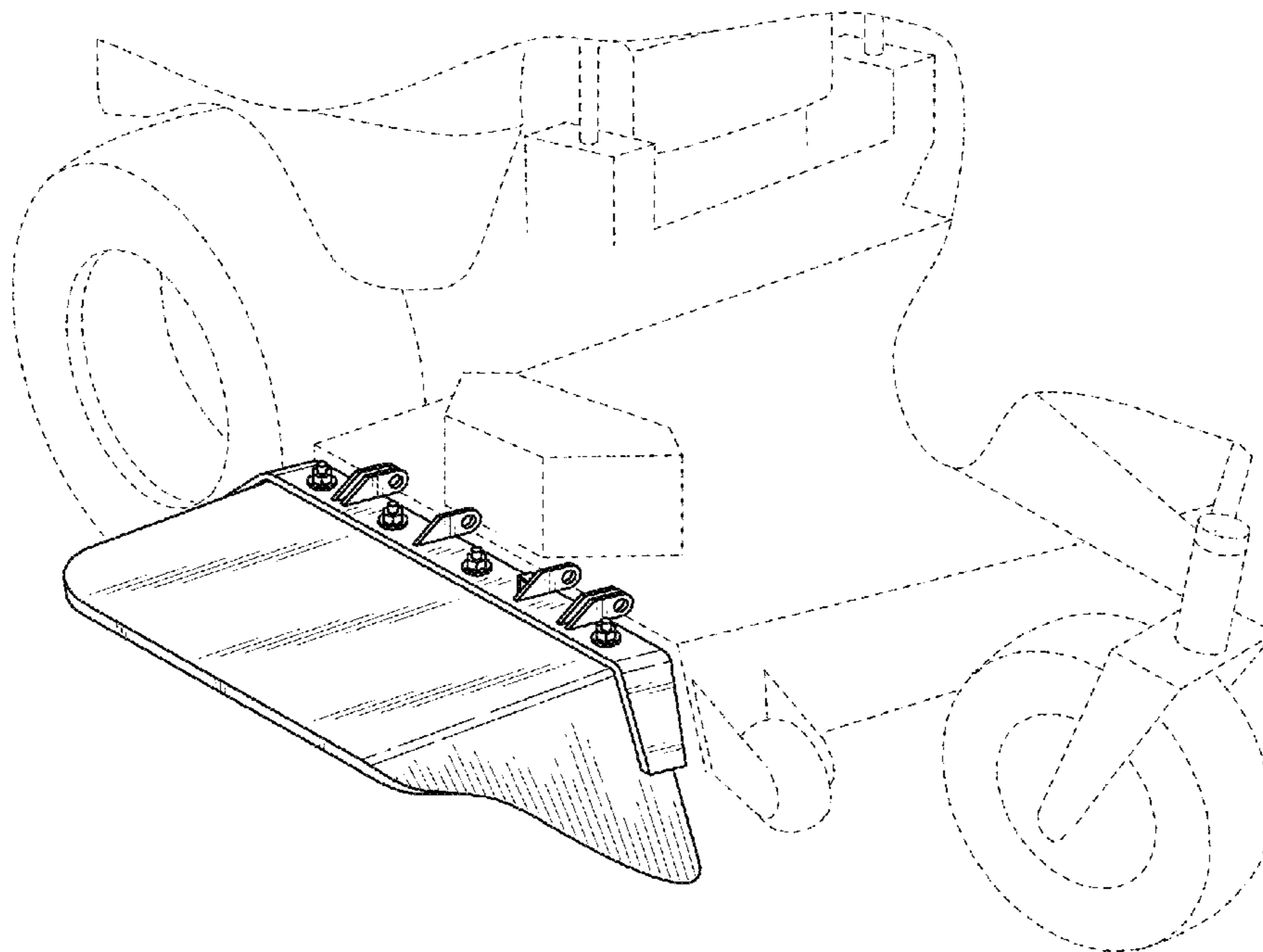
(57) **CLAIM**
I claim the ornamental design for a power discharge diverter, as shown and described.

DESCRIPTION

FIG. 1 is a perspective view of a power discharge diverter, showing my new design;
FIG. 2 is a front elevational view thereof;
FIG. 3 is a rear elevational view thereof;
FIG. 4 is a left-side elevational view thereof;
FIG. 5 is a right-side elevational view thereof;
FIG. 6 is a top plan view thereof; and,
FIG. 7 is a bottom plan view thereof.
The broken lines showing a lawn mower in FIG. 1 depict environmental matter and form no part of the claimed design.

1 Claim, 3 Drawing Sheets

- (56) **References Cited**
U.S. PATENT DOCUMENTS
- | | | | | | |
|-----------|------|--------|-----------------|-------|----------|
| 2,756,556 | A * | 7/1956 | Watkins | | 56/189 |
| D230,761 | S | 3/1974 | Cope | | |
| D354,964 | S | 1/1995 | Reichle | | |
| 6,012,274 | A | 1/2000 | Eavenson et al. | | |
| 6,874,309 | B1 * | 4/2005 | Bellis, Jr. | | 56/320.2 |
| 6,986,240 | B2 * | 1/2006 | Kallevig | | 56/320.2 |



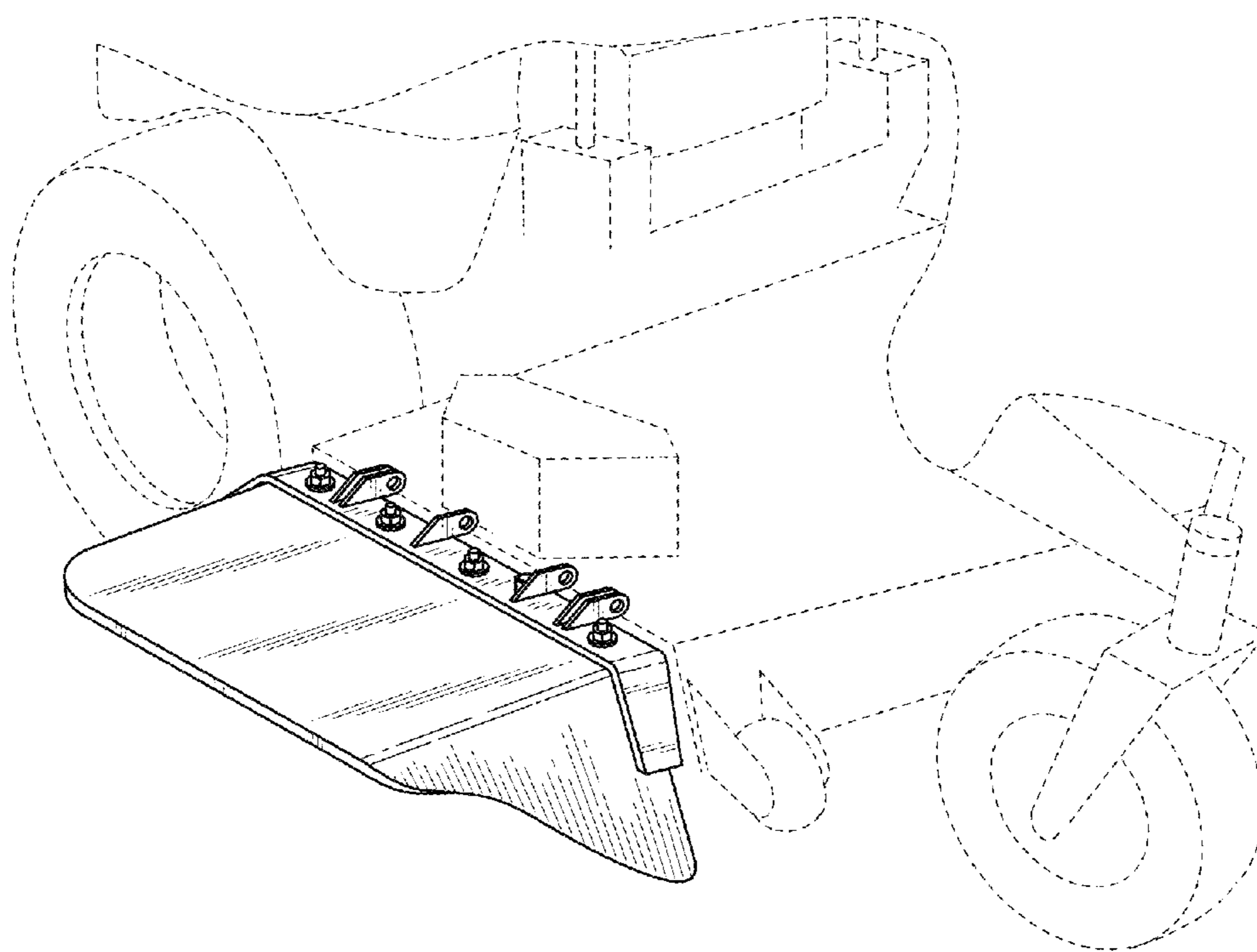


FIG. 1

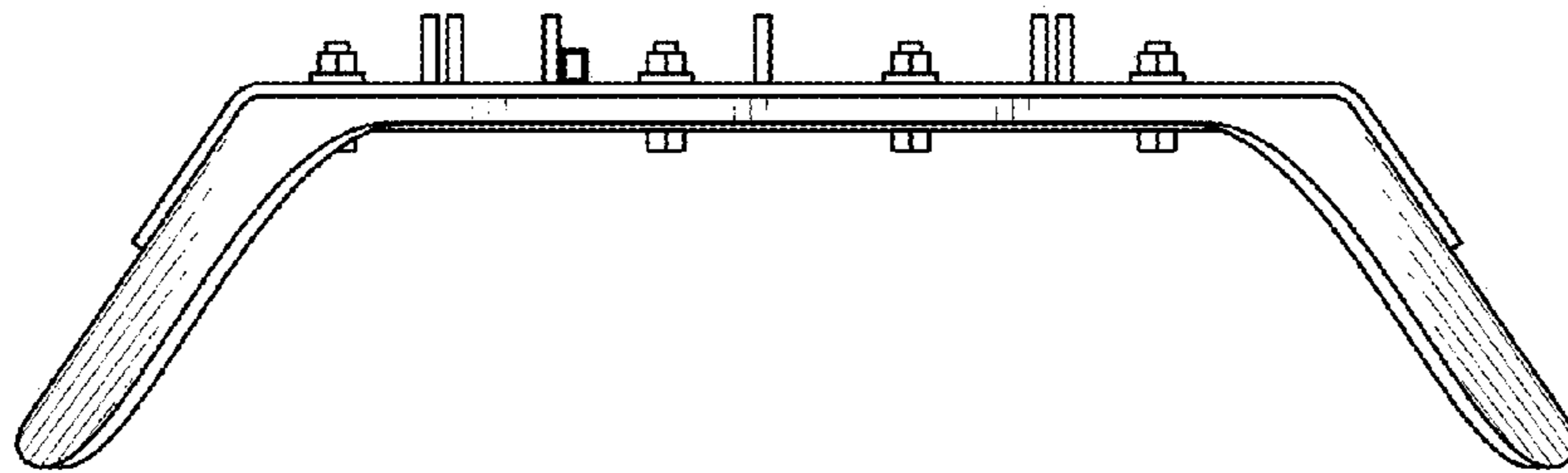


FIG. 2

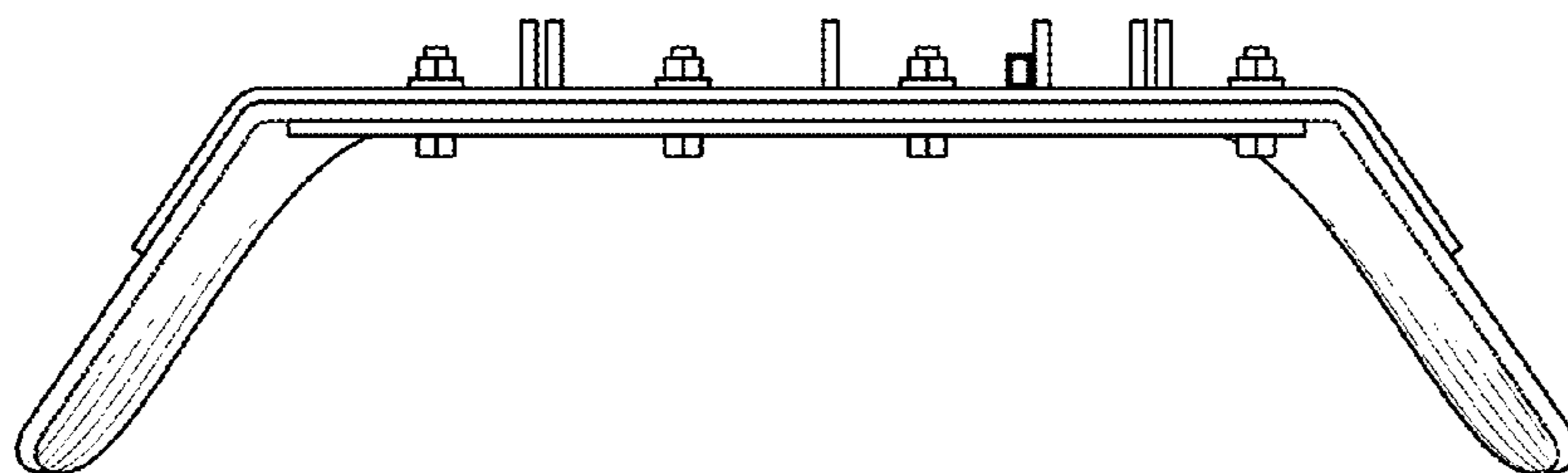


FIG. 3

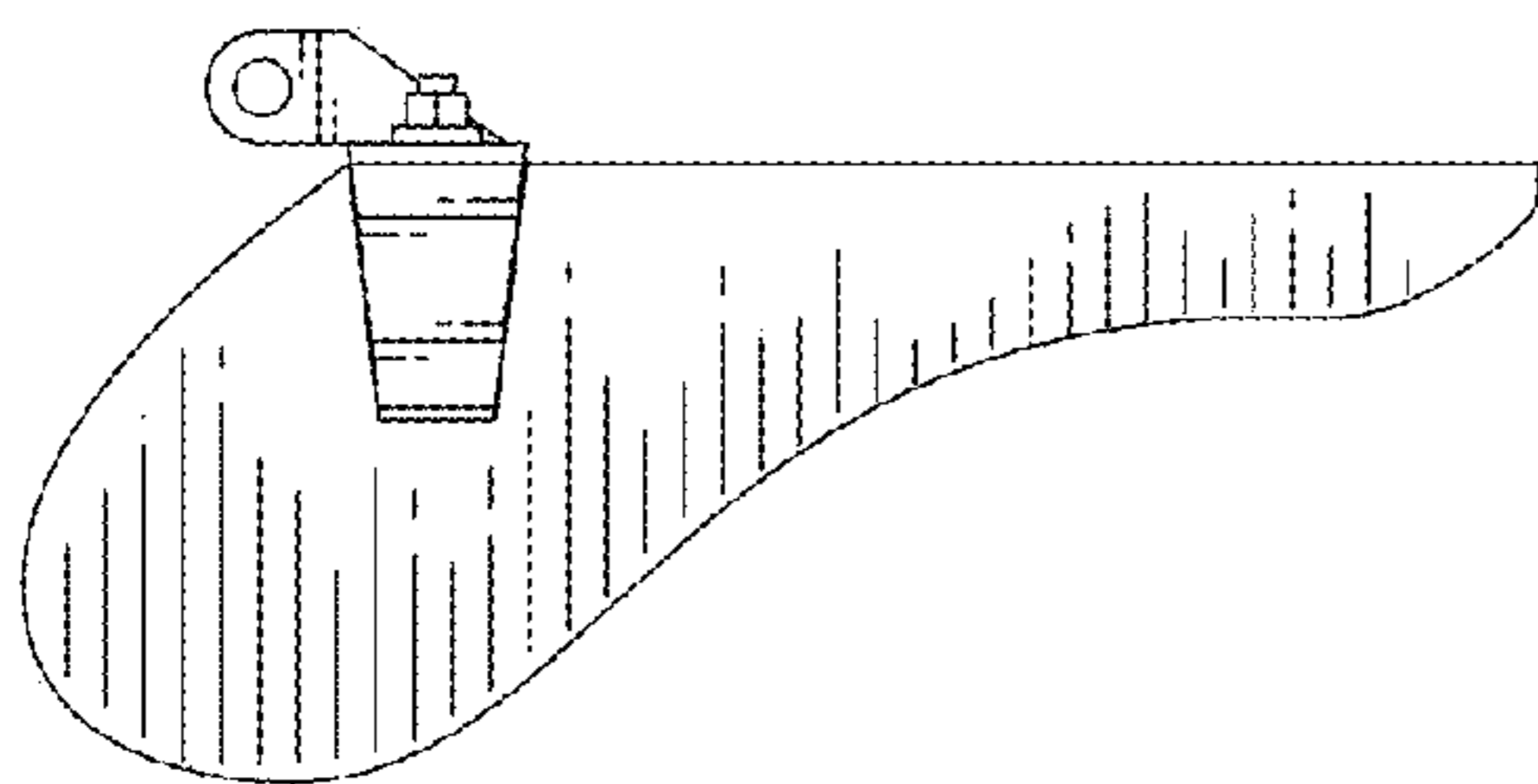


FIG. 4

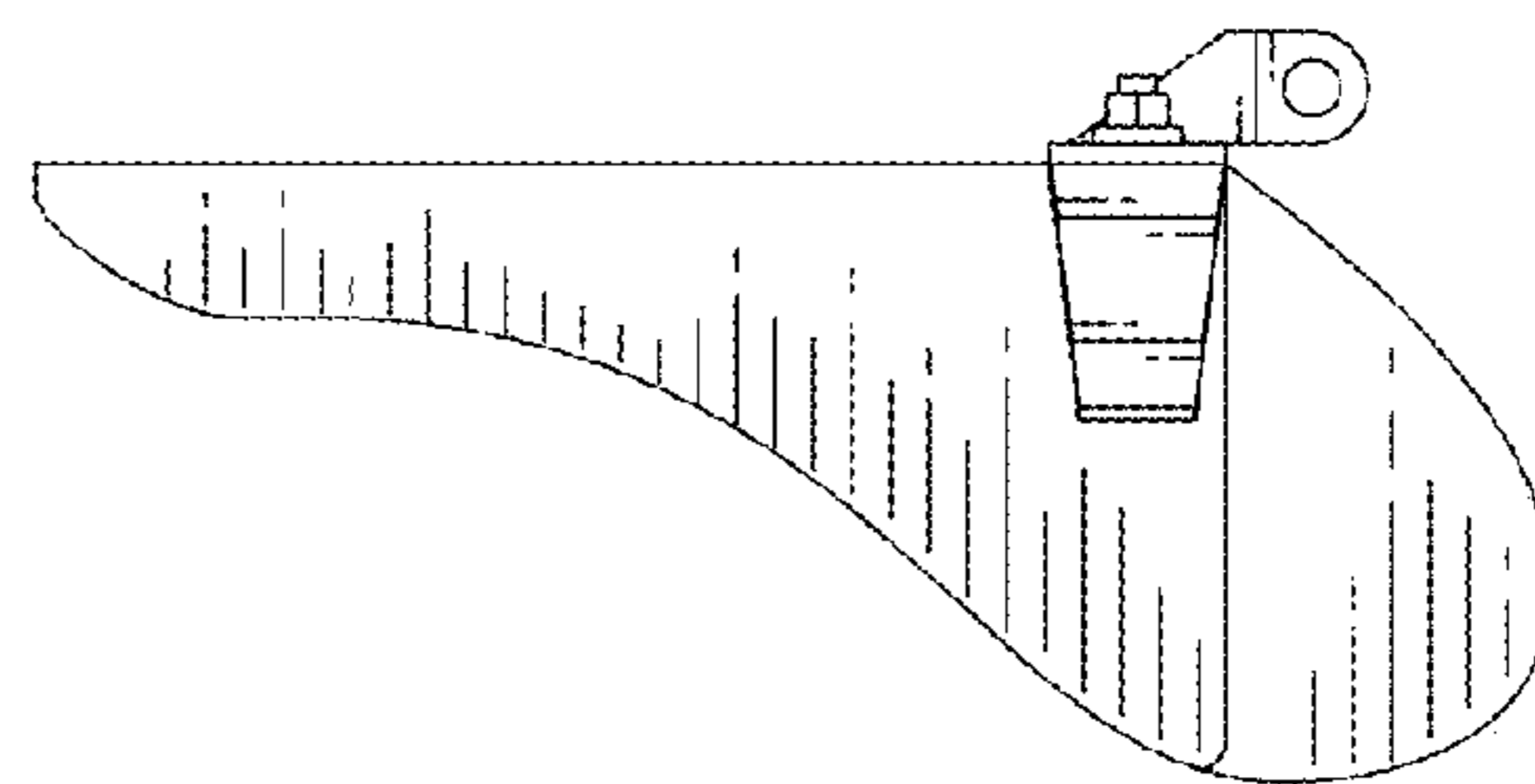


FIG. 5

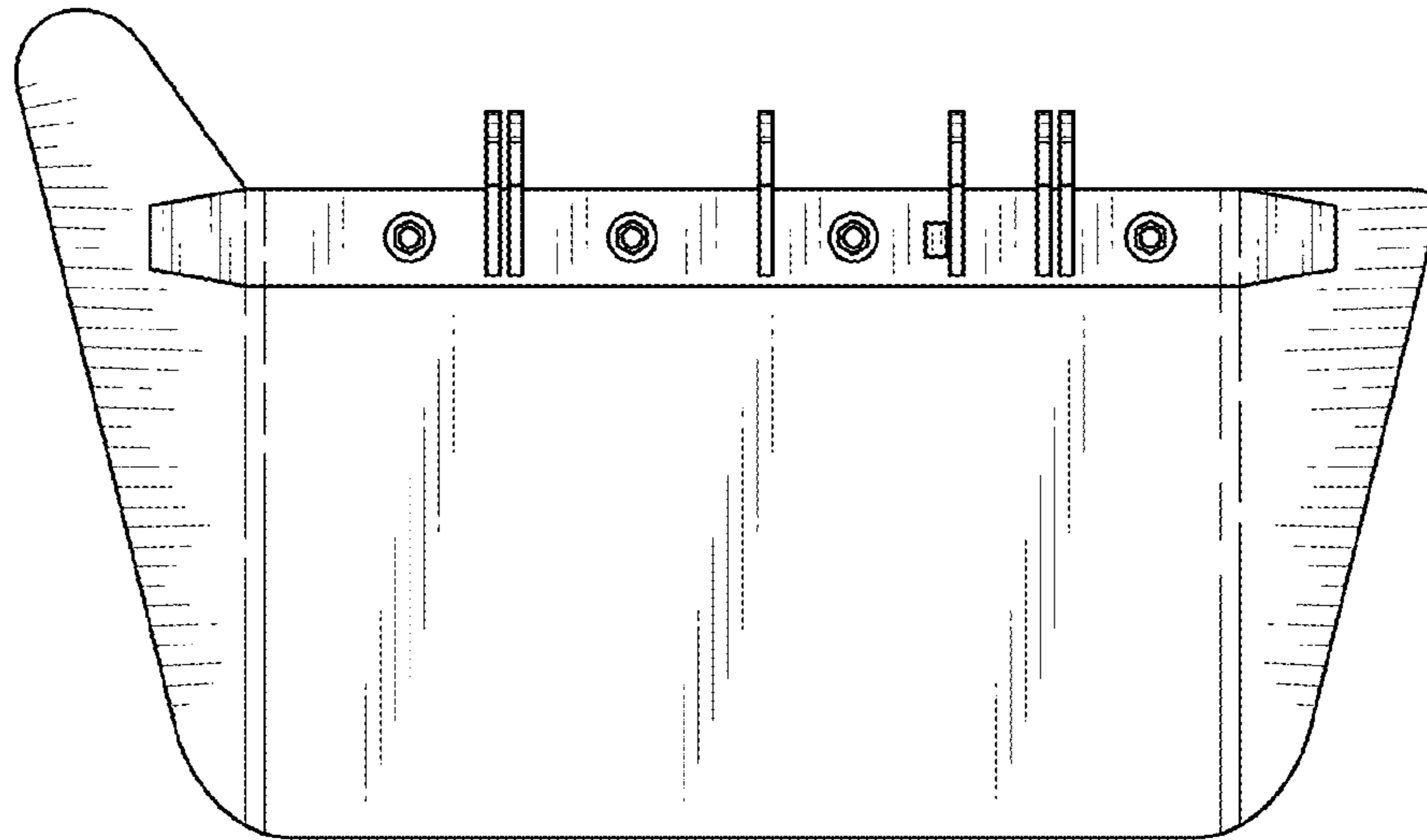


FIG. 6

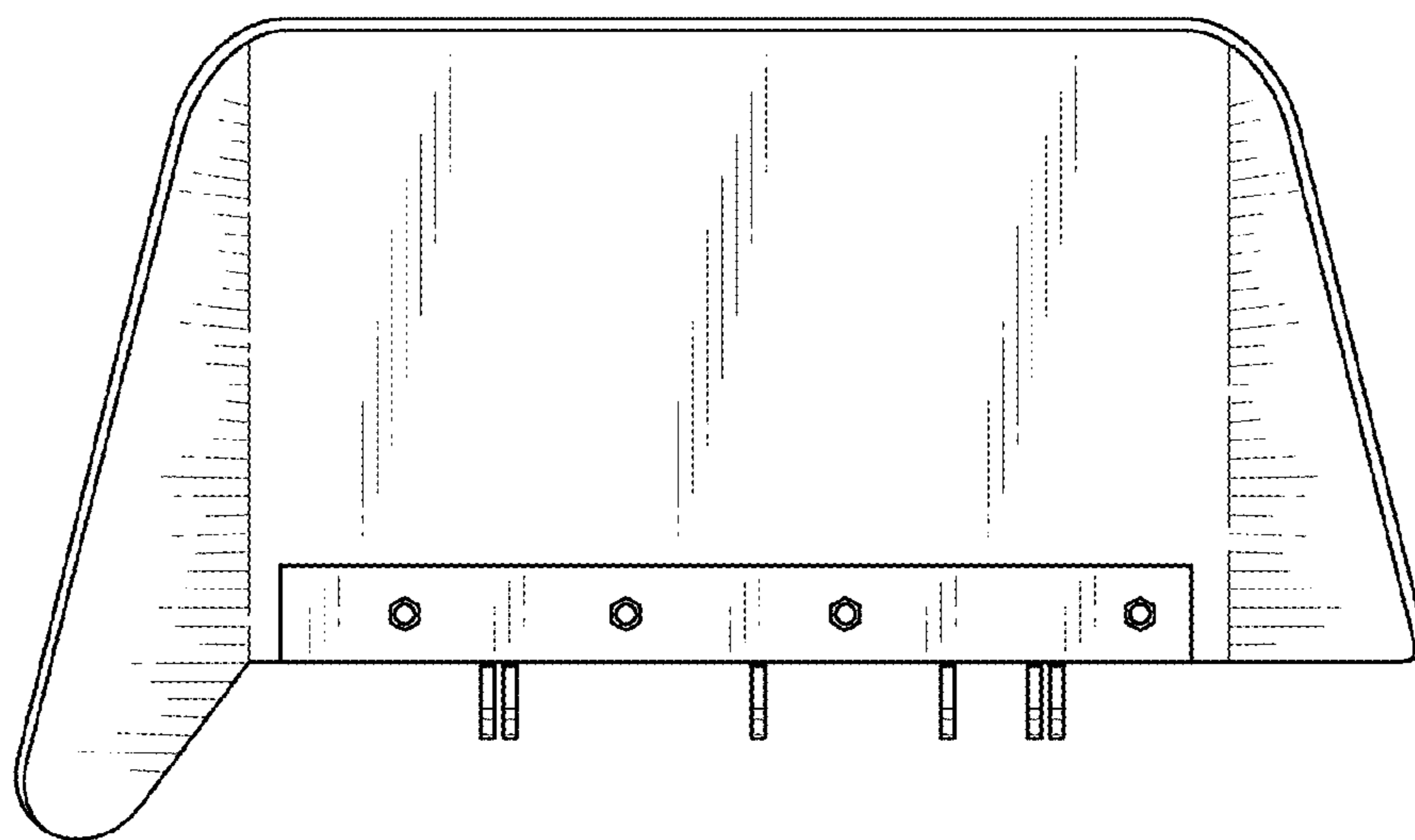


FIG. 7