



US00D749140S

(12) **United States Design Patent**
Ortiz

(10) **Patent No.:** **US D749,140 S**

(45) **Date of Patent:** **** *Feb. 9, 2016**

- (54) **TILLER HEAD**
- (71) Applicant: **TURBO-PLUS, INC.**, Vaughan (CA)
- (72) Inventor: **George A Ortiz**, La Mirada, CA (US)
- (73) Assignee: **Turbo-Plus, Inc.**, Vaughn, Ontario (CA)
- (*) Notice: This patent is subject to a terminal disclaimer.
- (**) Term: **14 Years**
- (21) Appl. No.: **29/496,544**
- (22) Filed: **Jul. 15, 2014**
- (51) **LOC (10) Cl.** **15-03**
- (52) **U.S. Cl.**
USPC **D15/11; D8/1**
- (58) **Field of Classification Search**
USPC D15/11, 12, 17, 21, 29; D8/1, 13;
294/50.6; 30/123, 276, 314, 315, 316,
30/DIG. 7; 172/21, 41, 12, 15, 111,
172/371-374, 378, 379, 37, 44, 110, 14, 25,
172/48-52, 765, 13
CPC A01B 1/06; A01B 1/243; A01B 1/065;
A01B 1/20; A01B 33/10; A01B 33/00
See application file for complete search history.

4,213,504	A *	7/1980	Schneider	172/25
4,547,966	A *	10/1985	Eden	30/300
4,641,712	A *	2/1987	Cravotta	172/25
4,832,131	A *	5/1989	Powell et al.	172/25
4,862,682	A *	9/1989	Wait et al.	56/255
4,905,768	A *	3/1990	Lorenz	172/25
5,005,888	A *	4/1991	Parks et al.	294/50
5,207,466	A *	5/1993	Ohlson	294/61
5,441,118	A *	8/1995	Cruz, Jr.	172/378
5,469,923	A *	11/1995	Visser	172/22
5,706,900	A *	1/1998	Liao	172/378
5,740,869	A *	4/1998	Sandholzer	172/378
D406,219	S *	3/1999	Basek	D8/13
5,909,778	A *	6/1999	Acosta et al.	172/111
5,988,292	A *	11/1999	Knotts	172/41
6,311,782	B1 *	11/2001	Plasek et al.	172/13
6,340,061	B2 *	1/2002	Marshall et al.	172/41
6,536,535	B1 *	3/2003	Washek	172/378
6,722,444	B2 *	4/2004	McKill	172/41
6,854,524	B1 *	2/2005	Williams	172/13
7,451,832	B1 *	11/2008	Delvo	172/25
D586,632	S *	2/2009	Lai	D8/6

(Continued)

Primary Examiner — Mark Goodwin
(74) *Attorney, Agent, or Firm* — The Miller Law Offices PLC; Steven J. Miller, Esq.

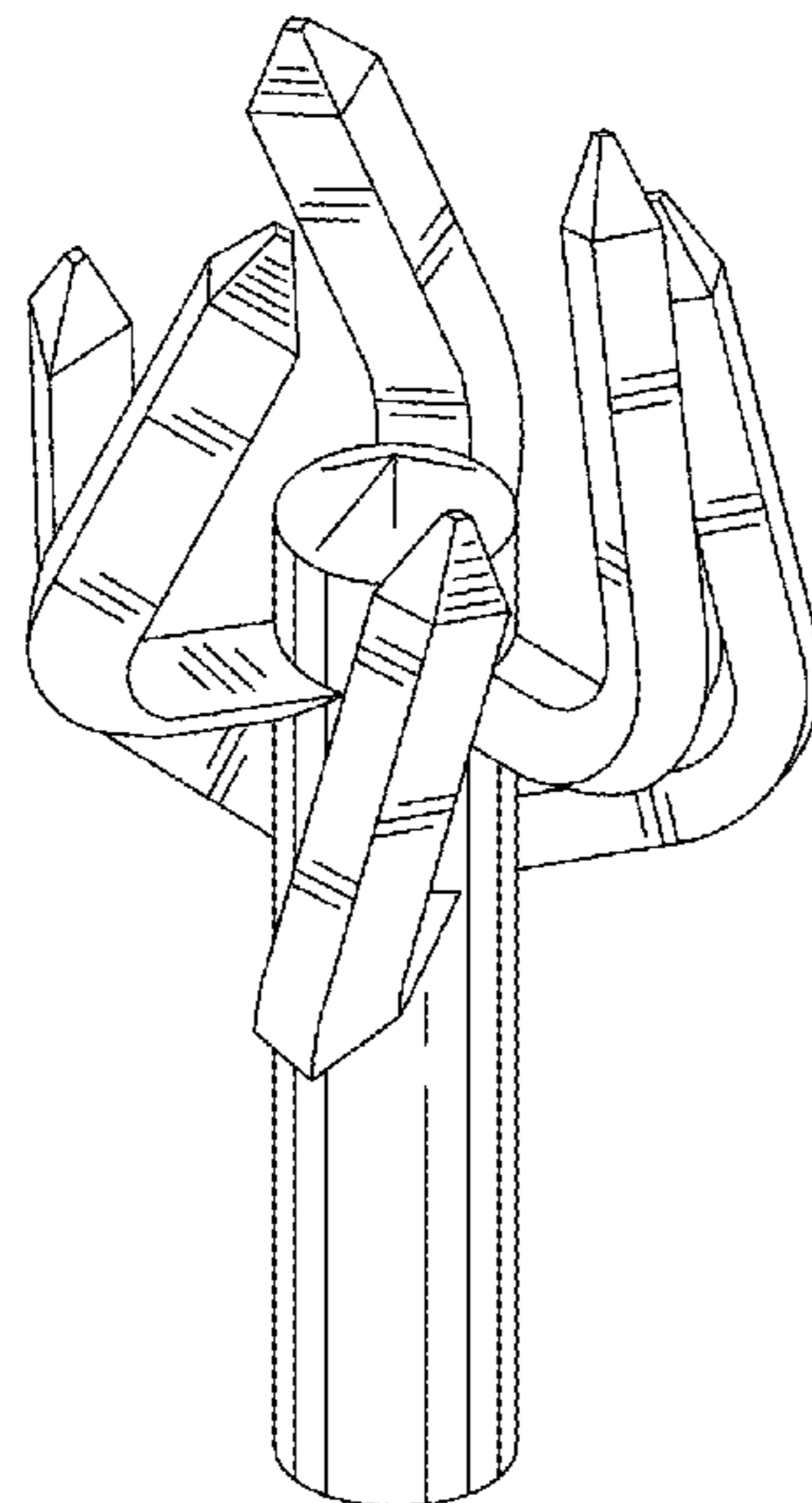
(57) **CLAIM**
The ornamental design for a tiller head, as shown and described.

DESCRIPTION

FIG. 1 is a perspective view of a tiller head showing my new design;
FIG. 2 is a top view of the tiller head;
FIG. 3 is a bottom view of the tiller head;
FIG. 4 is a front view of the tiller head;
FIG. 5 is a back view of the tiller head;
FIG. 6 is a right side elevation view of the tiller head; and,
FIG. 7 is a left side elevation view of the tiller head.

1 Claim, 3 Drawing Sheets

- (56) **References Cited**
U.S. PATENT DOCUMENTS
- 1,456,153 A * 5/1923 Seeger 175/403
- 2,214,142 A * 9/1940 Mall 366/122
- 2,500,647 A * 3/1950 Schulthess 294/61
- 2,809,067 A * 10/1957 Macchi 294/50.7
- 2,991,838 A * 7/1961 Lane 175/220
- 3,129,771 A * 4/1964 Lidstone 172/25
- 3,143,176 A * 8/1964 Drane, Jr. 172/13
- D248,654 S * 7/1978 Ruhl et al. D15/12



(56)

References Cited

U.S. PATENT DOCUMENTS

7,743,845 B2 * 6/2010 Ortiz 172/371
7,748,470 B2 * 7/2010 Ortiz 172/13
D663,323 S * 7/2012 Ortiz D15/11
2003/0230420 A1 * 12/2003 Brown 172/378
2004/0129436 A1 * 7/2004 Basek 172/378
2004/0188110 A1 * 9/2004 Liao 172/378
2005/0039583 A1 * 2/2005 McNulty 83/13

2005/0279516 A1 * 12/2005 Vipond 172/378
2006/0037765 A1 * 2/2006 Basek 172/378
2006/0124326 A1 * 6/2006 Gilley 172/378
2007/0169949 A1 * 7/2007 Ortiz 172/41
2008/0011498 A1 * 1/2008 Catlin 172/699
2008/0135267 A1 * 6/2008 Karczewski 172/378
2008/0217033 A1 * 9/2008 Ortiz 172/14
2008/0217035 A1 * 9/2008 Ortiz 172/526
2009/0255696 A1 * 10/2009 Ortiz 172/41

* cited by examiner

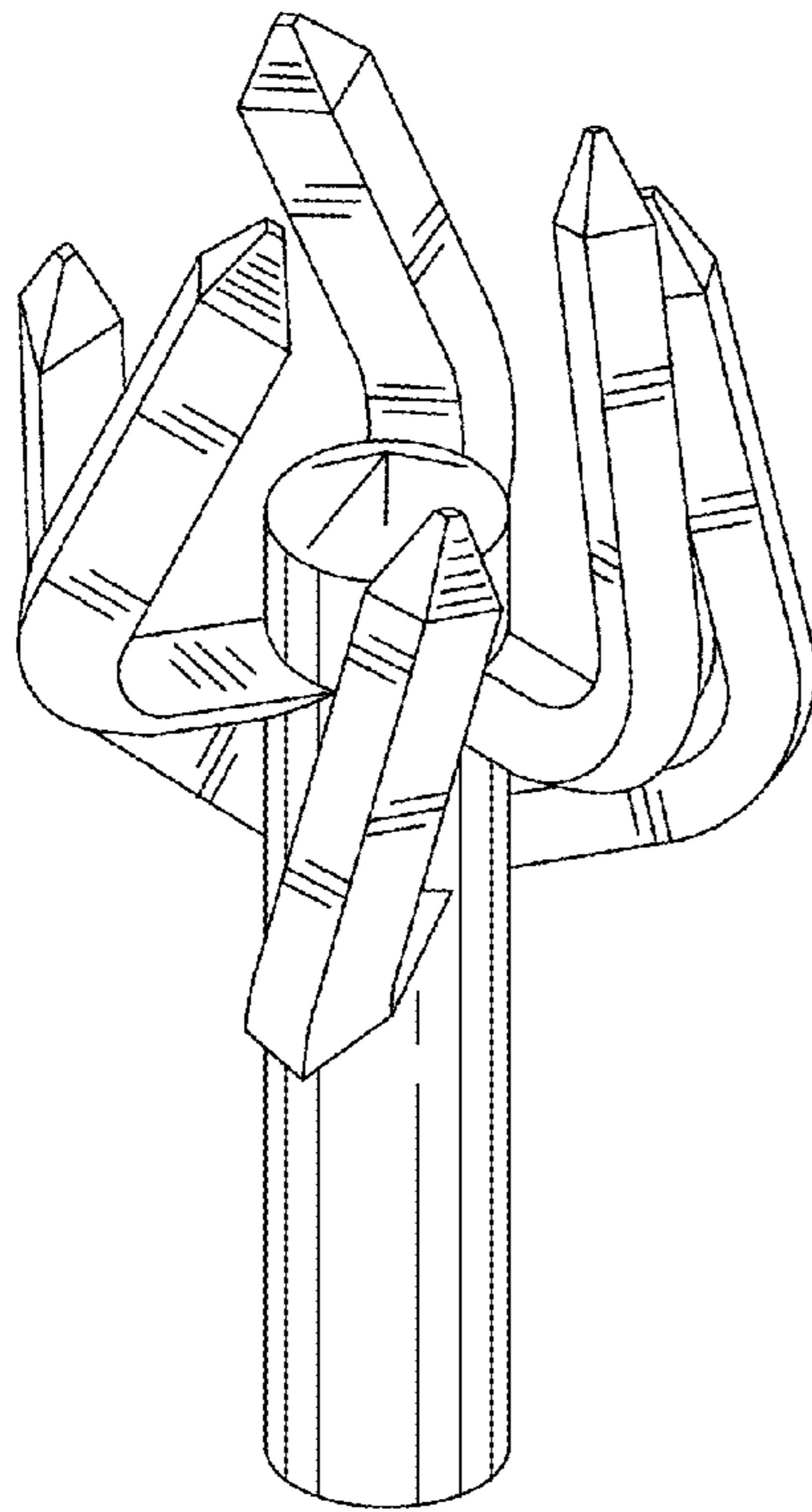


FIG. 1

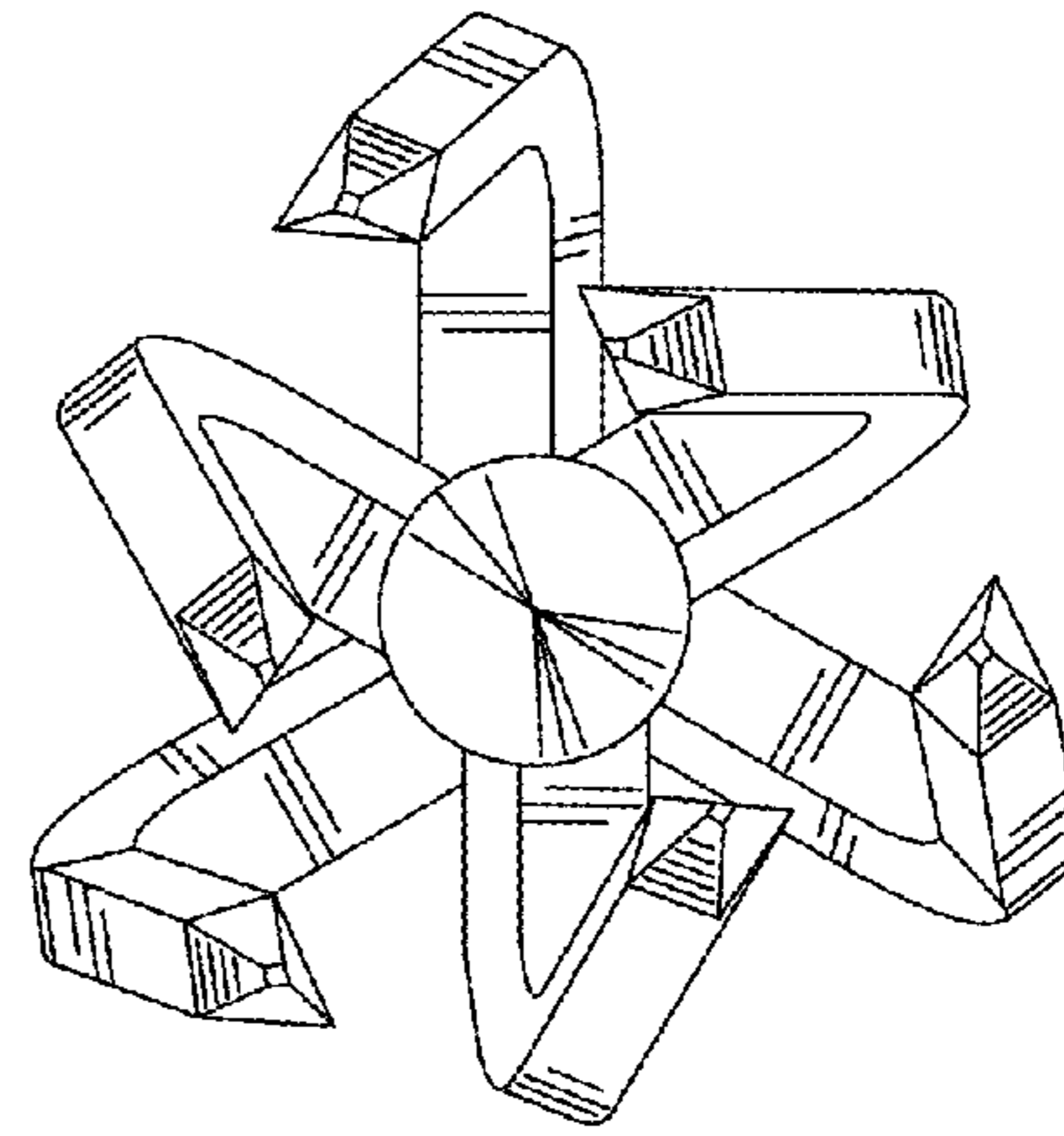


FIG. 2

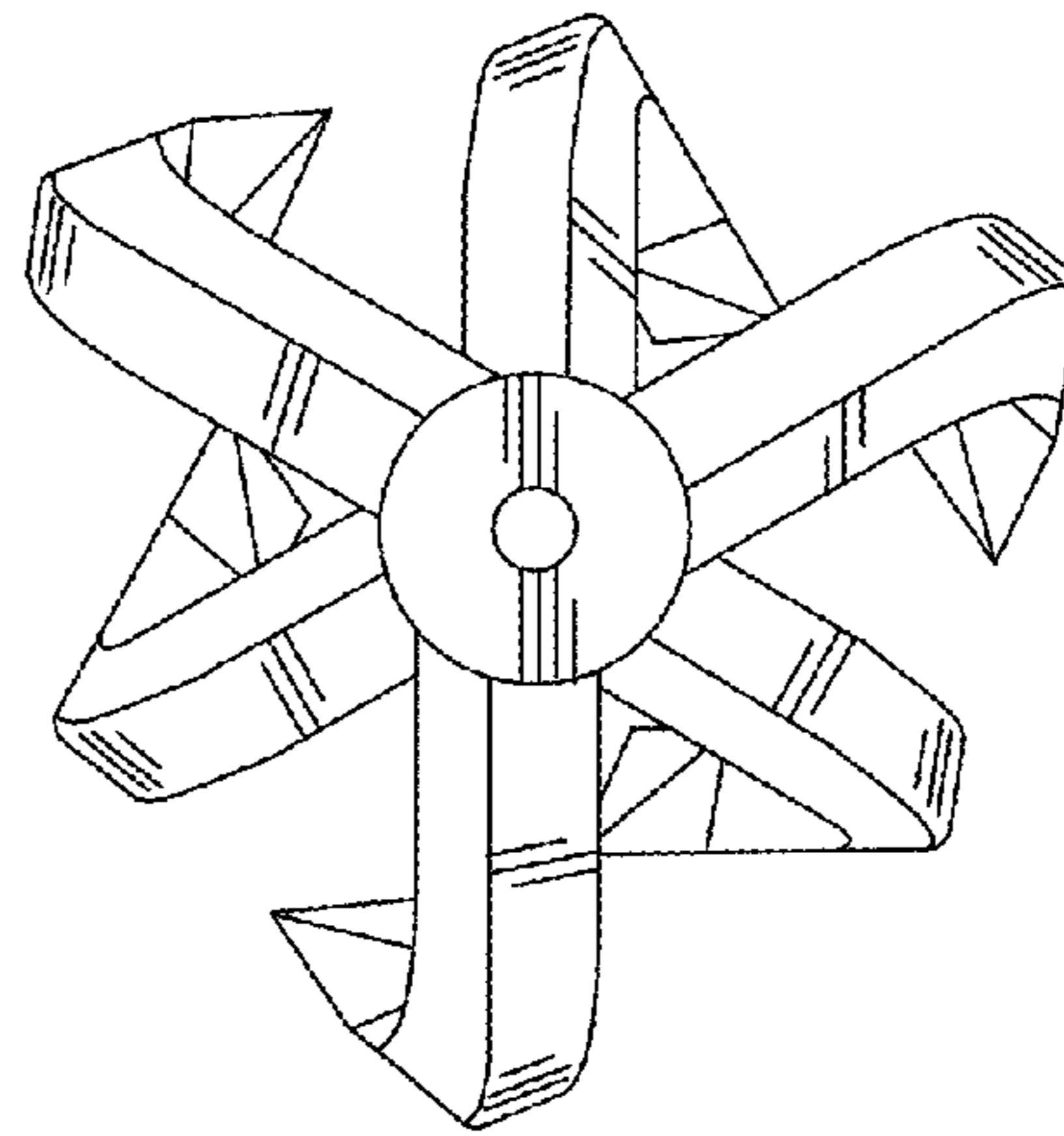


FIG. 3

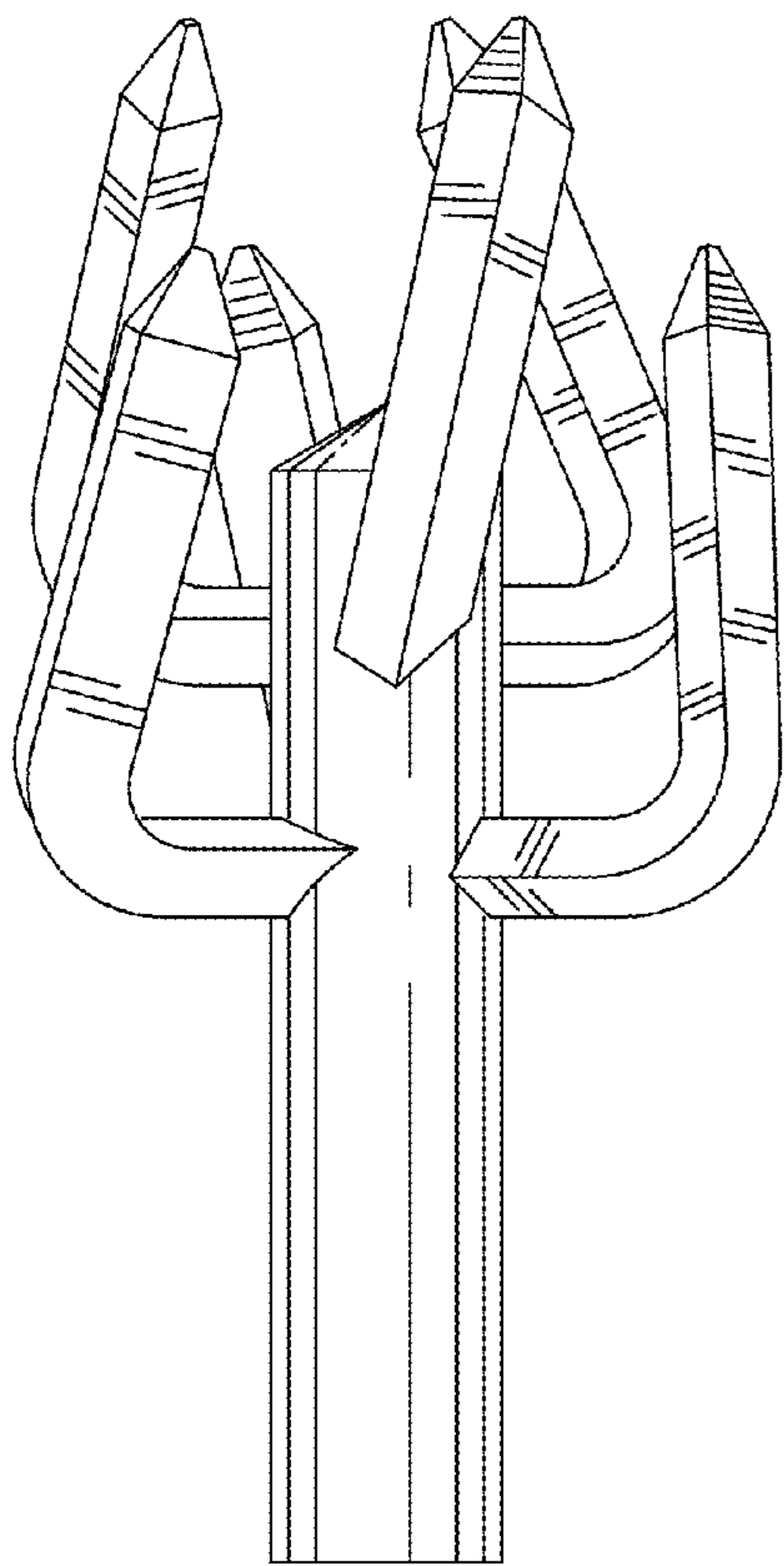


FIG. 4

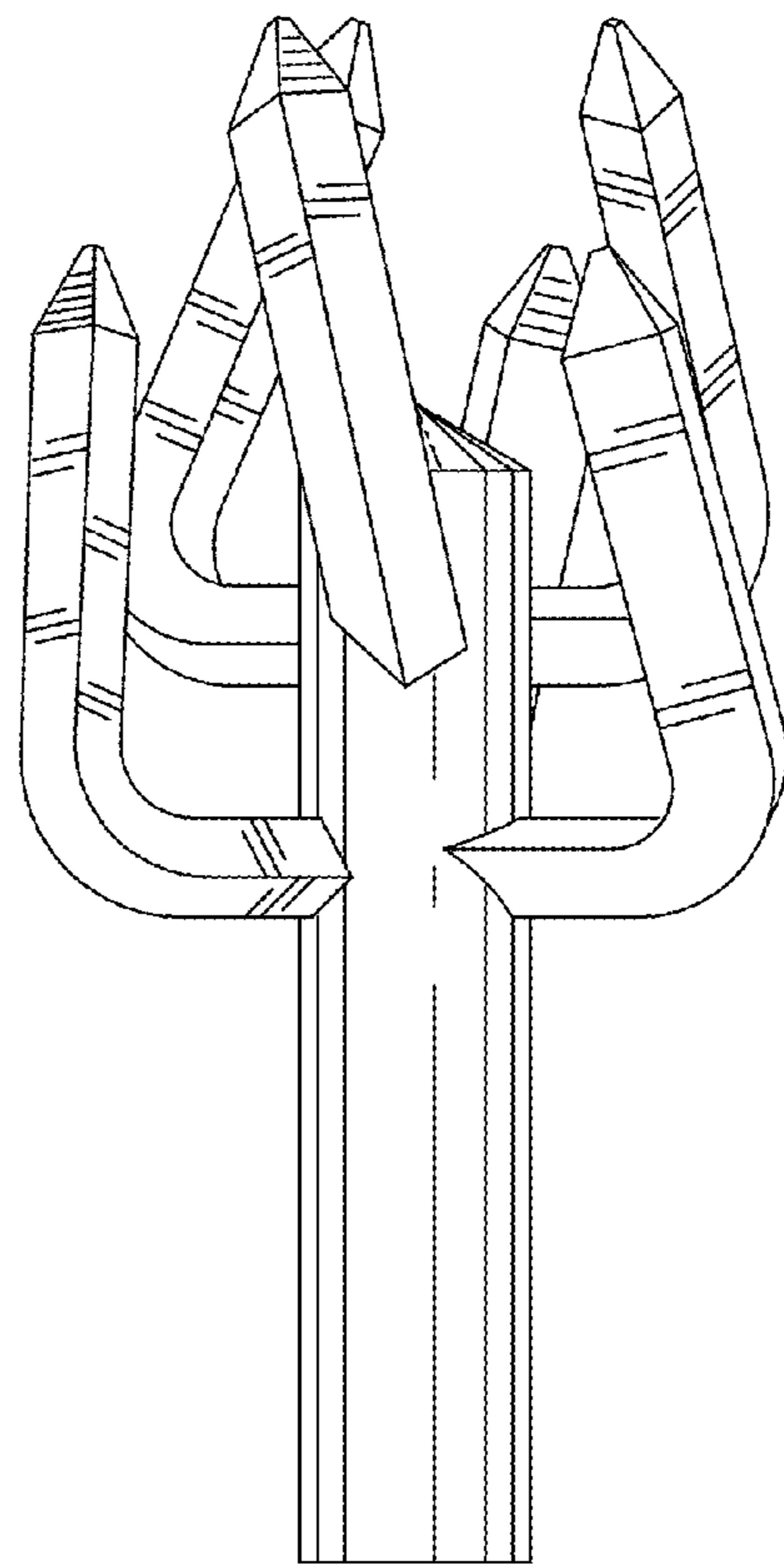


FIG. 5

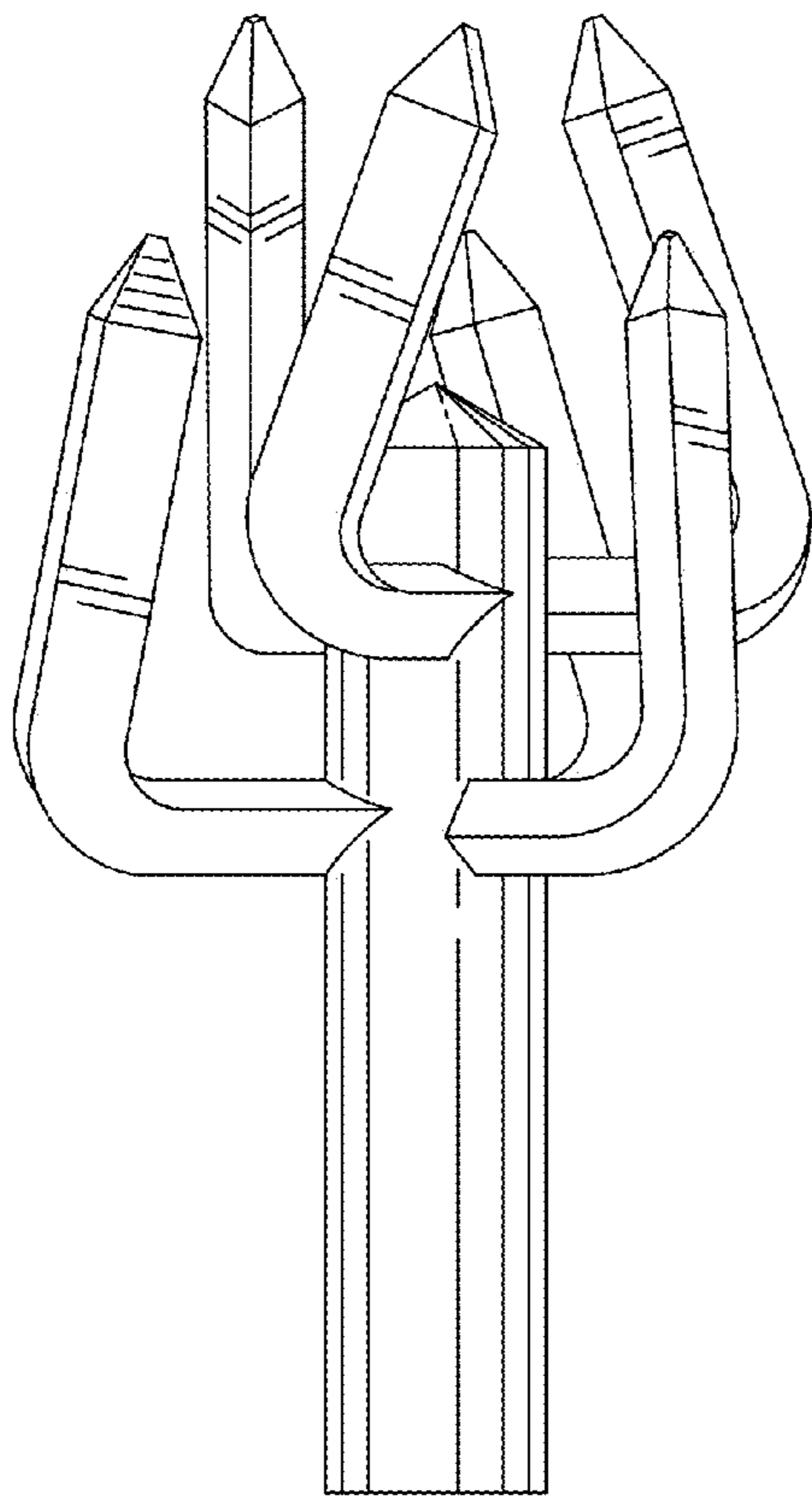


FIG. 6

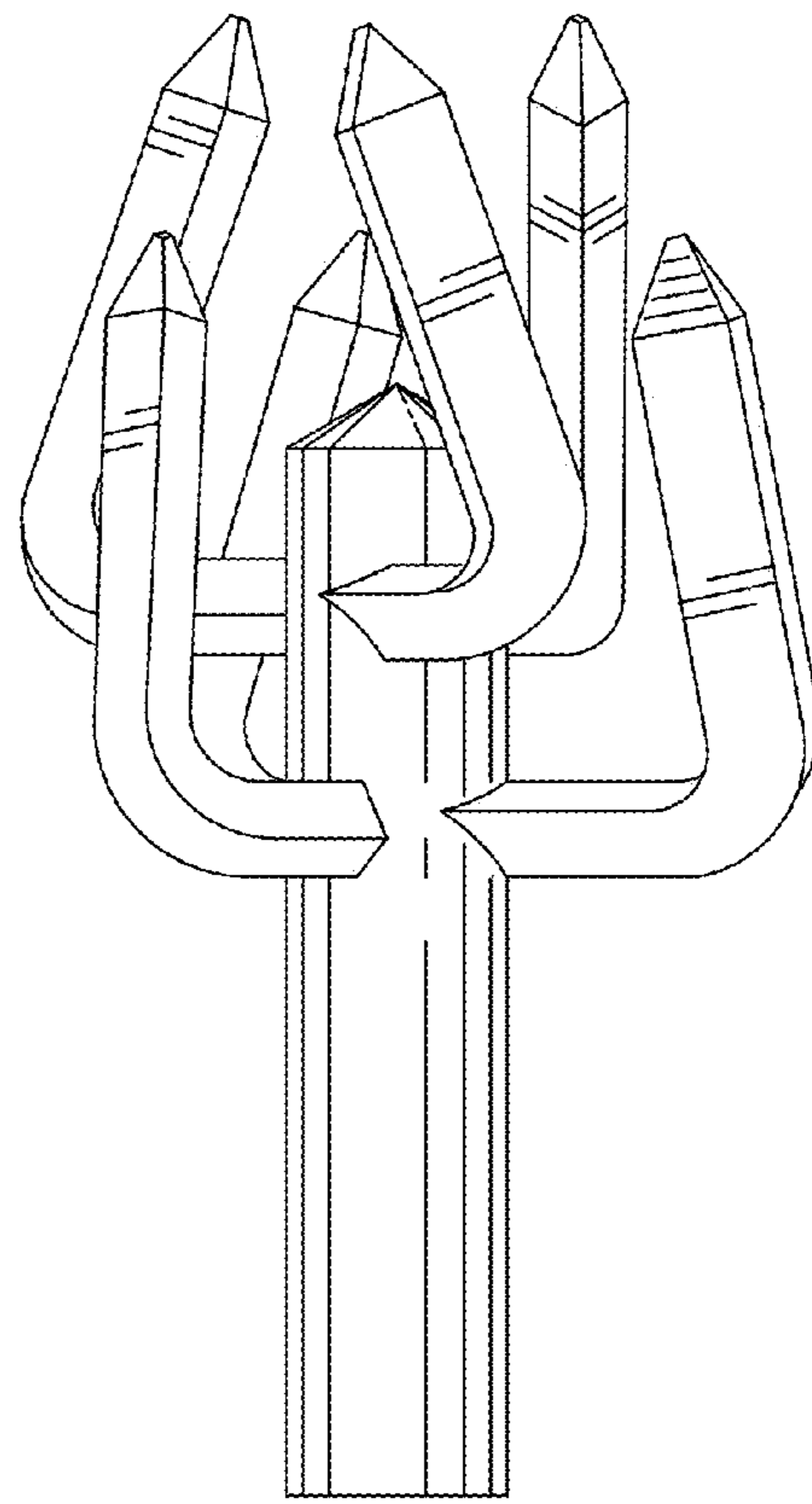


FIG. 7