



US00D749136S

(12) **United States Design Patent**  
**Williams et al.**

(10) **Patent No.:** **US D749,136 S**  
(45) **Date of Patent:** **\*\* Feb. 9, 2016**

(54) **COMPOSITE DIFFERENTIAL PLENUM**

(71) Applicant: **Eaton Corporation**, Cleveland, OH  
(US)

(72) Inventors: **Kelly A. Williams**, South Lyon, MI  
(US); **Javed A. Mapkar**, Farmington  
Hills, MI (US); **Gregory L. Heatwole**,  
Marshall, MI (US); **Daniel S. Frazier**,  
Kalamazoo, MI (US)

(73) Assignee: **Eaton Corporation**, Cleveland, OH  
(US)

(\*\*) Term: **15 Years**

(21) Appl. No.: **29/530,633**

(22) Filed: **Jun. 18, 2015**

**Related U.S. Application Data**

(62) Division of application No. 29/426,304, filed on Jul. 3,  
2012, now Pat. No. Des. 735,758.

(51) **LOC (10) Cl.** ..... **15-01**

(52) **U.S. Cl.**  
USPC ..... **D15/5**

(58) **Field of Classification Search**  
USPC ..... D15/1-6, 148, 149, 199; 192/85.02,  
192/103 F, 85, 88, 70, 11; D12/160, 159;  
475/226, 220, 149, 150, 151, 152, 153,  
475/154, 249, 248, 231; 180/305  
See application file for complete search history.

(56) **References Cited**

**U.S. PATENT DOCUMENTS**

3,490,312 A \* 1/1970 Dehart ..... F16H 48/08  
192/103 F

6,719,362 B1 4/2004 Johnson et al.  
6,814,399 B2 11/2004 Johnson et al.  
7,063,198 B2 \* 6/2006 Fratta ..... F16D 25/0638  
192/103 F  
7,341,136 B2 3/2008 Park  
2007/0077379 A1 4/2007 Passera et al.

**FOREIGN PATENT DOCUMENTS**

WO WO 2008/025133 3/2008

\* cited by examiner

*Primary Examiner* — T. Chase Nelson

*Assistant Examiner* — Ania Aman

(74) *Attorney, Agent, or Firm* — Dierker & Associates, P.C.

(57) **CLAIM**

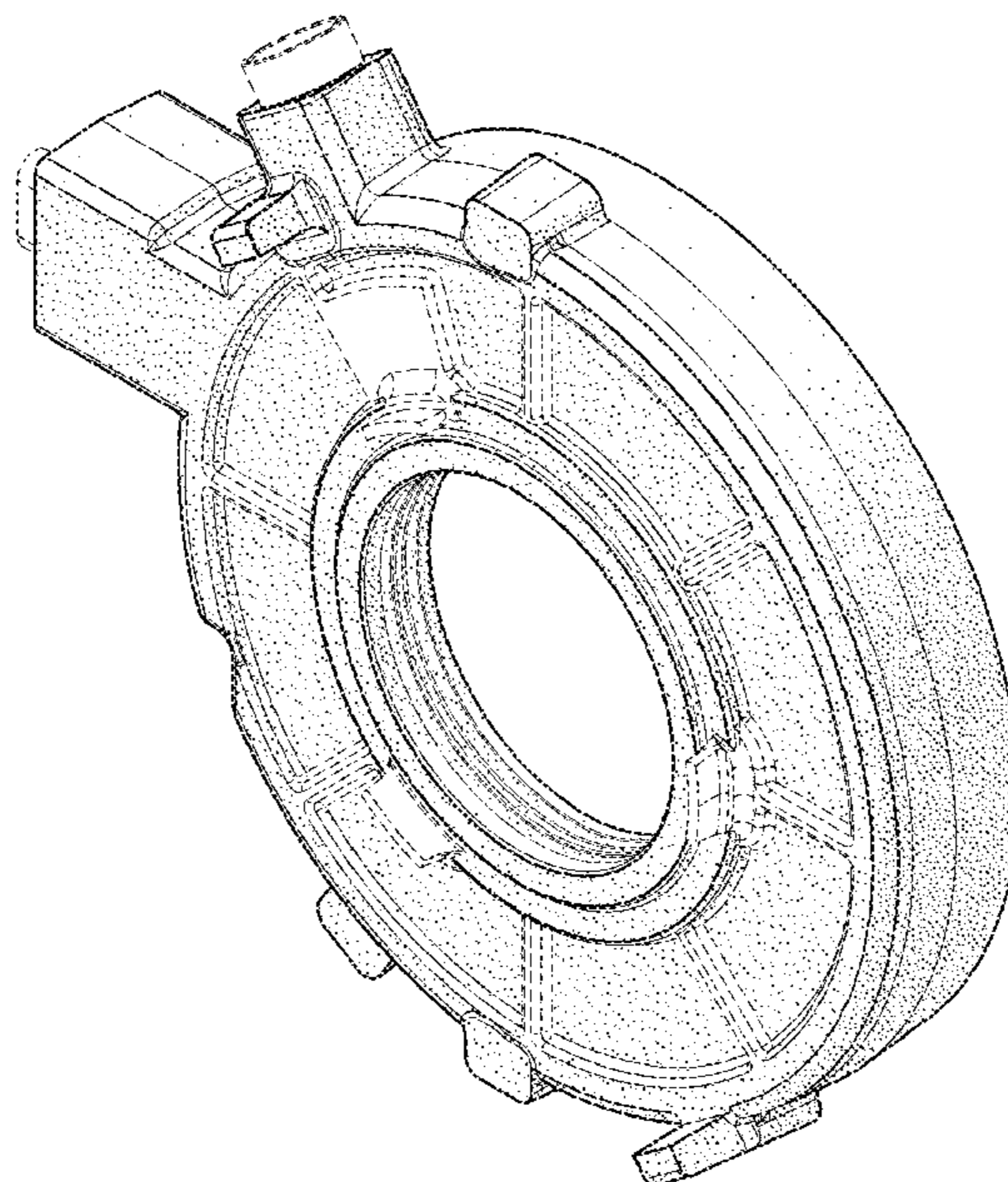
The ornamental design for a composite differential plenum,  
as shown and described.

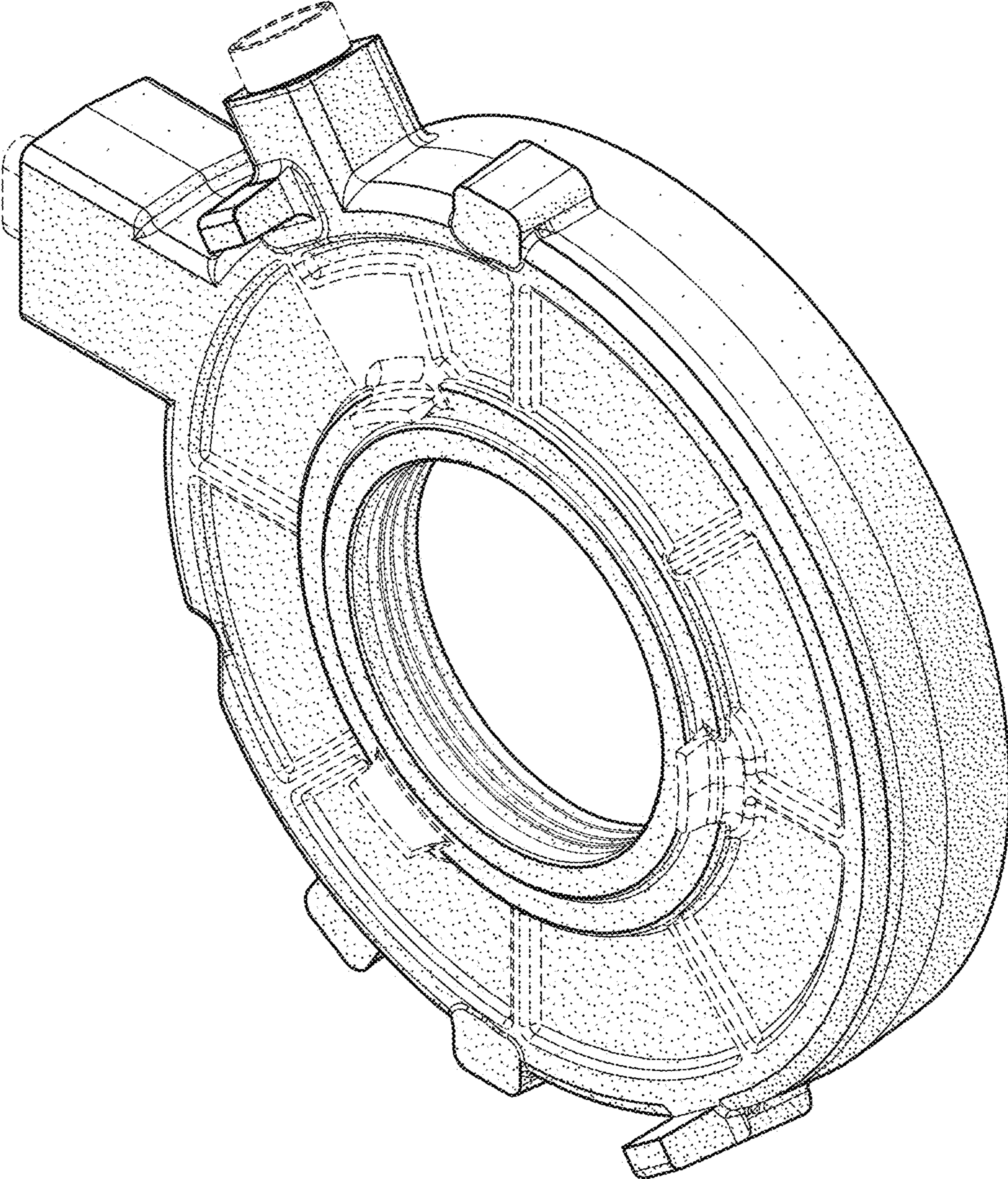
**DESCRIPTION**

FIG. 1 is a front perspective view of a composite differential  
plenum showing our new design;  
FIG. 2 is a rear perspective view of FIG. 1, but rotated 180°;  
FIG. 3 is a rear elevation view of FIG. 2;  
FIG. 4 is a front elevation view of FIG. 3;  
FIG. 5 is a right side elevation view of FIG. 3;  
FIG. 6 is a left side elevation view of FIG. 3;  
FIG. 7 is a top plan view, rotated 90° clockwise, of FIG. 3;  
and,  
FIG. 8 is a bottom plan view, rotated 90° counterclockwise, of  
FIG. 3.

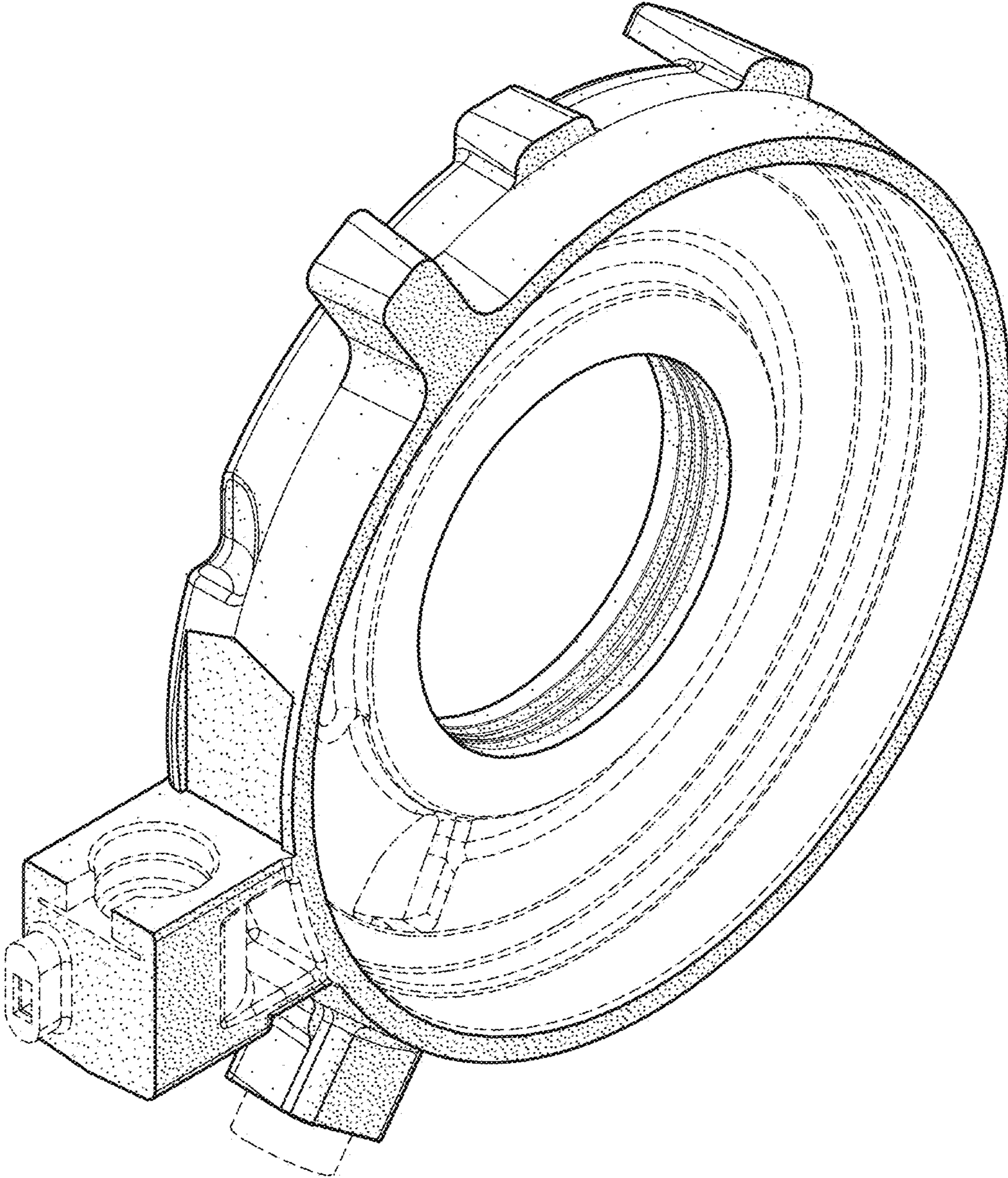
The broken lines shown in the drawings are for the purpose of  
illustrating portions of the article and form no part of the  
claimed design.

**1 Claim, 6 Drawing Sheets**

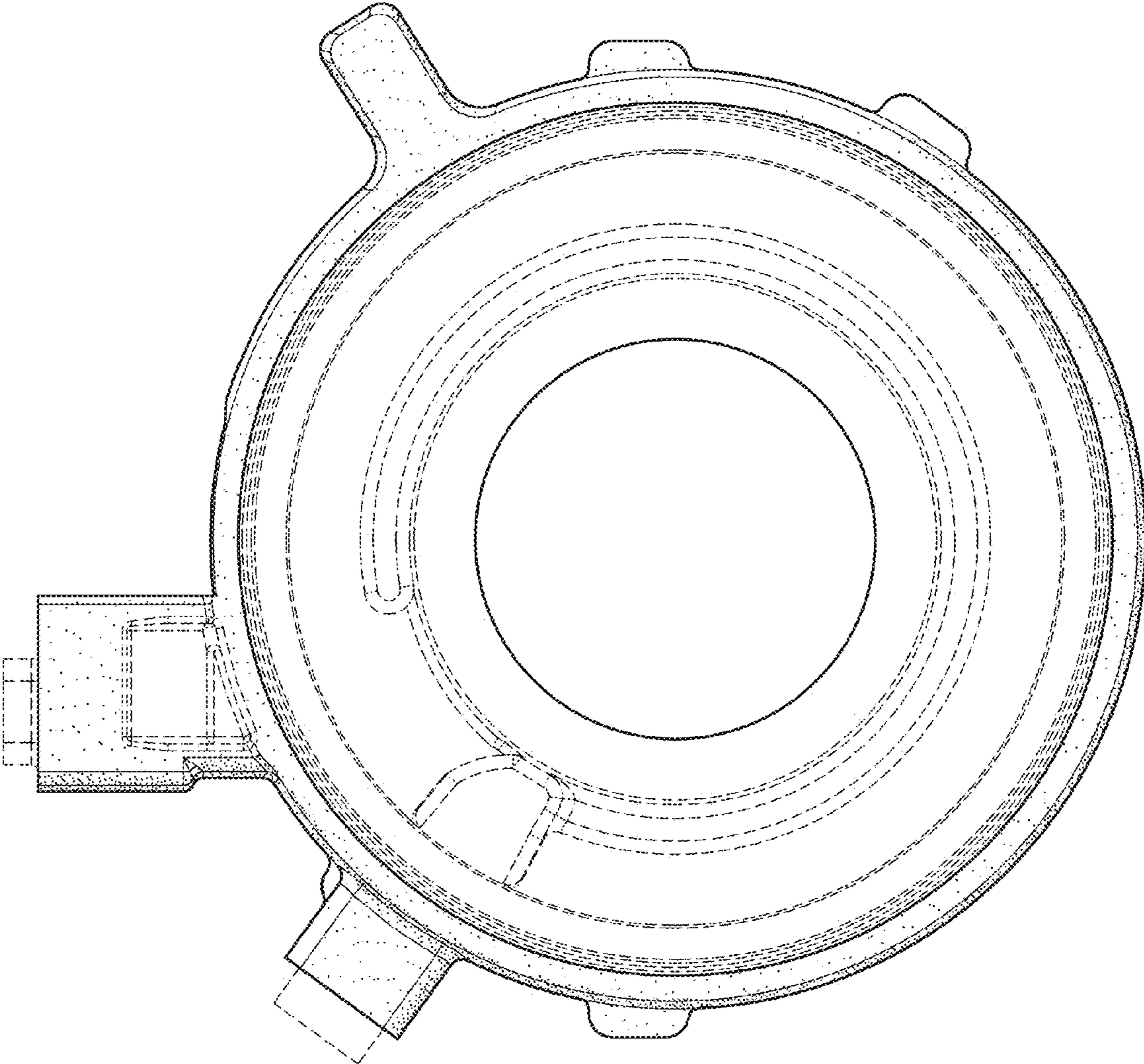




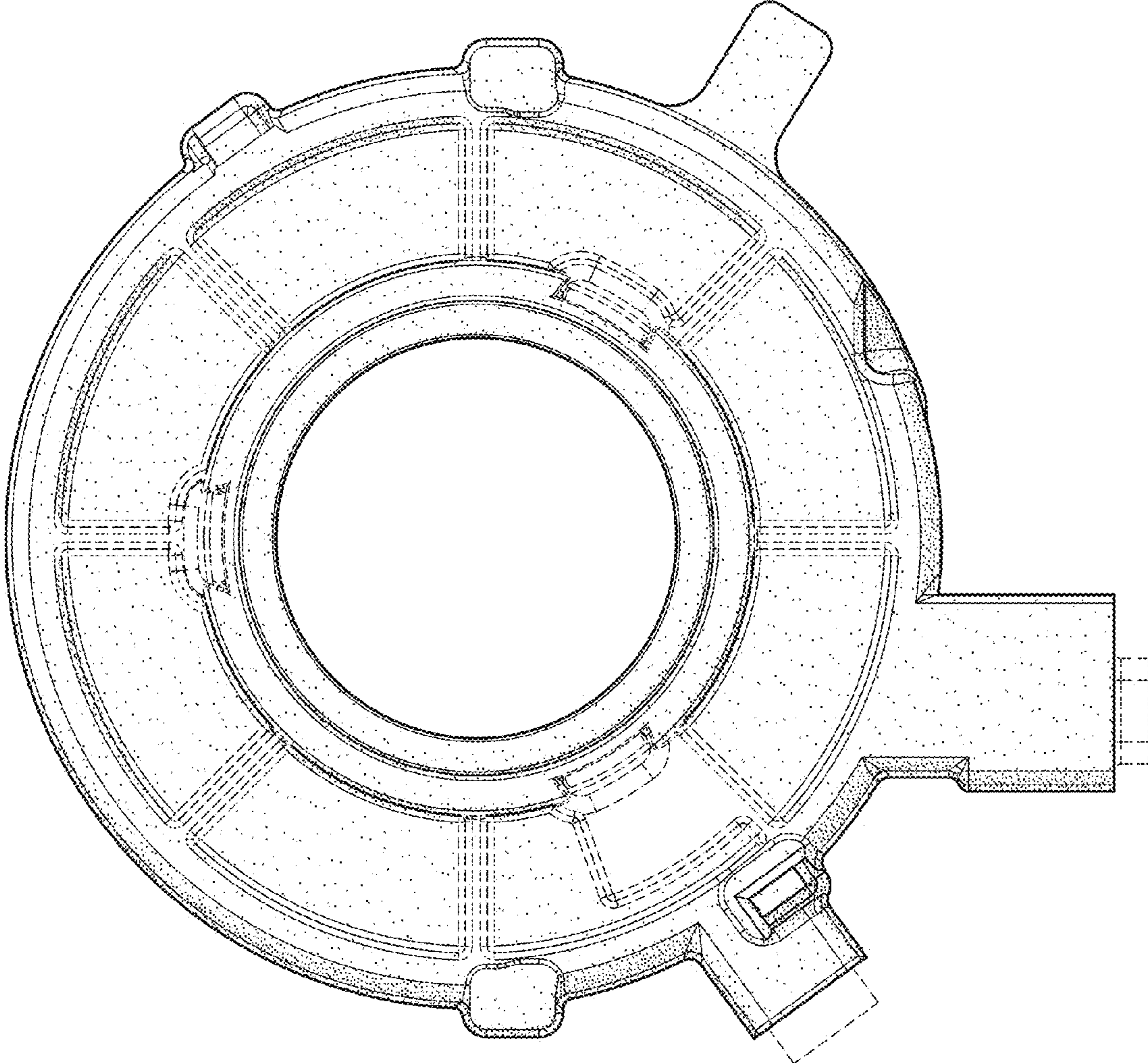
**FIG. 1**



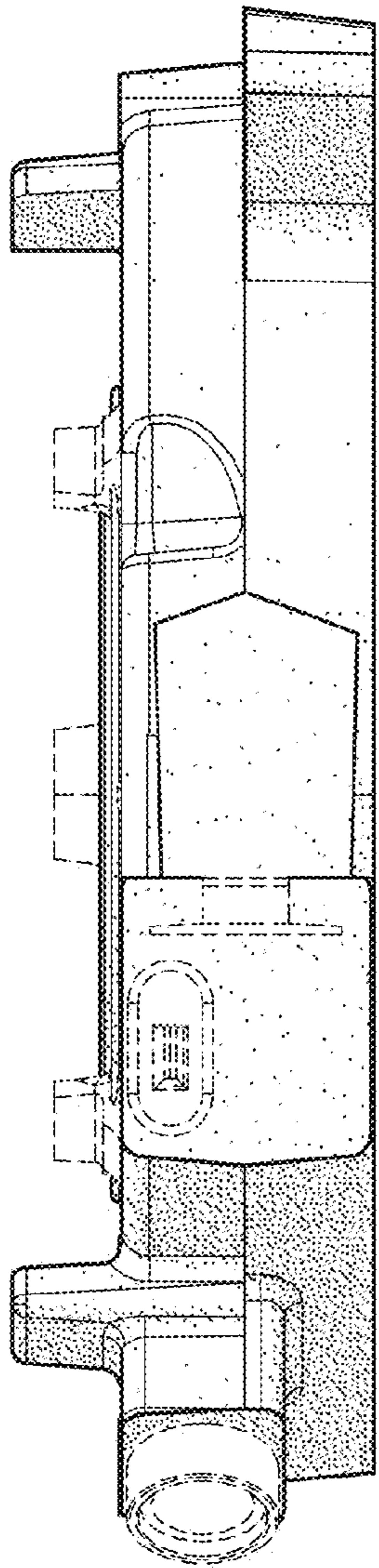
**FIG. 2**



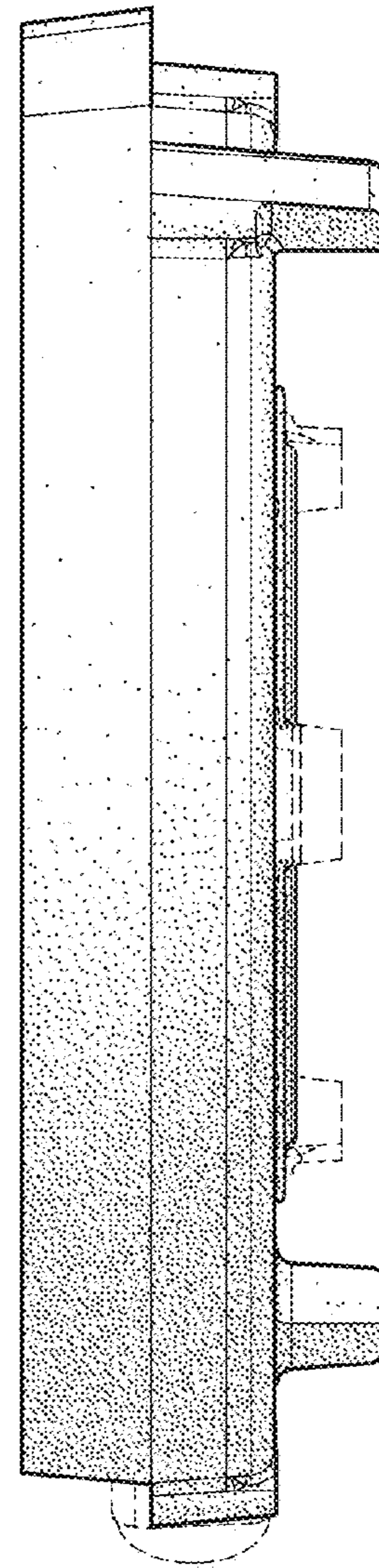
**FIG. 3**



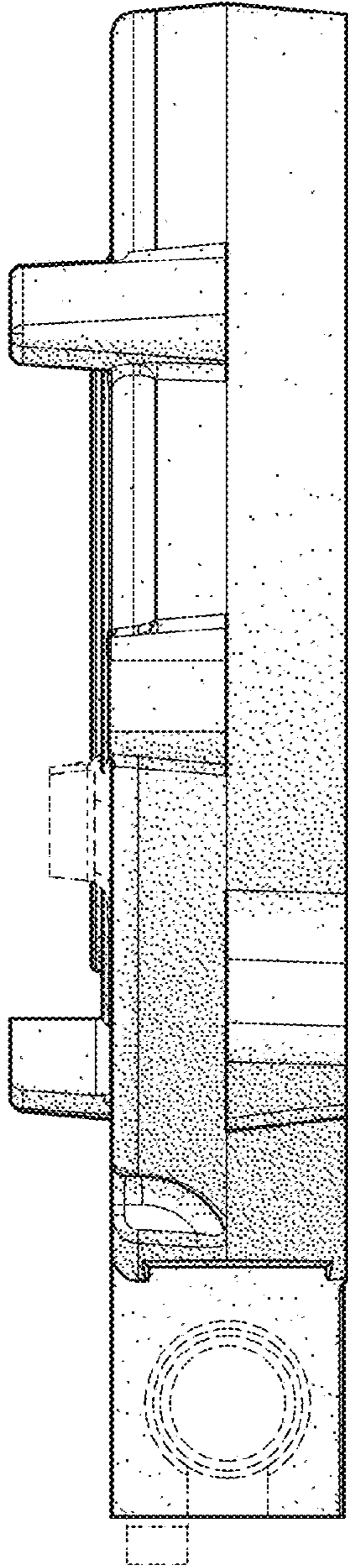
**FIG.4**



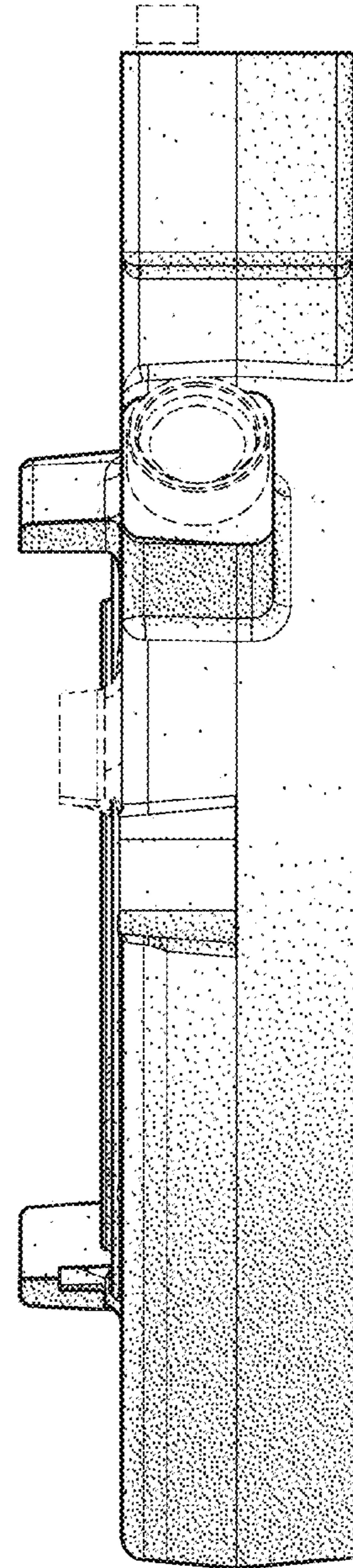
**FIG. 5**



**FIG. 6**



**FIG. 7**



**FIG. 8**