



US00D749082S

(12) **United States Design Patent**
Jung et al.

(10) **Patent No.:** **US D749,082 S**

(45) **Date of Patent:** **** Feb. 9, 2016**

(54) **STAND FOR TELEVISION RECEIVER**

(71) Applicant: **Samsung Electronics Co., Ltd.**,
Suwon-si, Gyeonggi-do (KR)

(72) Inventors: **Min Joon Jung**, Seoul (KR); **Chul-Yong Cho**, Seoul (KR); **Jae Wook Yoo**, Seoul (KR)

(73) Assignee: **SAMSUNG ELECTRONICS CO., LTD.** (KR)

(**) Term: **14 Years**

(21) Appl. No.: **29/494,329**

(22) Filed: **Jun. 19, 2014**

(30) **Foreign Application Priority Data**

Dec. 23, 2013 (KR) 30-2013-0064946

(51) **LOC (10) Cl.** **08-07**

(52) **U.S. Cl.**
USPC **D14/451**

(58) **Field of Classification Search**

USPC D14/371-382, 125-129, 336, 337,
D14/447-452, 492, 335, 376-382, 239, 457,
D14/439-441, 432, 251-252, 227, 315;
D8/349, 354, 363, 373, 376, 380;
D21/333; D12/415; D3/218; 348/180,
348/184, 325, 739, 825; 248/323, 278.1,
248/286.1

CPC G06F 3/0412; G06F 3/016; G06F 3/0488;
G06F 3/011; G06F 3/038; G06F 3/03543;
G06F 3/0338; G06F 3/0202; G06F 3/0219;
G06F 3/0213; G06F 1/1616; G06F 3/023;
G06F 3/04883; G02F 1/13338; G02F 1/1313;
G02F 1/1333; G02F 1/135; G02F 1/132;
G02F 1/133308; G02F 1/134309; G02F
7/13718; G02F 1/13718; G09G 3/3648;
G06K 15/1252; G03F 7/70291; B41J 2/465;
G02B 27/0172; G02B 5/30; G02B 2027/0118;
G02B 27/0101; F16M 13/02; F16M 13/00;
F16M 11/10; F16M 11/04; F16M 2200/08;

F16M 11/2021; A47B 21/0314; A47B 88/044;
A47B 2021/0335; H02G 3/126; F16B 47/00;
F16B 47/006; A47G 1/17; A47K 2201/00

See application file for complete search history.

(56) **References Cited**

U.S. PATENT DOCUMENTS

D351,132 S *	10/1994	Brooks	D13/108
D393,625 S *	4/1998	Riccobon	D13/107
D395,280 S *	6/1998	Phelps	D13/108
D584,254 S *	1/2009	Jeon	D14/125
D598,449 S *	8/2009	Landry	D14/358
D624,898 S *	10/2010	Hasegawa	D14/149

(Continued)

Primary Examiner — Deanna L Pratt

Assistant Examiner — Katie Mroczka

(74) *Attorney, Agent, or Firm* — Cantor Colburn LLP

(57) **CLAIM**

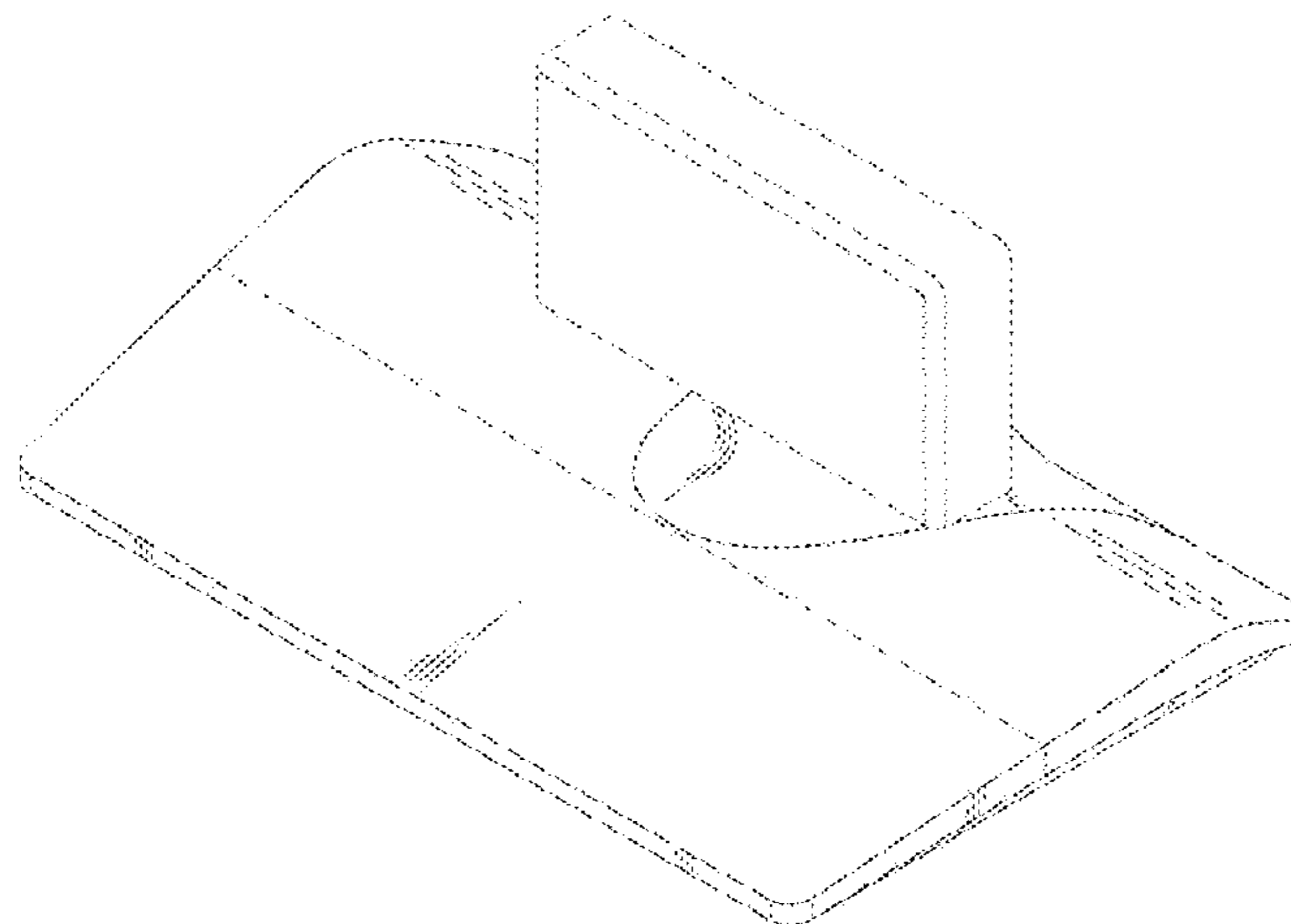
We claim, the ornamental design for a stand for television receiver, as shown and described.

DESCRIPTION

FIG. 1 is a front perspective view of a stand for television receiver showing our new design;
FIG. 2 is a front elevation view thereof;
FIG. 3 is a rear elevation view thereof;
FIG. 4 is a side elevation view thereof;
FIG. 5 is another side elevation view thereof;
FIG. 6 is a top plan view thereof;
FIG. 7 is a bottom plan view thereof;
FIG. 8 is a rear perspective view thereof; and,
FIG. 9 is a front perspective view thereof as shown in a television environment.

The broken line showing of the monitor in FIGS. 9 is for environmental purposes only and forms no part of the claimed design. The remainder of the broken lines in FIGS. 1, 2 and 6-9 show portions of the stand for television receiver which form no part of the claimed design.

1 Claim, 9 Drawing Sheets



(56)

References Cited

U.S. PATENT DOCUMENTS

D633,490 S * 3/2011 Kim D14/315
D637,983 S * 5/2011 Kim D14/125
D644,192 S * 8/2011 McManigal D14/125
D678,238 S * 3/2013 Furuno D14/150

D718,748 S * 12/2014 Pan D14/159
D723,526 S * 3/2015 Yoo D14/239
D728,537 S * 5/2015 Choi D14/239
2006/0262232 A1* 11/2006 Kuwajima G06F 1/1601
348/836

* cited by examiner

Fig. 1

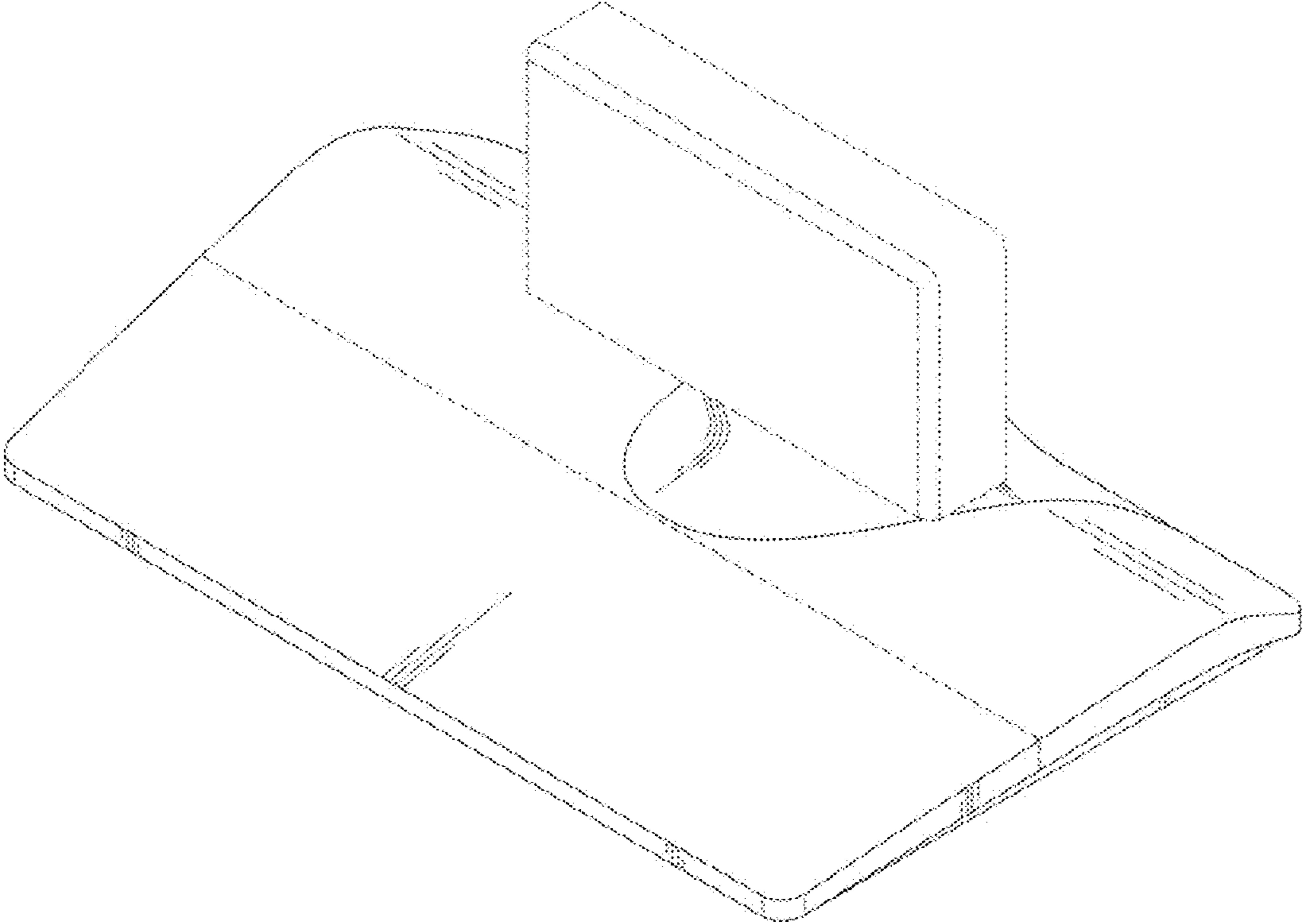


Fig. 2

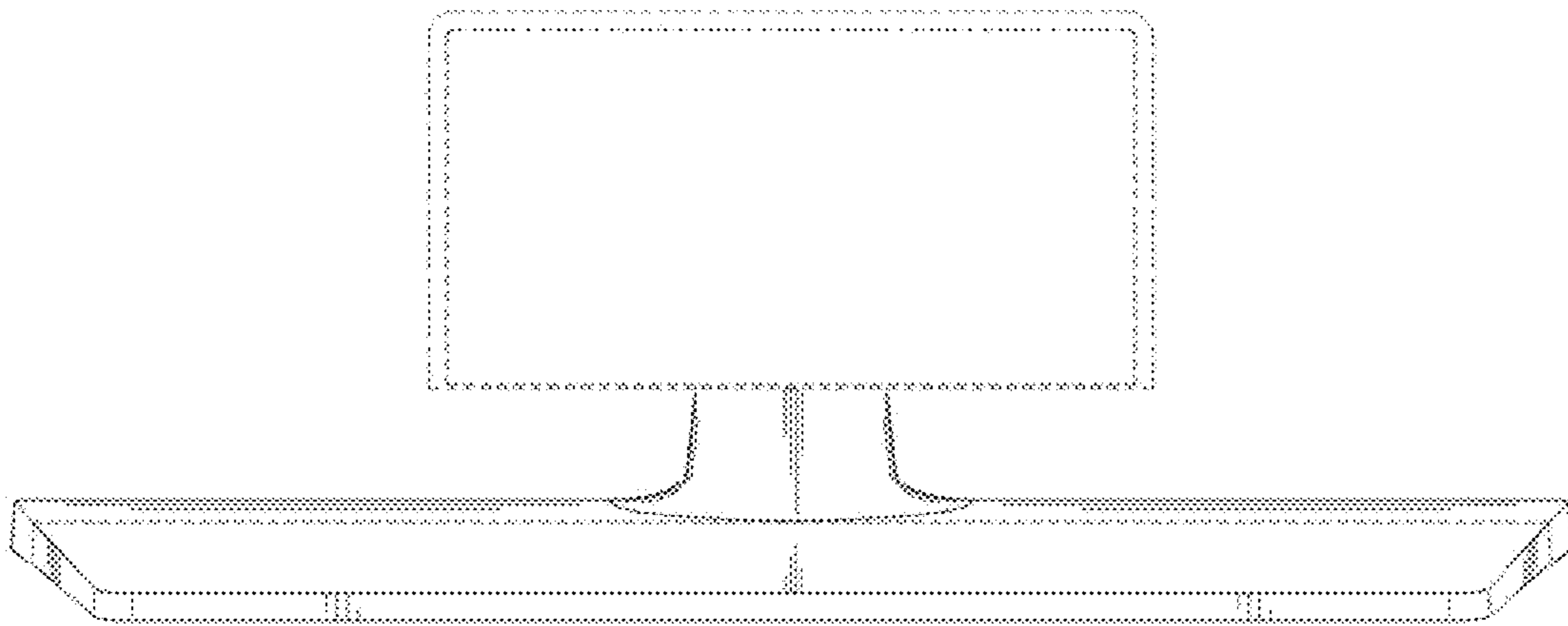


Fig. 3

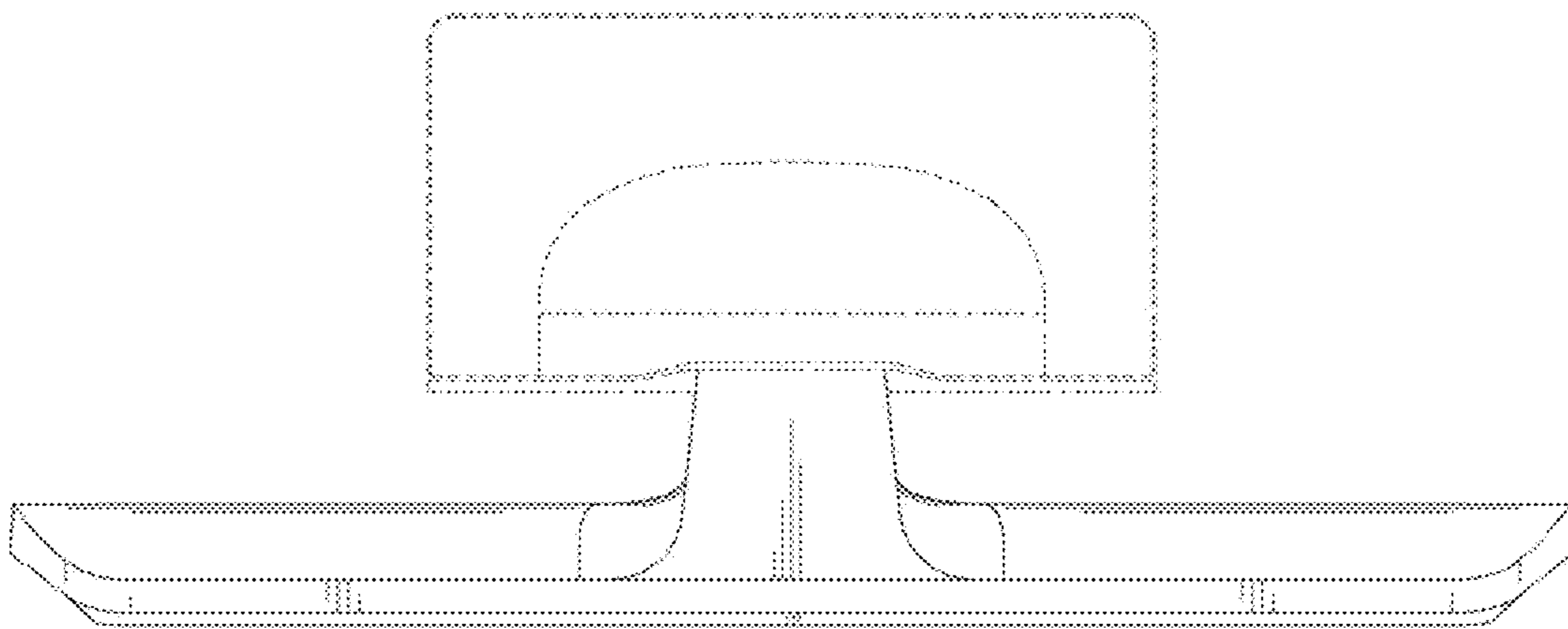


Fig. 4

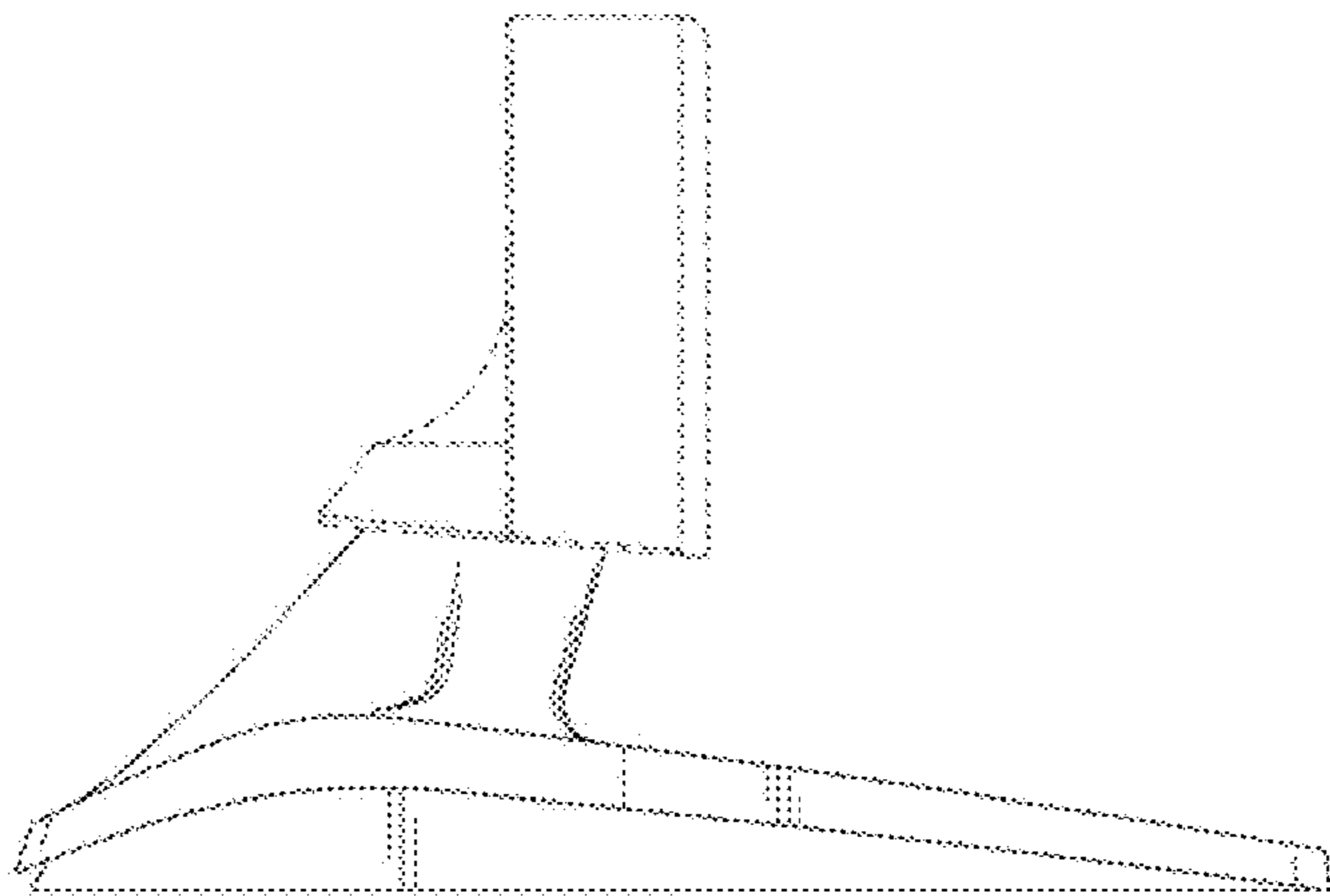


Fig. 5

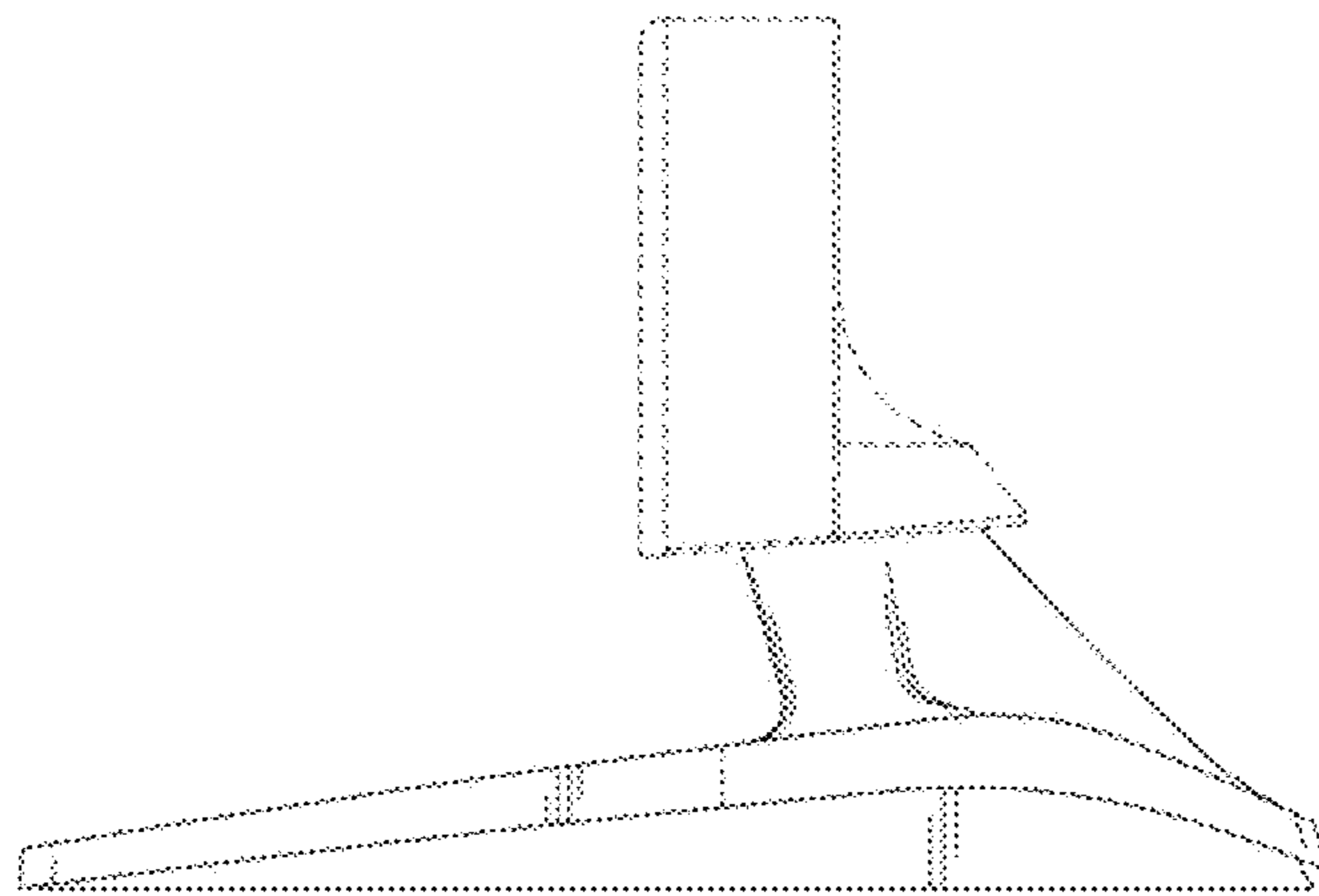


Fig. 6

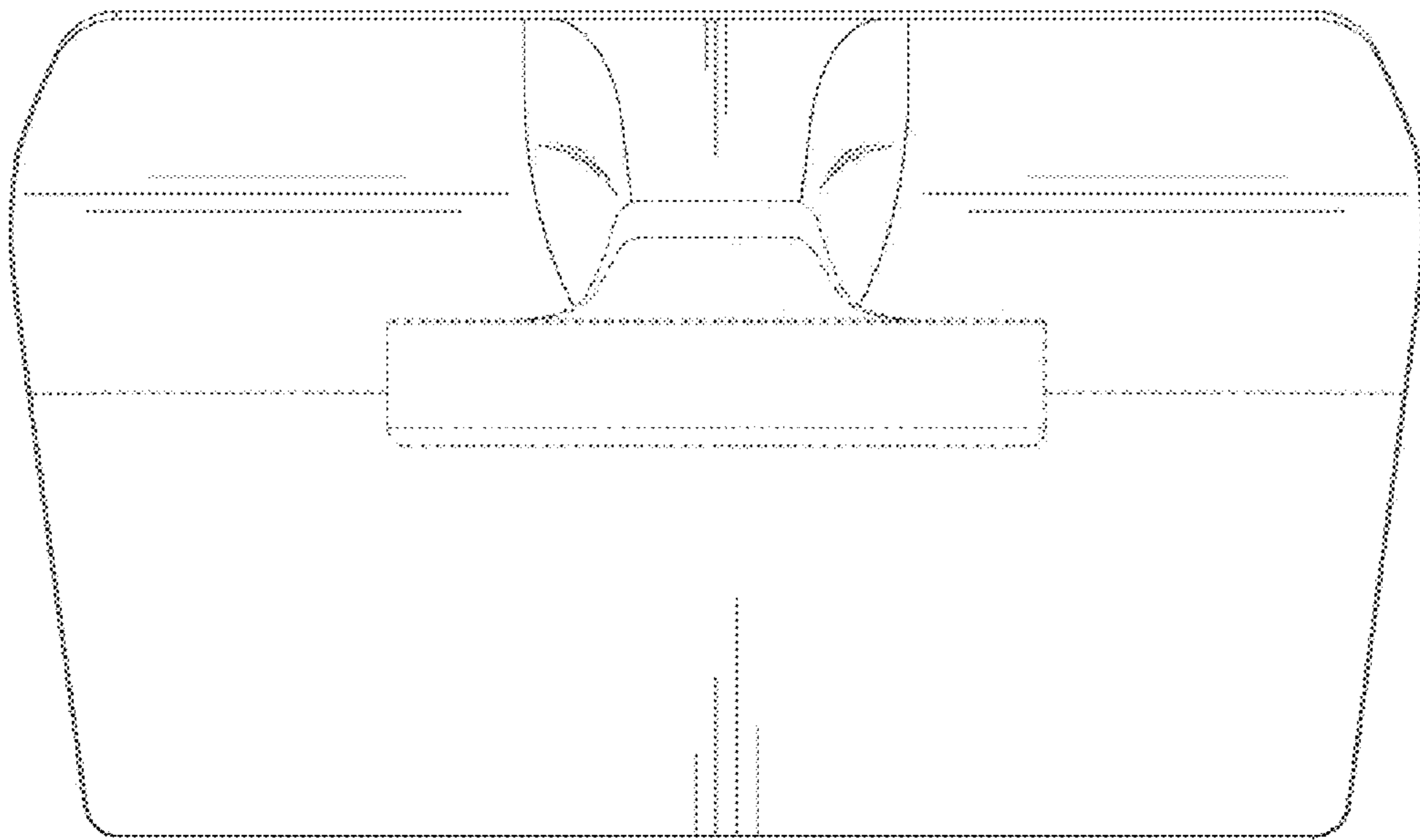


Fig. 7

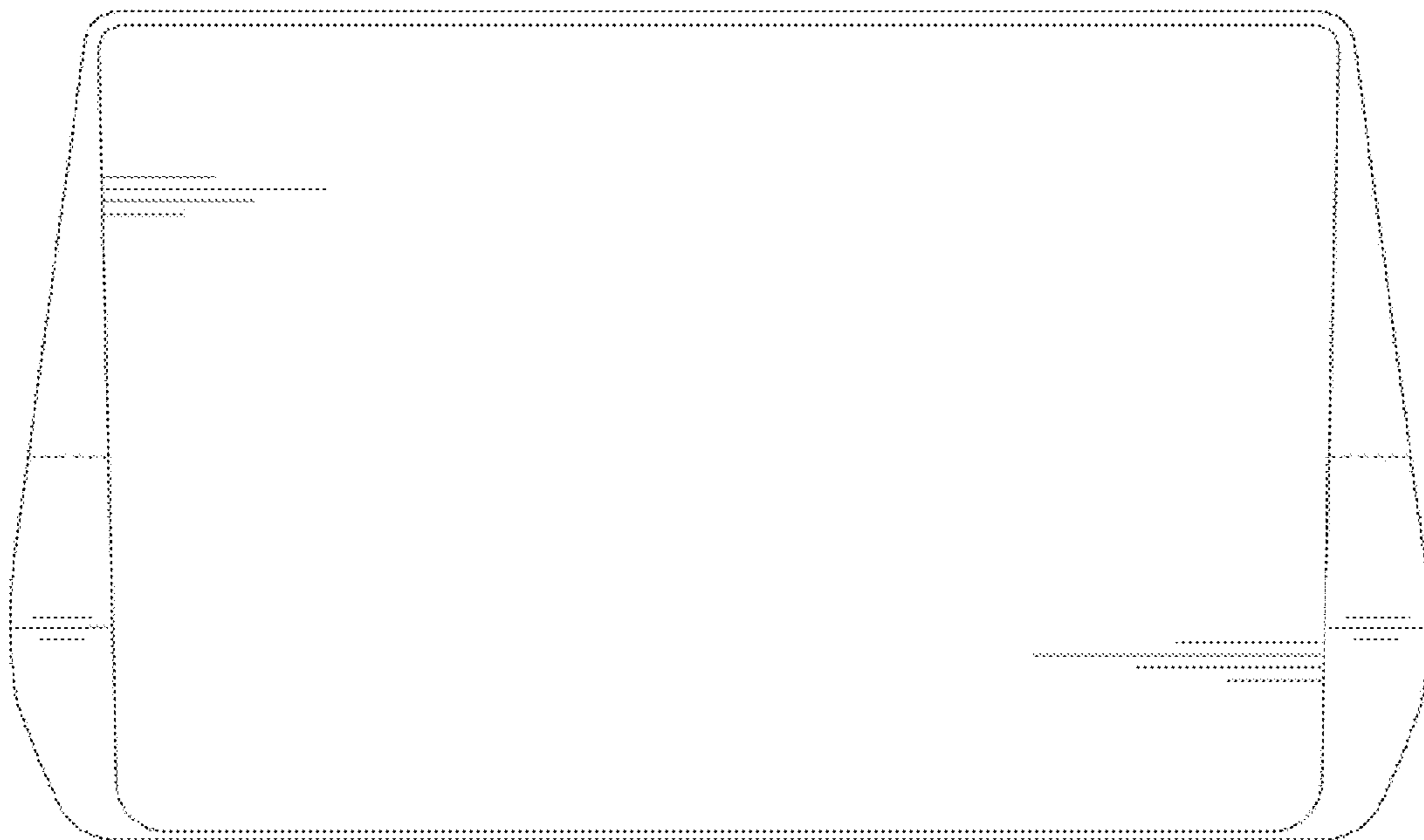


Fig. 8

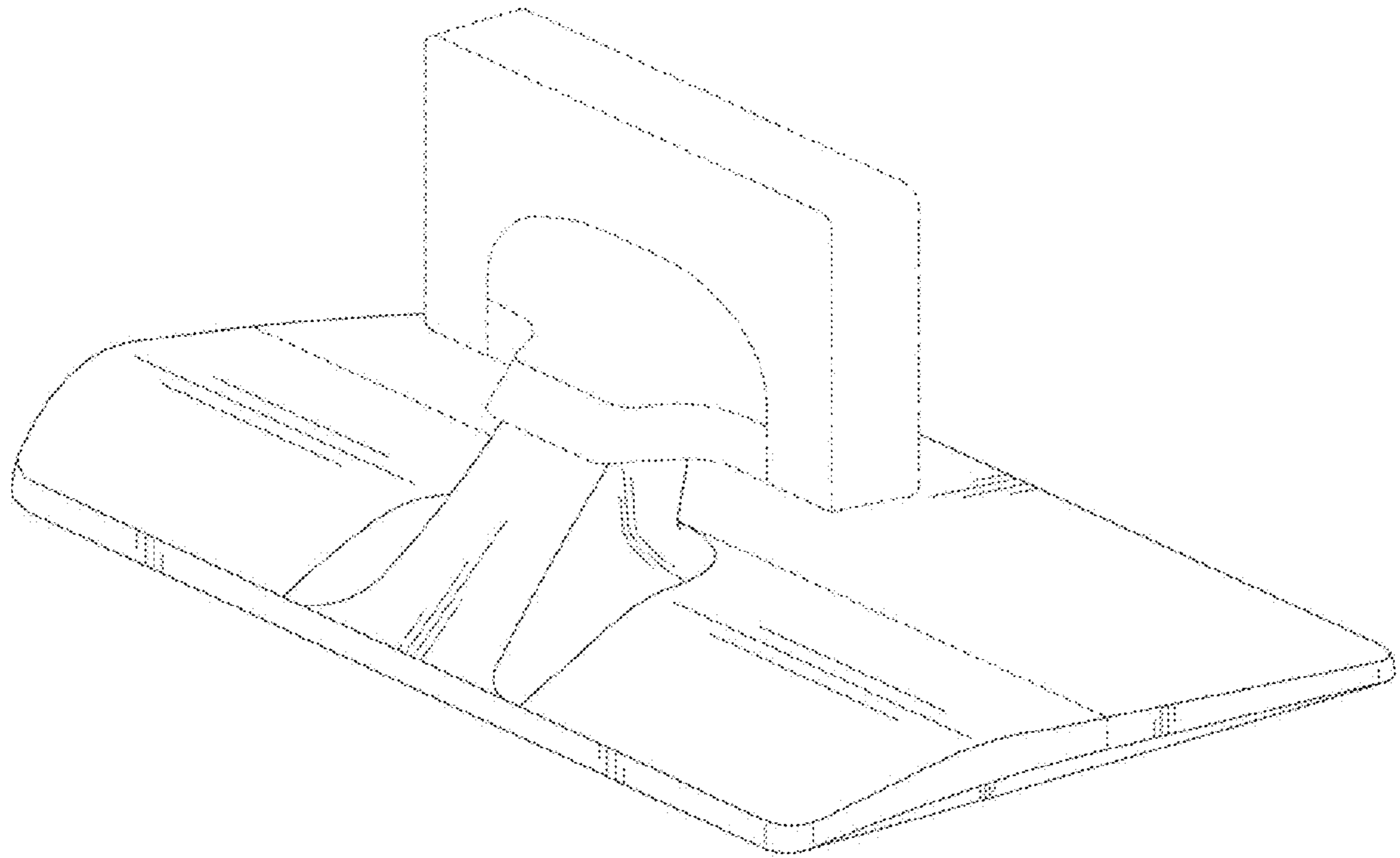


Fig. 9

